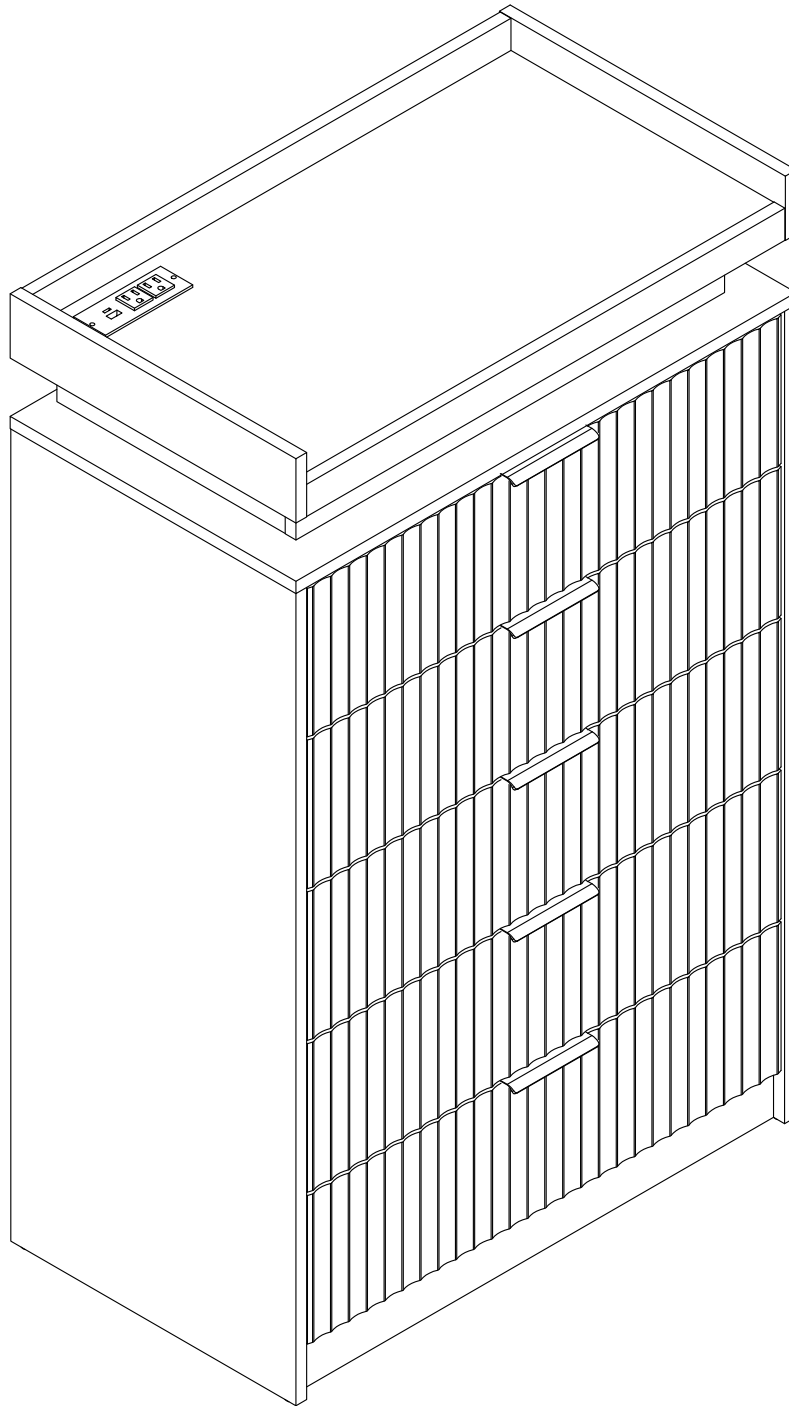
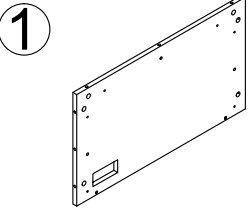
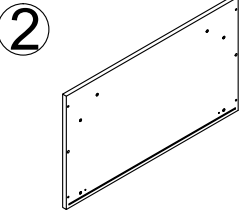
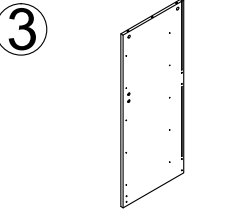
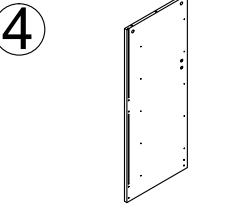
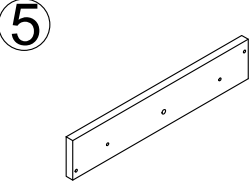
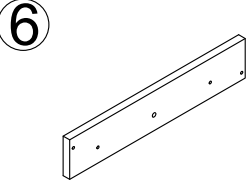
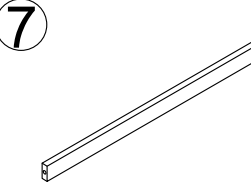
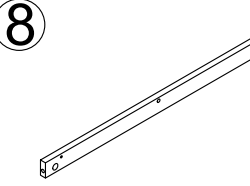
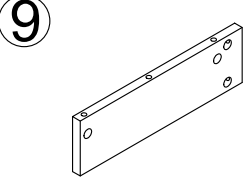
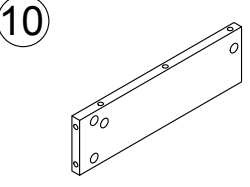
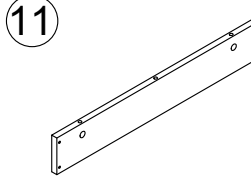
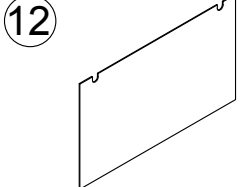
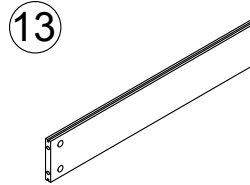
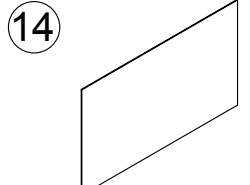
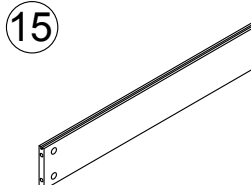
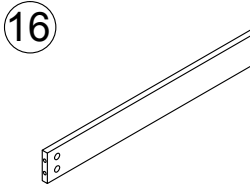
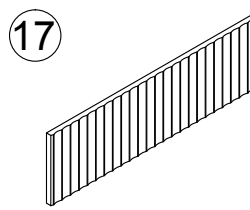
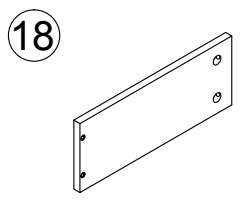
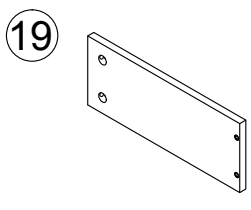
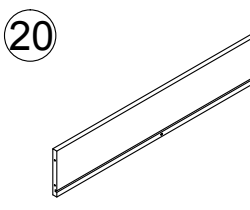
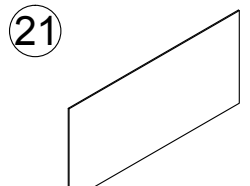
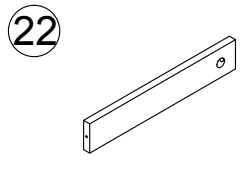
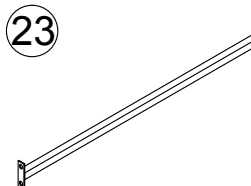








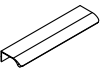





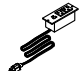

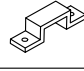

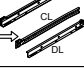

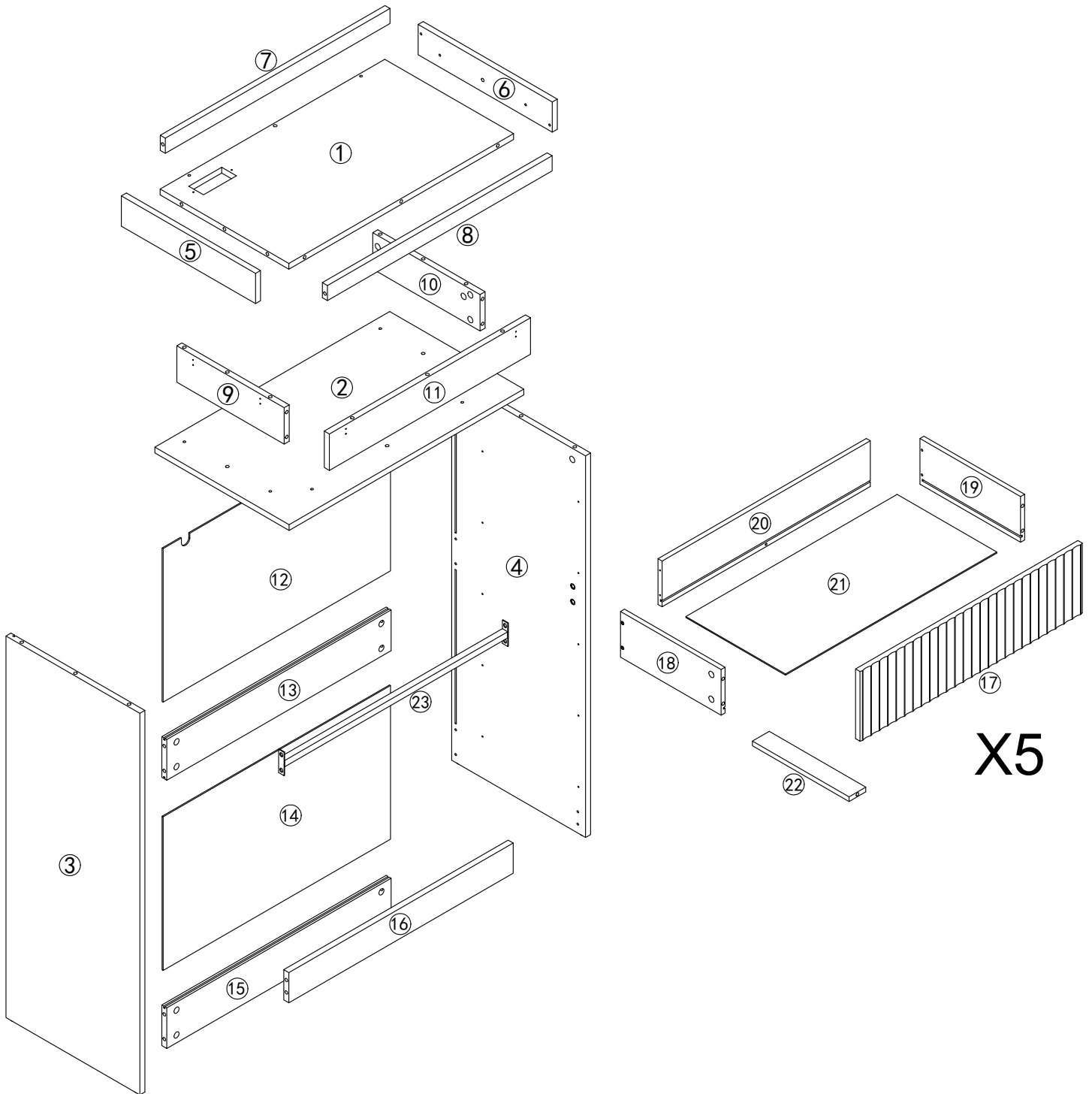


Assembly Instruction

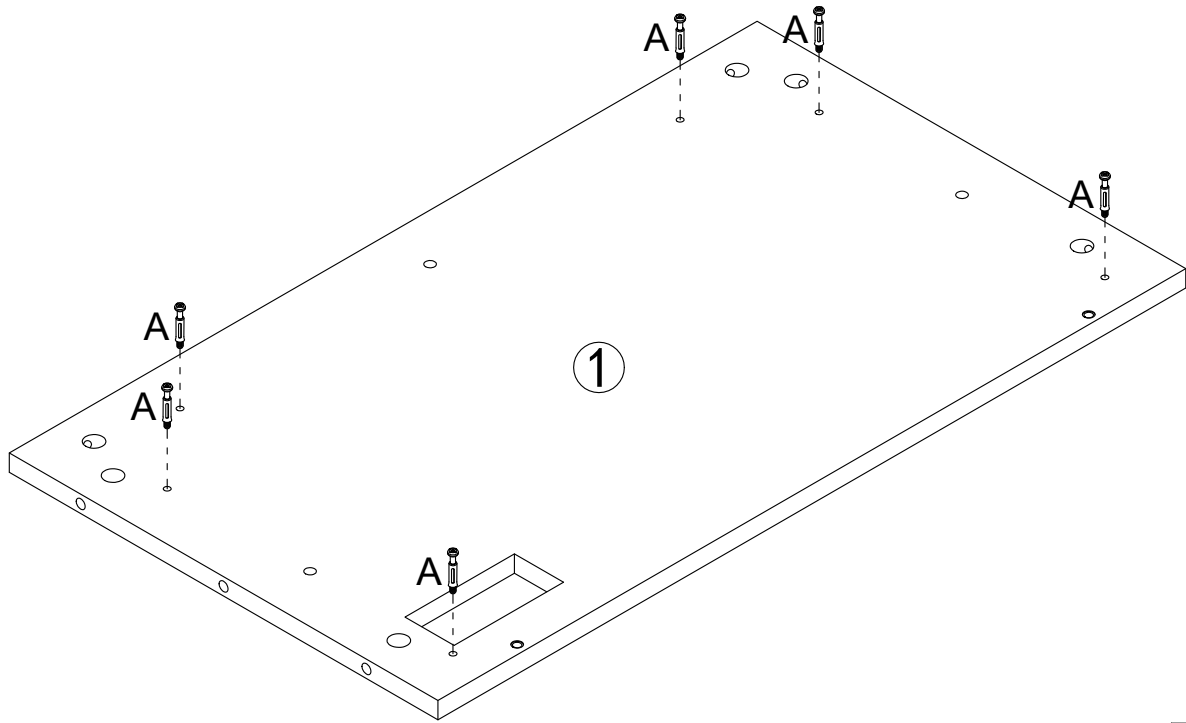



			
1PC	1PC	1PC	1PC
			
1PC	1PC	1PC	1PC
			
1PC	1PC	1PC	1PC
			
1PC	1PC	1PC	1PC
			
5PCS	5PCS	5PCS	5PCS
			
5PCS	5PCS	5PCS	

A	X61	B	X61	C	X62	D	X8	E	X1	F	X8	G	X12	H	X8
															
M6x35mm		Ø15x9mm		M3.5x12mm		M3x16mm		4mm		M5x40mm		Ø8x30mm			
I	X5	J	X27	K	X2	M	X2	N	X2	O	X4	P	X1	Q	X12
															
		M4x35mm		Ø6x30mm				M4x12mm		M6x12mm				M3x14mm	
S	X6	T	X1	L	X5	R	X5								
															
				CL DL		DR CR									

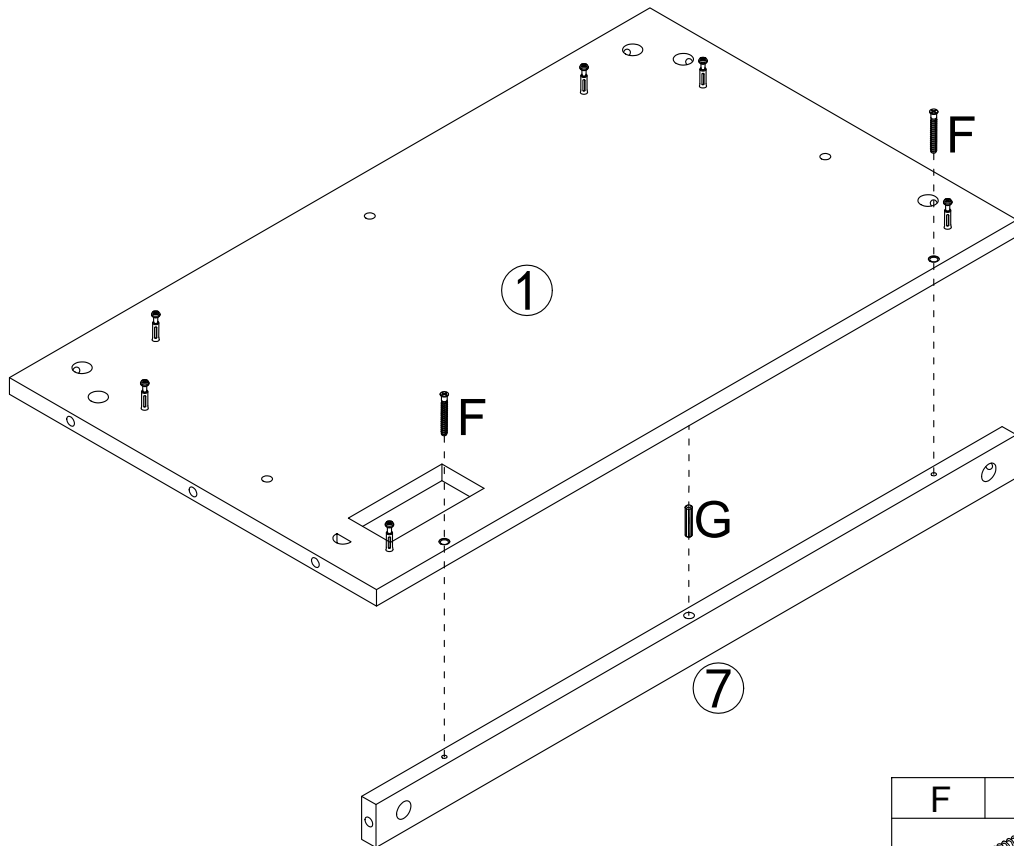



1




A	x6
	
M6x35mm	

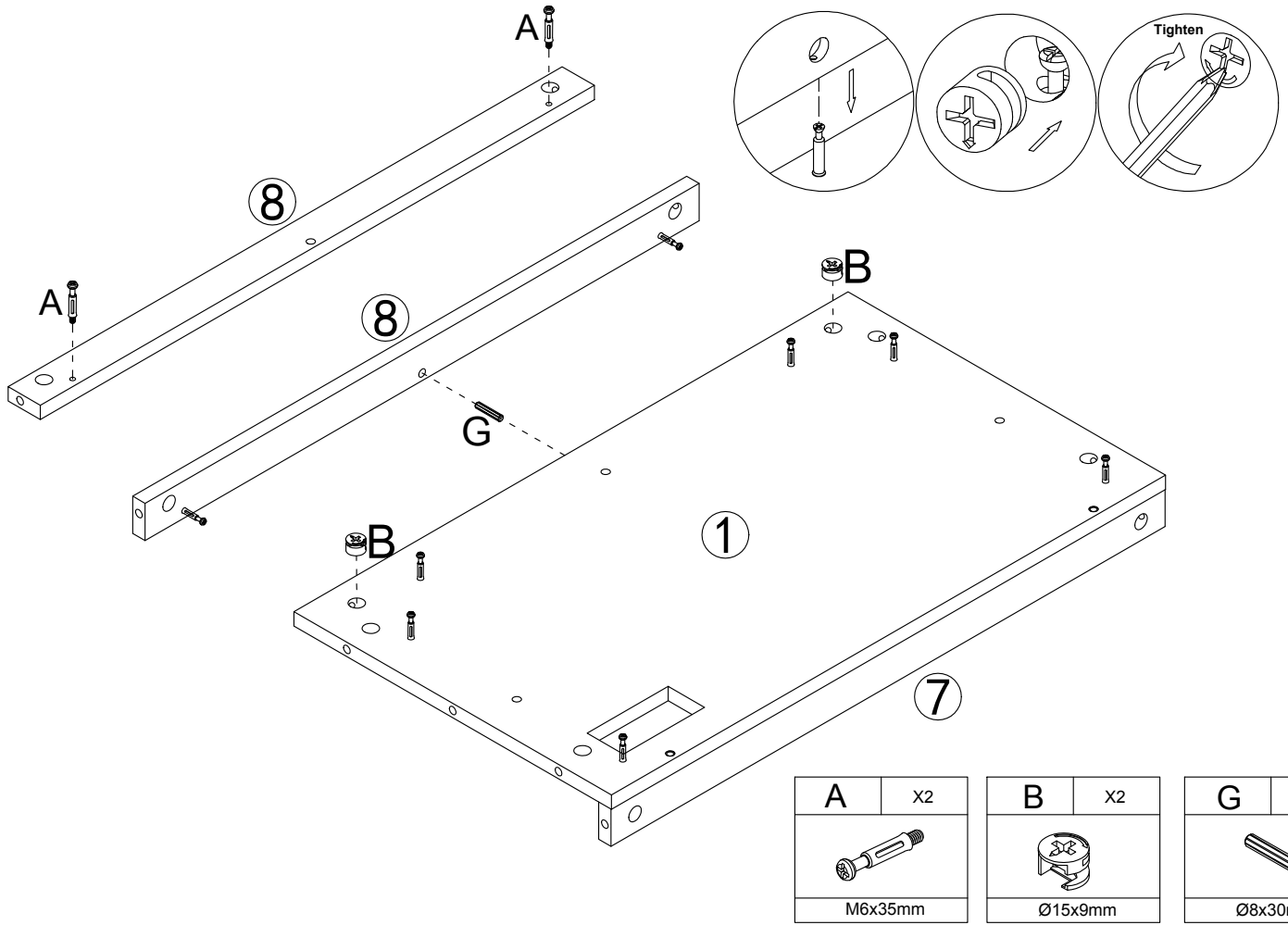
2



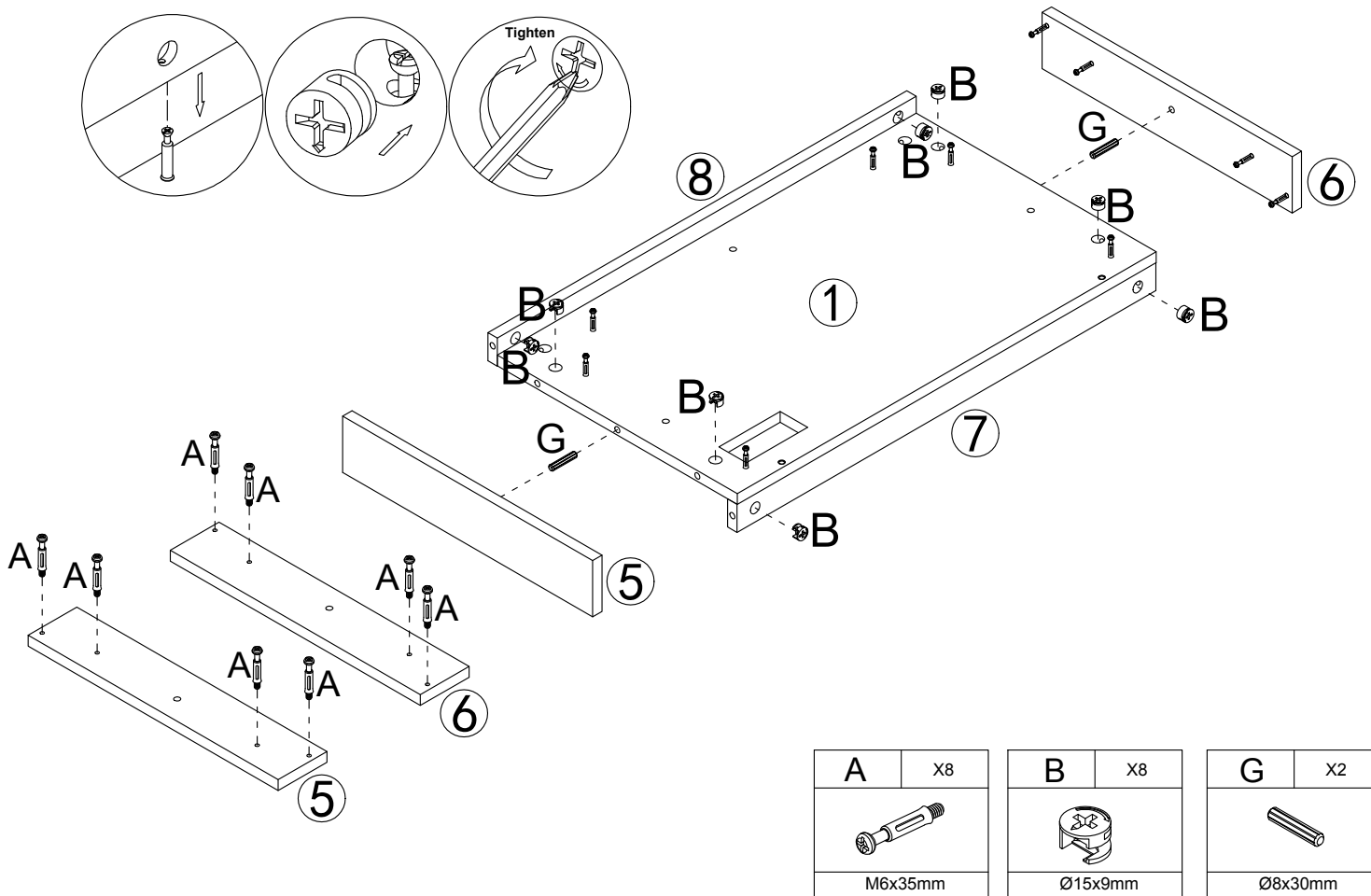
F	x2
	
M5x40mm	

G	x1
	
Ø8x30mm	

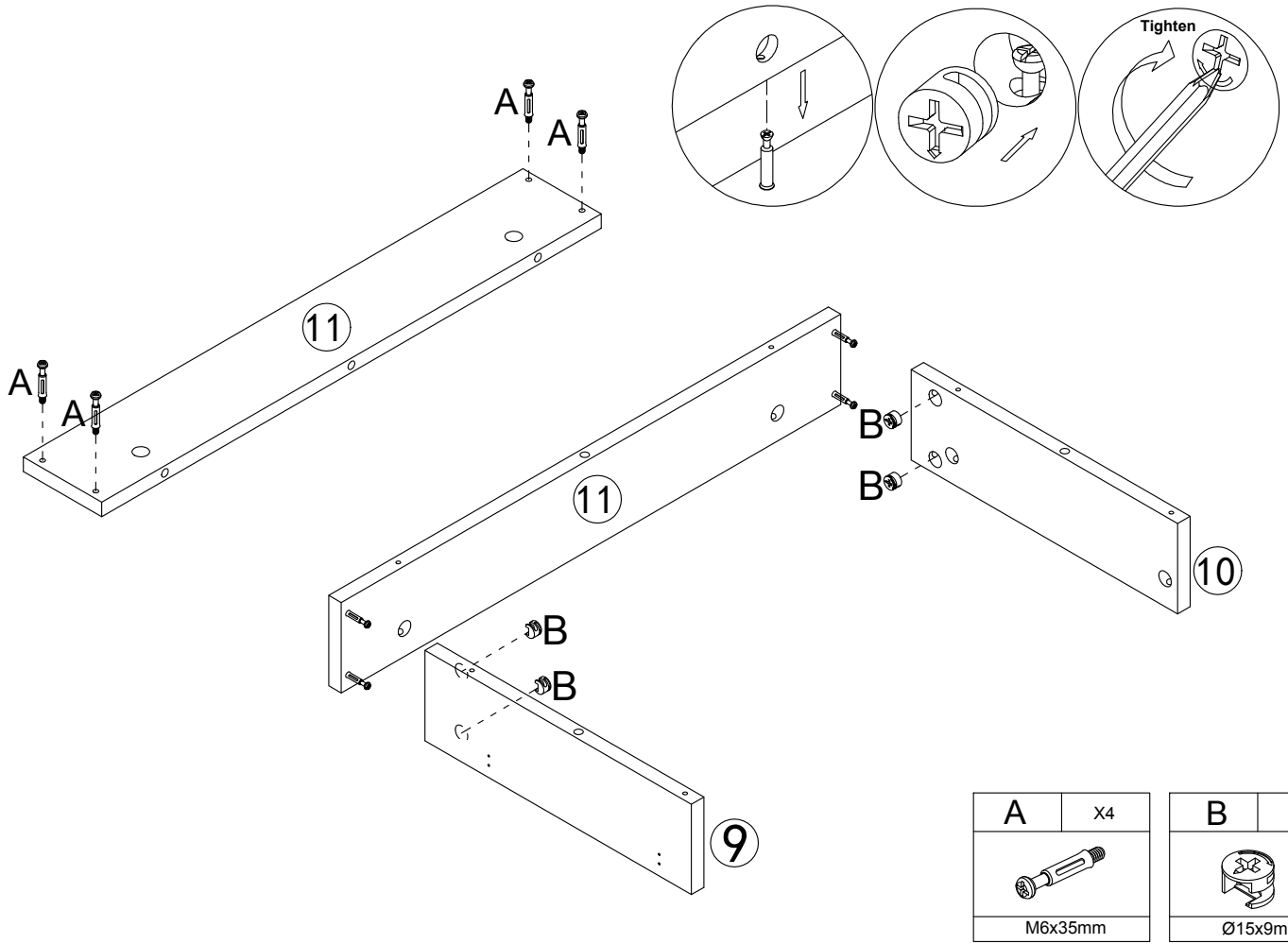
3



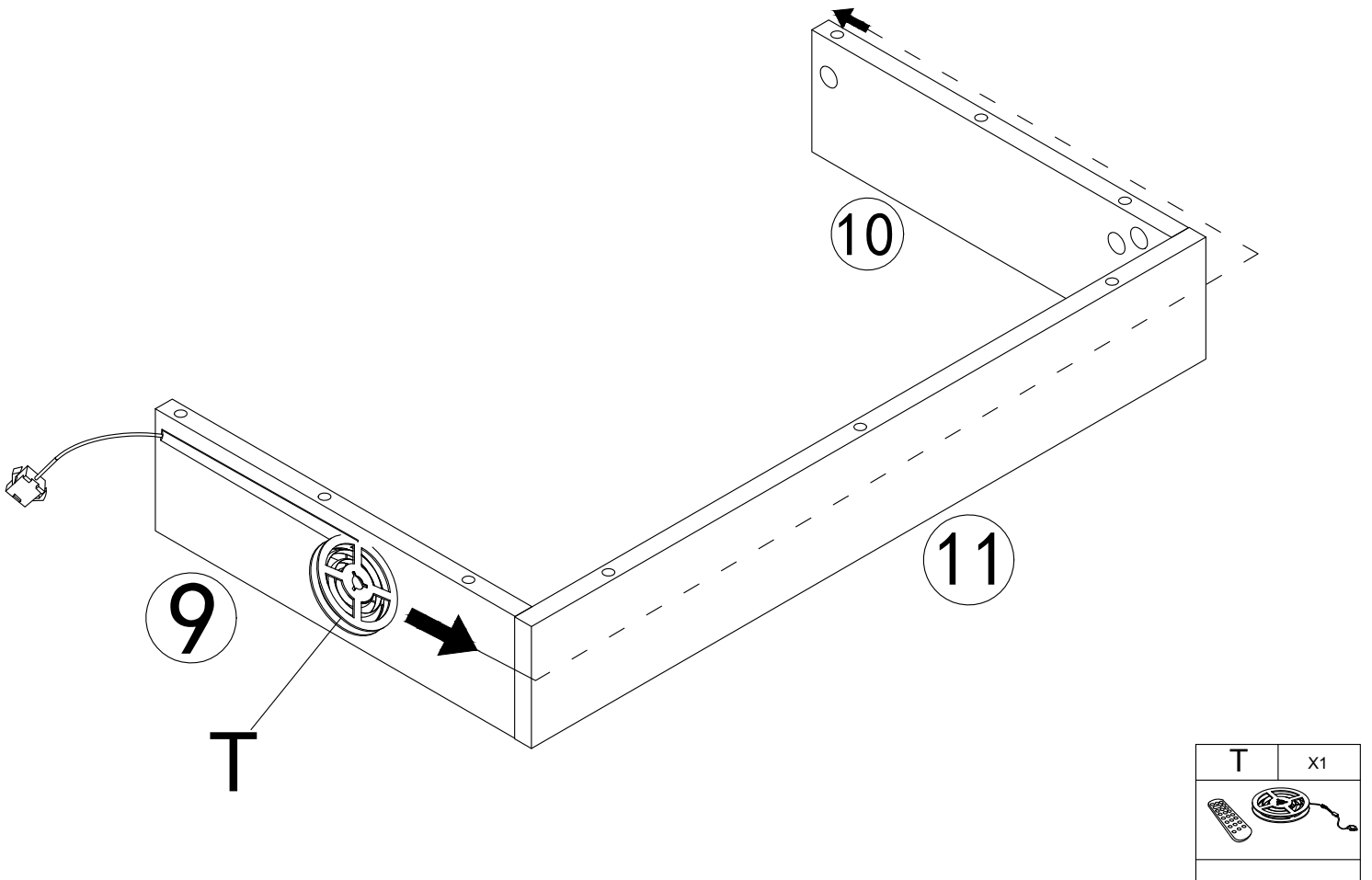
4



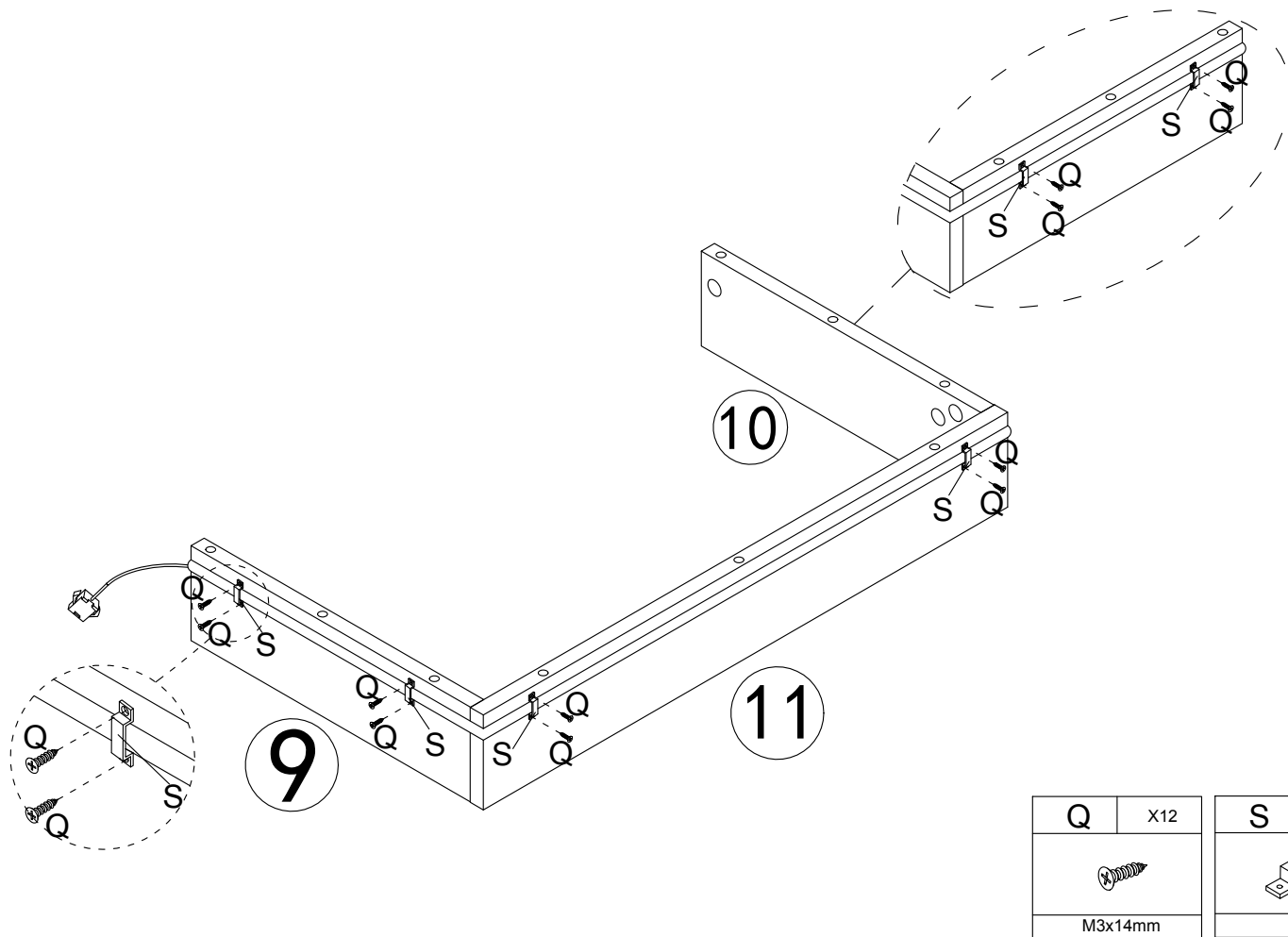
5





6

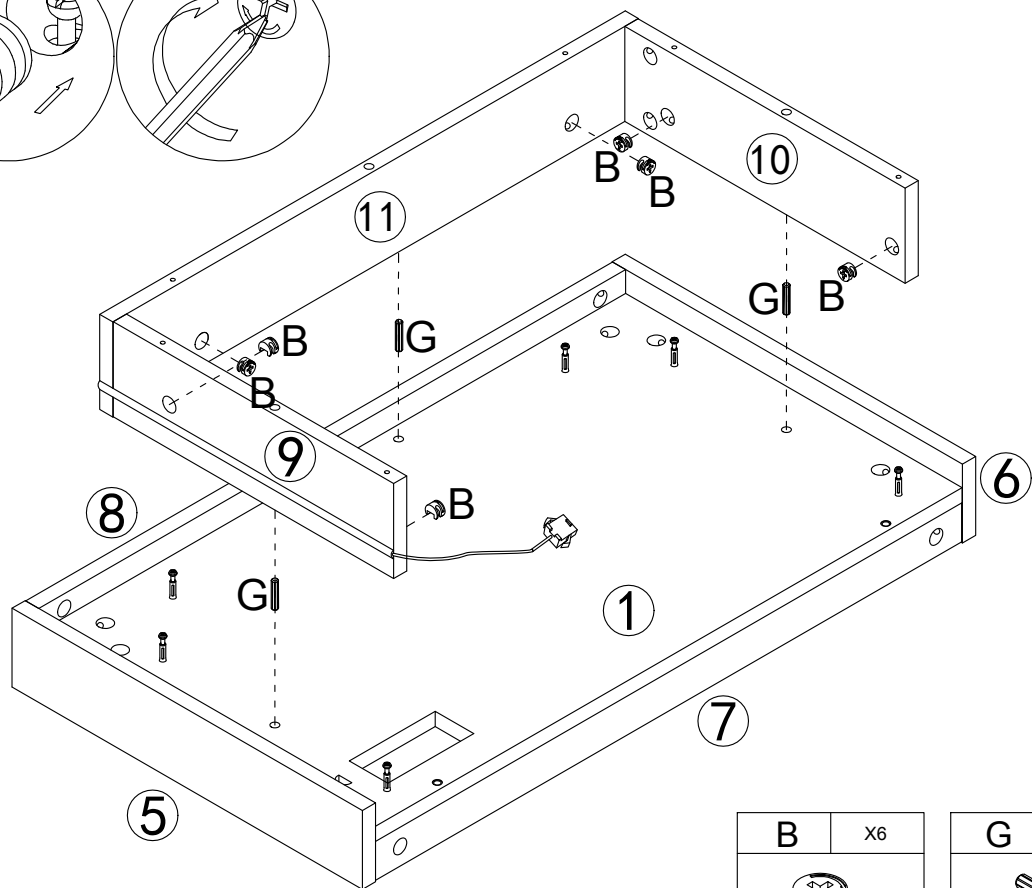
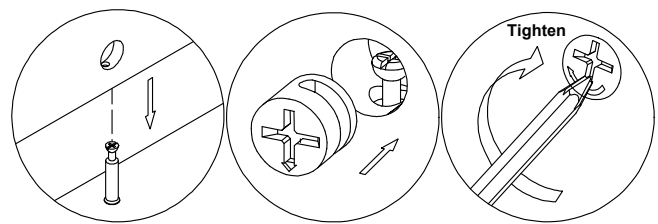




7



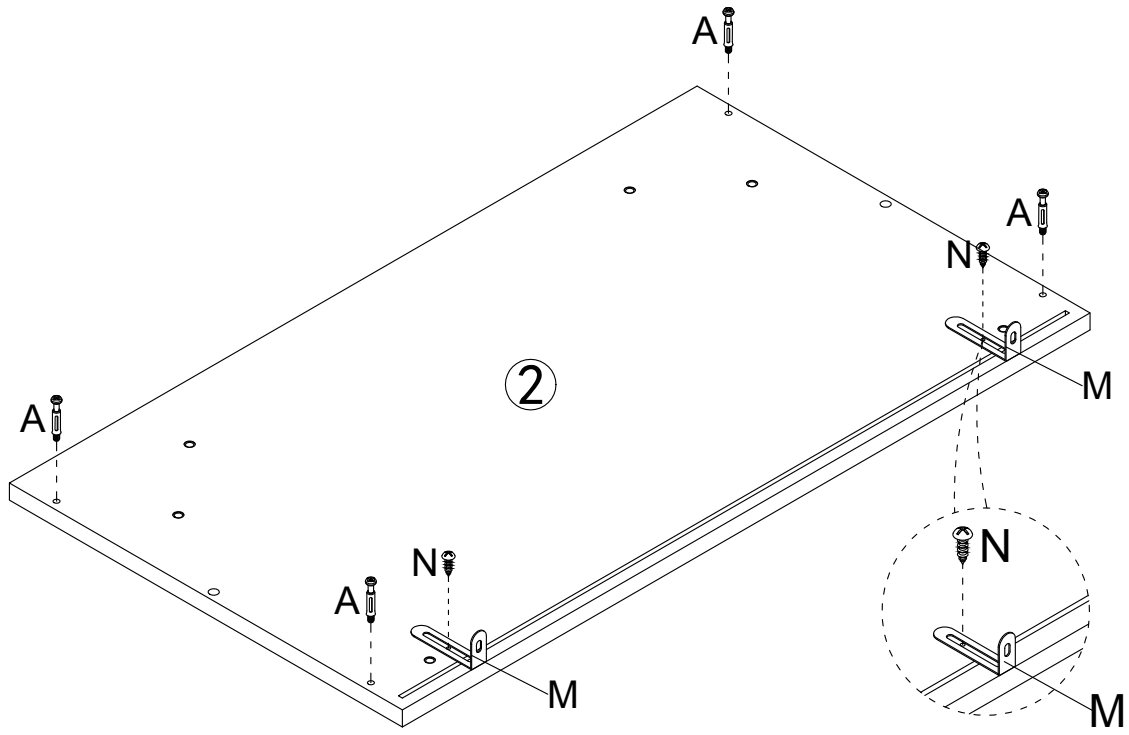
Q	X12	S	X6
			
M3x14mm			


8





B	X6	G	X3
			
Ø15x9mm		Ø8x30mm	

9

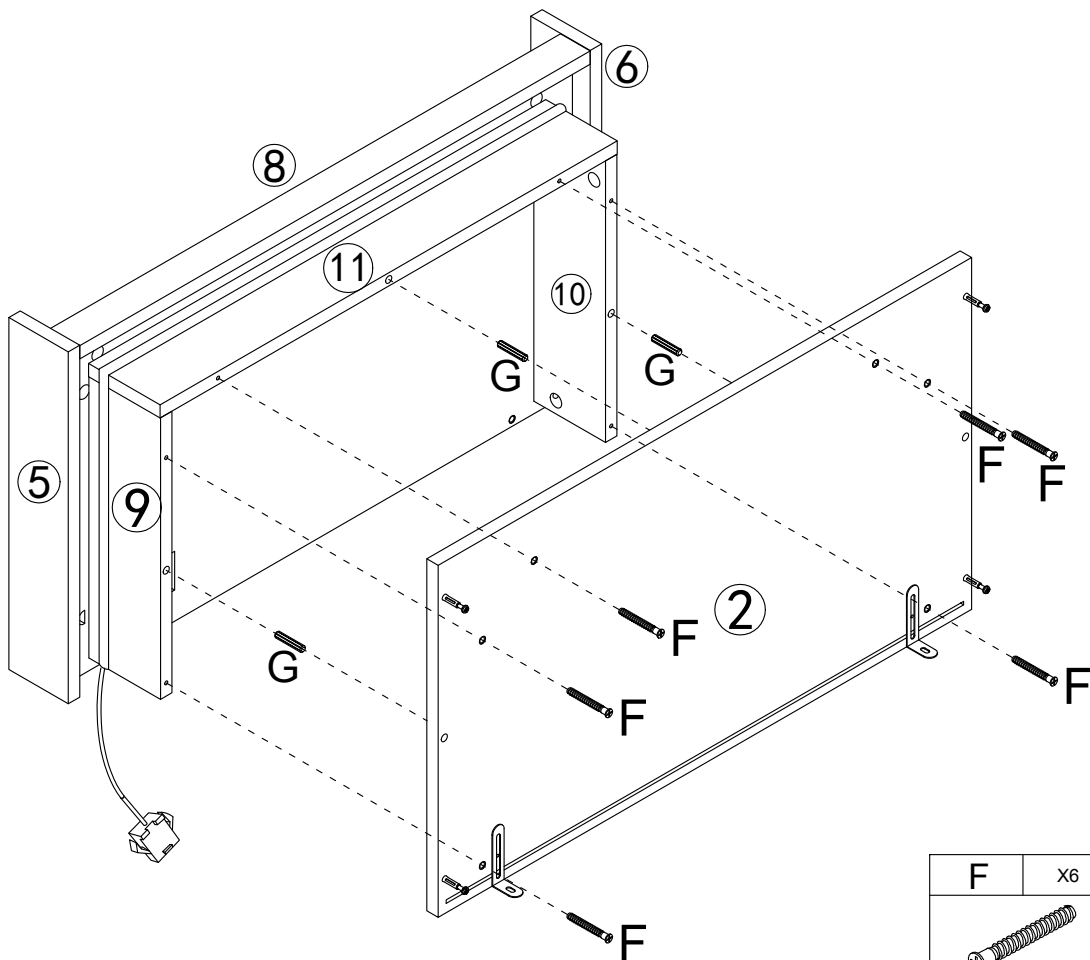



A	X4
	
M6x35mm	

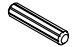
M	X2
	

N	X2
	
M4x12mm	

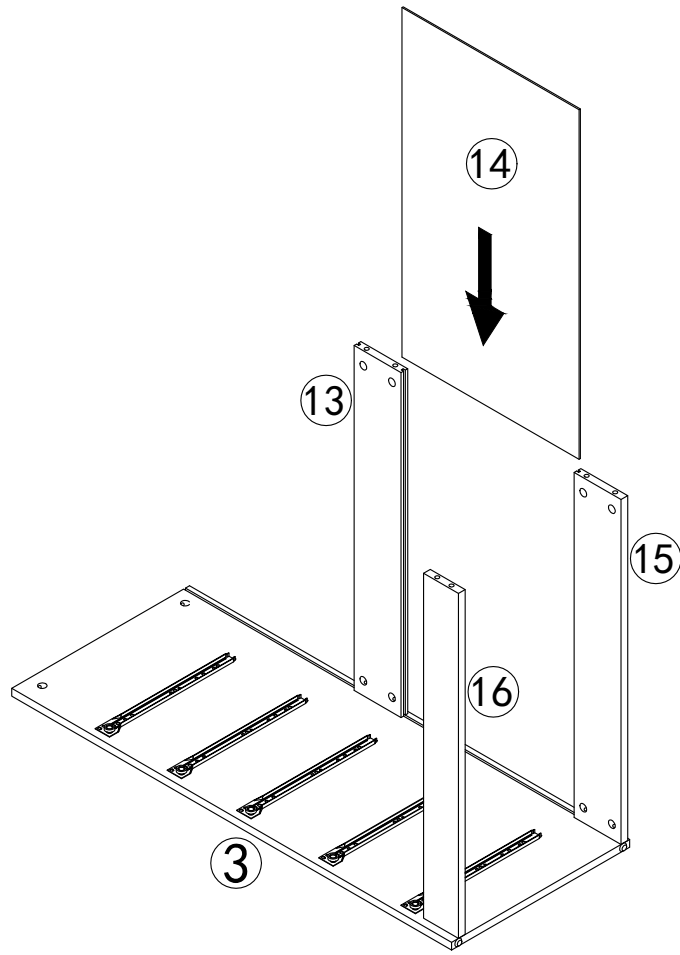
10



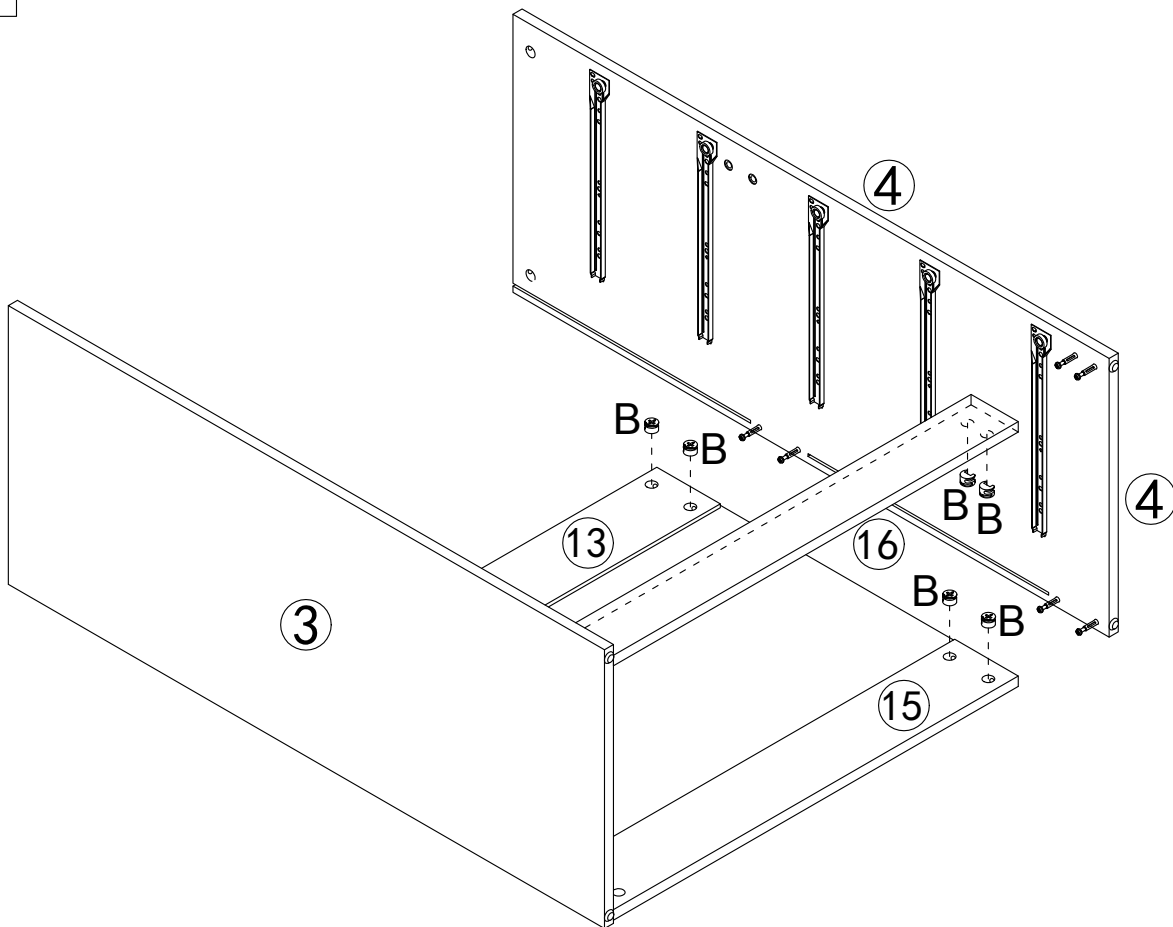
F	X6
	
M5x40mm	

G	X3
	
Ø8x30mm	

13

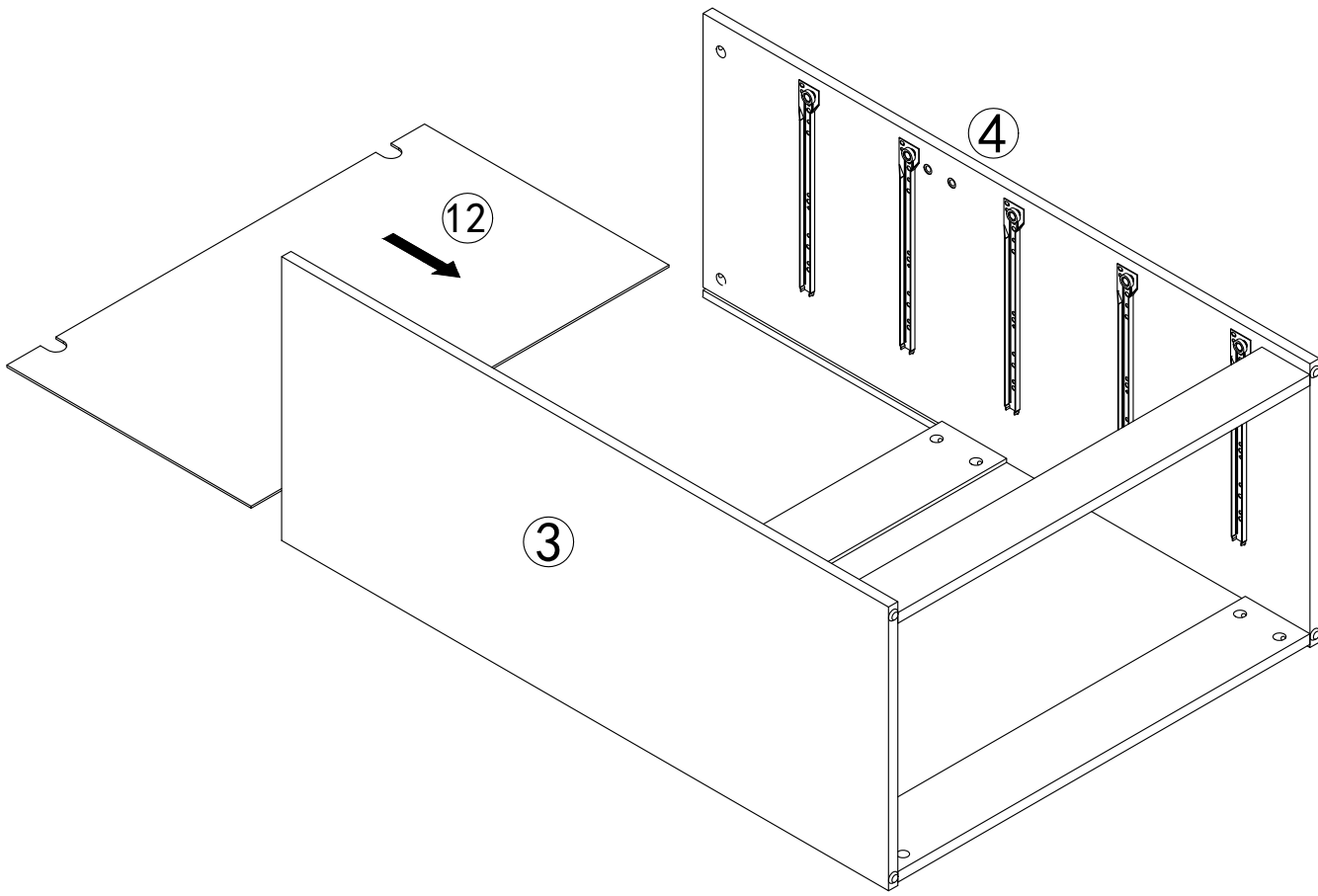


14

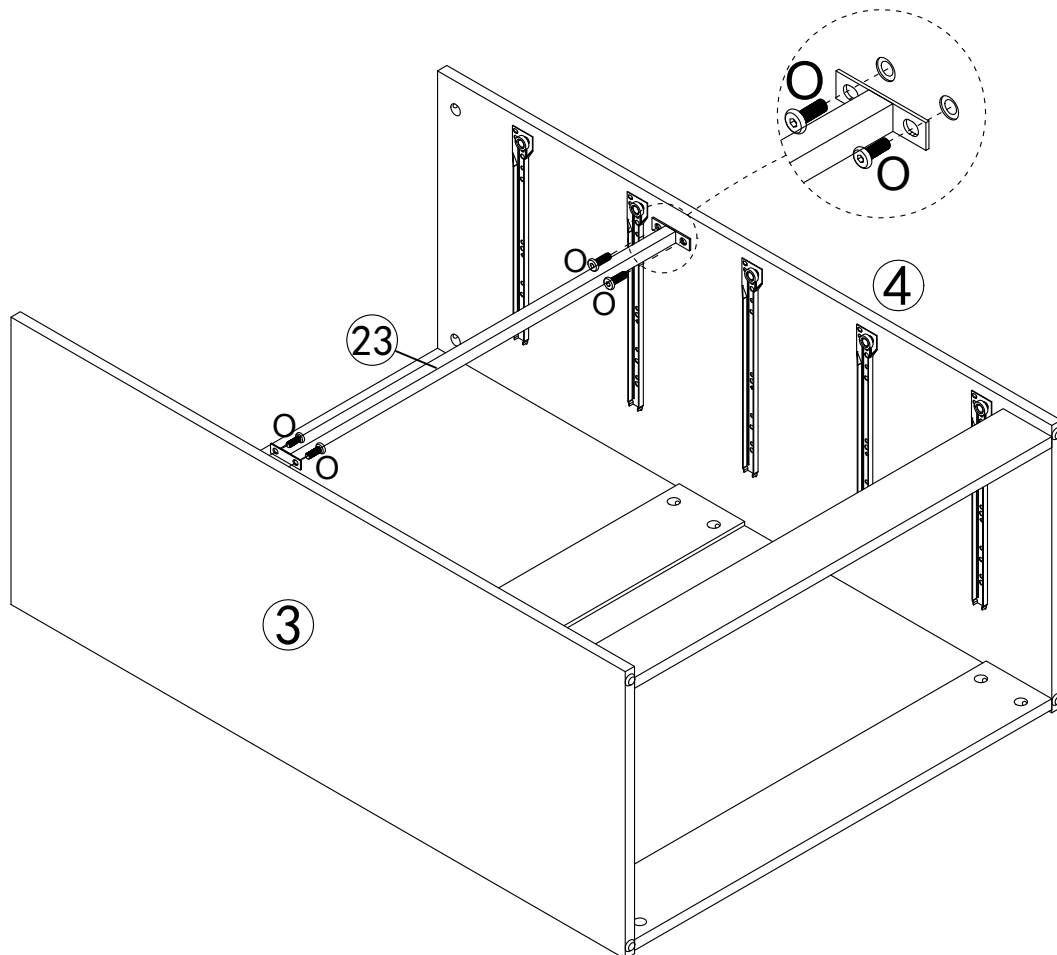



B	x6
Ø15x9mm	

15

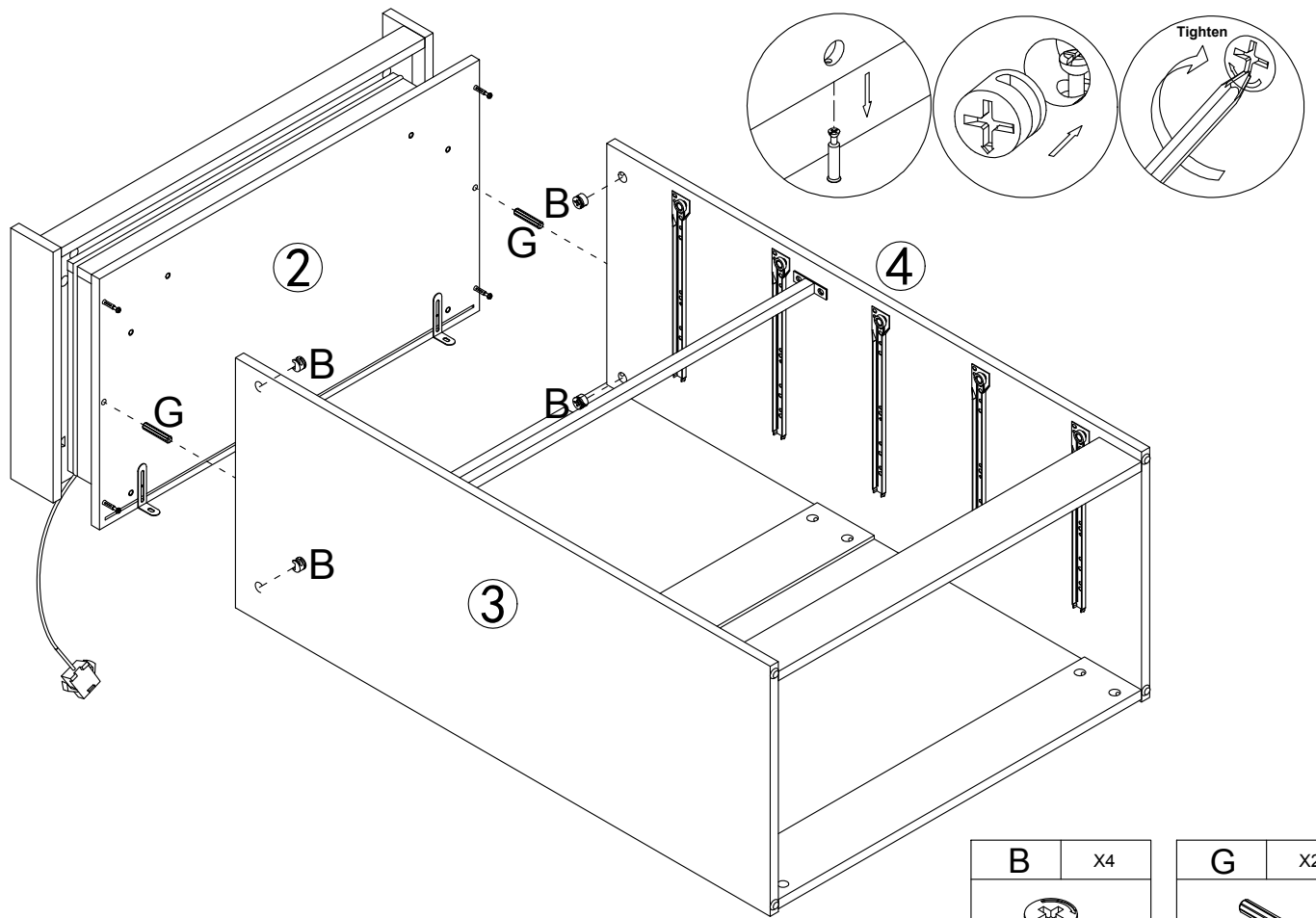



16




○	X4
	
M6x12mm	

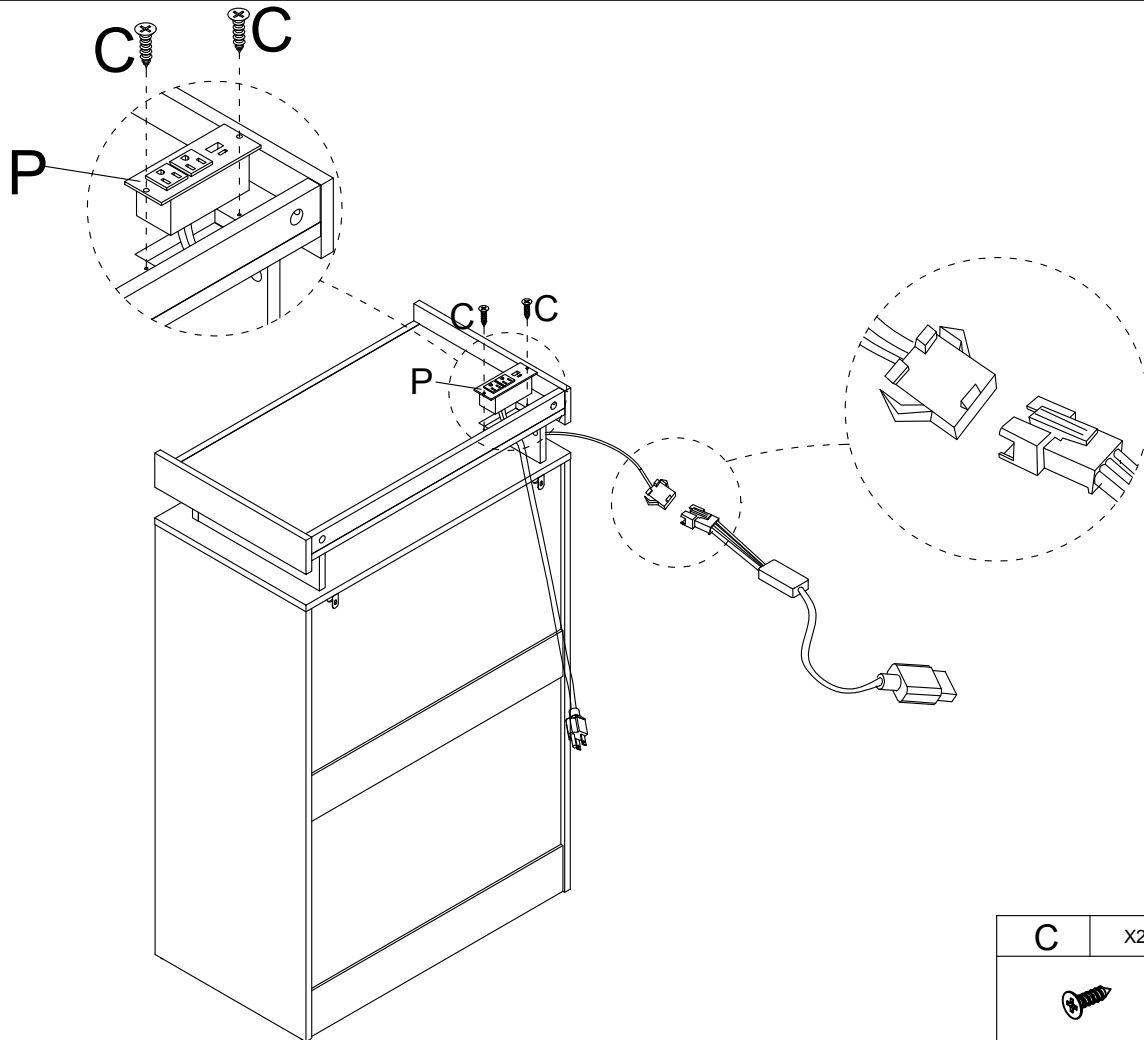
17





B	X4
	
Ø15x9mm	

G	X2
	
Ø8x30mm	

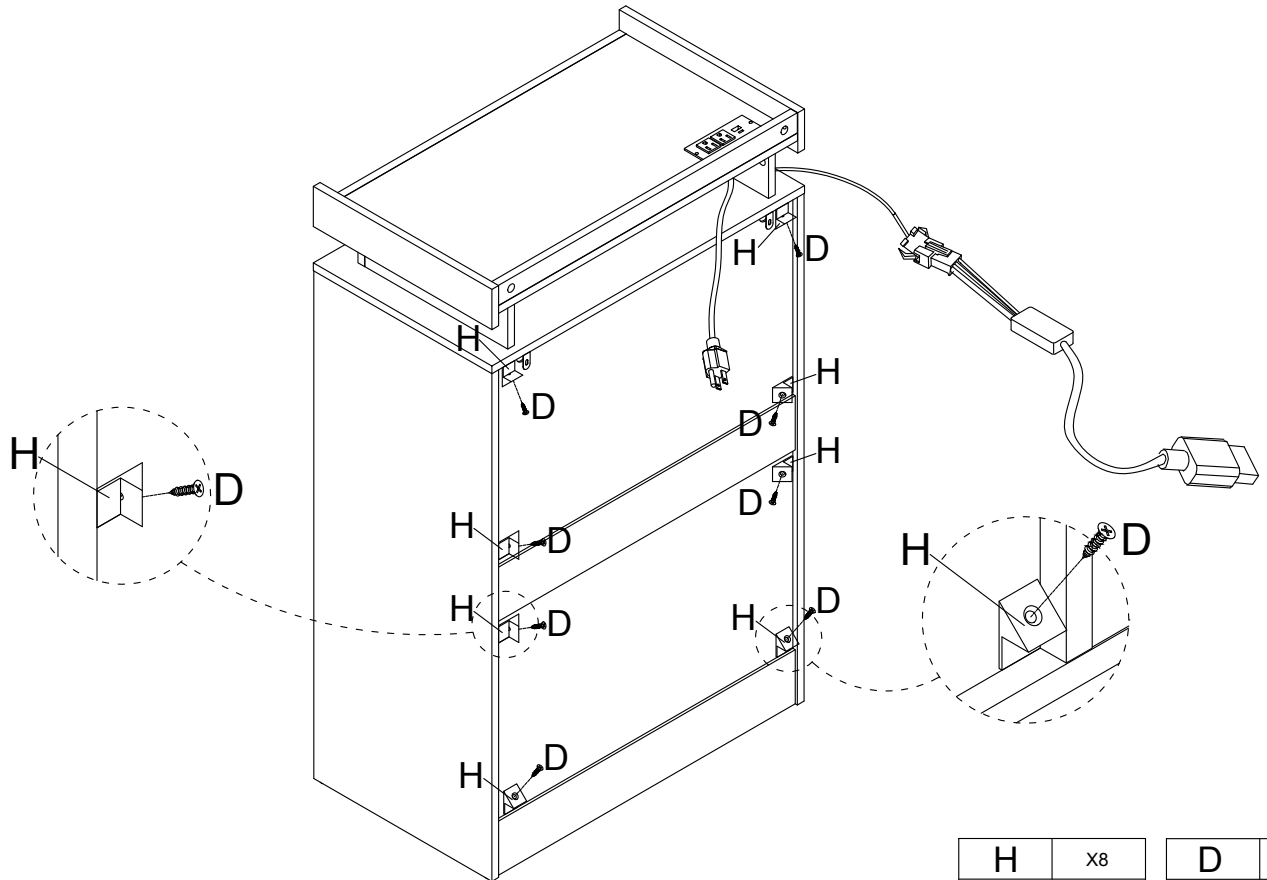
18





C	X2
	
M3.5x12mm	

P	X1
	

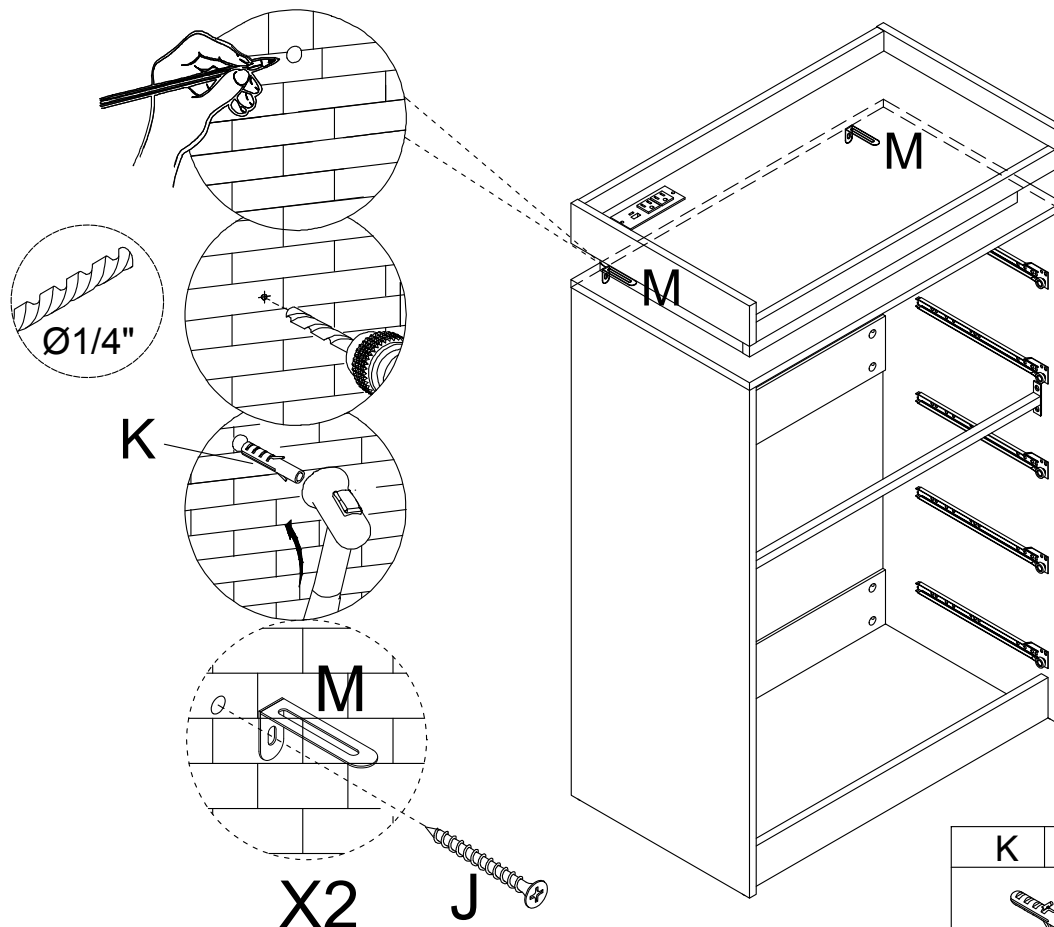
19





H	X8
	

D	X8
	
M3x16mm	

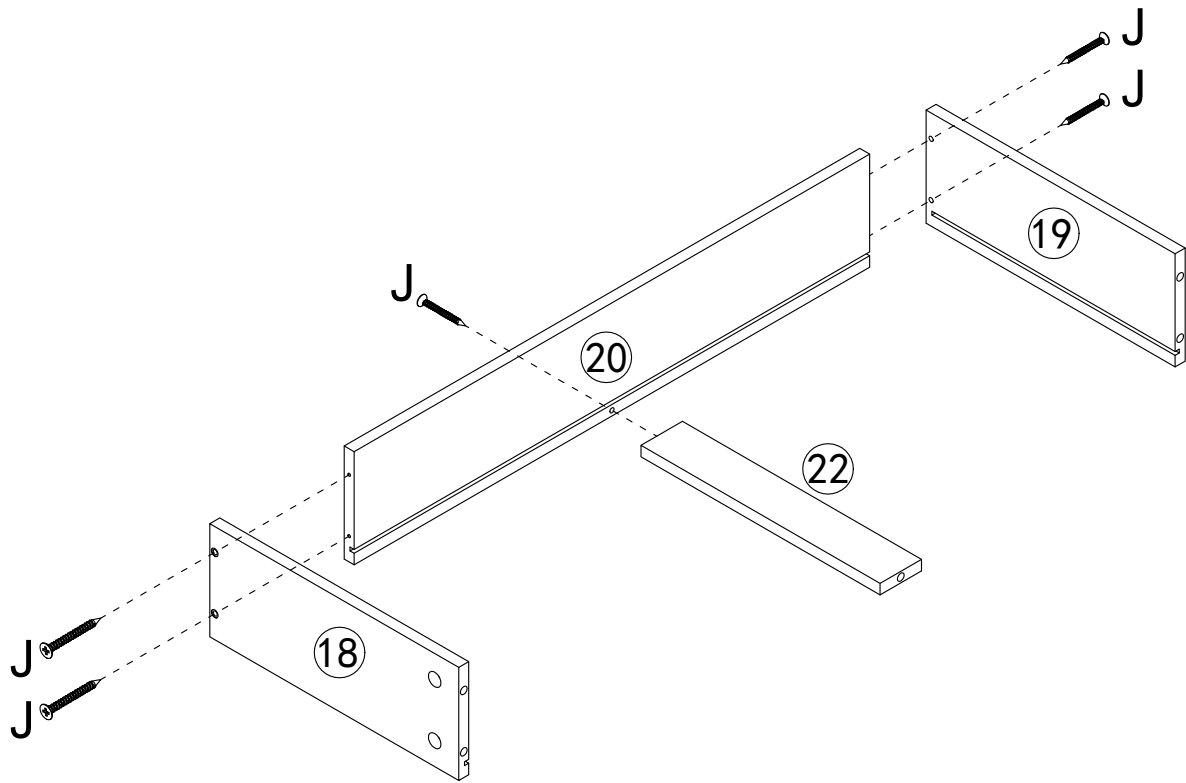
20




K	X2
	
Ø6x30mm	

J	X2
	
M4x35mm	

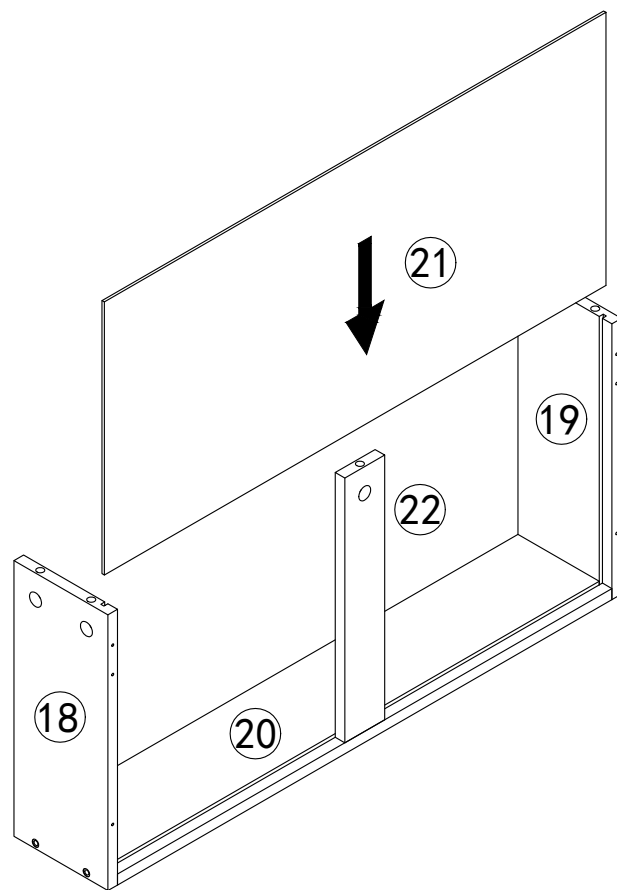
21



X5

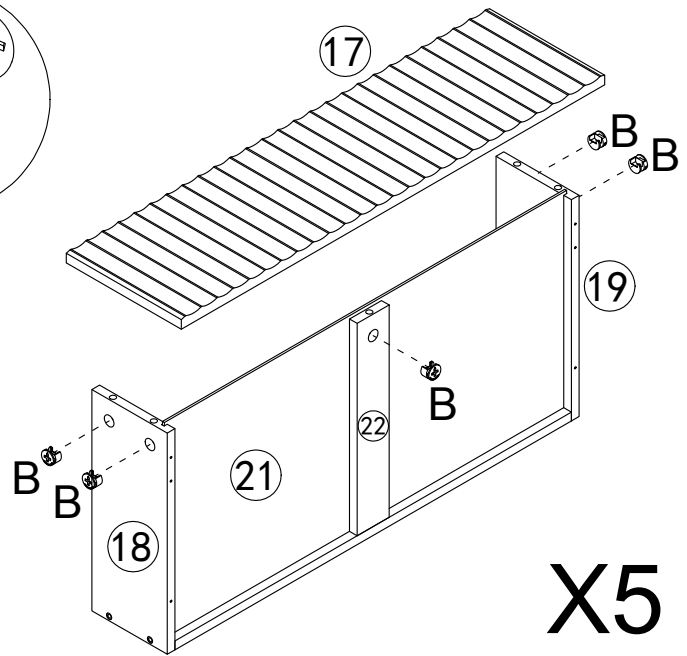
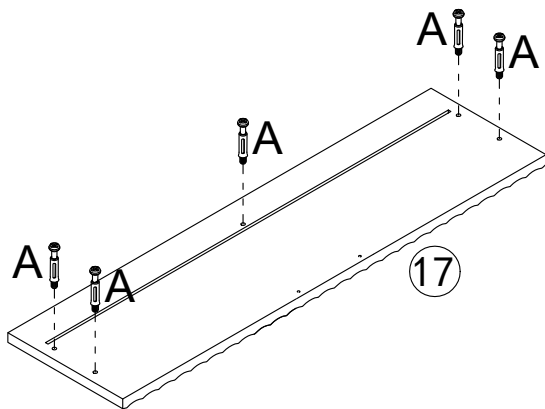
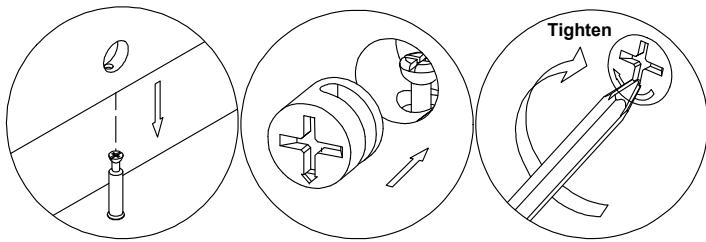
J	X25
	
M4x35mm	

22

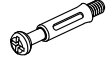



X5

23

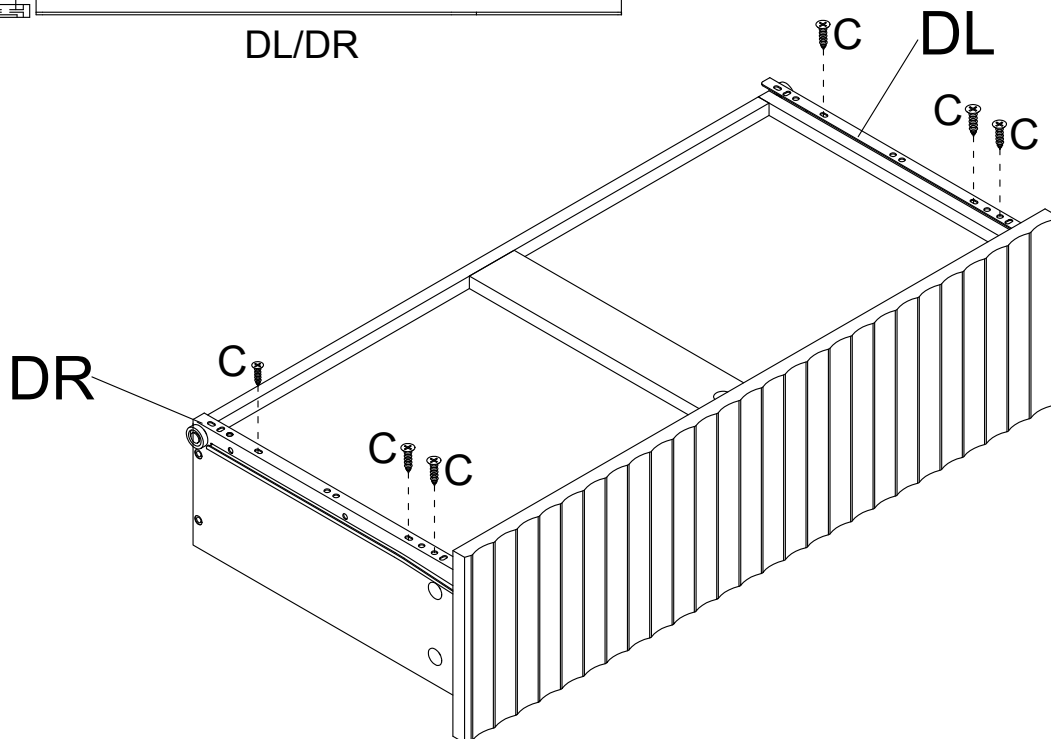
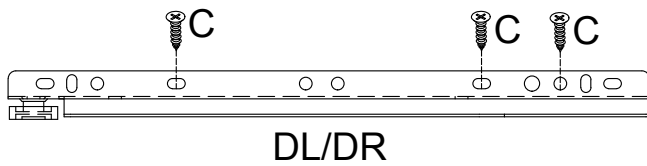


X5


A	X25
	
M6x35mm	

B	X25
	
Ø15x9mm	

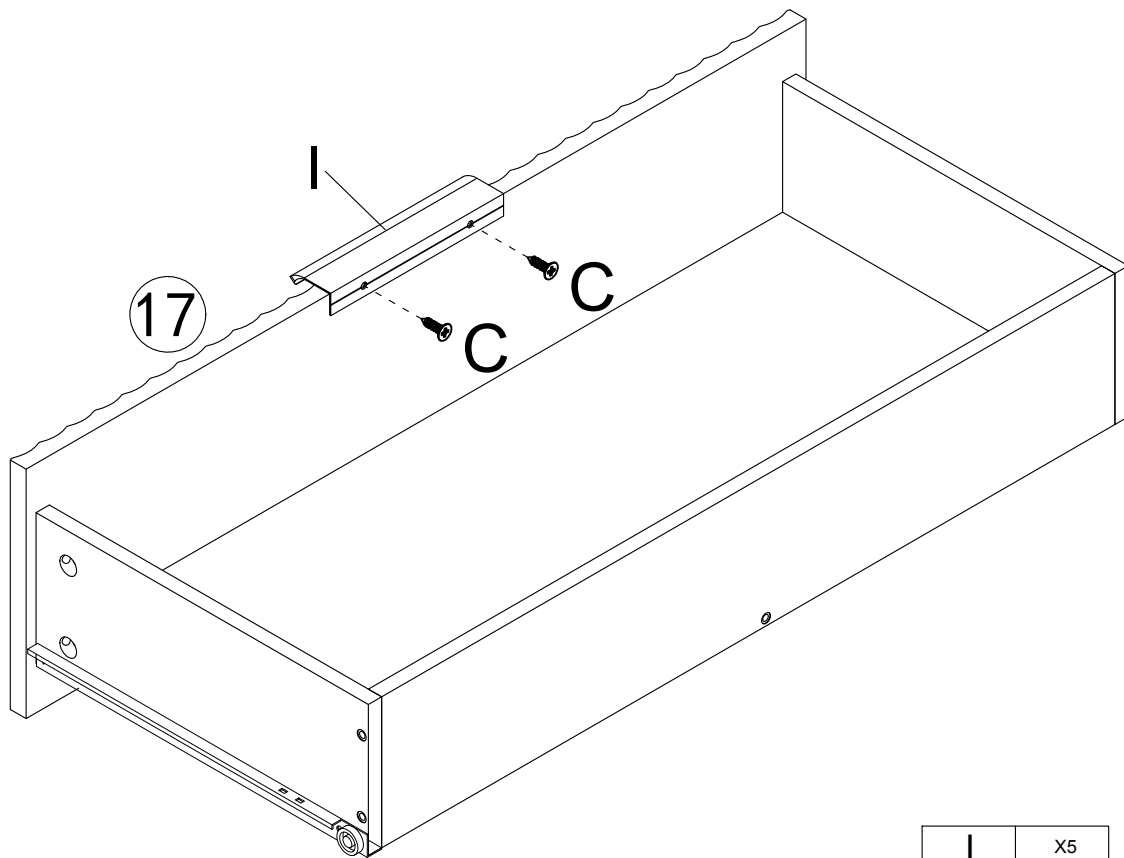
24



X5

C	X30
	
M3.5x12mm	

25



X5

I	X5

C	X10
M3.5x12mm	

26

