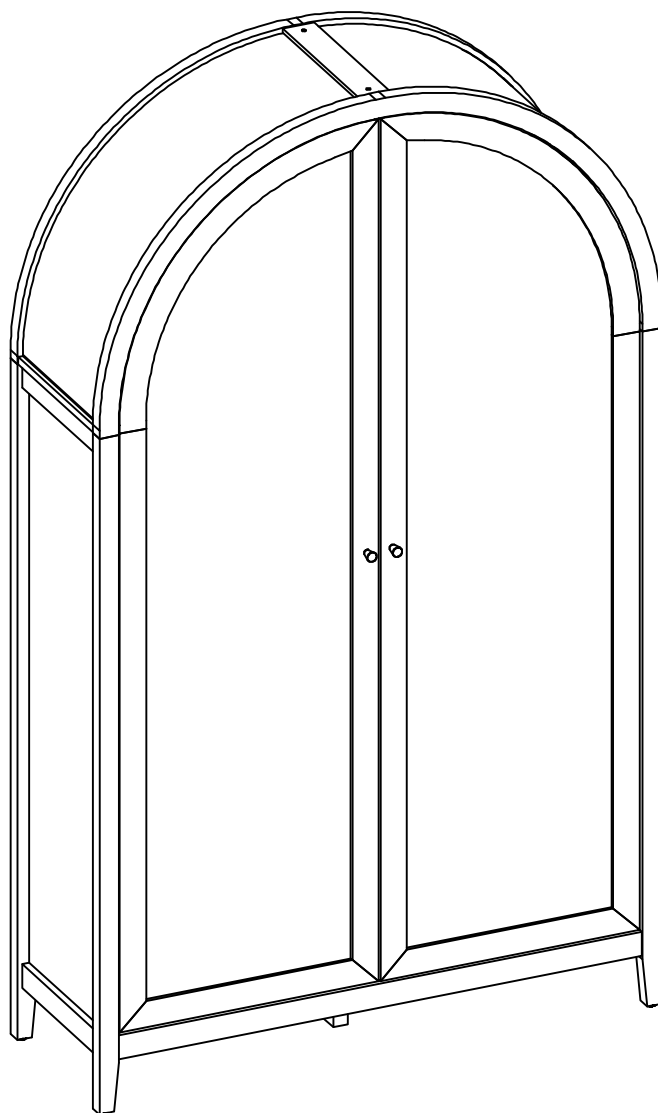


# ASSEMBLY INSTRUCTIONS

# EEI-7294

V0.05.12.24



**Questions? Contact us!**

609.256.9000 • [cs@modway.com](mailto:cs@modway.com)

[www.modway.com](http://www.modway.com)

**\*modway**

# Let's get started!

\*modway



Read through all of the instructions before starting



Care instructions are listed in the last step of this manual



Approx. 90 minutes assembly time



Make sure you have all parts and components before discarding any packing materials



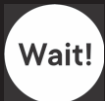
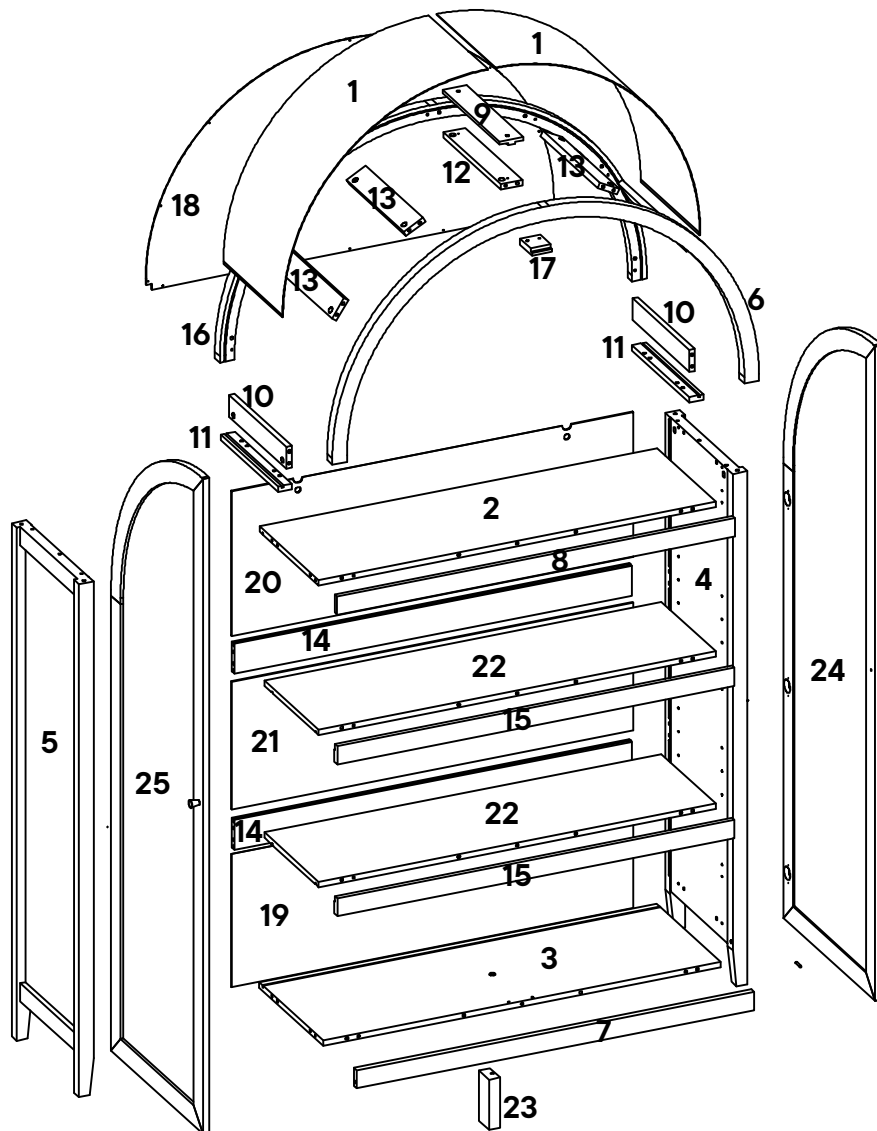
2 people recommended for assembly

**Only use hand tools to assemble this item.** Do not use power tools. Do not tighten bolts or screws completely until all hardware is lined up and inserted into the holes.

Do not over-tighten screws and bolts to avoid stripping the hardware or cracking the item.

Assemble your item on a flat, carpeted area, with plenty of space to work. This will prevent damage and scratches to your floors or the item while you're assembling the product.

Keep all components and packaging out of reach of children or animals to avoid risk of choking or suffocation.



Missing parts or hardware? Need assistance?

Contact us before returning your item. We're here to help!  
609.256.9000 • [cs@modway.com](mailto:cs@modway.com)

## Components Carton Placement.






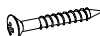







### Carton 1 of 2










Label	Description	Qty
1	Top panel	x2
6	Front top crown	x1
16	Back crown	x1
18	Back panel crown	x1
19	Bottom back panel	x1
20	Top back panel	x1
21	Middle back panel	x1
23	Middle Support bottom	x1
24	Right door	x1
25	Left door	x1
	Hardware	x1

### Carton 2 of 2

Label	Description	Qty
2	Top bottom panel	x1
3	Bottom panel	x1
4	Right side panel	x1
5	Left side panel	x1
7	Bottom apron	x1
8	Top apron	x1
9	Middle top panel	x1
10	Side frame	x2
11	Side support (L/R)	x2
12	Middle support top	x1
13	Side support top	x4
14	Back support	x2
15	Middle apron	x2
17	Door stopper	x1
22	Adjustable shelf panel	x2

### Provided hardware:

A.		Cambolt $\varnothing 6$ x 32 mm	x38
B.		Camlock $\varnothing 15$ x 12 mm	x42
C.		Cover cap	x4
D.		Dowel $\varnothing 7.8$ x 32 mm	x54
E.		Assembly screw $\varnothing 7$ x 50 mm	x4
F.		Screw $\varnothing 7$ x 25 mm	x4
G.		Hinge	x6
H.		Screw $\varnothing 7$ x 13 mm	x12
I.		Screw $\varnothing 4$ x 12 mm	x12
J.		Screw $\varnothing 6$ x 19 mm	x30
K.		Wedge	x30
L.		Door stopper	x2
M.		Adjustable leveller	x5

N.		Barrel nut	x2
O.		Shelf pin	x8
P.		Screw $\varnothing 6$ x 12 mm	x2
Q.		L bracket	x2
R.		Bolt M6 x 30 mm	x1
S.		Allen key	x1
T.		Screw $\varnothing 12$ x 25 mm	x12
U.		Metal support	x3
V.		Handle	x2
W.		Bolt M4 x 22mm	x2
X.		Sticker	x1
Y.		Connecting bolt	x4
Z.		Connecting nut	x4

### What you need:



### You may also need:

- + Power Drill
- + Level
- + Hammer

Wait!

Missing parts or hardware? Need assistance?

Contact us before returning your item. We're here to help!  
609.256.9000 • cs@modway.com

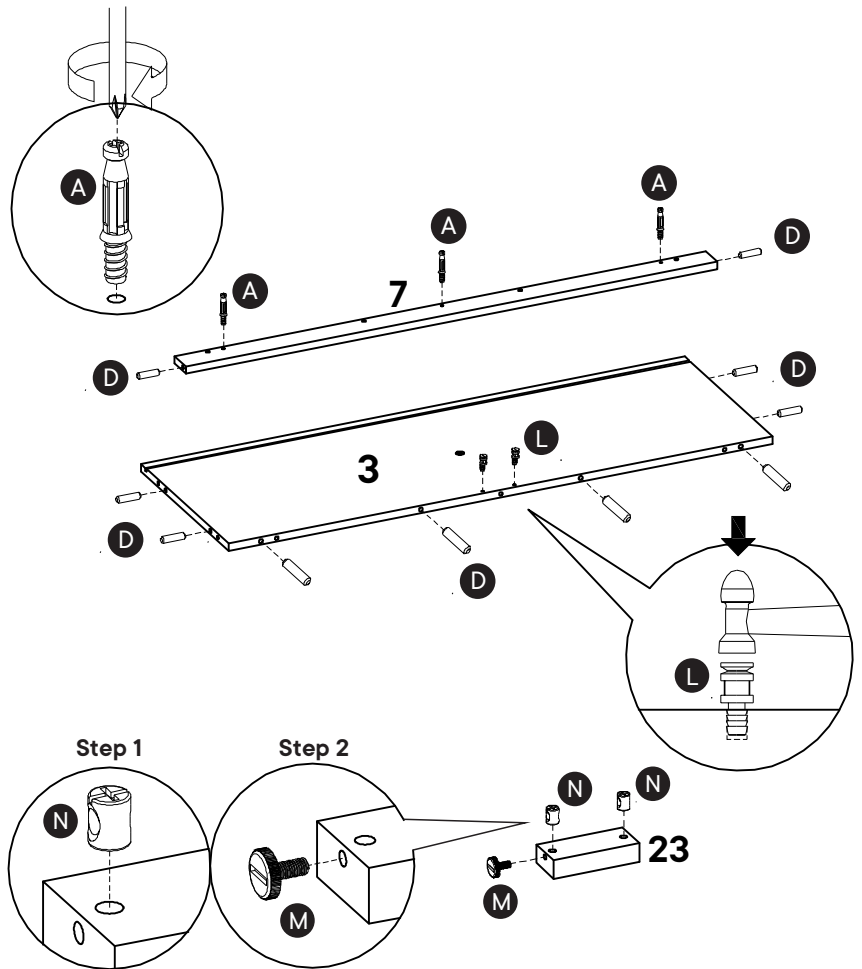
# Step 1

## COMPONENTS

3	Bottom panel	x1
7	Bottom apron	x1
23	Middle support	x1

## HARDWARE

A	Cambolt $\varnothing 6 \times 32$ mm	x3
D	Dowel $\varnothing 7.8 \times 32$ mm	x10
L	Door stopper	x2
M	Adjustable leveller	x1
N	Barrel nut	x2



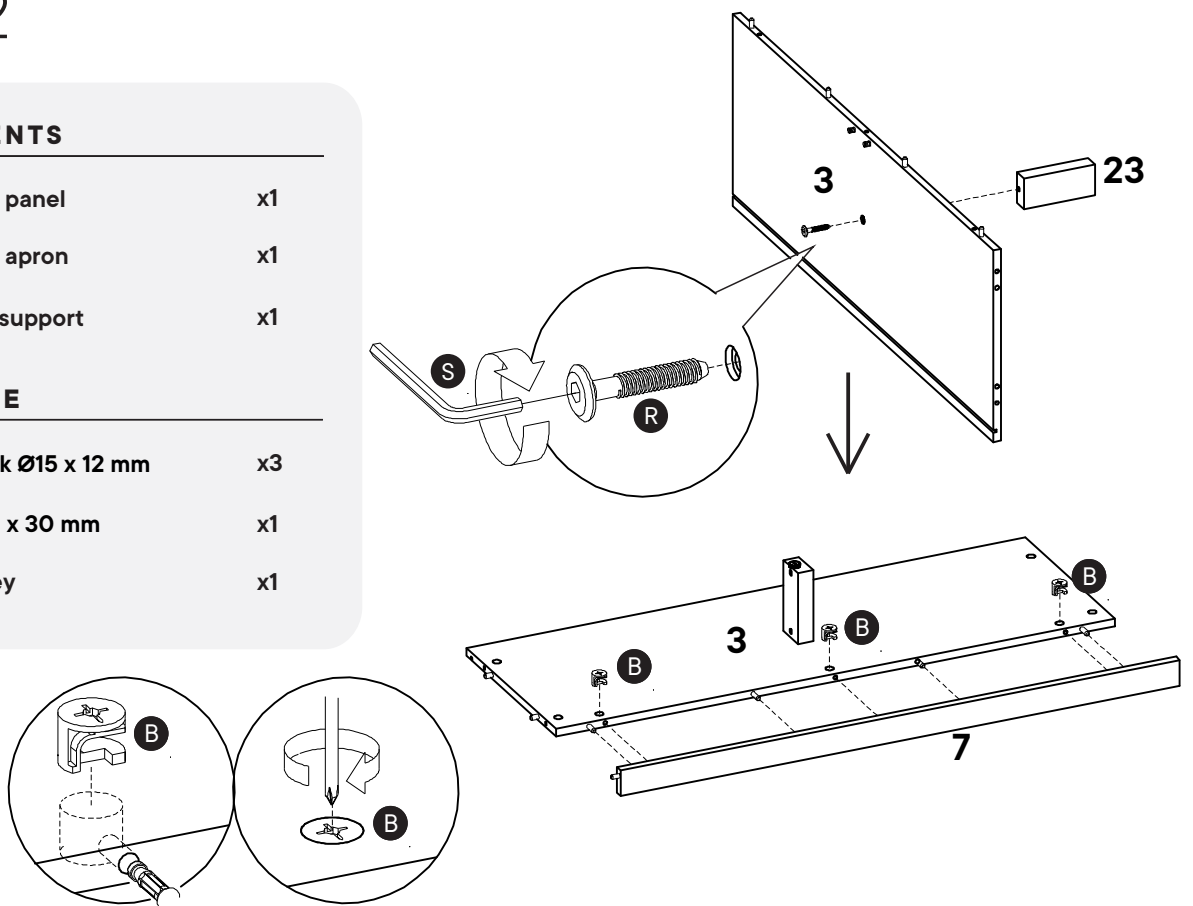
# Step 2

## COMPONENTS

3	Bottom panel	x1
7	Bottom apron	x1
23	Middle support	x1

## HARDWARE

B	Camlock $\varnothing 15 \times 12$ mm	x3
R	Bolt $M6 \times 30$ mm	x1
S	Allen key	x1



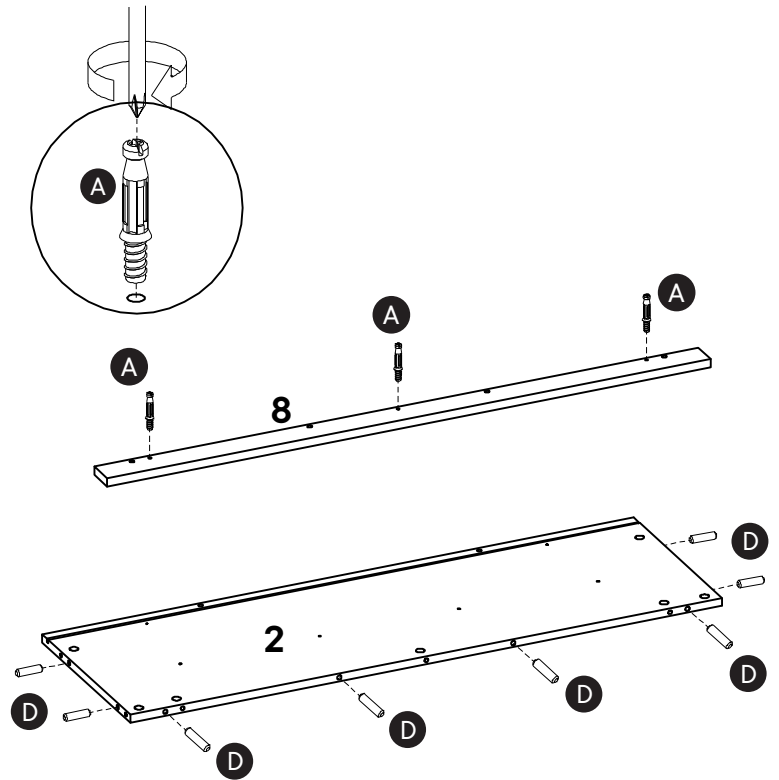
## Step 3

### COMPONENTS

2	Top bottom panel	x1
8	Top apron	x1

### HARDWARE

A	Cambolt $\varnothing 6 \times 32$ mm	x3
D	Dowel $\varnothing 7.8 \times 32$ mm	x8



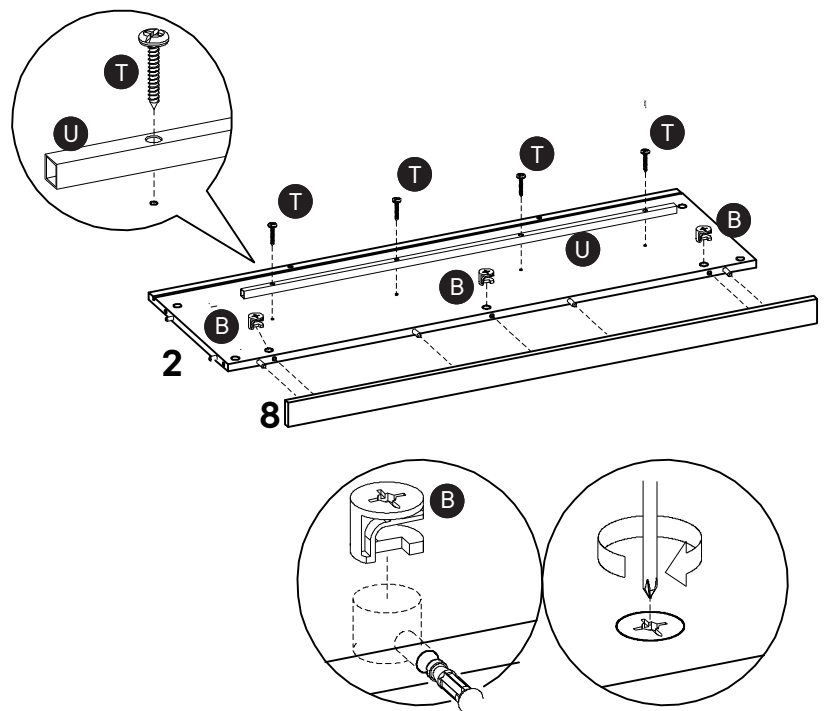
## Step 4

### COMPONENTS

2	Top bottom panel	x1
8	Top apron	x1

### HARDWARE

B	Camlock $\varnothing 15 \times 12$ mm	x3
T	Screw $\varnothing 12 \times 25$ mm	x4
U	Metal support	x1



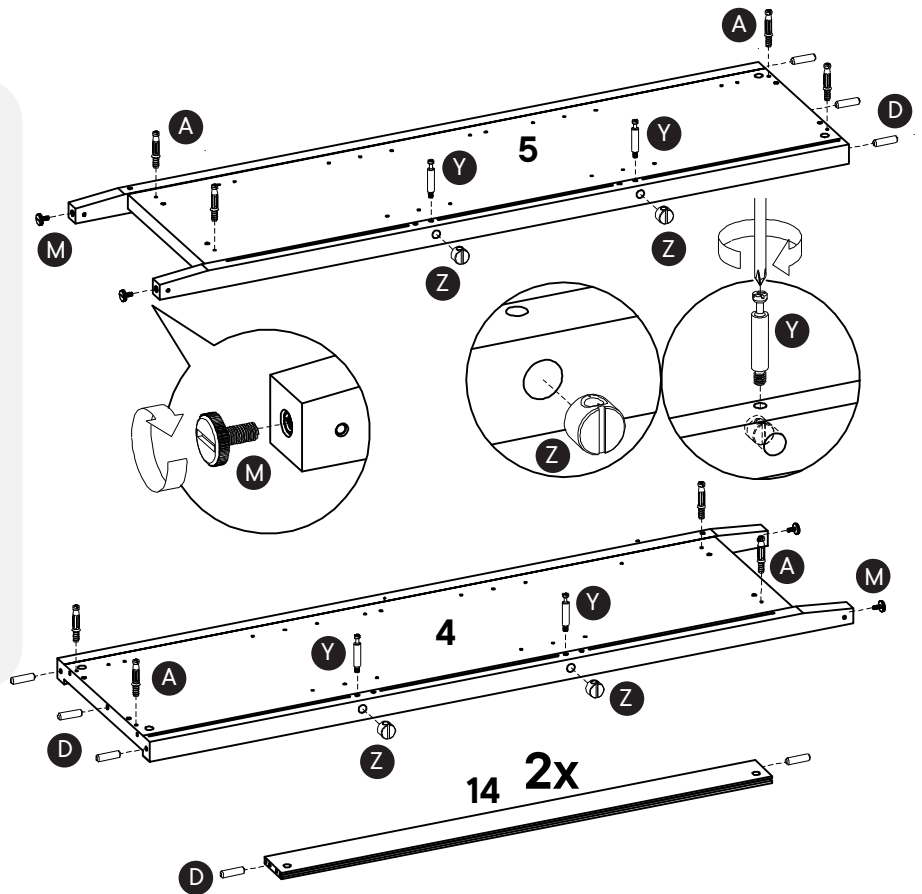
# Step 5

## COMPONENTS

5	Left side panel	x1
4	Right side panel	x1
14	Back support	x2

## HARDWARE

A	Cambolt $\varnothing 6 \times 32$ mm	x8
D	Dowel $\varnothing 7.8 \times 32$ mm	x10
M	Adjustable leveller	x4
Y	Connecting bolt	x4
Z	Connecting nut	x4



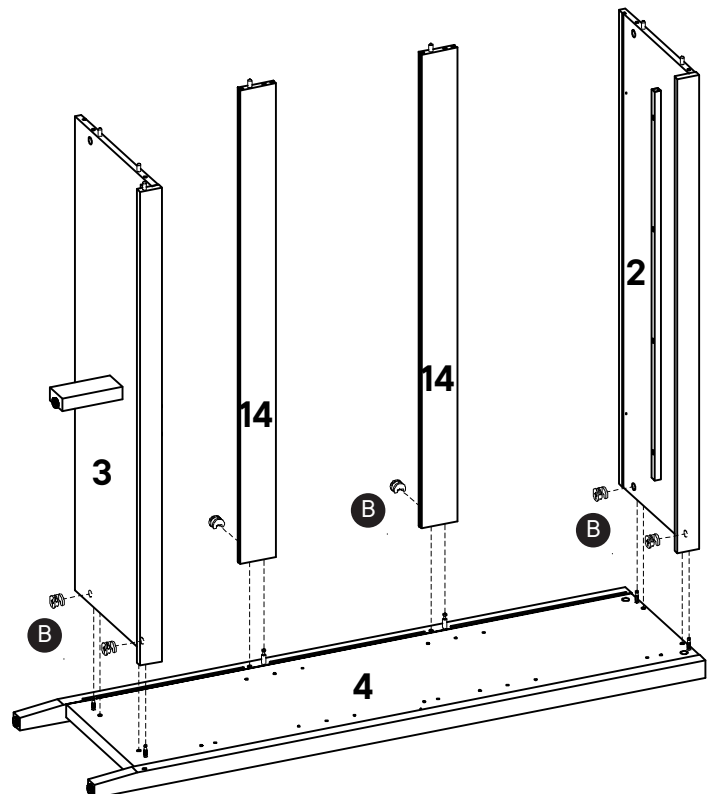
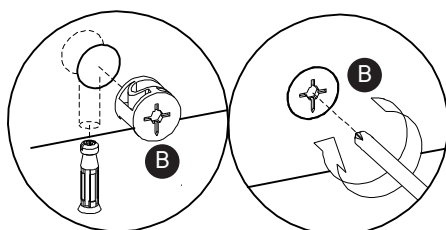
# Step 6

## COMPONENTS

2	Bottom top panel	x1
3	Bottom panel	x1
4	Right side panel	x1
14	Back support	x2

## HARDWARE

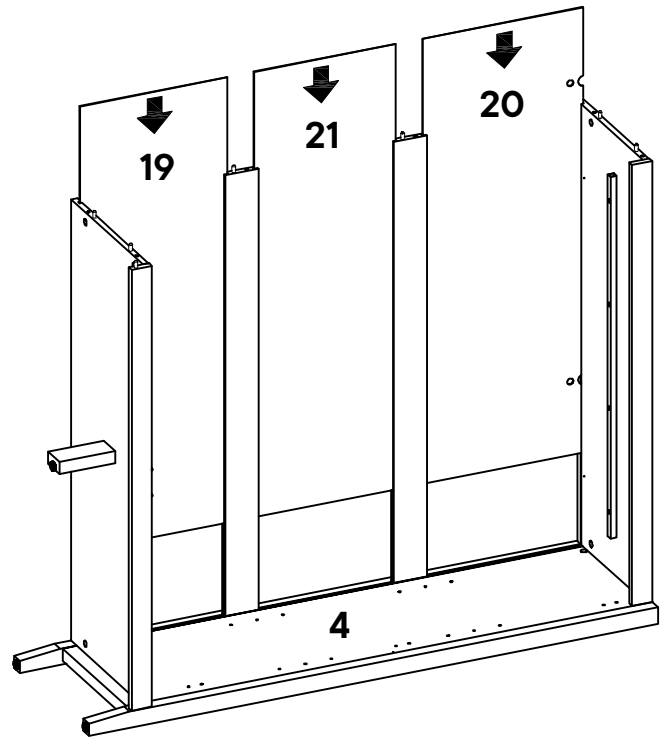
B	Camlock $\varnothing 15 \times 12$ mm	x6
---	---------------------------------------	----



# Step 7

## COMPONENTS

- 19 Bottom back panel x1
- 20 Top back panel x1
- 21 Middle back panel x1



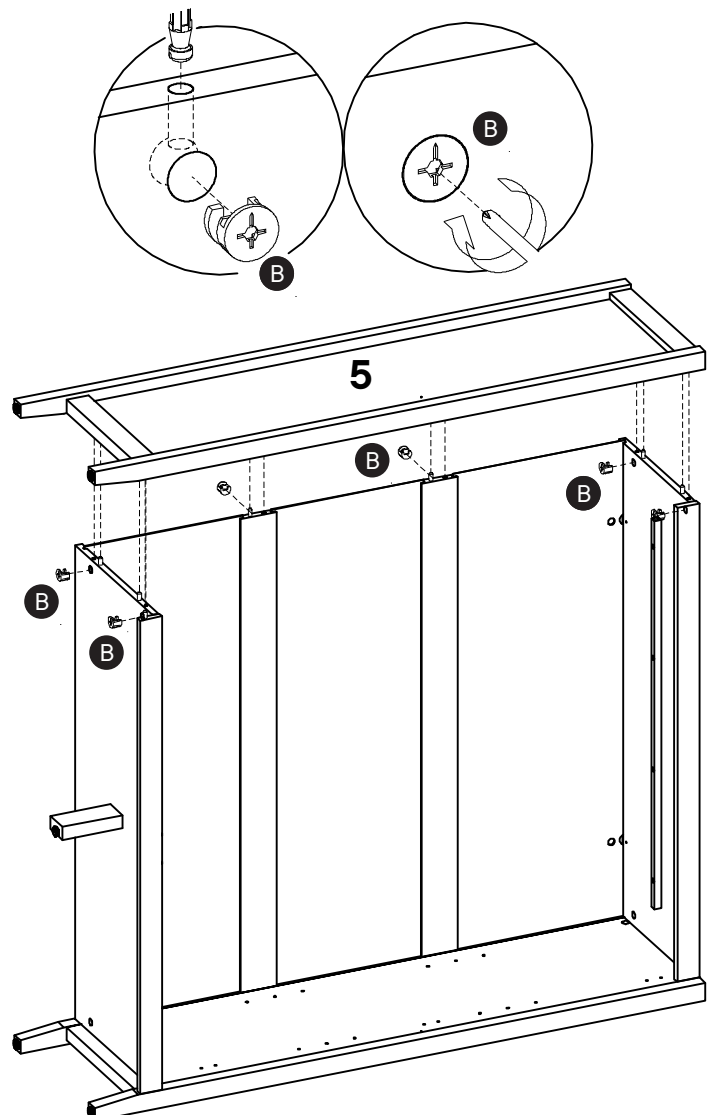
# Step 8

## COMPONENTS

- 5 Left side panel x1

## HARDWARE

- B Camlock Ø15 x 12 mm x6



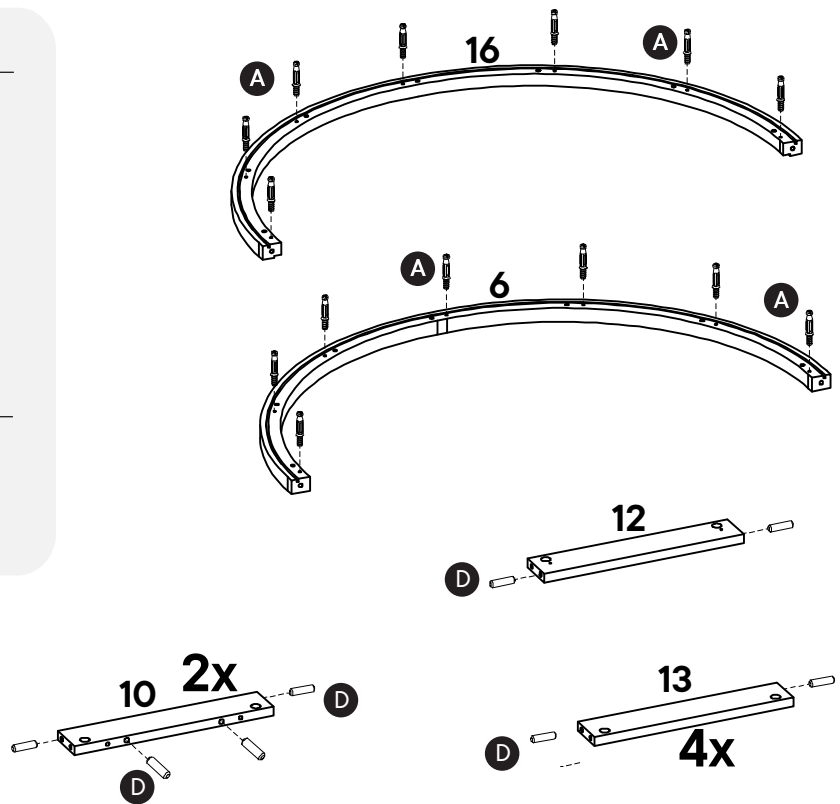
# Step 9

## COMPONENTS

6	Front top crown	x1
10	Side frame	x2
12	Middle support top	x1
13	Side support top	x4
16	Back crown	x1

## HARDWARE

A	Cambolt $\varnothing 6 \times 32$ mm	x14
D	Dowel $\varnothing 7.8 \times 32$ mm	x18



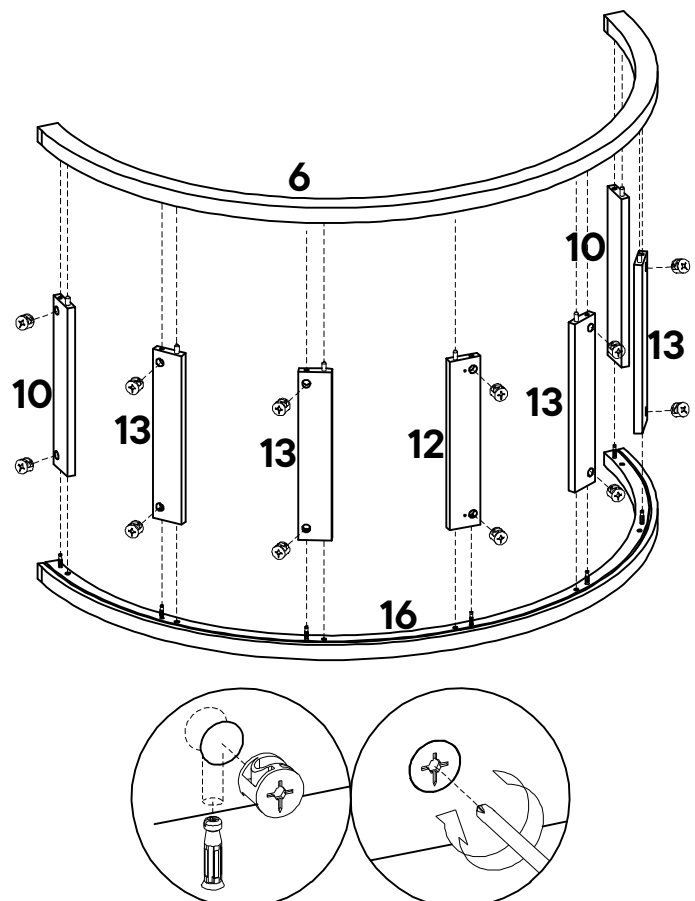
# Step 10

## COMPONENTS

6	Front top crown	x1
10	Side frame	x2
12	Middle support top	x1
13	Side support top	x4
16	Back crown	x1

## HARDWARE

B	Camlock $\varnothing 15 \times 12$ mm	x14
---	---------------------------------------	-----



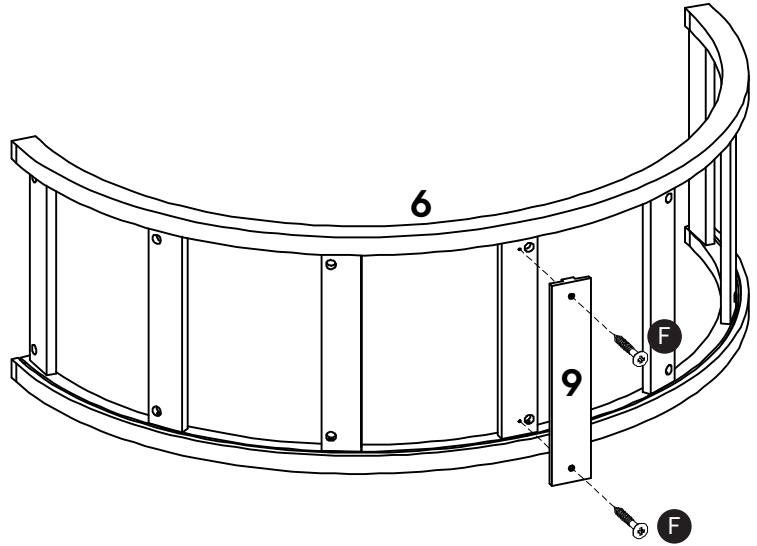
# Step 11

## COMPONENTS

9 Middle top panel x1

## HARDWARE

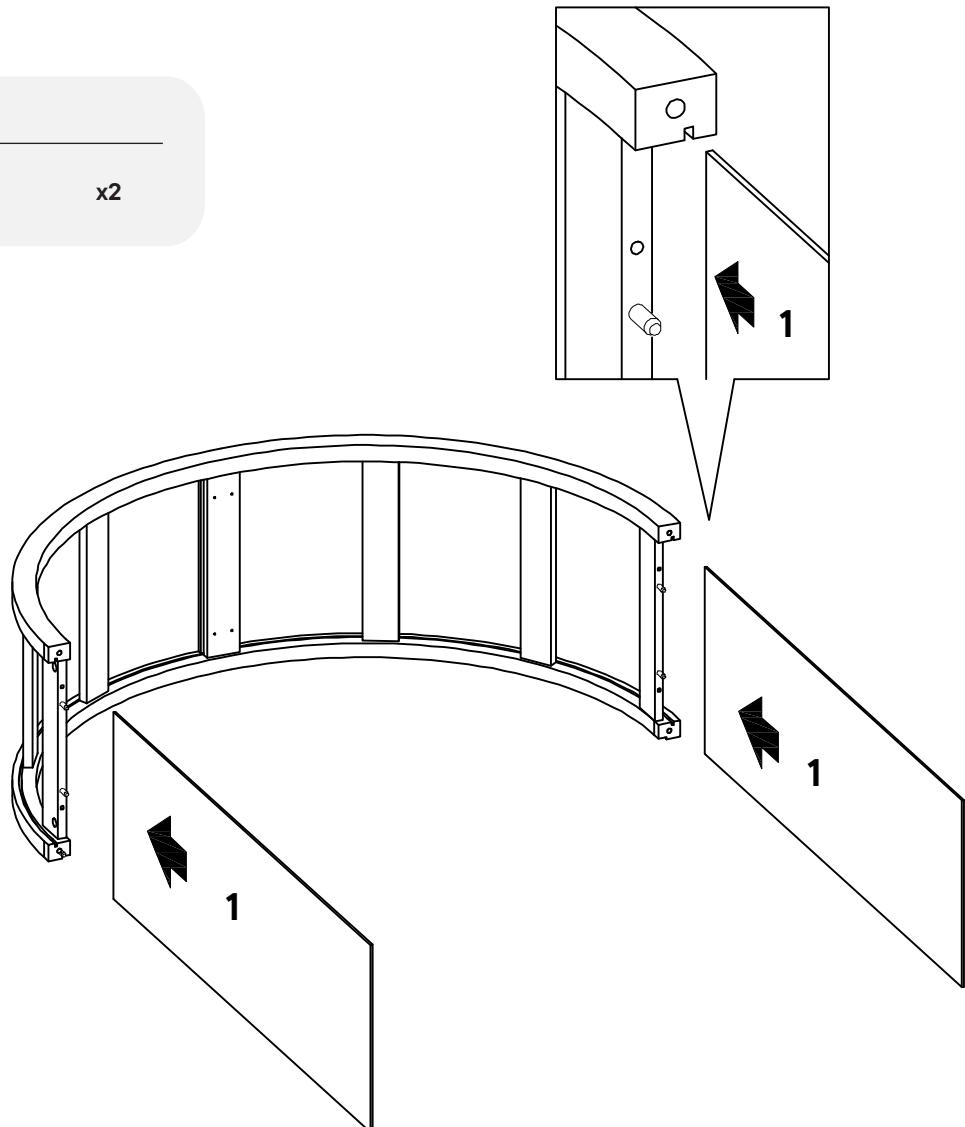
F Screw  $\varnothing 7 \times 25$  mm x2



# Step 12

## COMPONENTS

1 Top panel x2



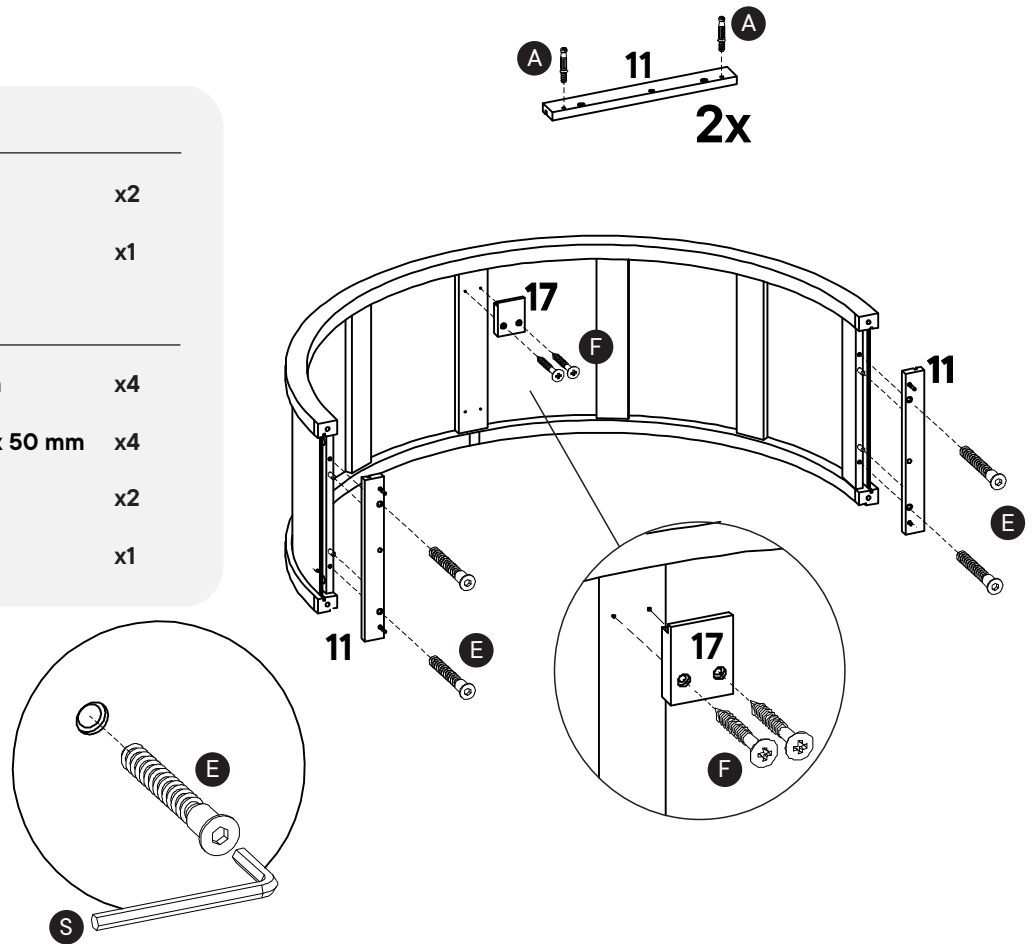
# Step 13

## COMPONENTS

- 11 Side support (L/R) x2
- 17 Door stopper x1

## HARDWARE

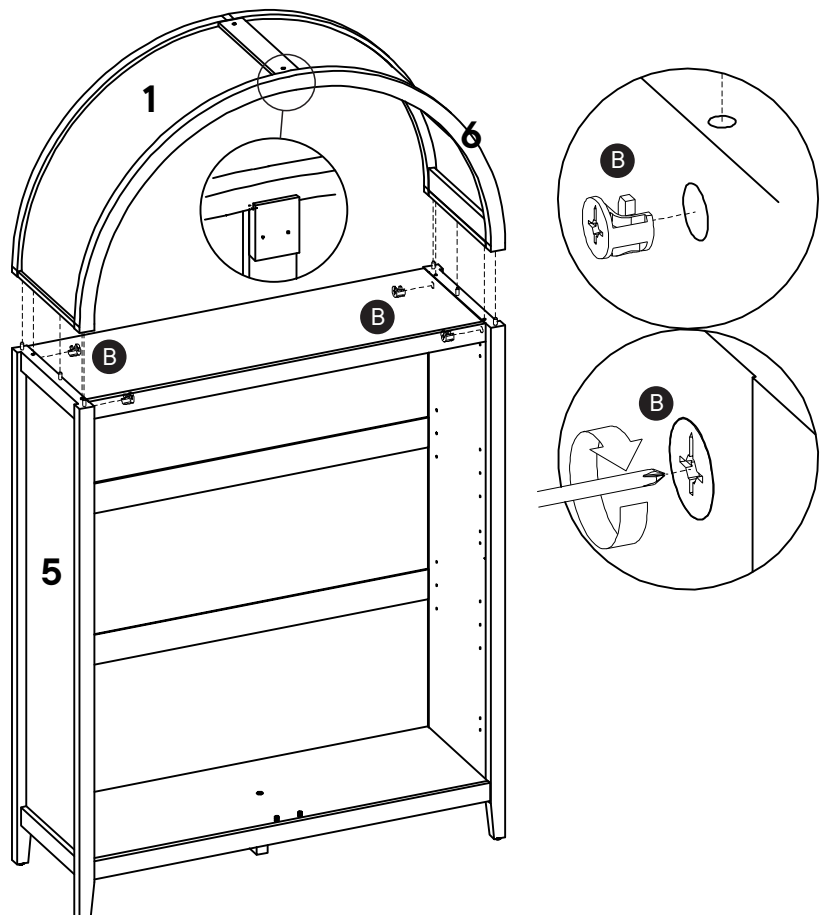
- A Cambolt  $\varnothing 6 \times 32$  mm x4
- E Assembly screw  $\varnothing 7 \times 50$  mm x4
- F Screw  $\varnothing 7 \times 25$  mm x2
- S Allen key x1



# Step 14

## HARDWARE

- B Camlock  $\varnothing 15 \times 12$  mm x4



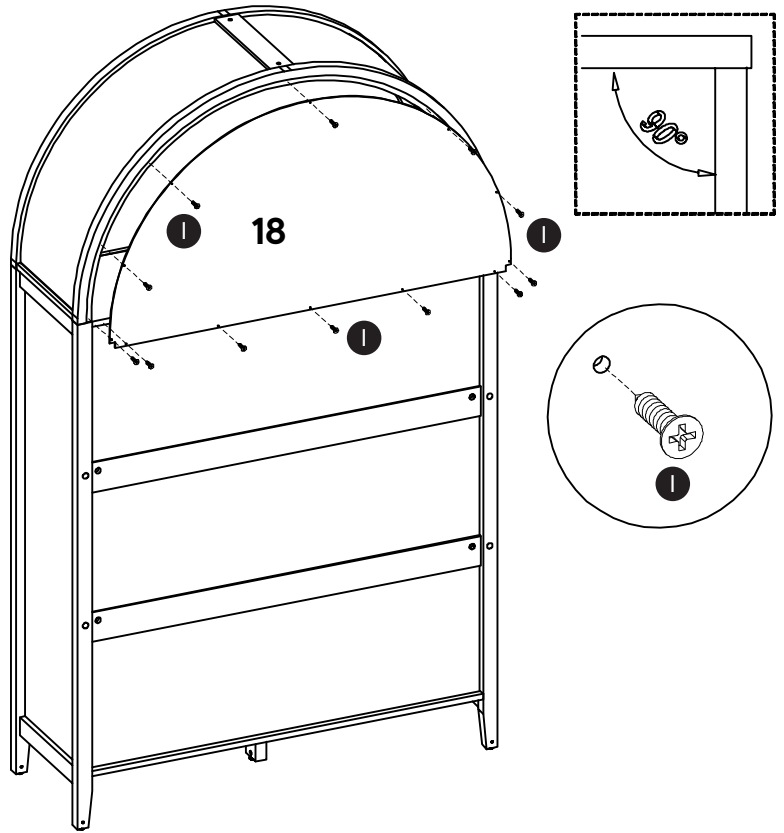
# Step 15

## COMPONENTS

18 Back panel crown x1

## HARDWARE

I Screw Ø4 x 12 mm x12

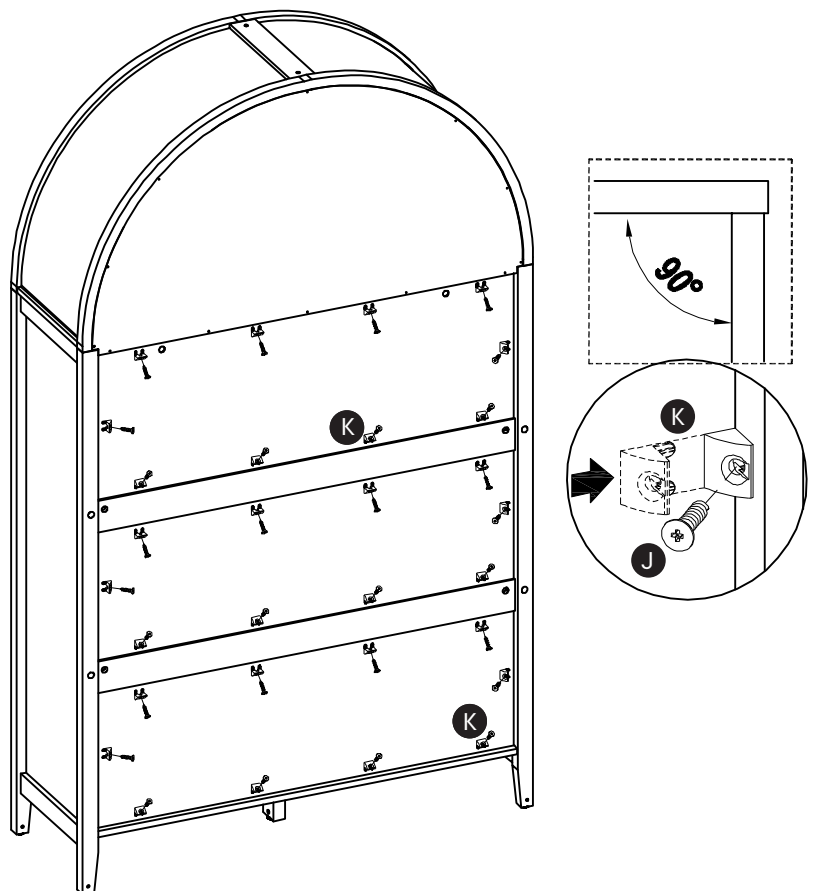


# Step 16

## HARDWARE

J Screw Ø6 x 19 mm x30

K Wedge x30



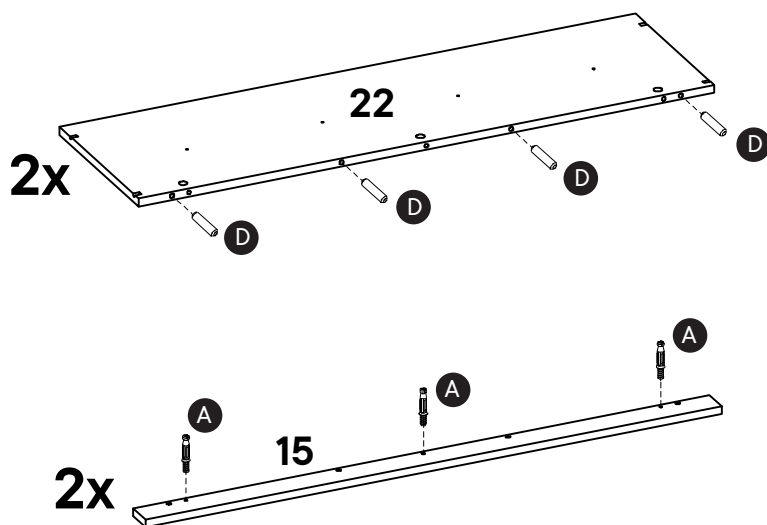
## Step 17

### COMPONENTS

15	Middle apron	x2
22	Adjustable shelf panel	x2

### HARDWARE

A	Cambolt Ø6 x 32 mm	x6
D	Dowel Ø7.8 x 32 mm	x8



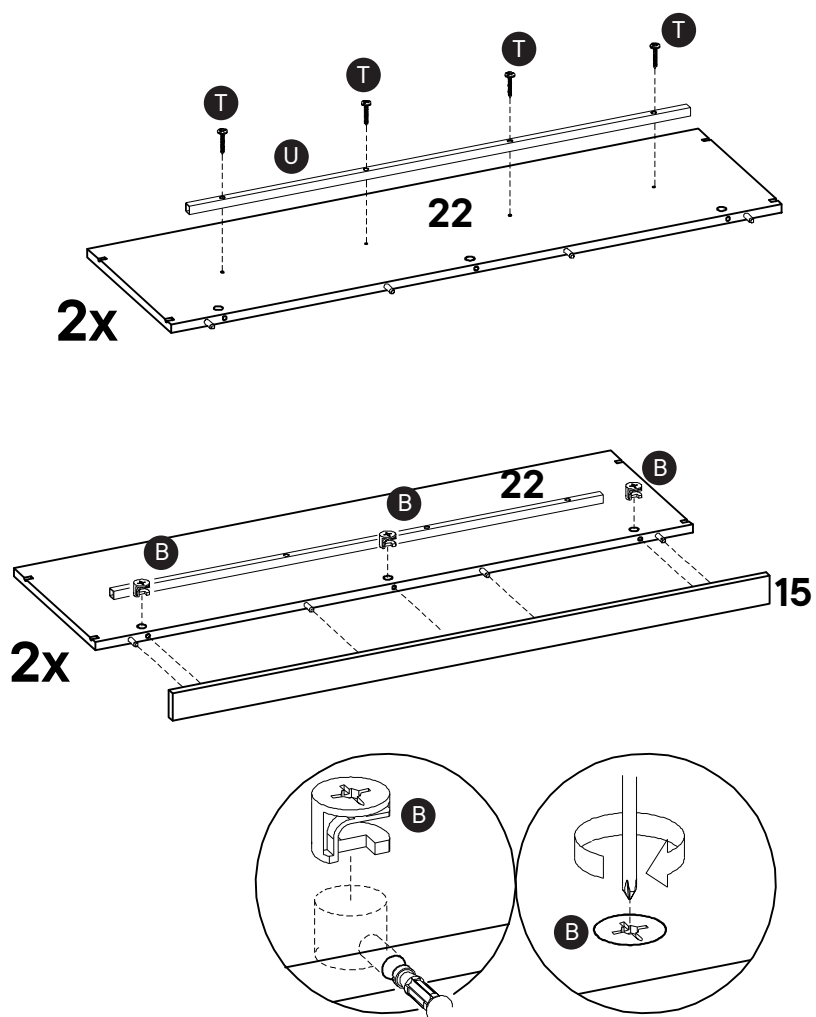
## Step 18

### COMPONENTS

15	Middle apron	x2
22	Adjustable shelf panel	x2

### HARDWARE

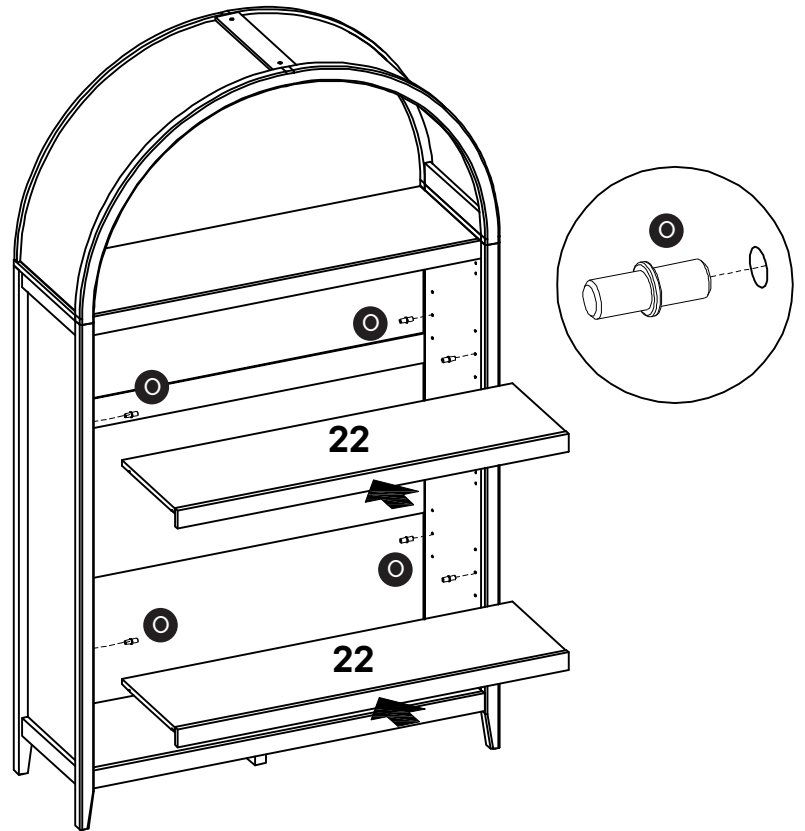
B	Camlock Ø15 x 12 mm	x6
T	Screw Ø12 x 25 mm	x8
U	Metal support	x2



# Step 19

## HARDWARE

- Shelf pin x8



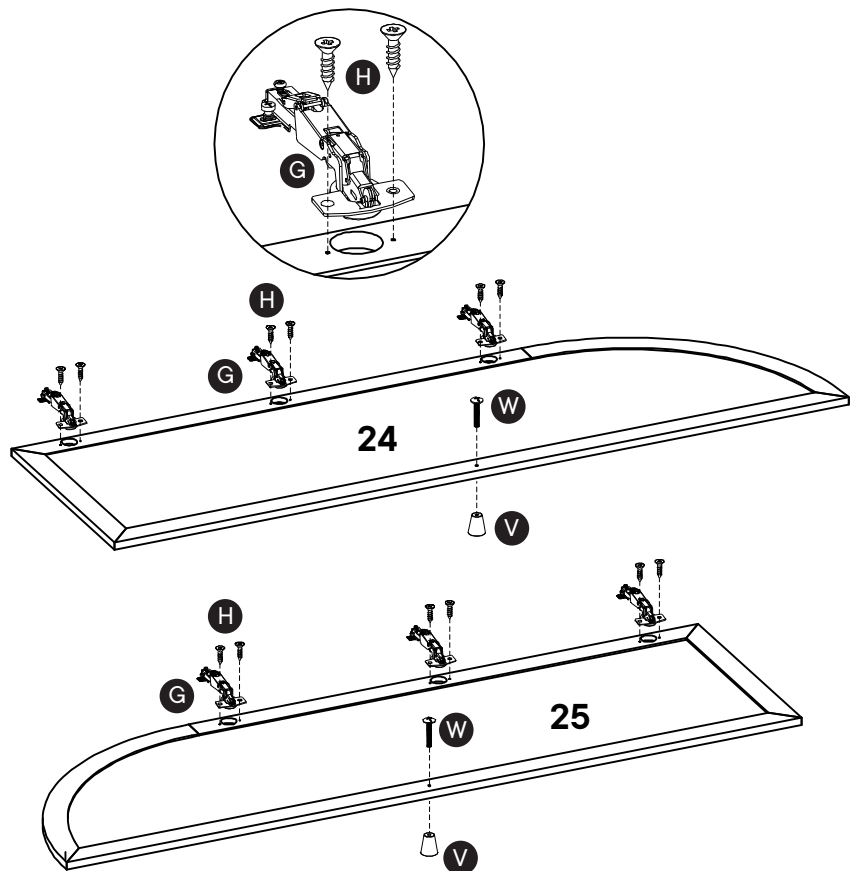
# Step 20

## COMPONENTS

- 24 Right door panel x1
- 25 Left door panel x1

## HARDWARE

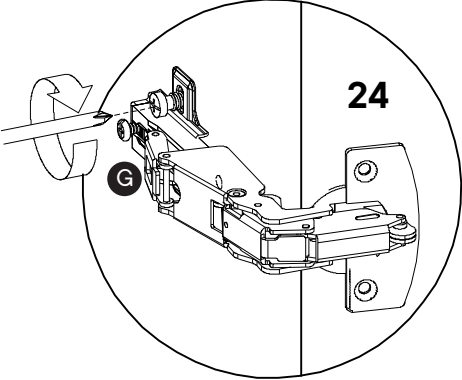
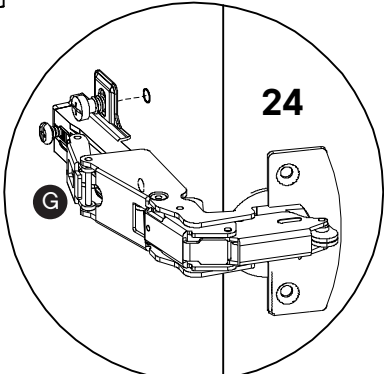
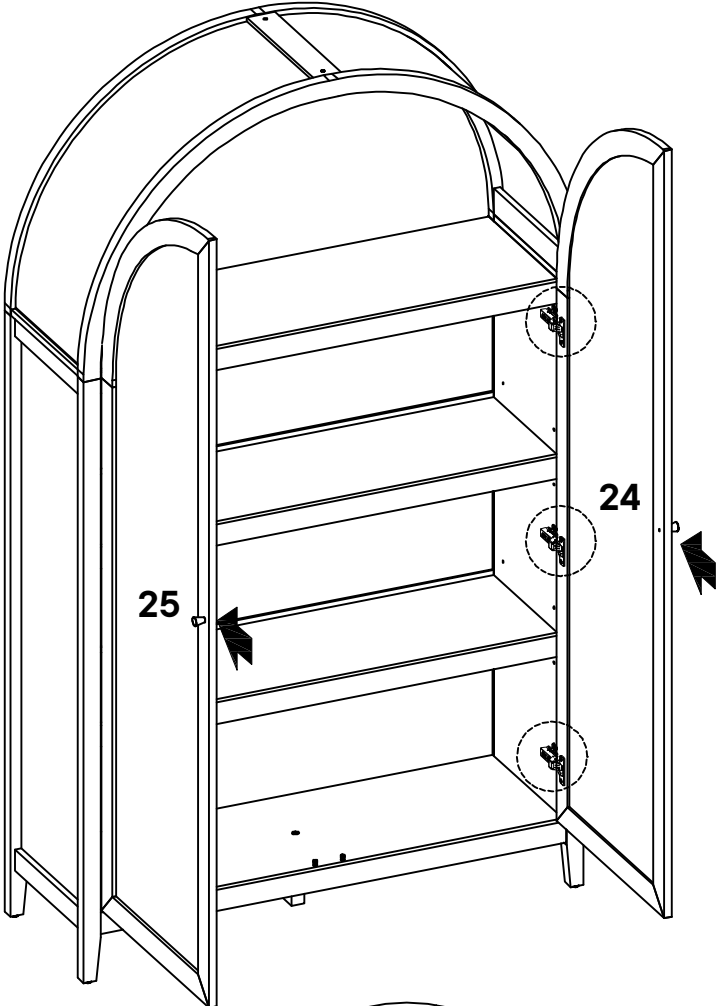
- G Hinge x6
- H Screw  $\varnothing 7 \times 13$  mm x12
- V Handle x2
- W Bolt M4 x 22 mm x2



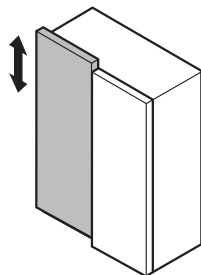
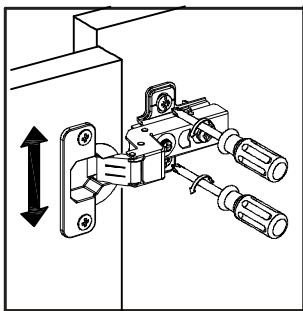
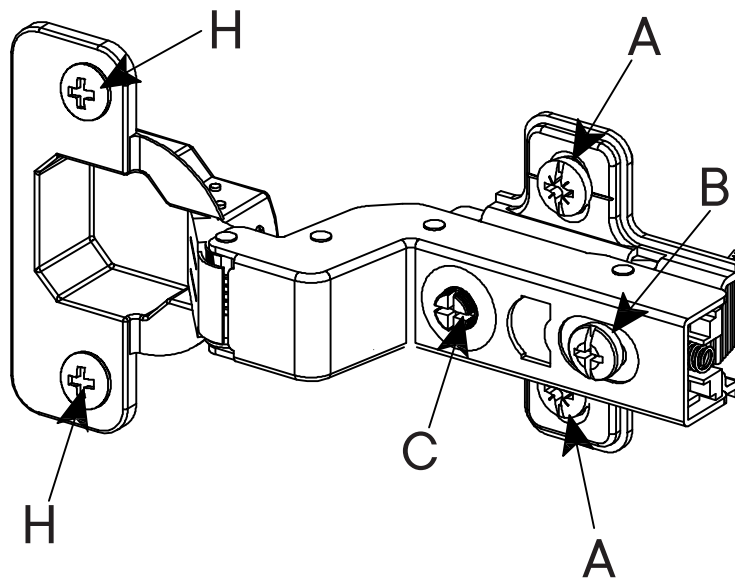
# Step 21

**COMPONENTS**

- 24 Right door panel x1
- 25 Left door panel x1

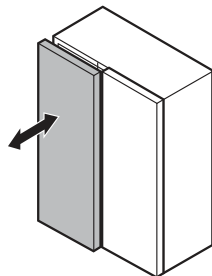
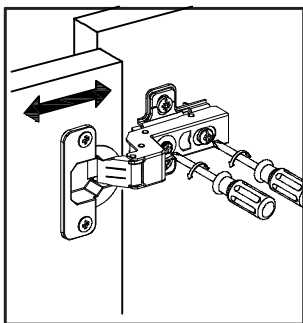


# Bookcase Door Alignment



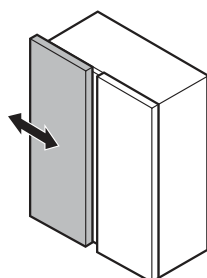
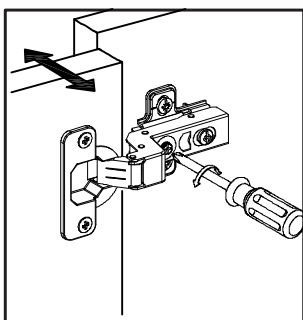
## To adjust the vertical height.

Loosen the two screws A on both hinges. Two of them are usually in slotted holes which allows you to adjust up or down by few mm. Then tighten back up.



## To adjust depth.

Loosen screw B and adjust door, if the door can not be adjusted, please loosen screw C, then try again. Tighten screw B and C.



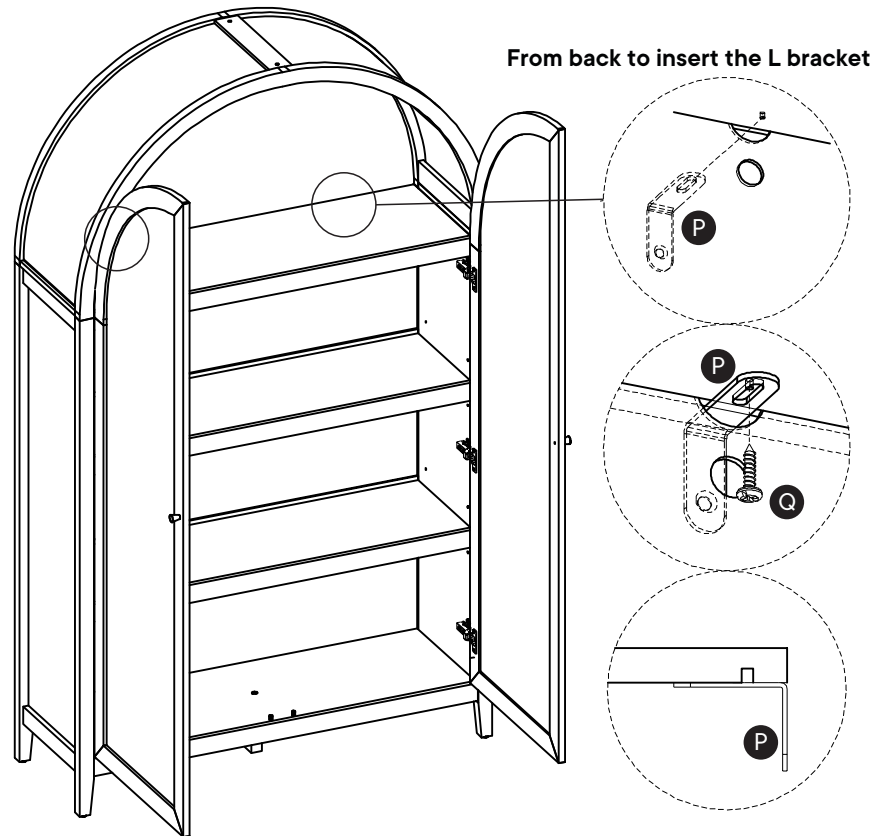
## To adjust side ways.

Turn screw C on BOTH hinges on each door.

# Step 22

## HARDWARE

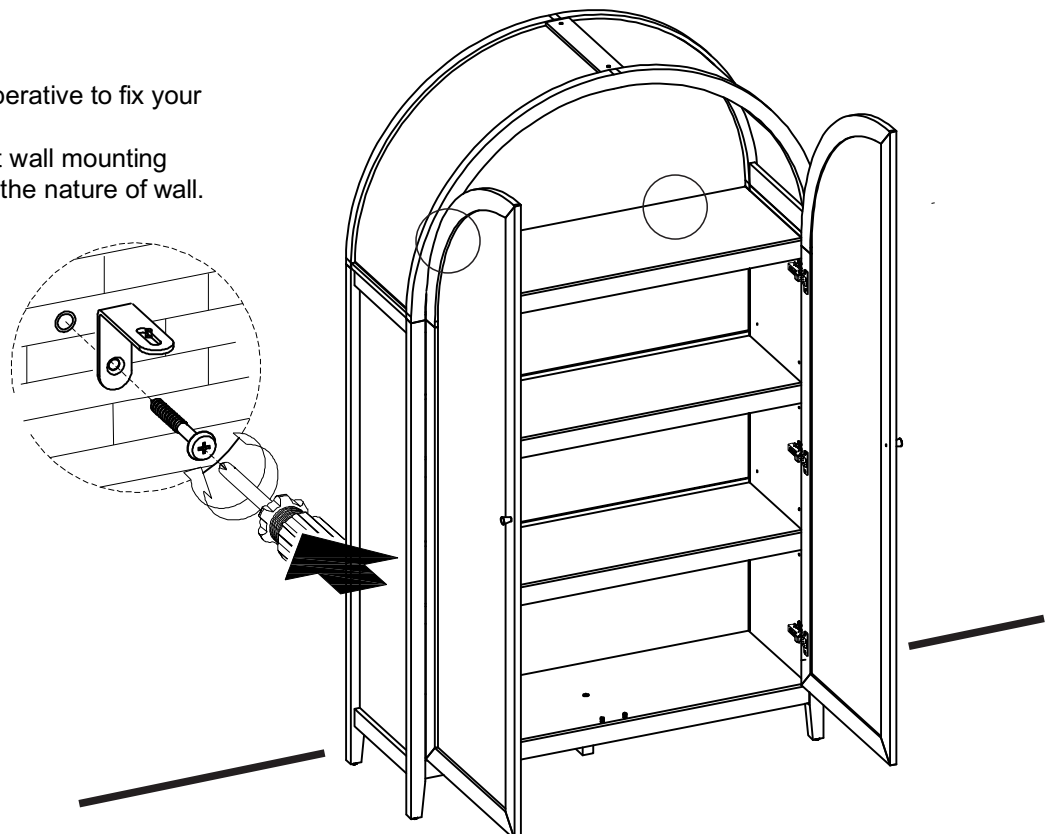
- |          |                                    |    |
|----------|------------------------------------|----|
| <b>P</b> | Screw $\varnothing 6 \times 12$ mm | x2 |
| <b>Q</b> | L bracket                          | x2 |



# Step 23

## ATTENTION:

For your safety it is imperative to fix your furniture to the wall.  
Please source the right wall mounting hardware according to the nature of wall.



# Step 24

## HARDWARE

- C** Cover cap x4
- X** Sticker x1



# Great job!

Your Bookcase is complete.

## ♥ CARING FOR YOUR ITEM

Depending on use, it may be necessary to tighten the hardware from time to time, so please save the tools that have been provided.

Not contract grade.

Clean using a non-abrasive cloth and a mild cleaner.

CONNECT WITH US!   

Tag us @modway\_furniture and #modway for a chance to be featured.

