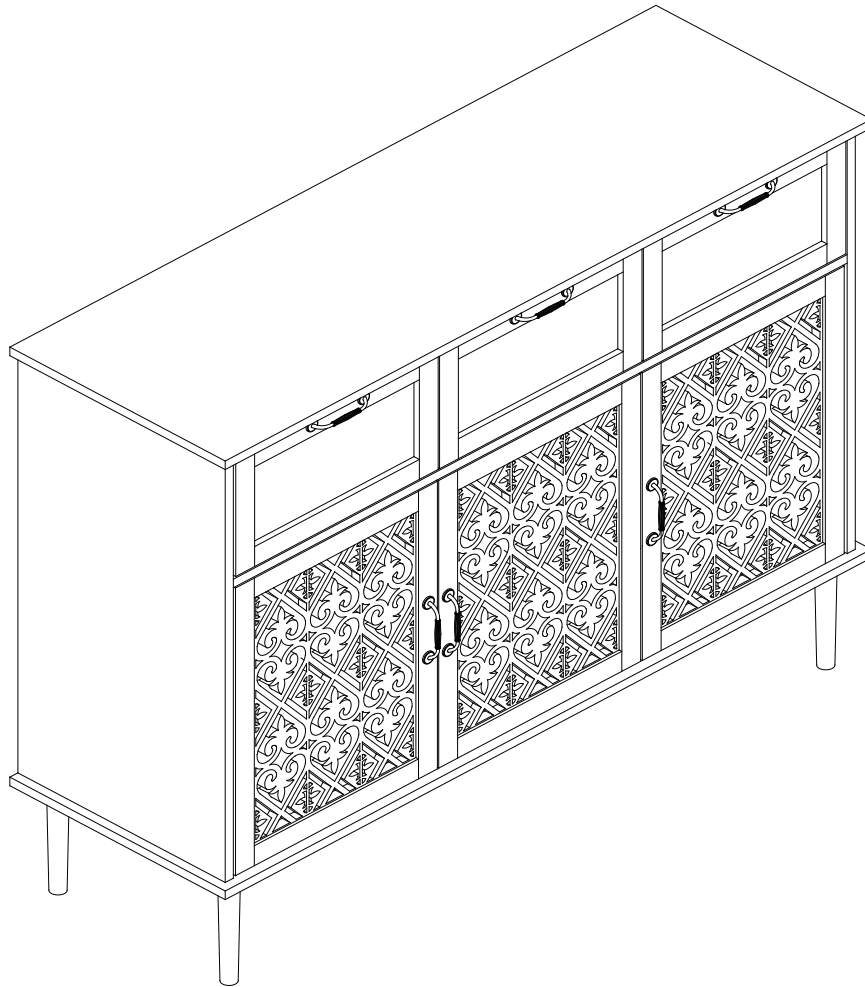


Installation Instruction



Product Name

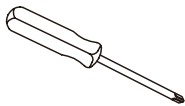
3 Door 3 Drawer Cabinet

Ver.1.0 20230810

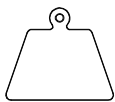
Assembling

What you need

- Use the packaging carton as a working surface to prevent product damage during assembly
- Phillips head screwdriver



Weight Limitation



50 | **20** | **11**
lbs table top | lbs per shelf | lbs per drawer

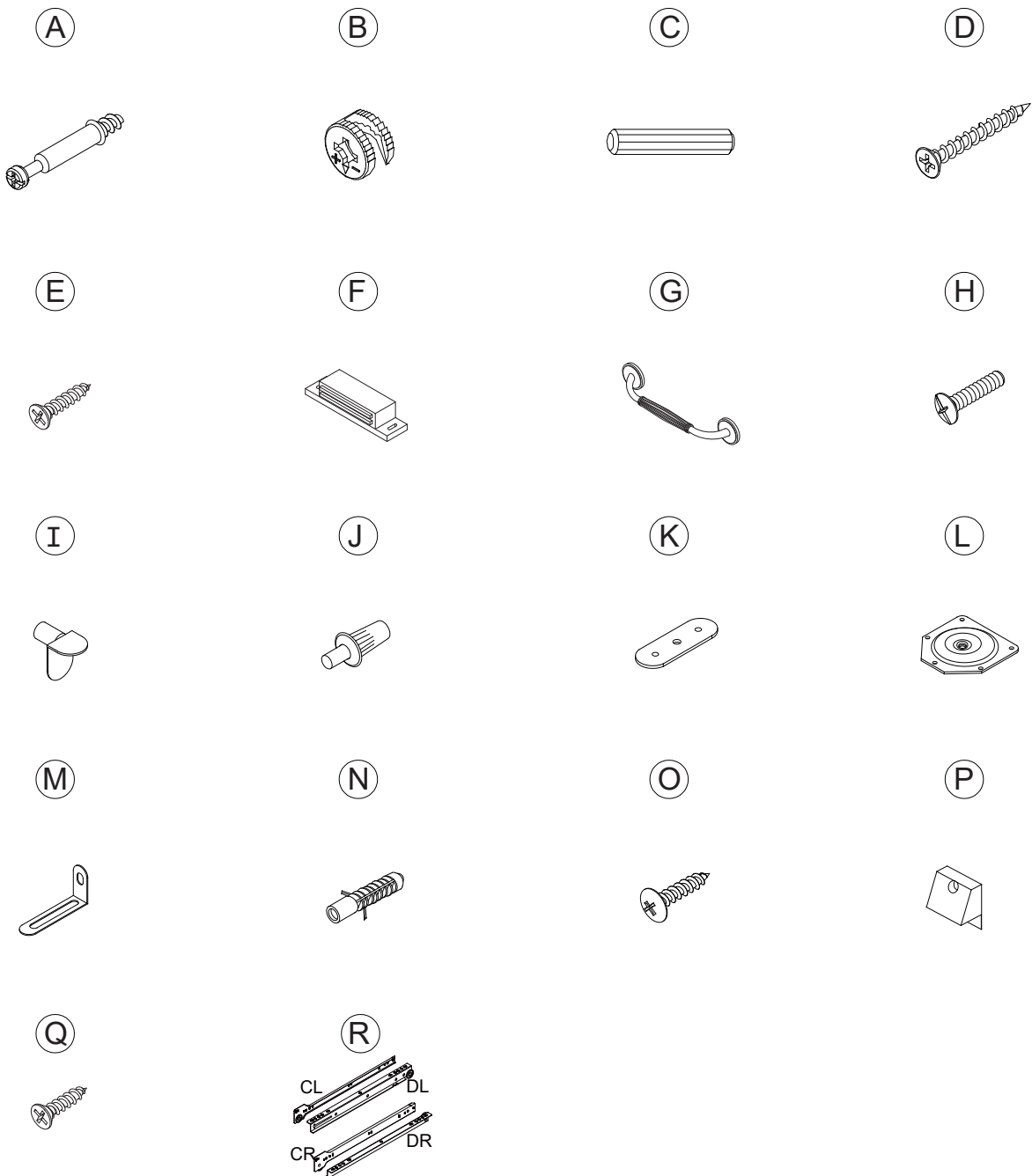


2 PERSONS

What 's included

Code	Description	Qty
A	Cam Bolt M6X35MM	34
B	Cam Lock 15X10MM	34
C	Wooden Dowel M6X30MM	24
D	Screw M4X35MM	24
E	Screw M3X14MM	22
F	Magnetic Door Catcher	4
G	Handle	6
H	Bolt M4X18MM	12
I	Metal Support	8
J	Metal Pin	6
K	Door Metal Plate	6
L	Metal Pin	5
M	Metal Plate	2
N	Anchor M6X30MM	2
O	Screw M4X14MM	29
P	Plastic Corner Support	8
Q	Screw M3X12MM	36
R	Slide Sets	3

The hardwares



IMPORTANT :

1. Do not tighten bolts / screws completely until all bolts / screws are lined up and inserted into holes.
2. Do not over tighten screws and bolts to avoid stripping.
3. Please use hand tools to assemble this product. Do not use power tools.
4. Must need 2 people to assemble this product.

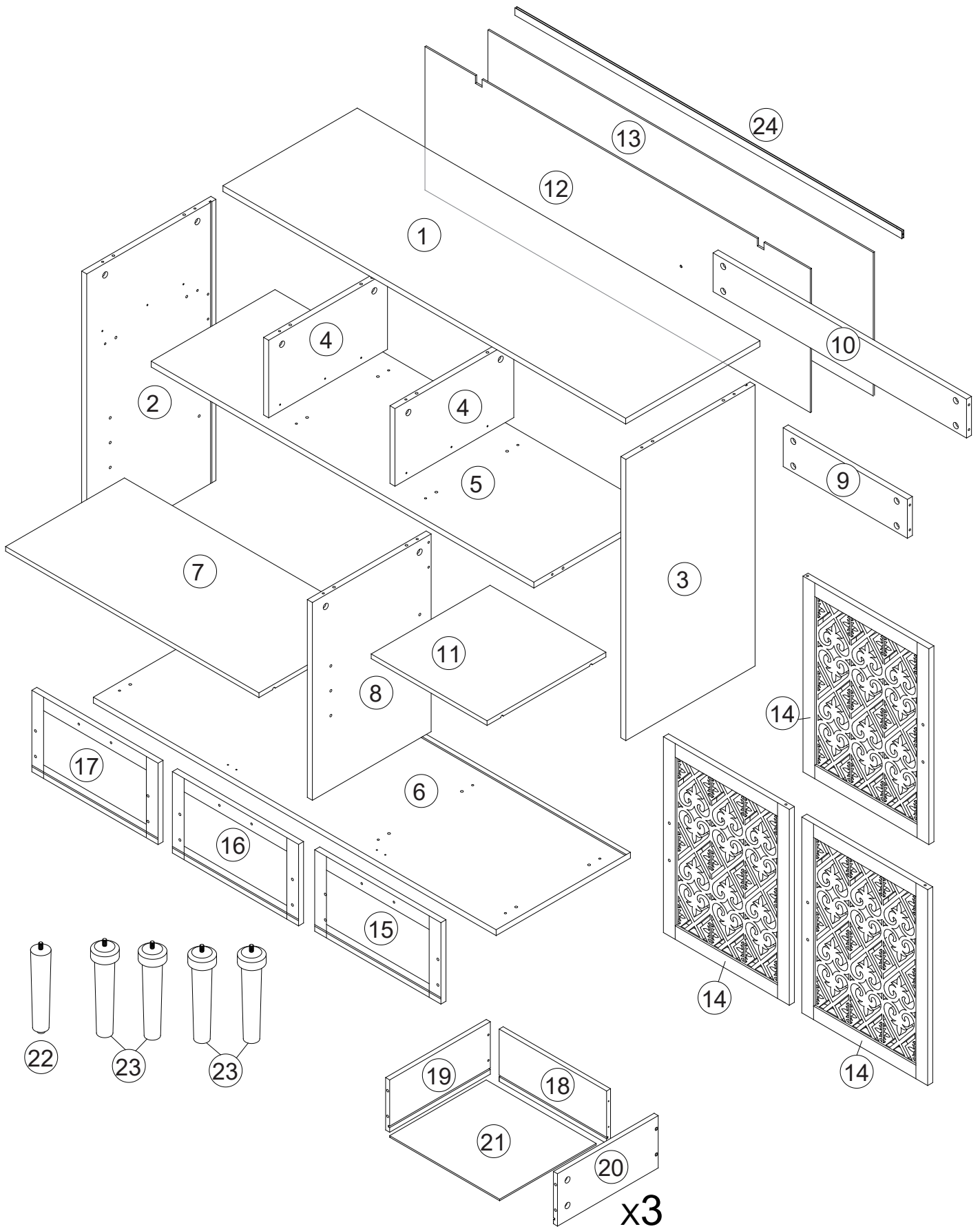


2 PERSONS

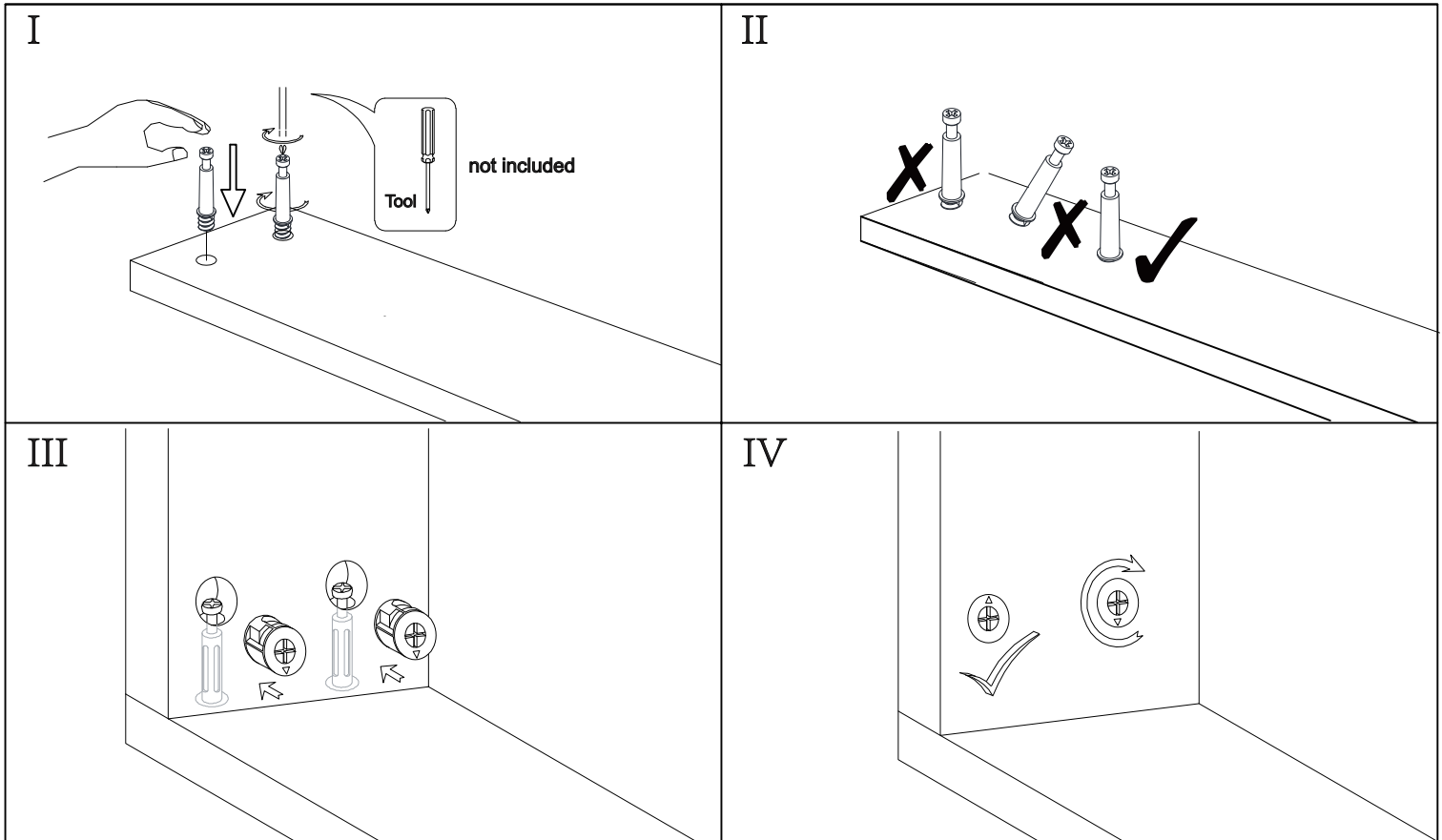
Included Accessories

Code	Description	Qty
1	Cabinet Top	1
2	Left Side Panel	1
3	Right Side Panel	1
4	Upper Middle Side Panel	2
5	Middle Shelf Panel	1
6	Bottom Panel	1
7	Big Shelf	1
8	Lower Middle Side Panel	1
9	Right Back Support Panel	1
10	Left Back Support Panel	1
11	Small Shelf	1
12	Upper Back Panel	1
13	Lower Back Panel	1
14	Door	3
15	Right Drawer Front Panel	1
16	Middle Drawer Front Panel	1
17	Left Drawer Front Panel	1
18	Drawer Back Panel	3
19	Drawer Left Side Panel	3
20	Drawer Right Side Panel	3
21	Drawer Bottom Panel	3
22	Middle Foot	1
23	Feet	4
24	Back Stretcher	1

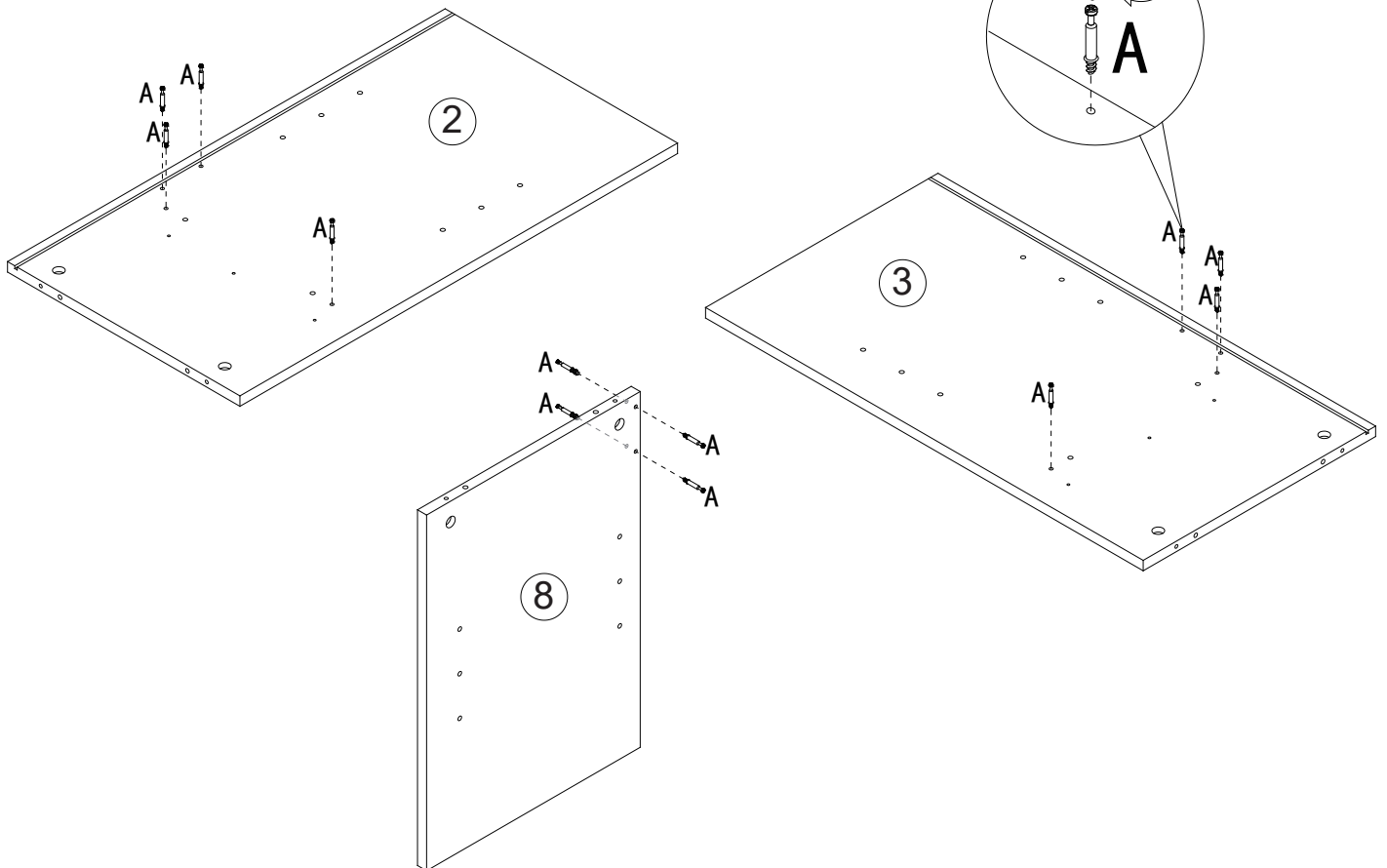
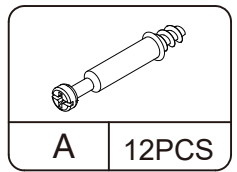
The Accessoriess



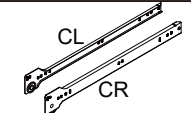

NOTED:

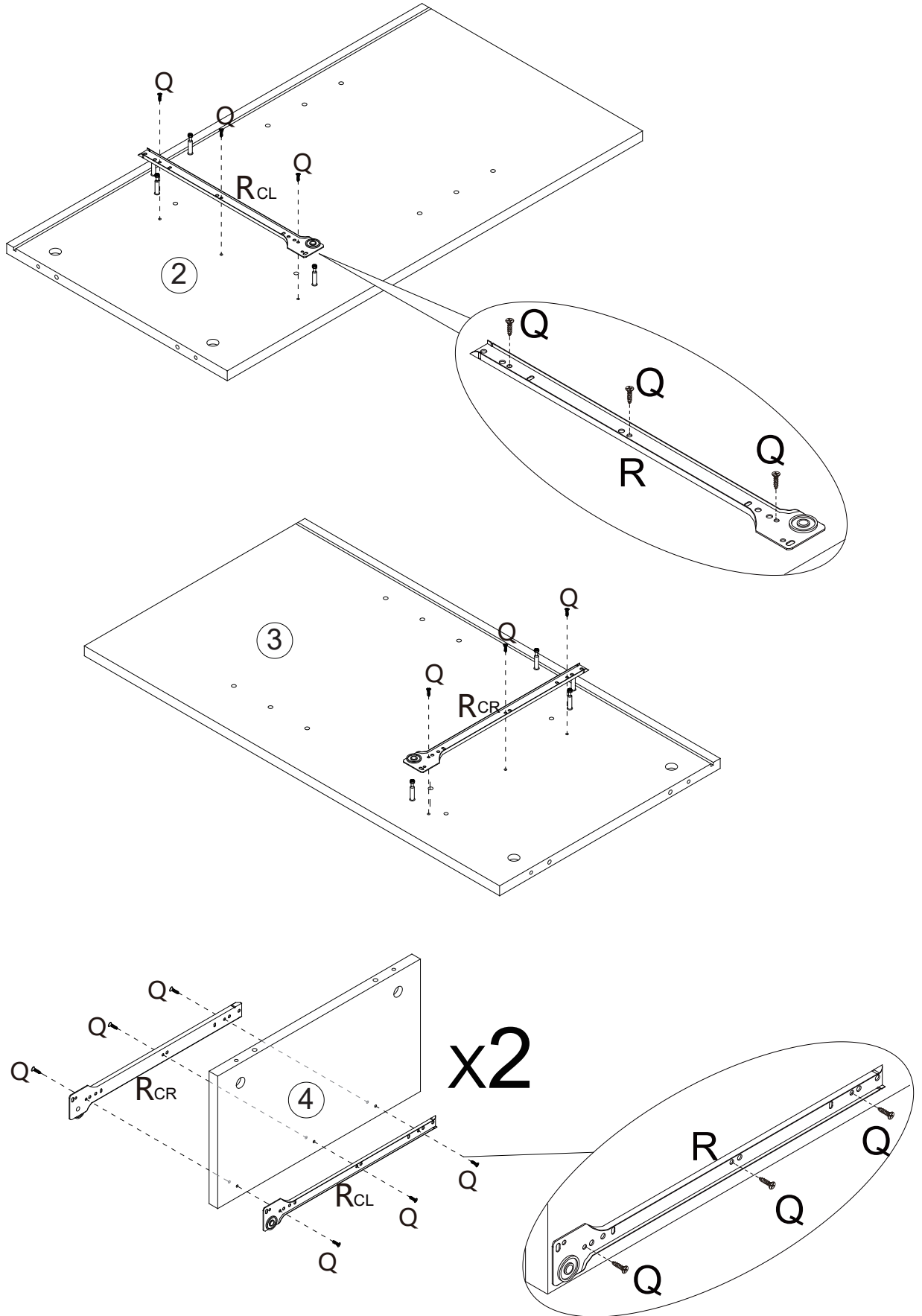


Step 1

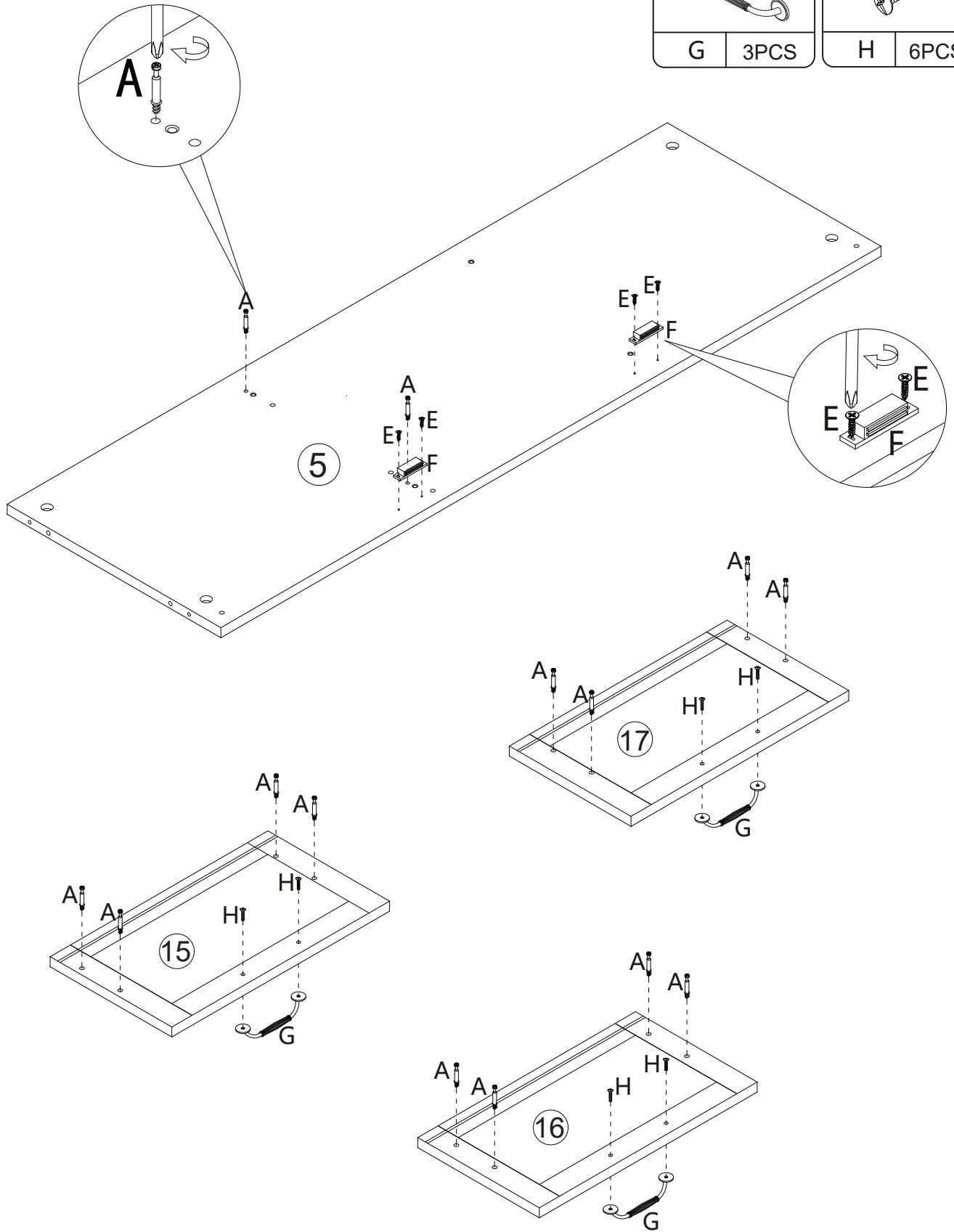
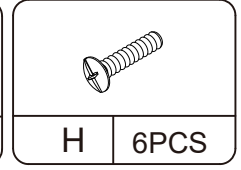
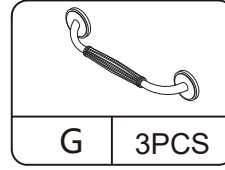
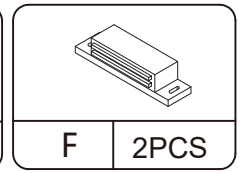
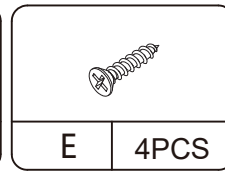
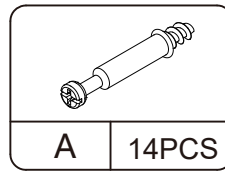


Step 2

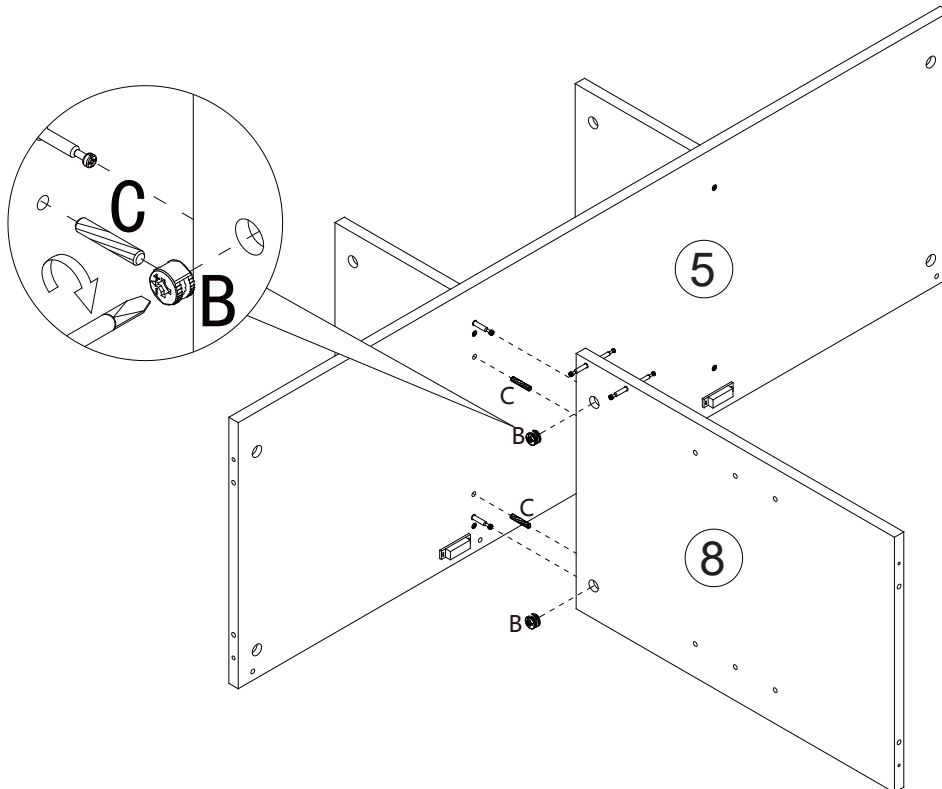
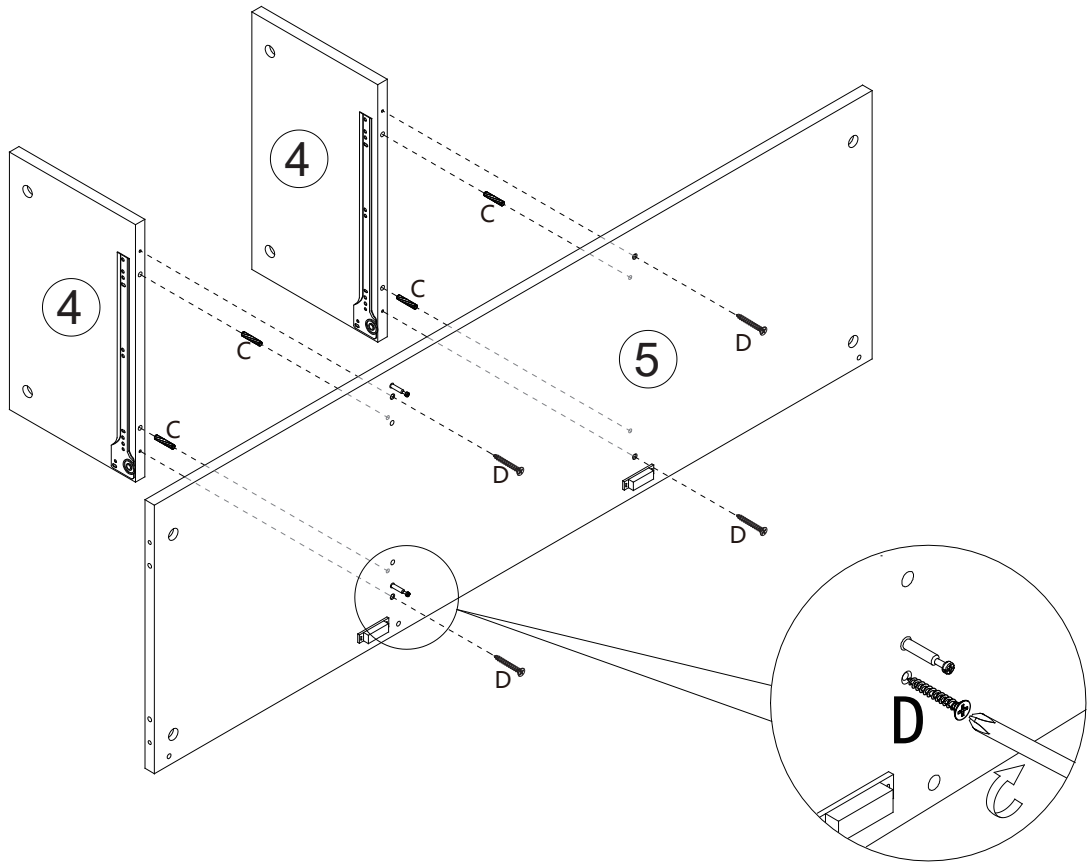
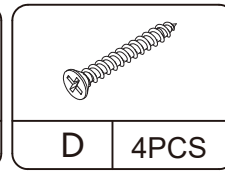
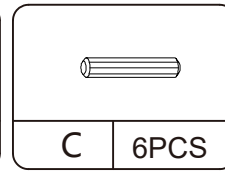
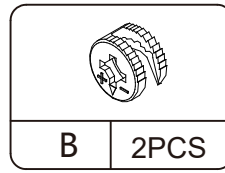
			
R	3PCS	Q	18PCS





Step 3

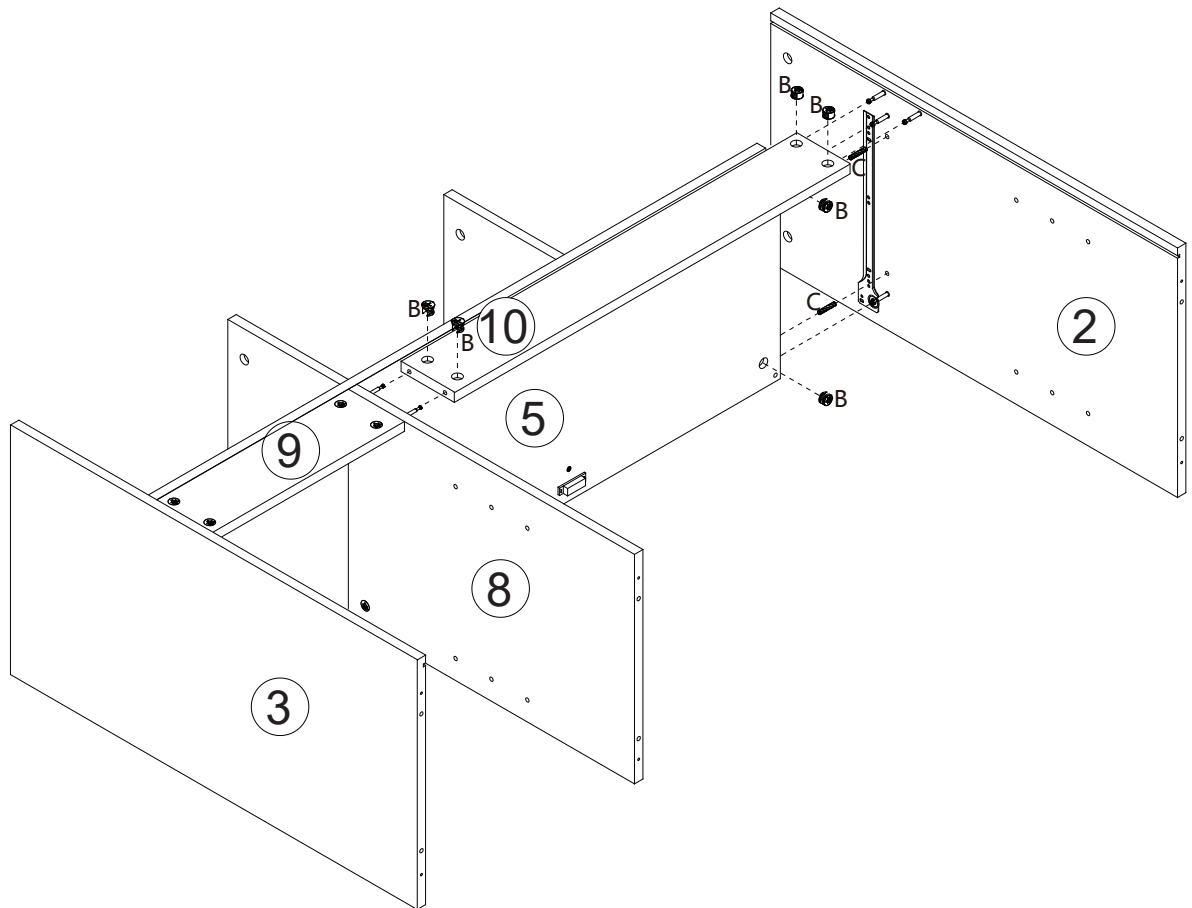
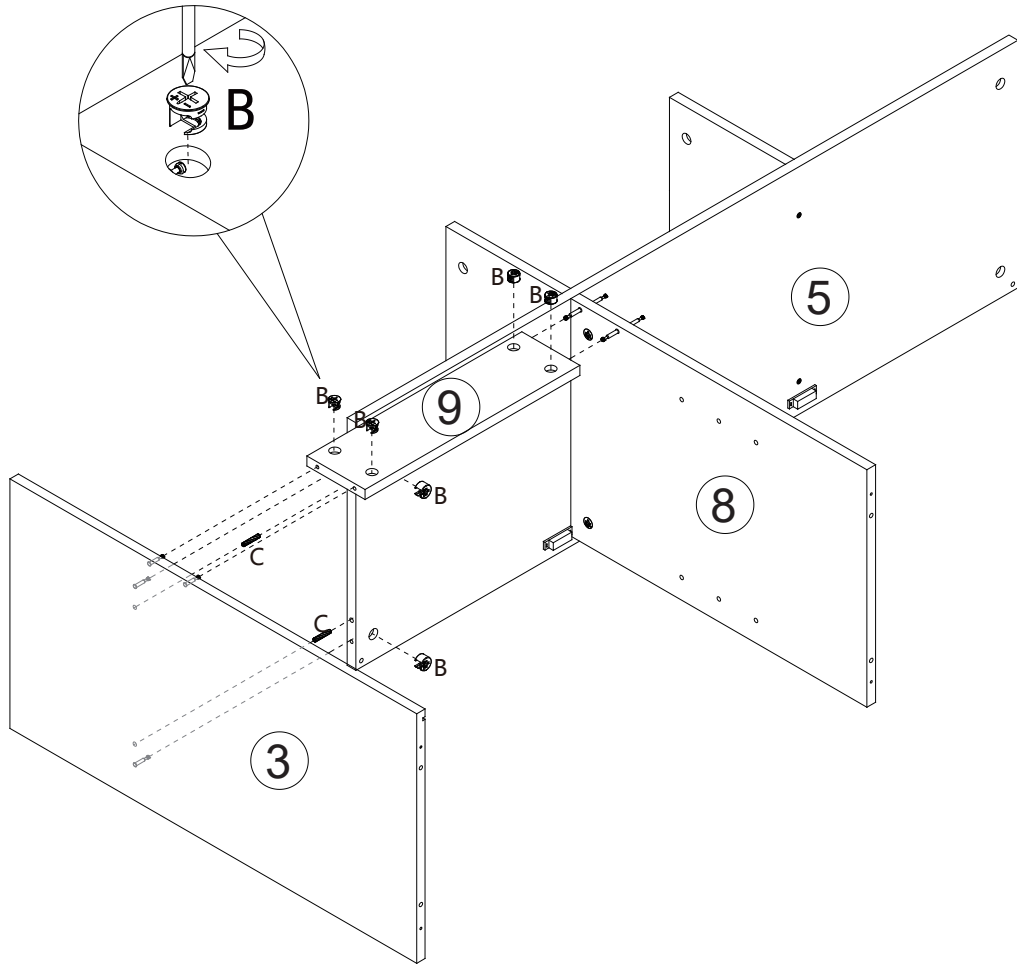


Step 4

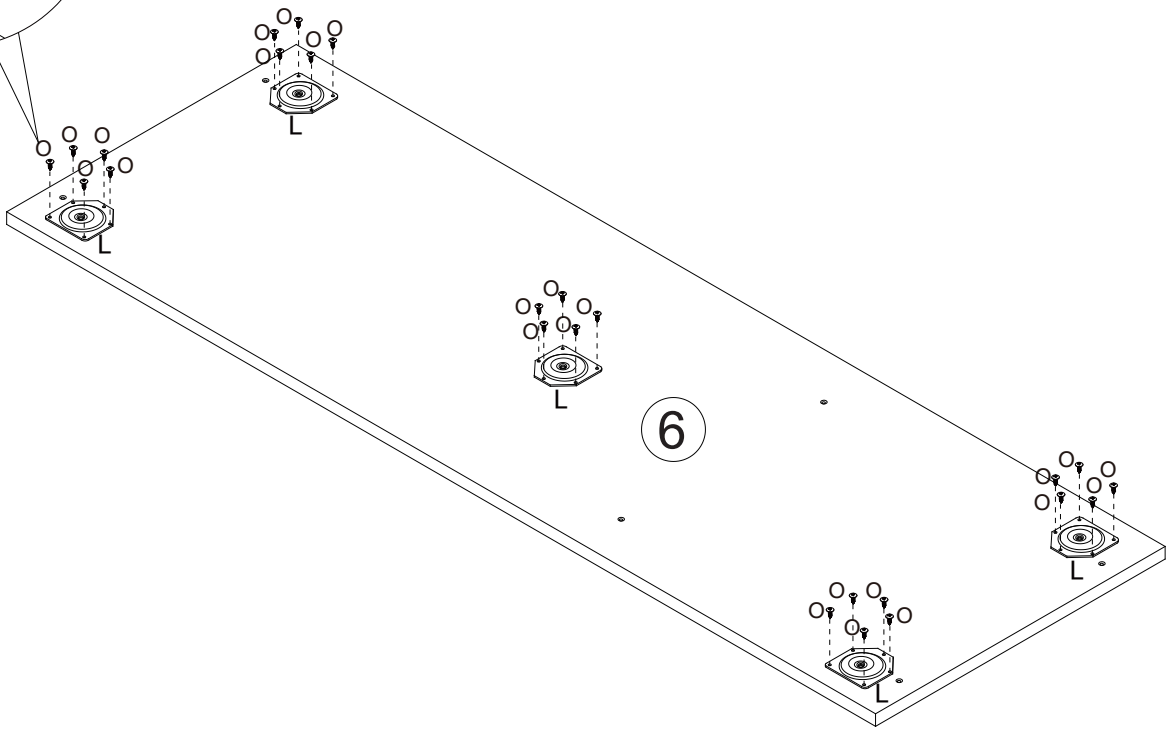
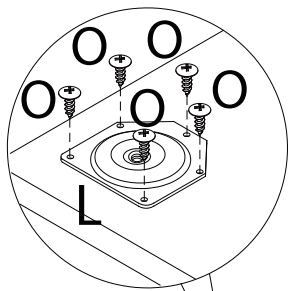
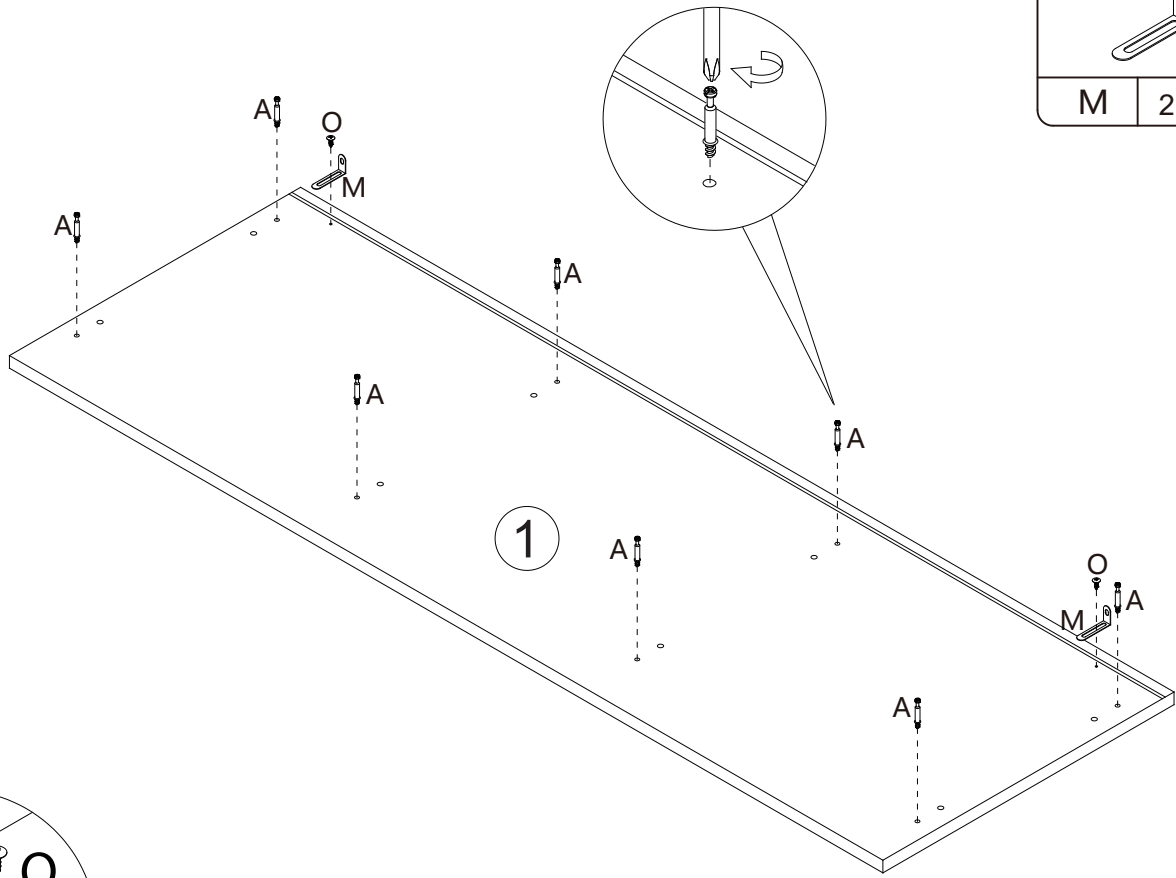
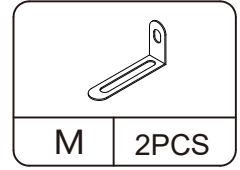
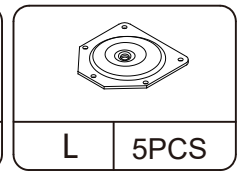
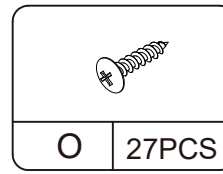
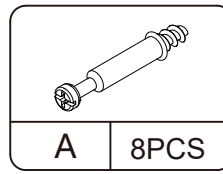


Step 5


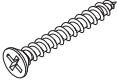
	
B	12PCS
C	4PCS

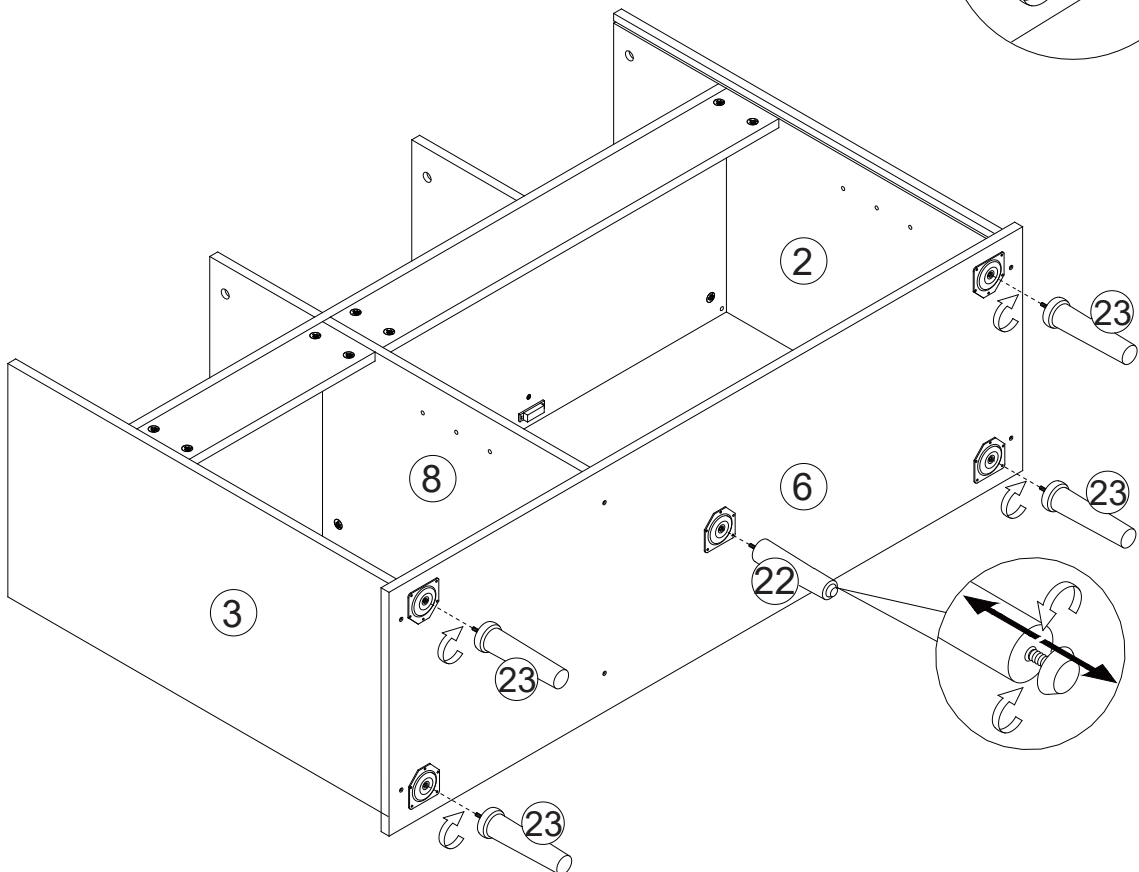
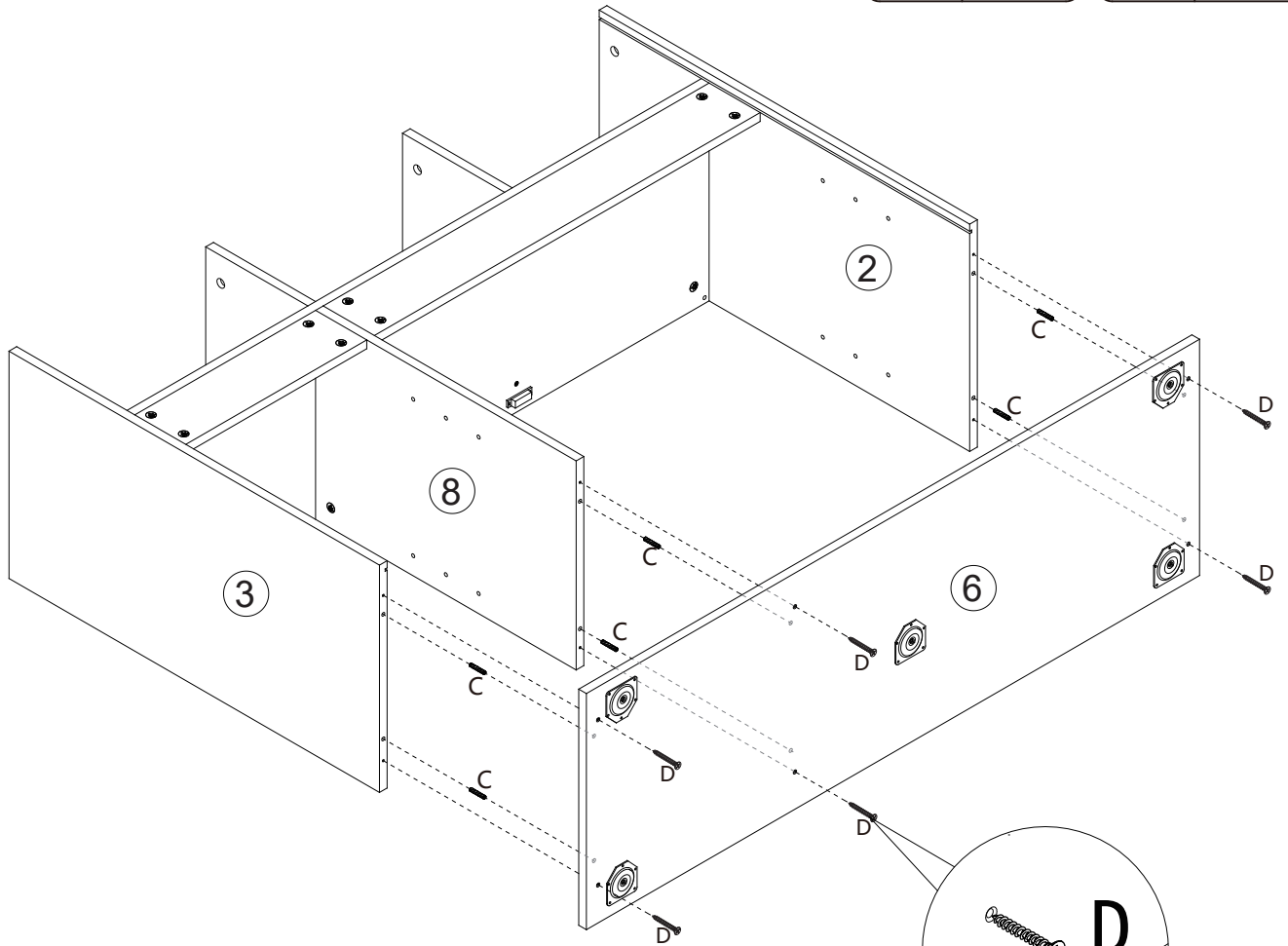


Step 6

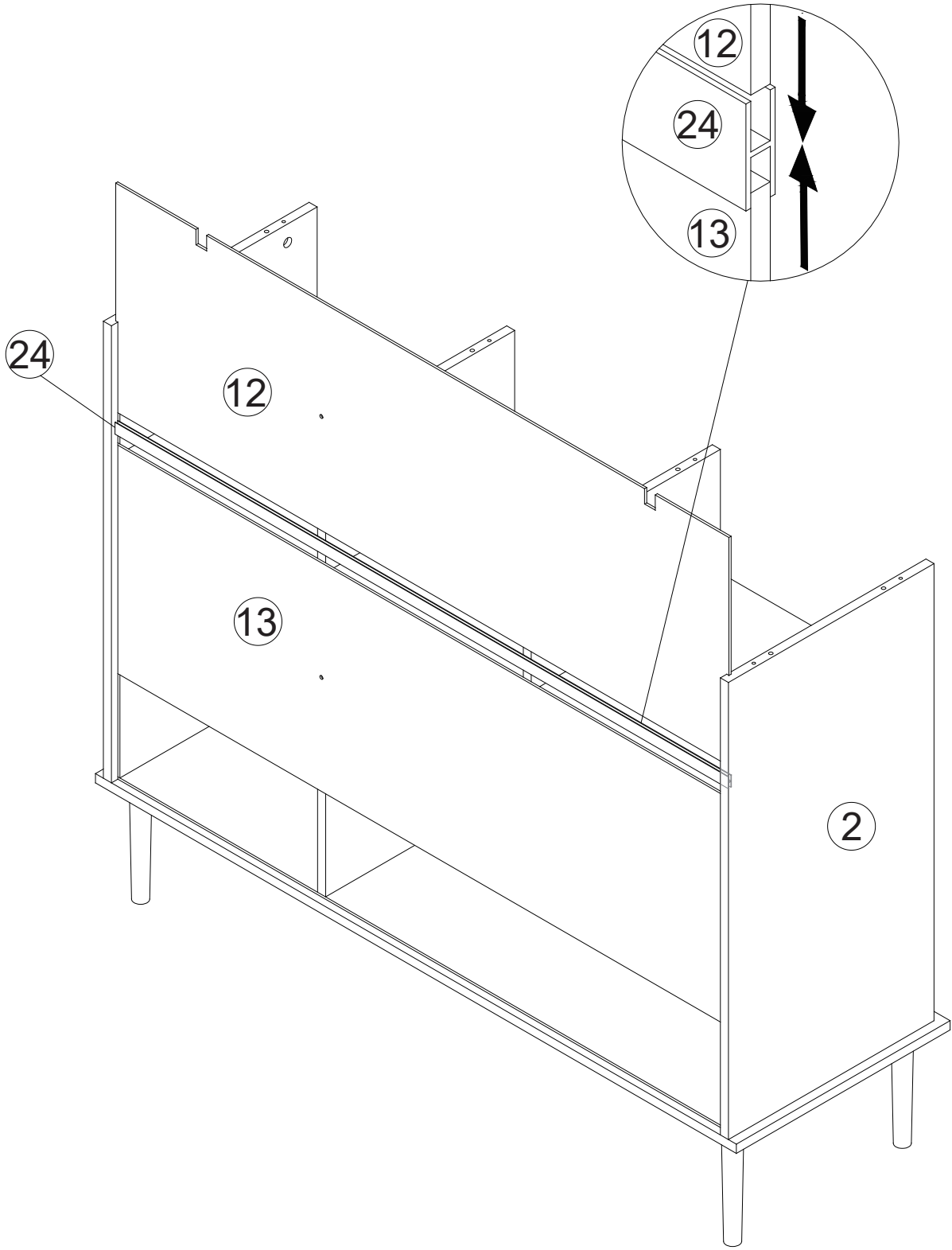


Step 7

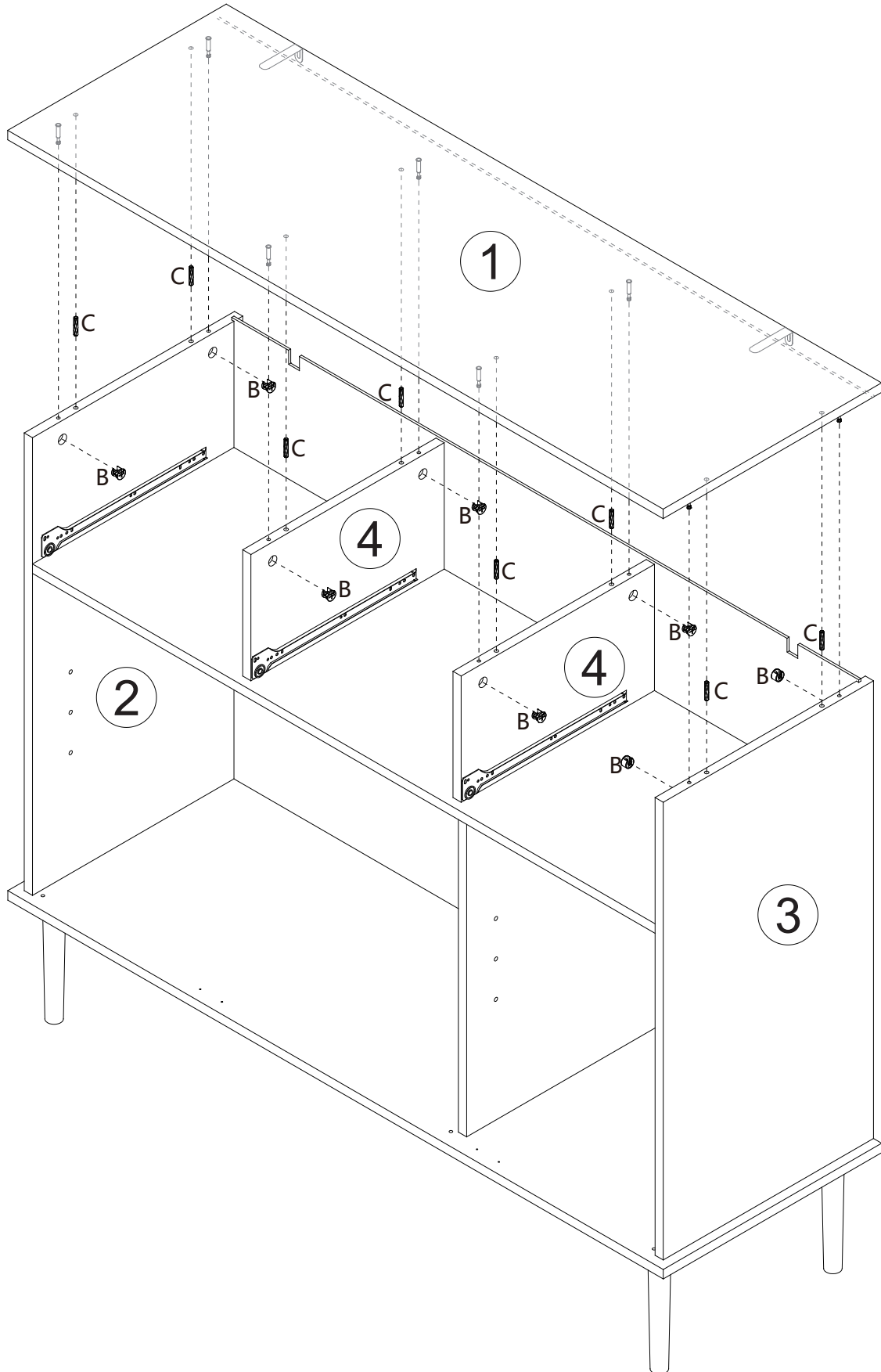
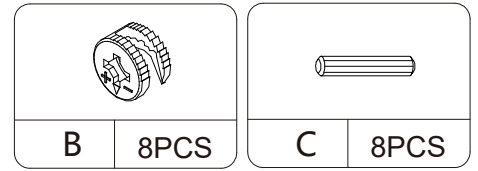
	
C	6PCS
D	6PCS




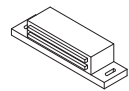
Step 8

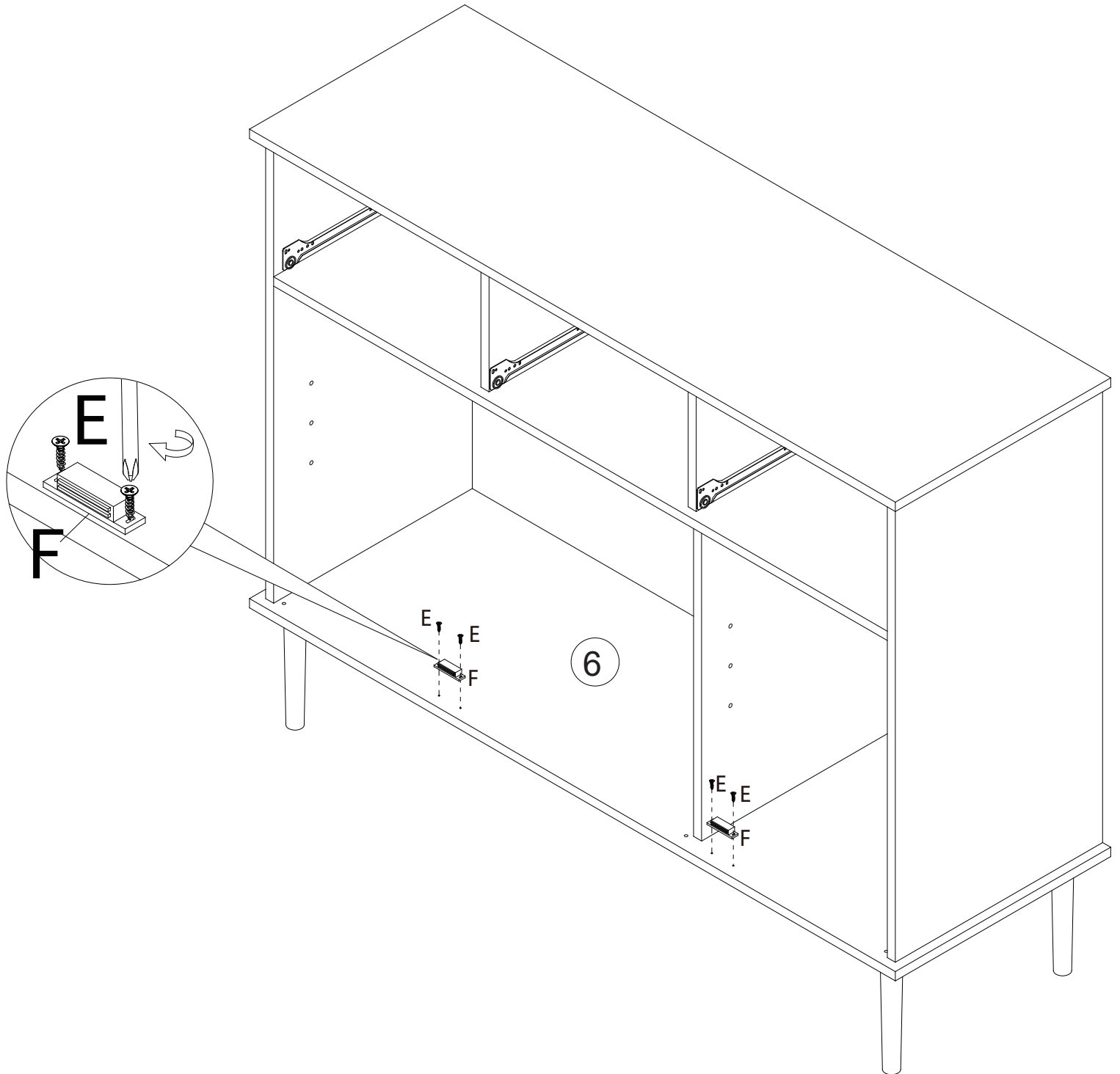


Step 9




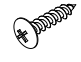
Step 10

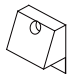
			
E	4PCS	F	2PCS

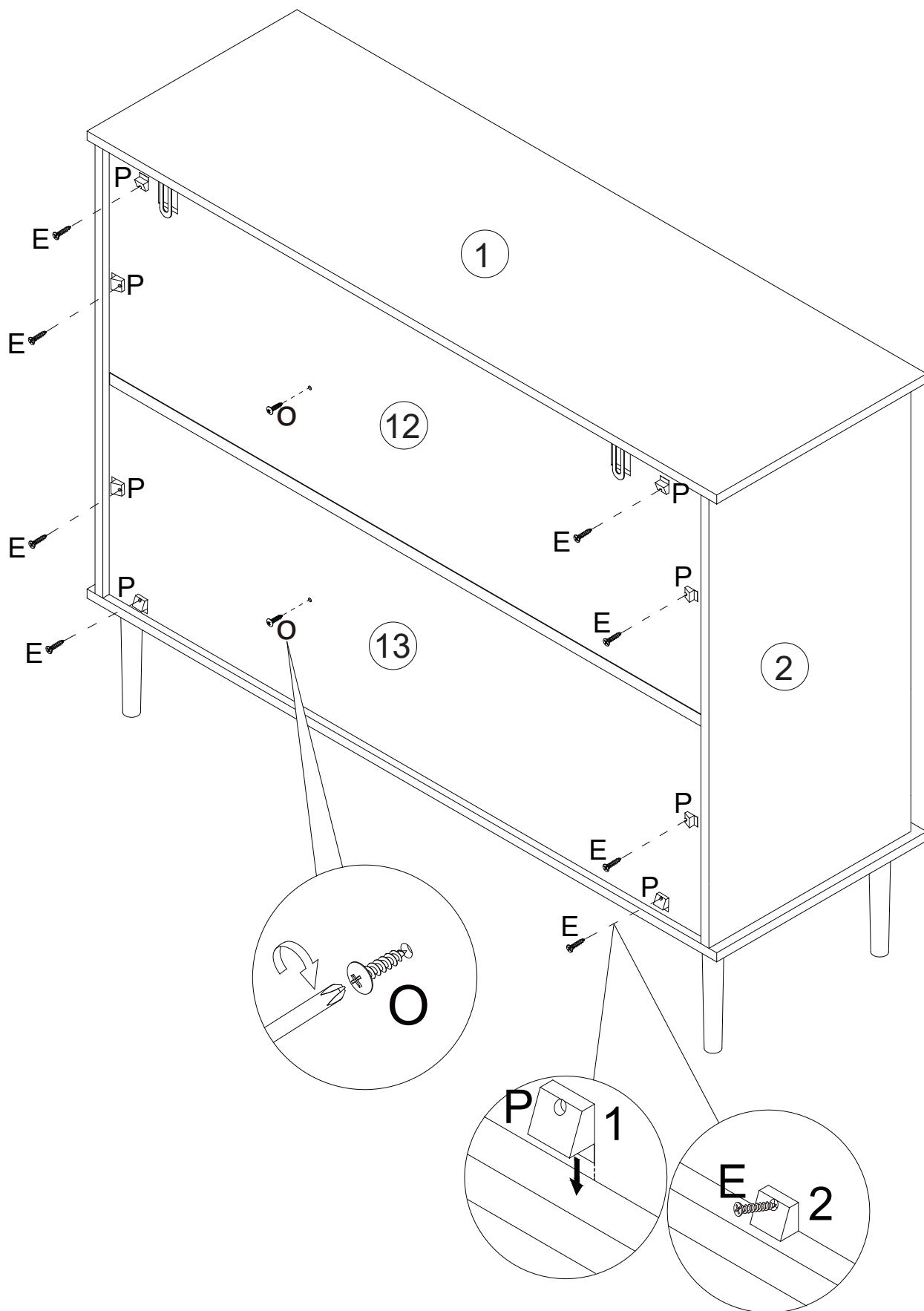


Step 11

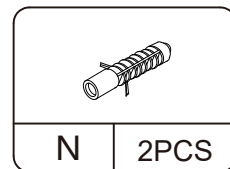
	
E	8PCS

	
O	2PCS

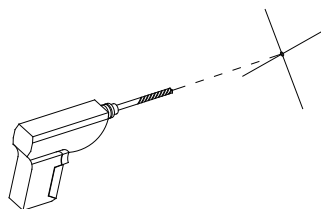
	
P	8PCS



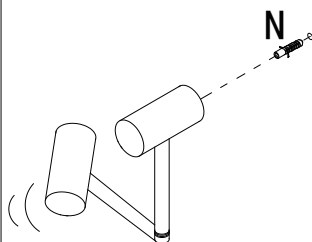
Step 12



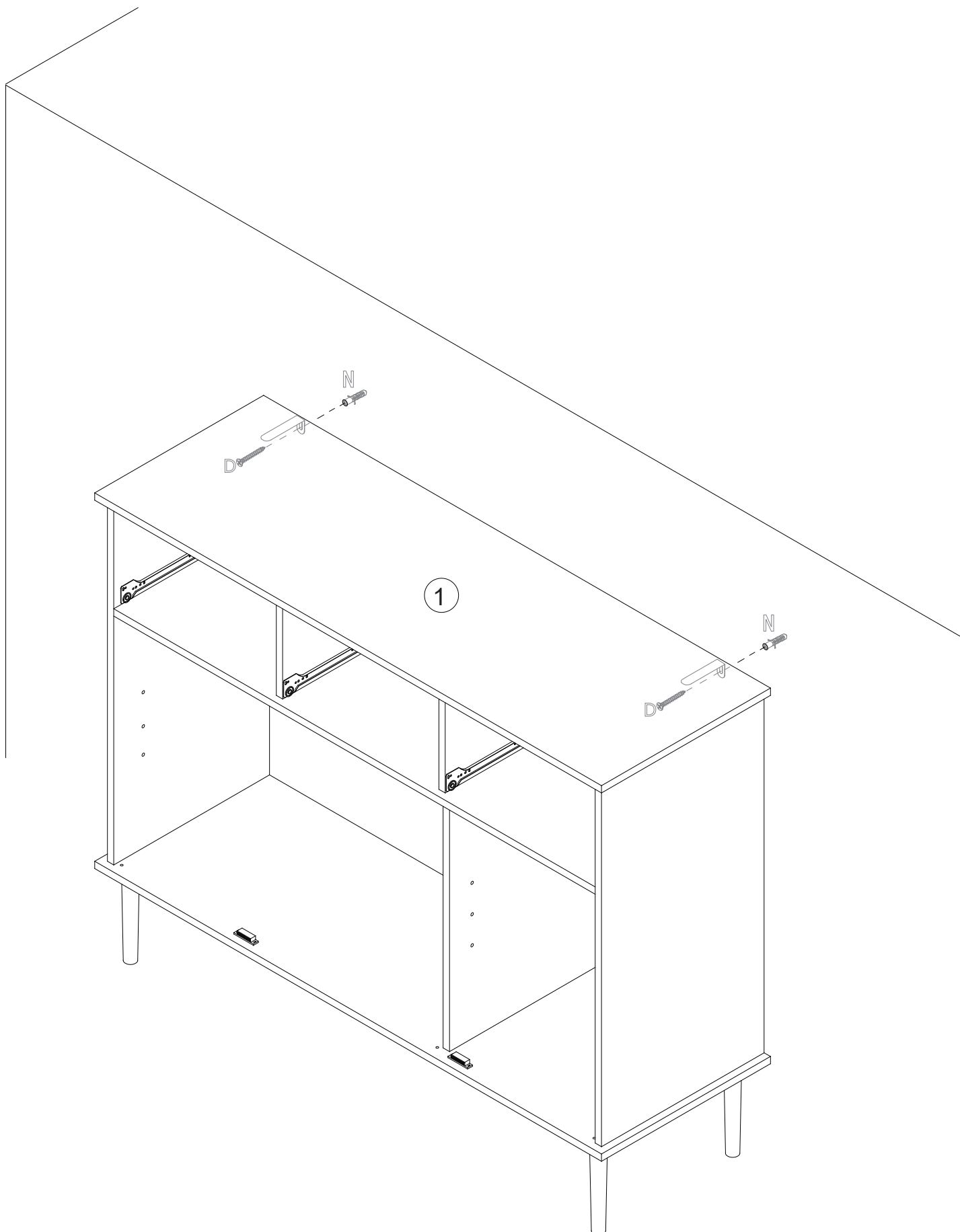
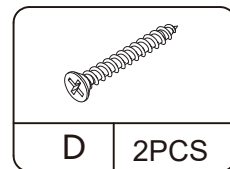
1



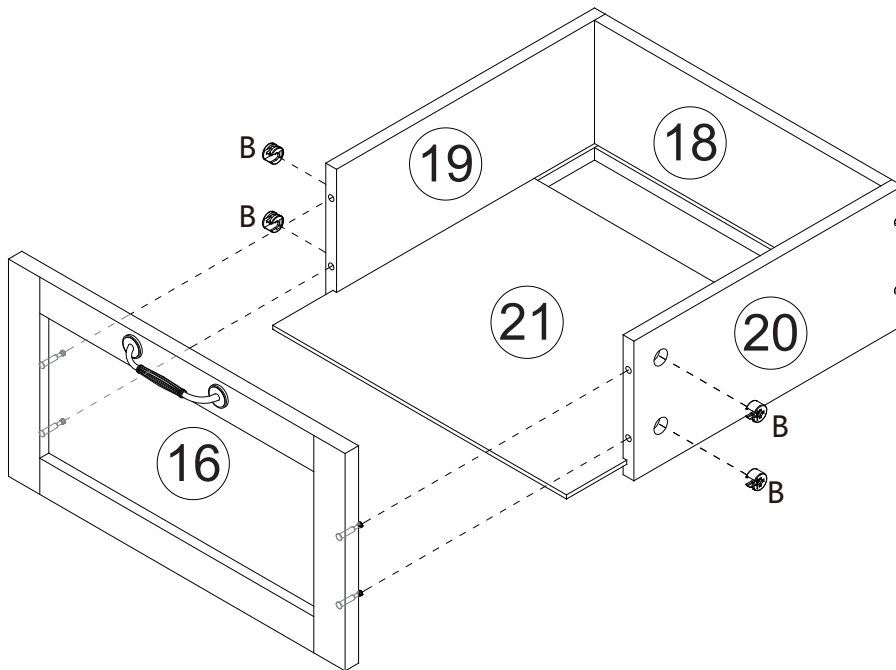
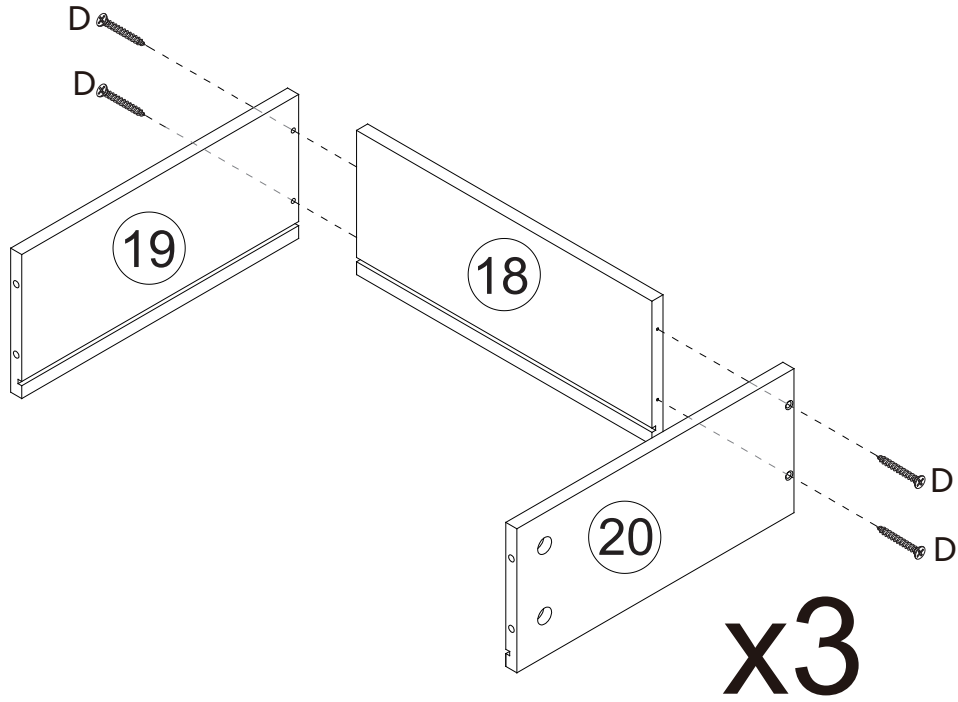
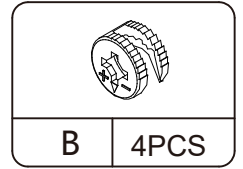
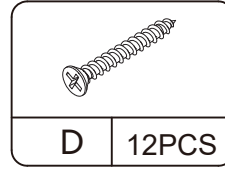
2



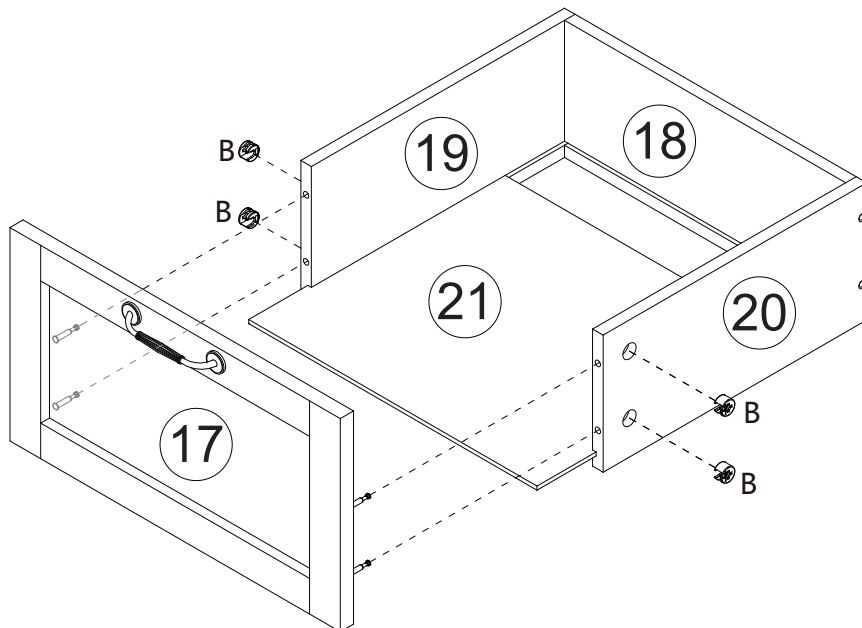
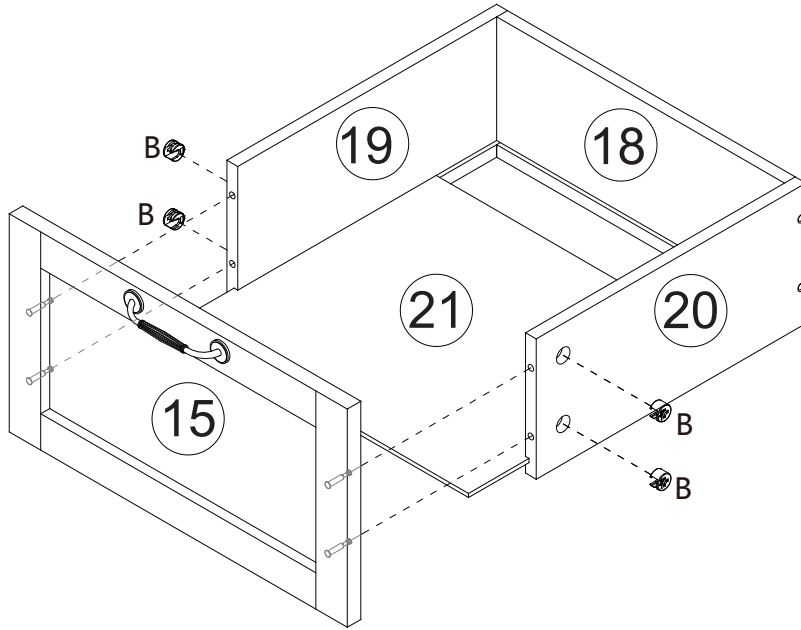
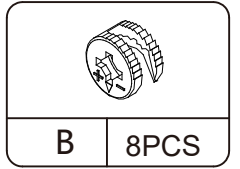
Step 13



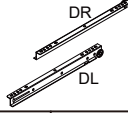

Step 14

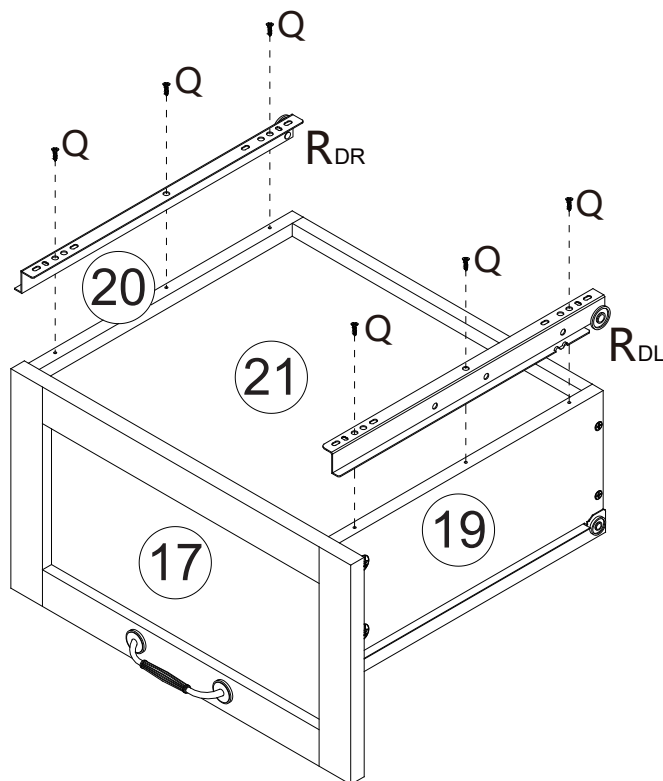
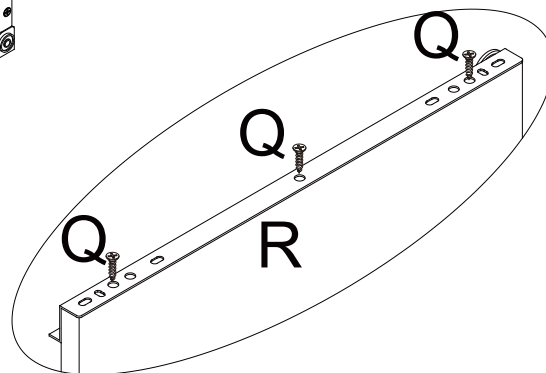
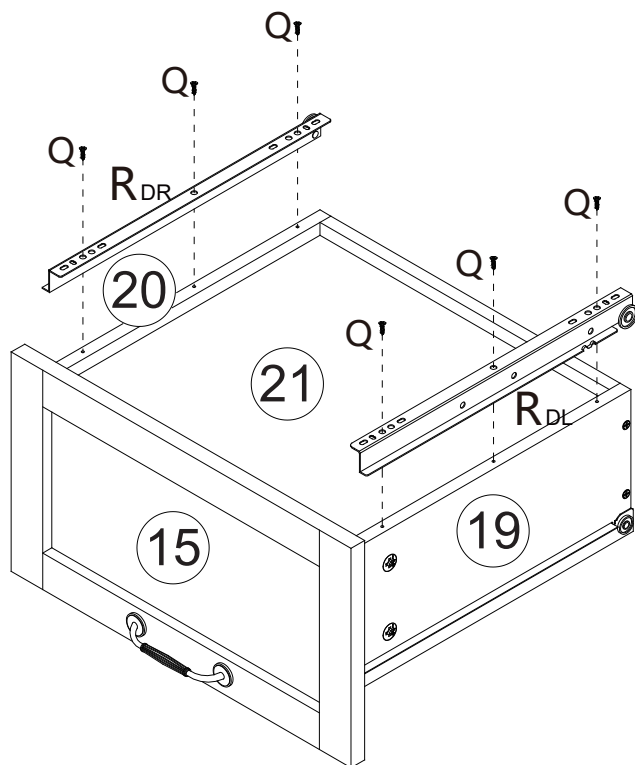


Step 15

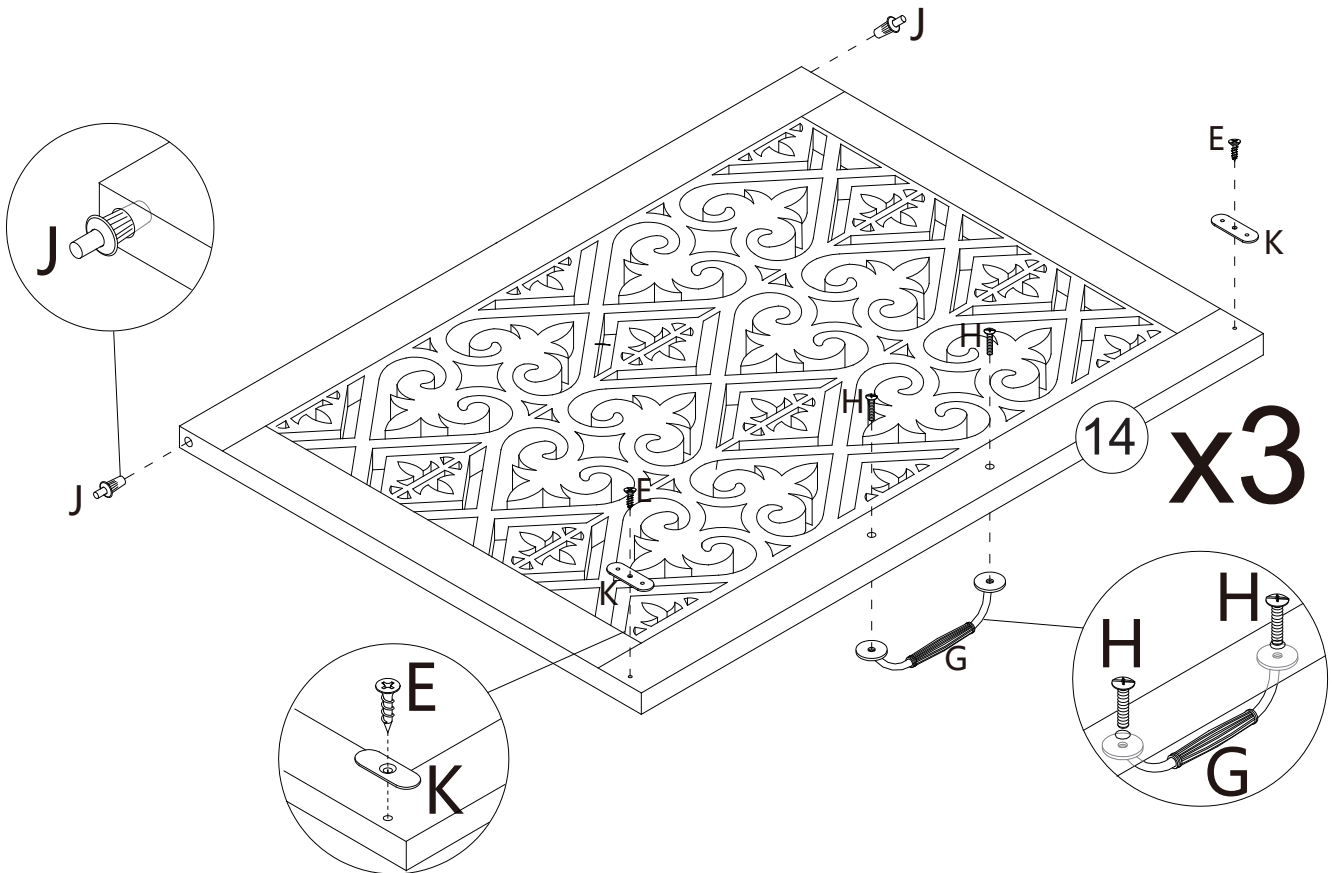
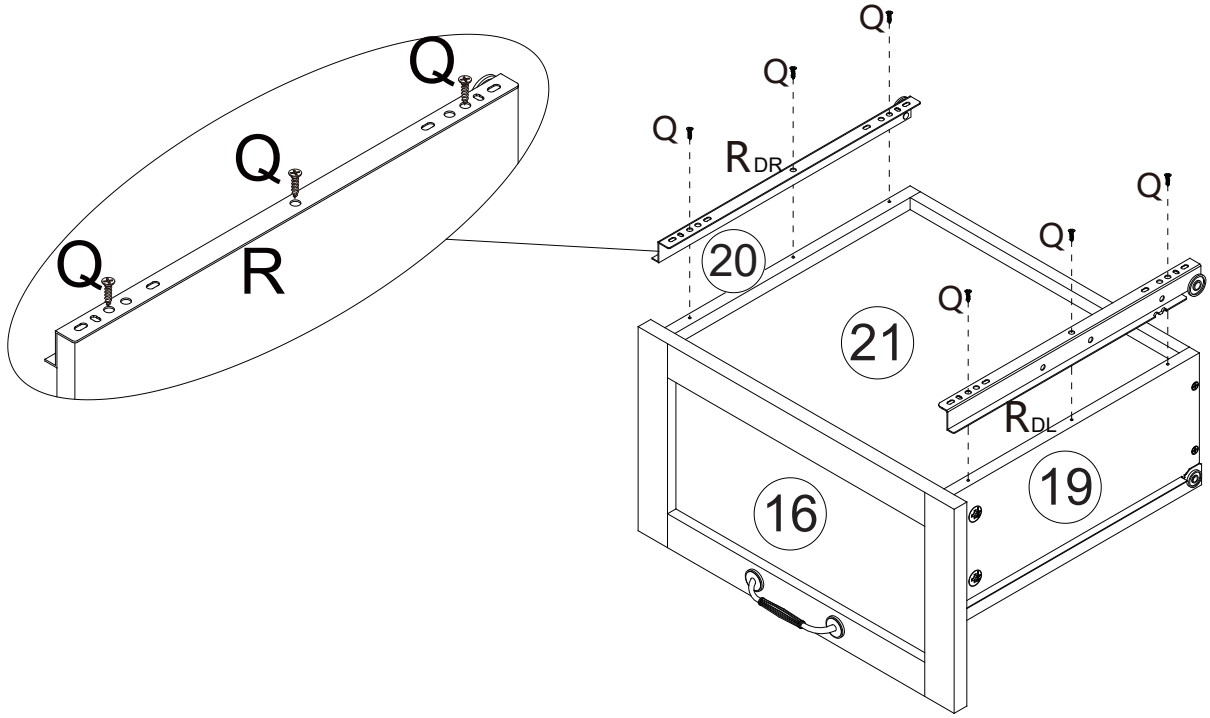
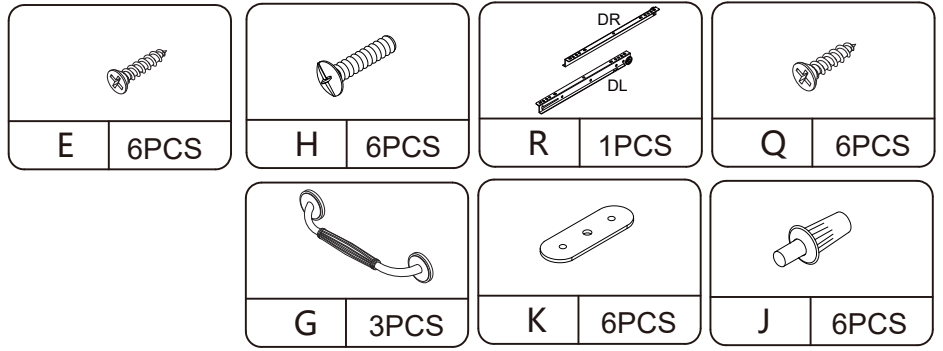


Step 16

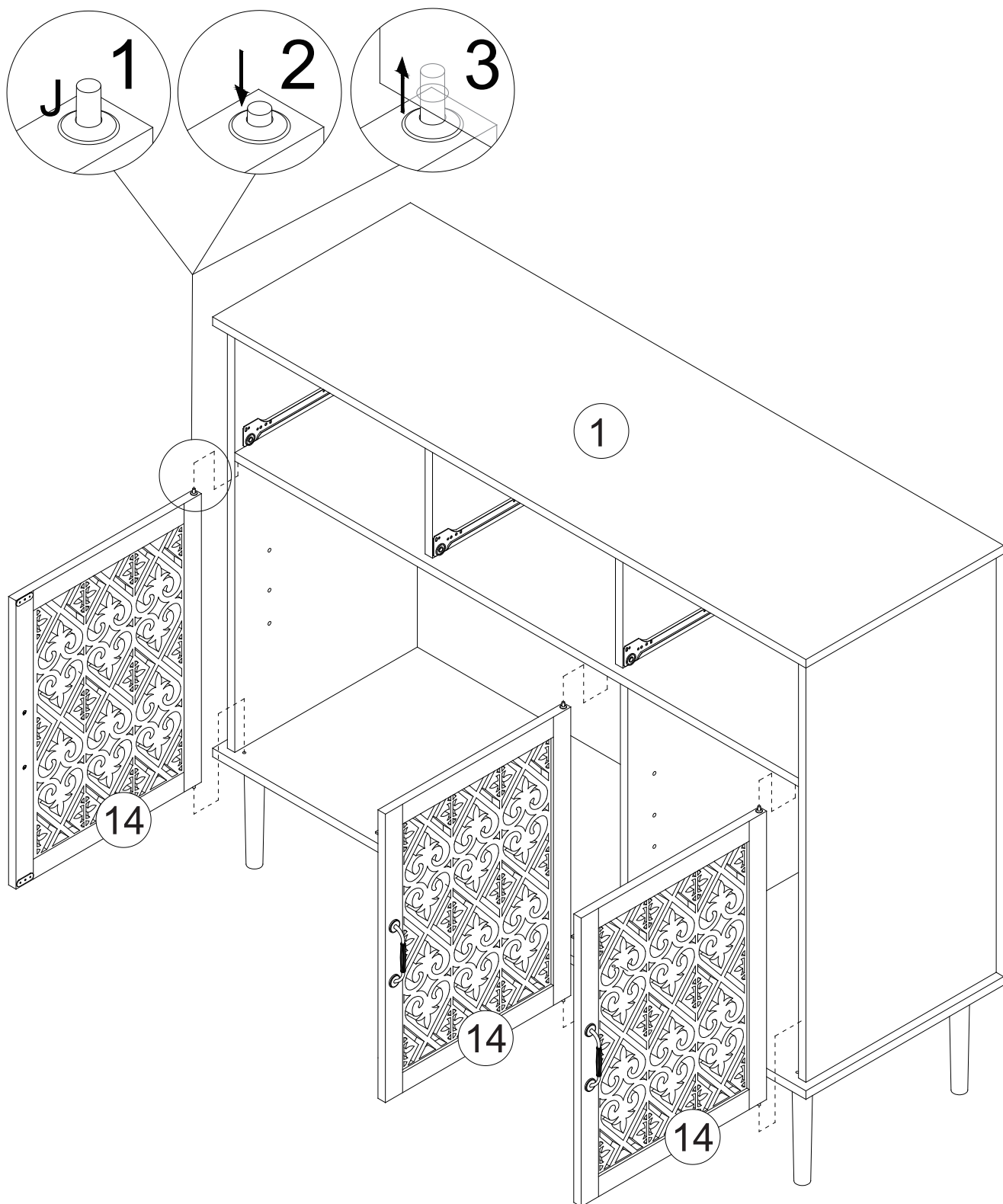
			
R	2PCS	Q	12PCS




Step 17

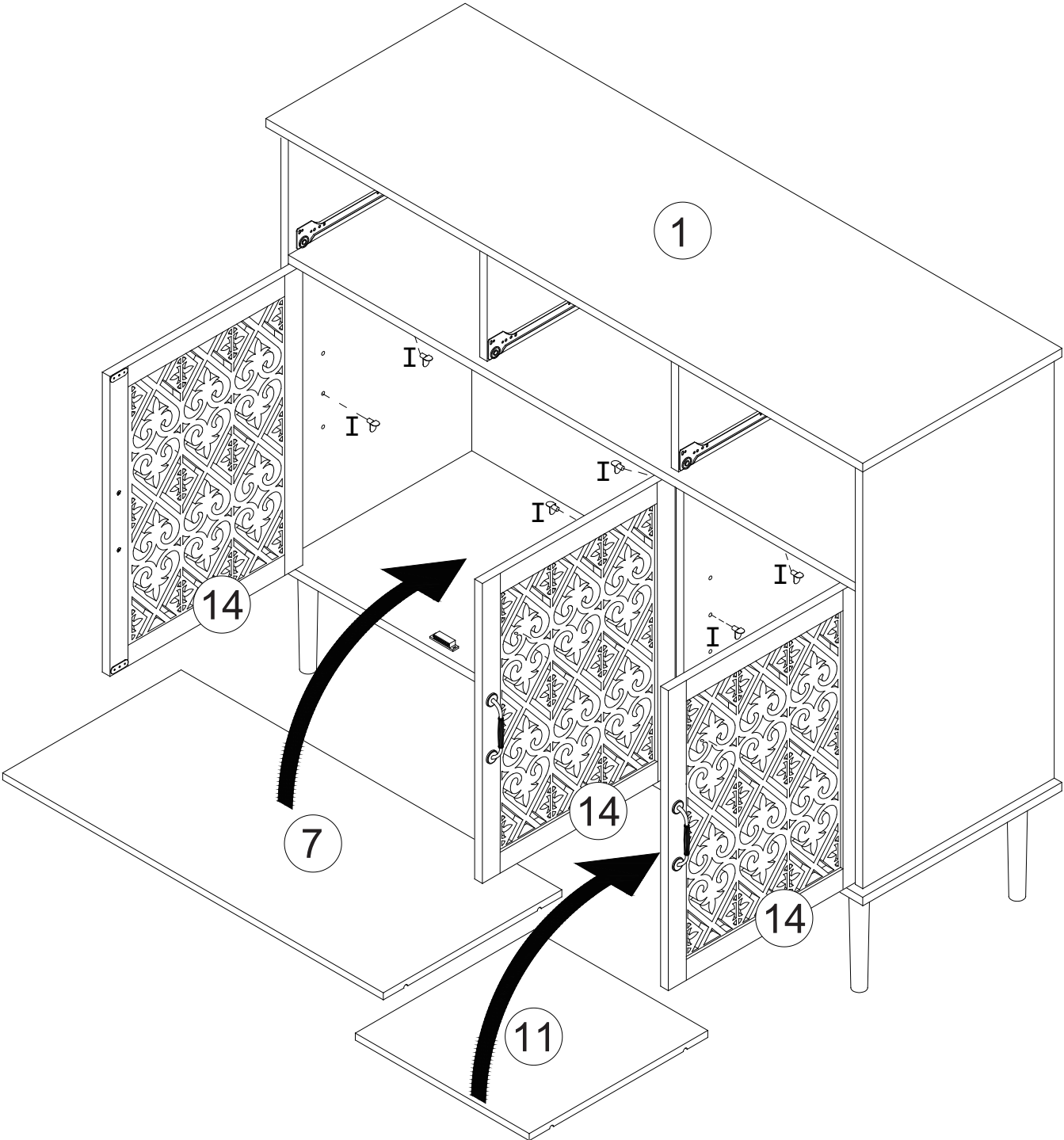


Step 18

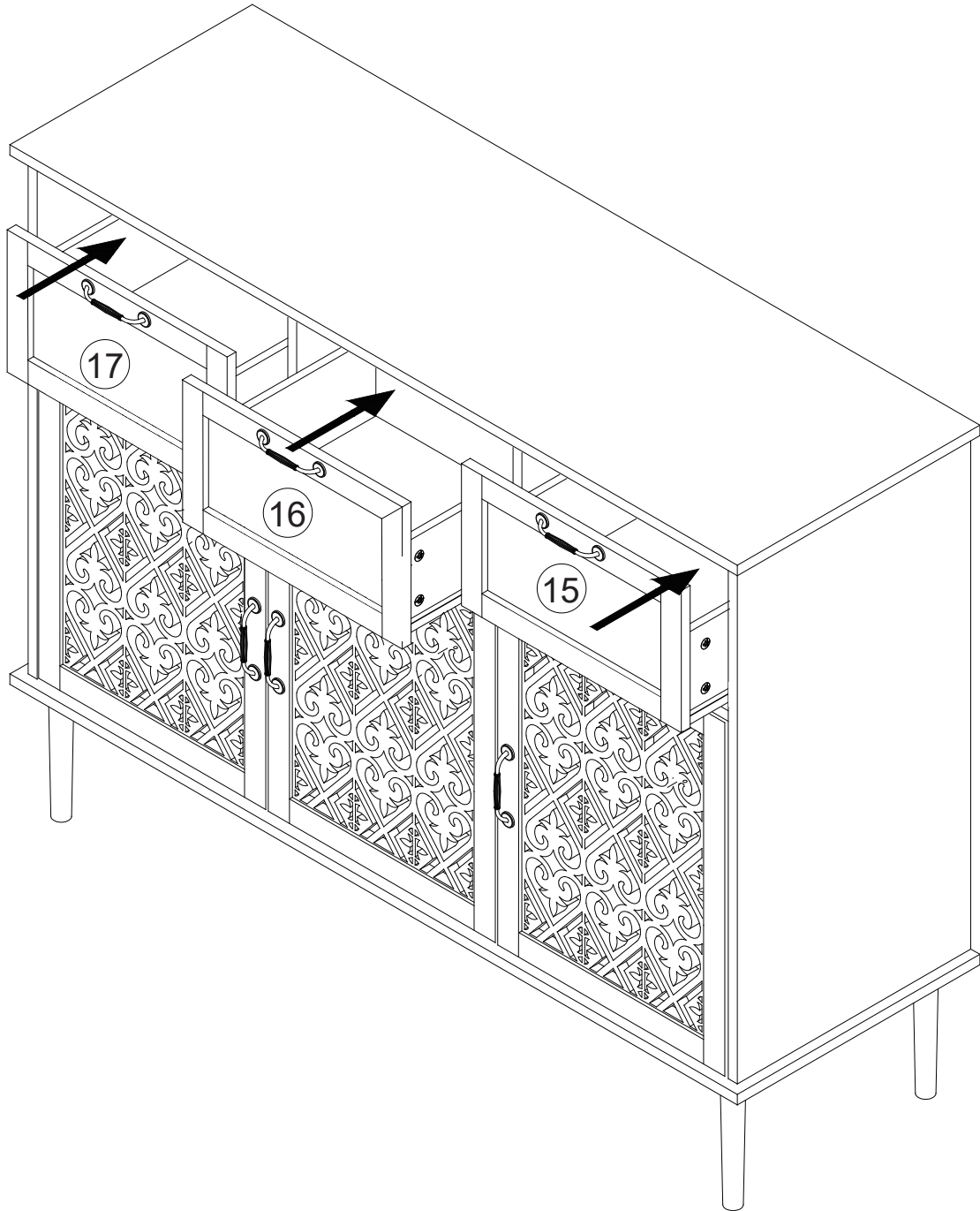


Step 19

	
I	8PCS



Step 20



Proper Use

- DO NOT** use for commercial purposes
- DO NOT** use as a step stool or stand on table
- DO NOT** put hot serving liquid directly on the table top
- DO NOT** leave spilled liquid on the table top
- DO NOT** use table if damaged
- DO NOT** exceed weight limit
- DO NOT** make temporary repairs
- DO NOT** use outdoor

Dear Customer :

Thank you for purchasing our product,we wish you satisfy our service,if you have any further questions or any quality issues, please show the belows number and don't hesitate to contact our Customer Service People: