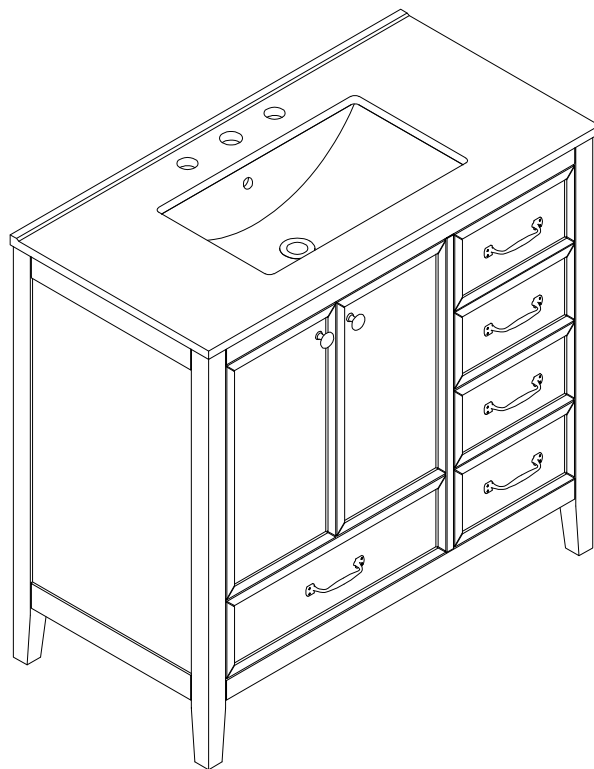


# ASSEMBLY INSTRUCTIONS

## BATH VANITY-CABINET

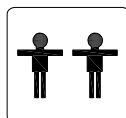
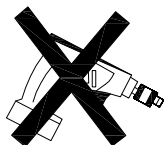


Thank you for purchasing this quality product. Be sure to check all packing material carefully for small parts which may have come loose inside the carton during shipment. Separate, identify and count all parts and hardware.

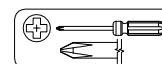
Compare with the parts list to be sure all parts are present.

**DO NOT TIGHTEN SCREWS UNTIL COMPLETELY ASSEMBLED**

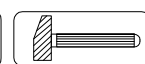
**\*Use of power tool to assemble this product will invalidate any claim and damage this product making unsafe!!!**  
**\* Please assemble on a clean soft surface to avoid damage.**



Tools Required



(Not included)

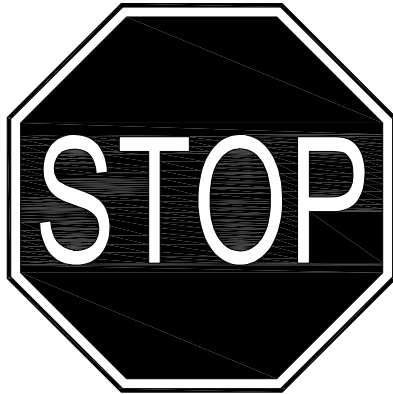


(Not included)

**IMPORTANT:**

**PLEASE READ INSTRUCTION BEFORE STARTING THE ASSEMBLY**

**PLEASE DO NOT RETURN TO STORE**



**Please do not return this product to the retailer!!  
We are able to assist you in ANY way**

If you find that you have any trouble with assembly or missing or damaged parts please contact the seller.

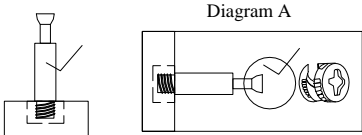
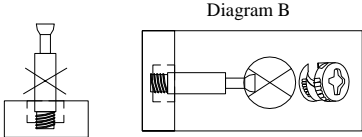
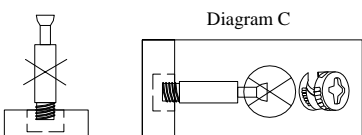
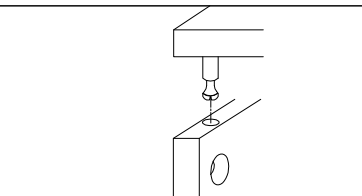
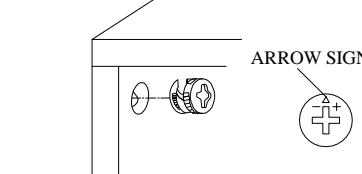
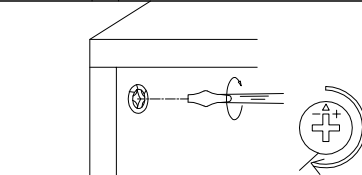
# Before Installation

Important - Please read these instructions fully before starting assembly

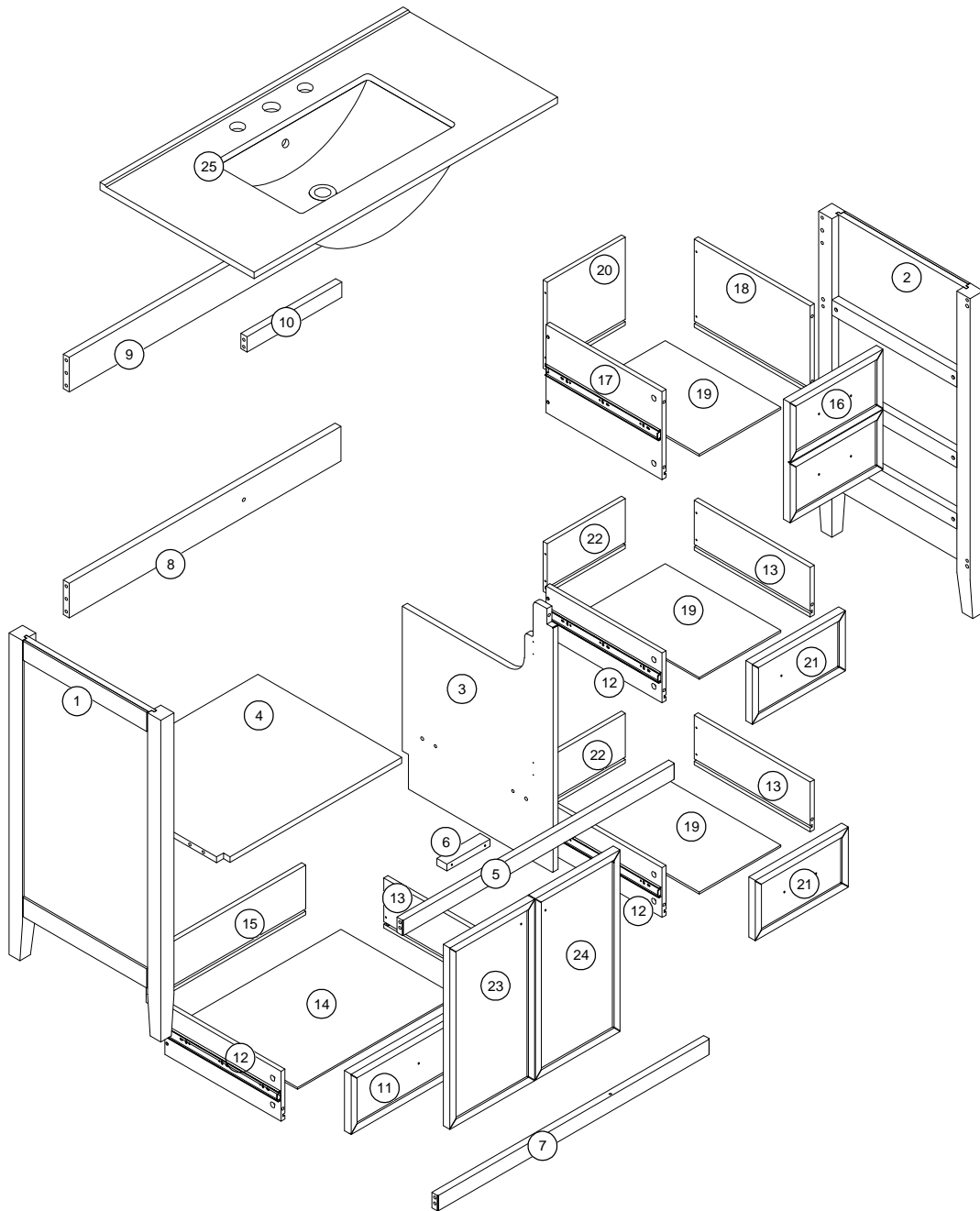
Thank you for purchasing this quality product. Be sure to check all packing materials carefully for small parts, which may have come loose inside the carton during shipment. Identify and count all items according to the PARTS LIST and/or HARDWARE LIST shown below. Check you have all the components and tools listed on the following pages.

- We recommend that you assemble this product with the assistance of another person; this will make the assembly easier, and will help eliminate damage to the product or injury to persons during assembly.
- Please do not over tighten screws or bolts until the assembly is completed.
- Keep children and animal away from the work area, small parts could choke if swallowed.
- Please put all parts on a non-abrasive floor before assembly, and follow the assembly steps to assemble your newly purchased product correctly and efficiently.

## Cam Lock Assembly Instructions

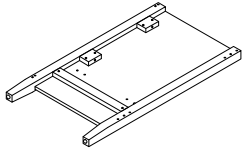
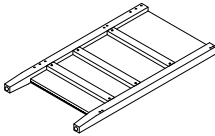
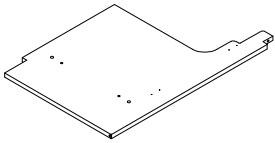
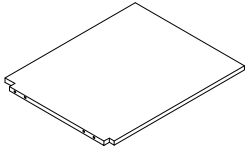
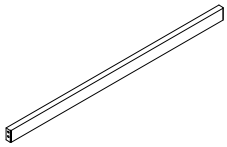
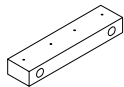
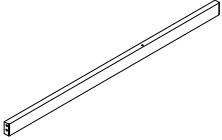
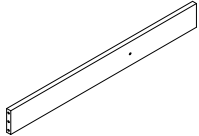
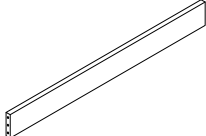
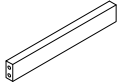
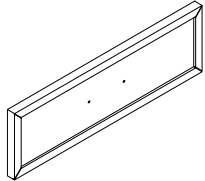
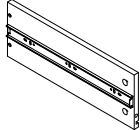
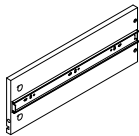
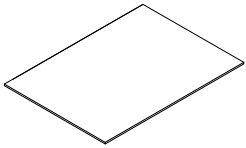
	<p>Diagram A</p> <p>Insert Cam Ball into hole as shown in diagram A.</p>
	<p>Diagram B</p> <p>Make sure not to insert the Cam Bolt: Too deep as shown in figure B as this will cause the cam Lock to be misaligned and unable to interlock properly.</p>
	<p>Diagram C</p> <p>Also avoid inserting the Cam Bolt too close to the surface of the hole as shown in figure C, as this will cause the Cam Lock to be too loose, and not interlock properly.</p>
	<p>Connect the panels together.</p>
	<p>ARROW SIGN</p> <p>Insert the Cam Lock so the side opening fits over the head of the Cam Bolt.</p>
	<p>To tighten the Cam Lock, turn it clockwise on half a turn with a flat screwdriver. <i>*Do not use an automatic screwdriver as it may bend or break if too much power is imposed.</i></p>

# Detail View



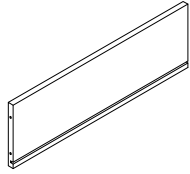
**Identifying the Hardware-Identify the hardware using the illustrations below.**

## Part Lists

<p><b>1</b></p>  <p>Side Panel (L) - 1pc</p>	<p><b>2</b></p>  <p>Side Panel (R) - 1pc</p>
<p><b>3</b></p>  <p>Mid Panel - 1pc</p>	<p><b>4</b></p>  <p>Mid Frame - 1pc</p>
<p><b>5</b></p>  <p>Top Front Crossbar - 1pc</p>	<p><b>6</b></p>  <p>Door Stopper - 1pc</p>
<p><b>7</b></p>  <p>Bottom Front Crossbar - 1pc</p>	<p><b>8</b></p>  <p>Bottom Rear Crossbar - 1pc</p>
<p><b>9</b></p>  <p>Top Rear Crossbar - 1pc</p>	<p><b>10</b></p>  <p>Right Rear Crossbar - 1pc</p>
<p><b>11</b></p>  <p>Large Drawer Face - 1pc</p>	<p><b>12</b></p>  <p>Side Drawer Panel (L) - 3pcs</p>
<p><b>13</b></p>  <p>Side Drawer Panel (R) - 3pcs</p>	<p><b>14</b></p>  <p>Bottom Large Drawer Panel - 1pc</p>

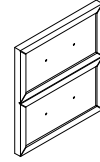
## Part Lists

15



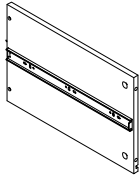
Rear Large Drawer - 1pc

16



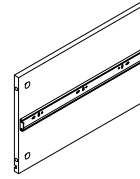
Double Drawer Face - 1pc

17



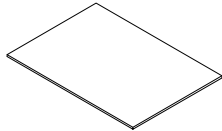
Side Double Drawer Panel (L) - 1pc

18



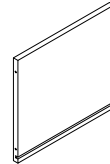
Side Double Drawer Panel (R) - 1pc

19



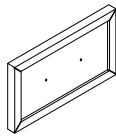
Bottom Drawer Panel -3pcs

20



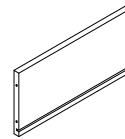
Rear Double Drawer Panel - 1pc

21



Small Drawer Face - 2pcs

22



Rear Small Drawer Panel -2pcs

23



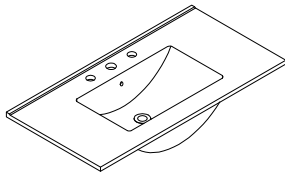
Door Cabinet (L) - 1pc

24



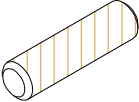
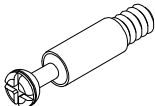
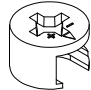
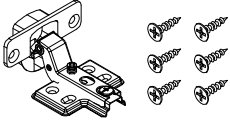
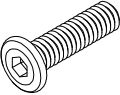


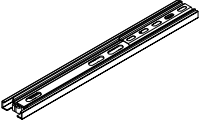
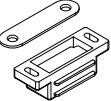
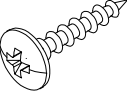
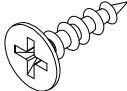

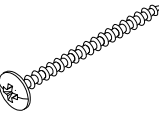
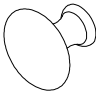
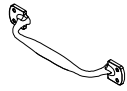
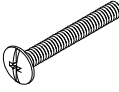
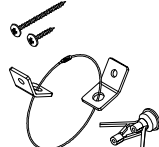

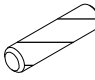
Door Cabinet (R) - 1pc

25

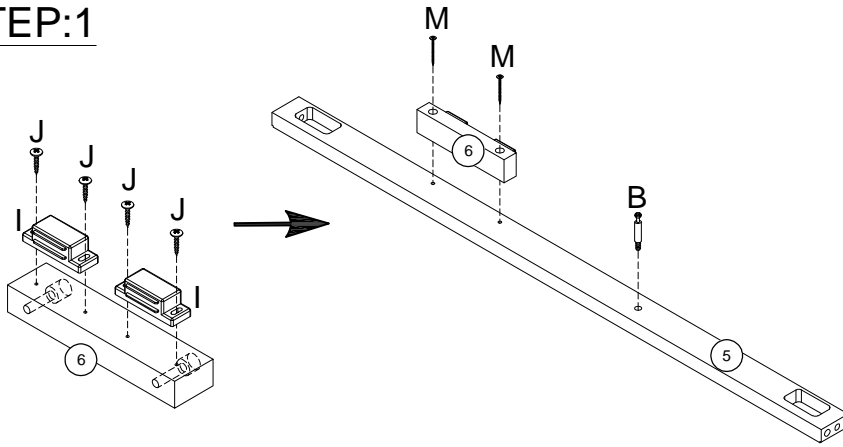



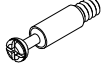
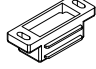

Sink - 1pc

## Hardware Lists

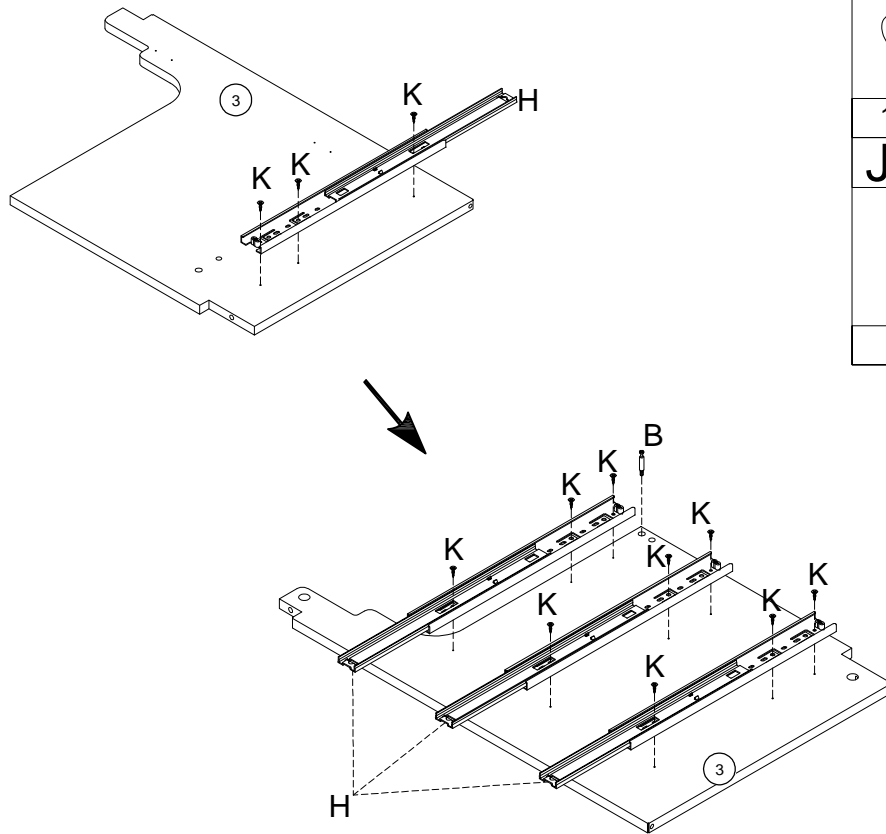
<p><b>A</b></p>  <p>Ø8*30mm</p>	<p><b>B</b></p>  <p>Ø6*32mm</p>	<p><b>C</b></p>  <p>Ø14.5*9.5mm</p>
<p>Wood dowel (18pcs) + 1pc</p>	<p>Three in one bolts (24pcs) + 1pc</p>	<p>Three in one locks (24pcs) + 1pc</p>
<p><b>D</b></p> 	<p><b>E</b></p>  <p>Ø13xM6*30mm</p>	<p><b>F</b></p>  <p>K4mm</p>
<p>Damping hinge (4 sets)</p>	<p>Hex-Head bolt (8pcs) + 1 pc</p>	<p>Allen key (1pc) + 1pc</p>
<p><b>G</b></p> 	<p><b>H</b></p> 	<p><b>I</b></p>  <p>45*12*1mm 45*17*14mm</p>
<p>Flat washer (8 pcs)+1Pc</p>	<p>Slide rail (8 pcs)</p>	<p>Plastic Door Magnet (2 sets)</p>
<p><b>J</b></p>  <p>Ø8xØ3.5*15mm</p>	<p><b>K</b></p>  <p>Ø8xØ3.5*12mm</p>	<p><b>L</b></p>  <p>Ø10*10mm</p>
<p>Round head screw (4pcs)</p>	<p>Flat head screw (30pcs) + 1pc</p>	<p>Plastic Canopy (16pcs) + 1pc</p>
<p><b>M</b></p>  <p>Ø8xØ4*35mm</p>	<p><b>N</b></p> 	<p><b>O</b></p> 
<p>Round head screw (18pcs) + 1pc</p>	<p>Handle (2pcs)</p>	<p>Handle (5pcs)</p>
<p><b>P</b></p>  <p>Ø8xM4*20mm</p>	<p><b>Q</b></p> 	<p><b>R</b></p> 
<p>Handle screw (12pcs)</p>	<p>Anti fall Hardware (2 sets)</p>	<p>L Bracket (1pc)</p>
<p><b>S</b></p>  <p>Ø6*20mm</p> <p>Wood dowel (1pc)</p>		



### STEP:1

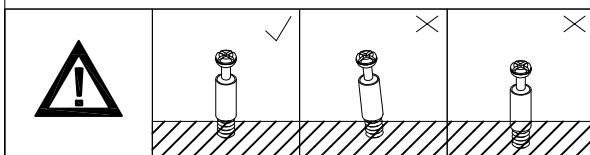


<b>H</b>	<b>B</b>
	
4pcs	2pcs
<b>I</b>	<b>M</b>
	
2pcs	2pcs

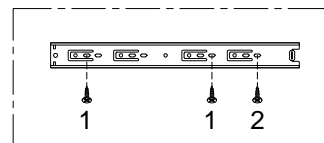
### STEP:2



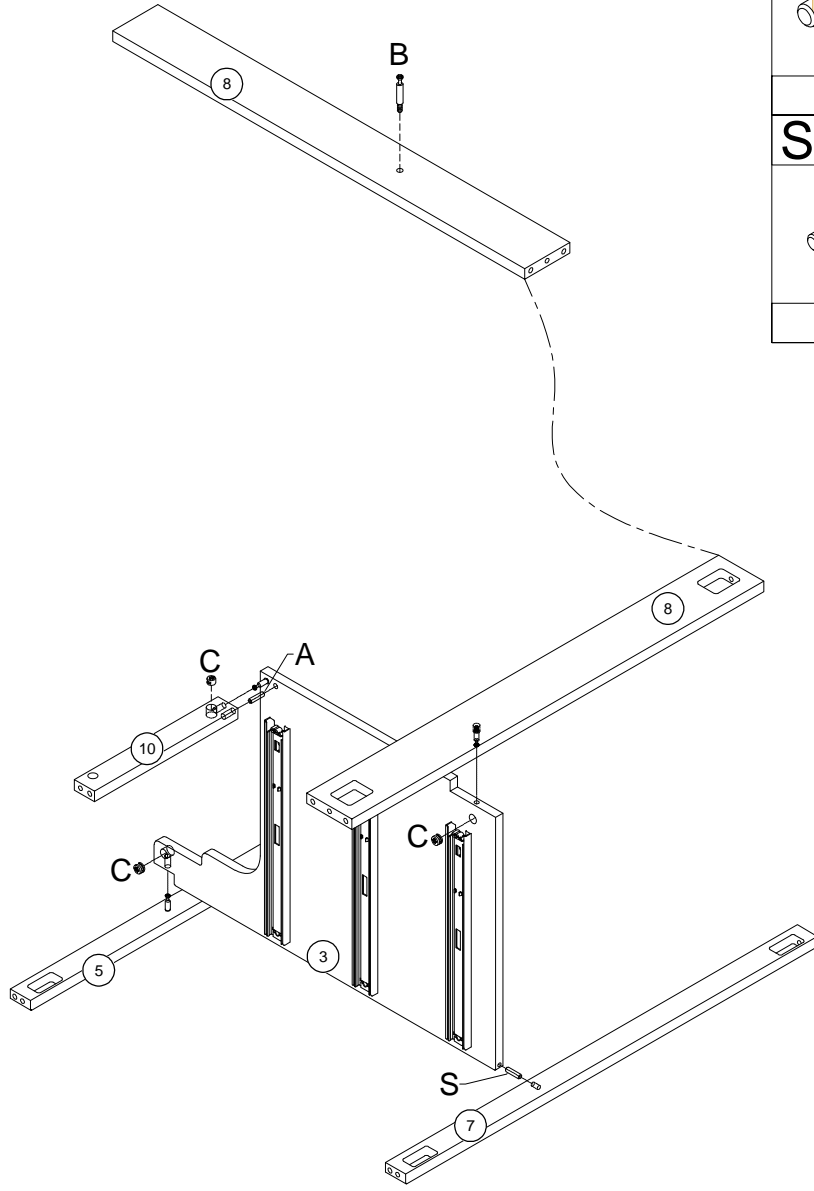
<b>K</b>

12pcs
<b>J</b>

4pcs



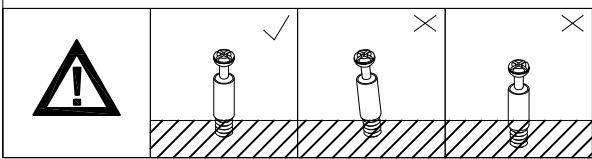
### POSITION OF SCREW



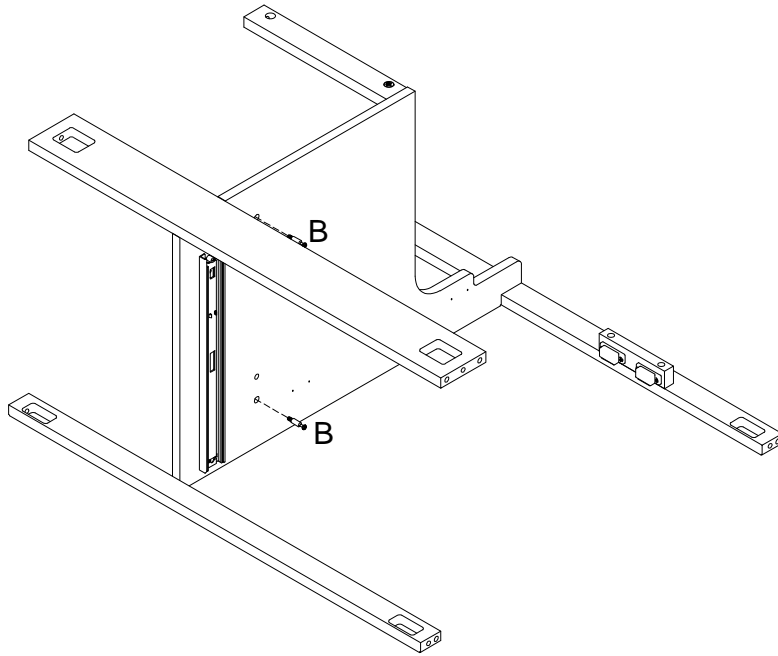
# STEP:3

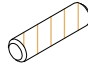
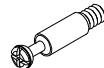
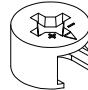


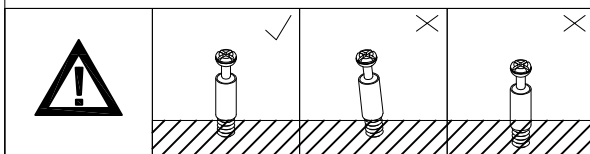
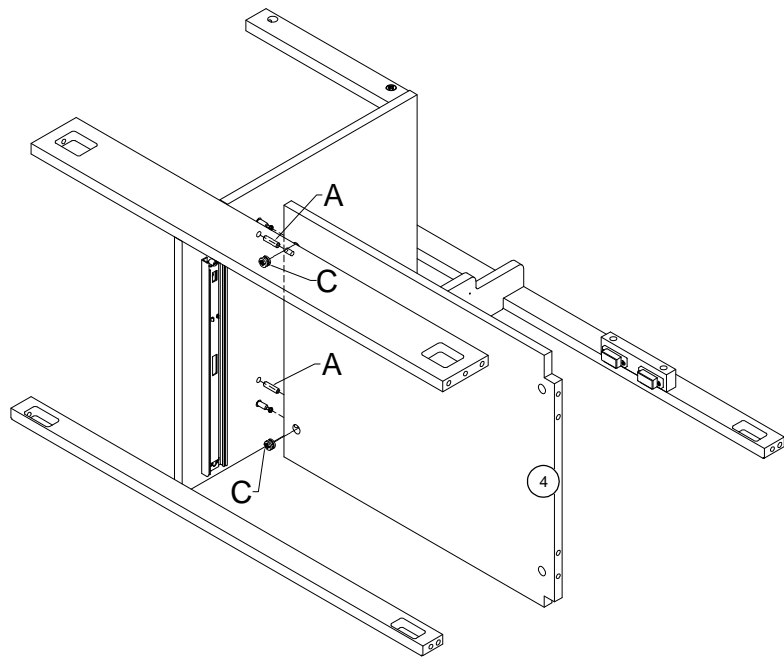
<b>A</b>	<b>B</b>
1pc	1pc
<b>S</b>	<b>C</b>
1pc	3pcs



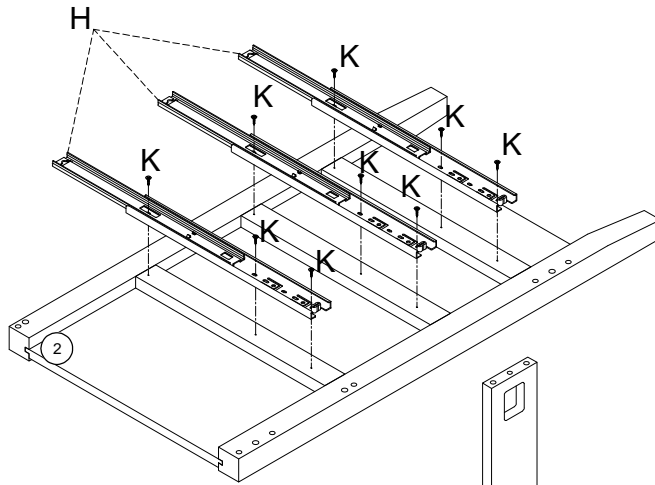
**STEP:4**



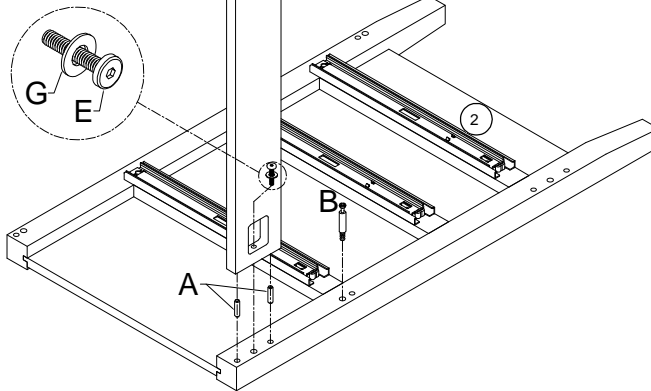
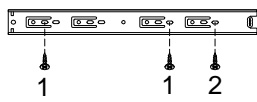
<b>A</b>	<b>B</b>
	
2pcs	2pcs
<b>C</b>	
	
2pcs	


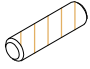
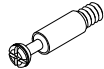





### STEP:5

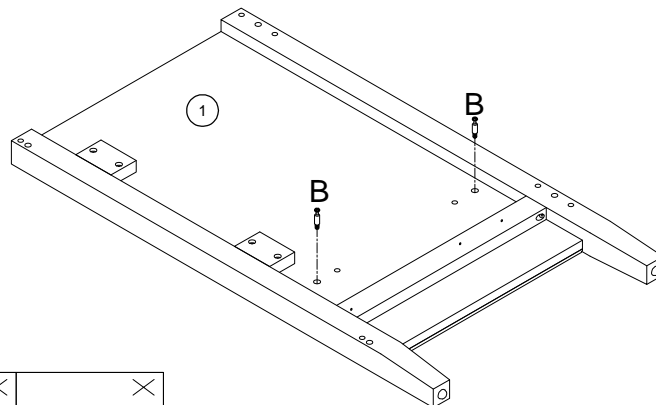


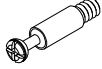
#### POSITION OF SCREW

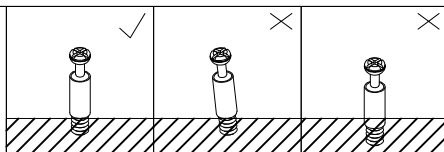


<b>H</b>	<b>A</b>
	
3pcs	2pcs
<b>B</b>	<b>G</b>
	
1pc	1pc
<b>K</b>	<b>E</b>
	
9pcs	1pc

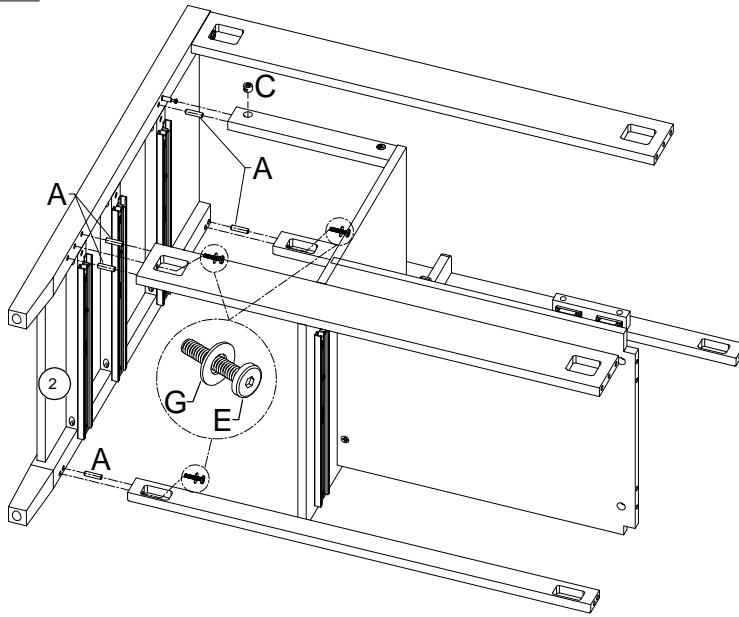
### STEP:6



<b>B</b>

2pc



### STEP:7



**A**



13pcs

**C**



3pcs

**G**



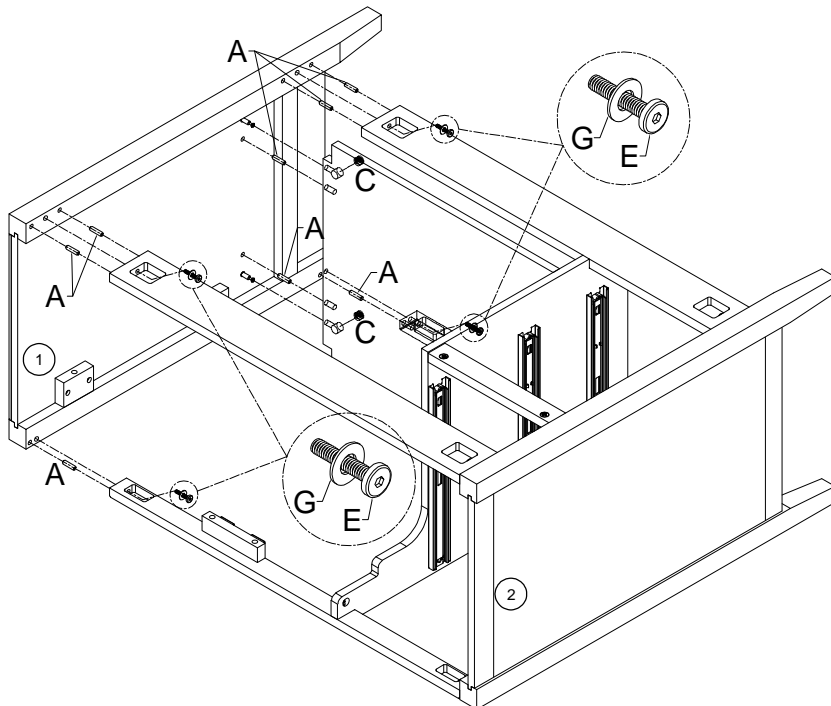
7pcs

**E**

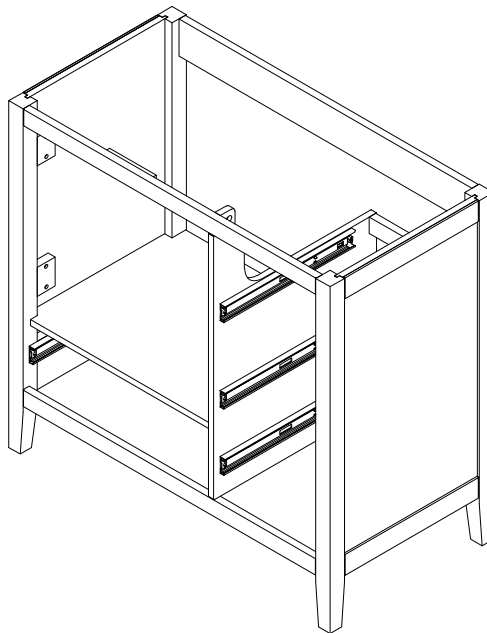
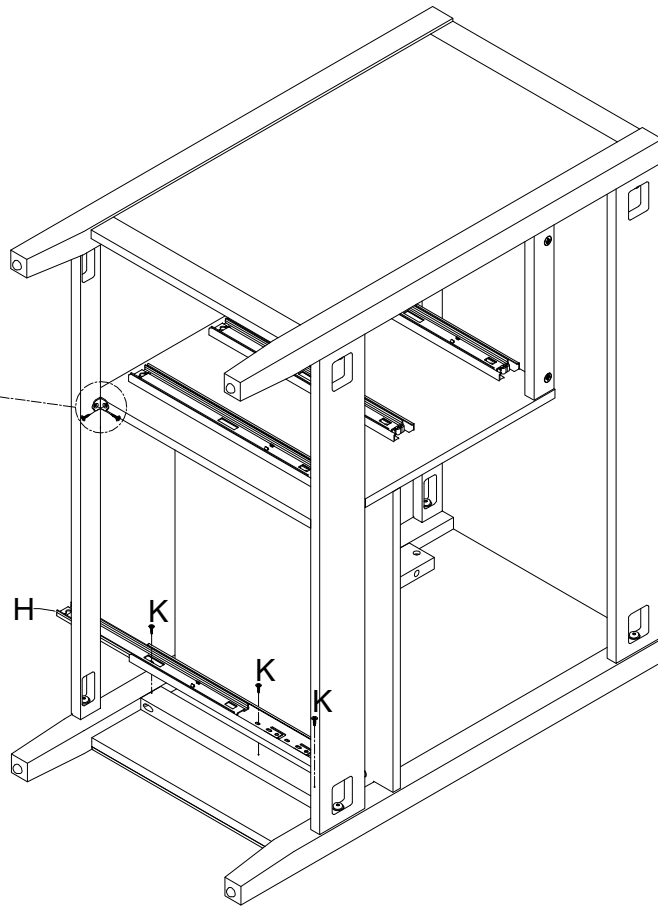
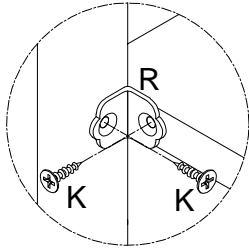


7pc

### STEP:8



**STEP:9**



**H**



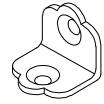
1pcs

**K**








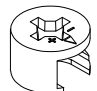
5pcs

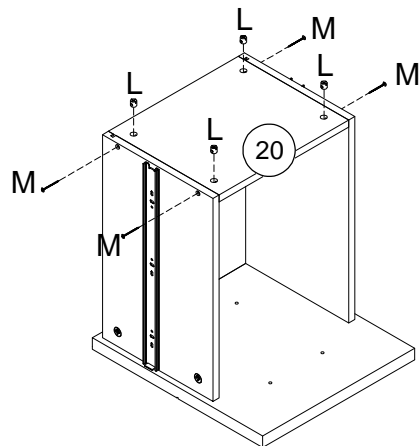
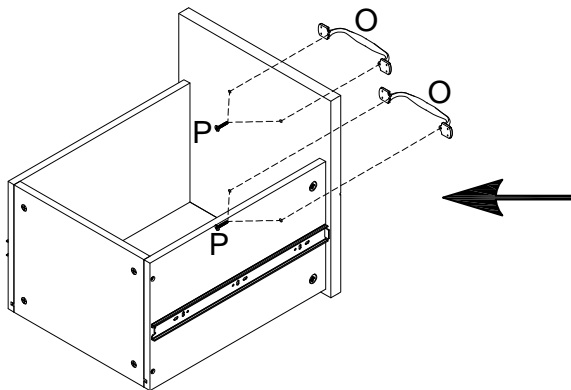
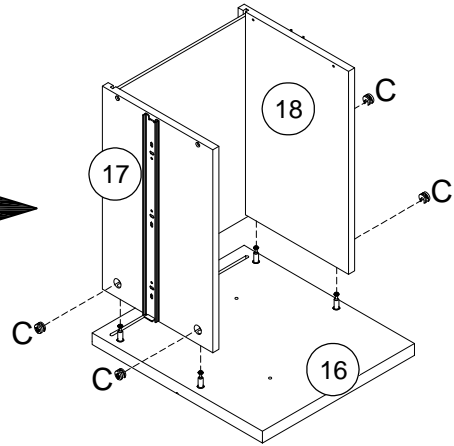
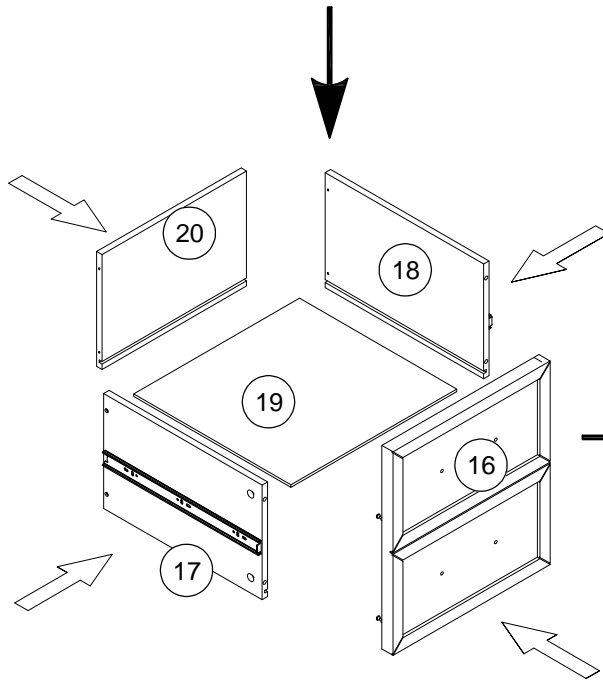
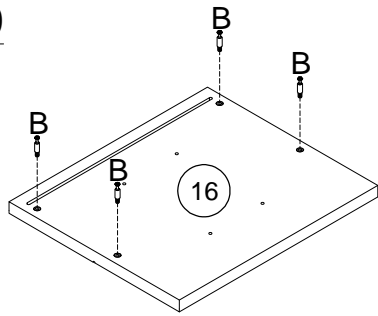
**R**



1pc

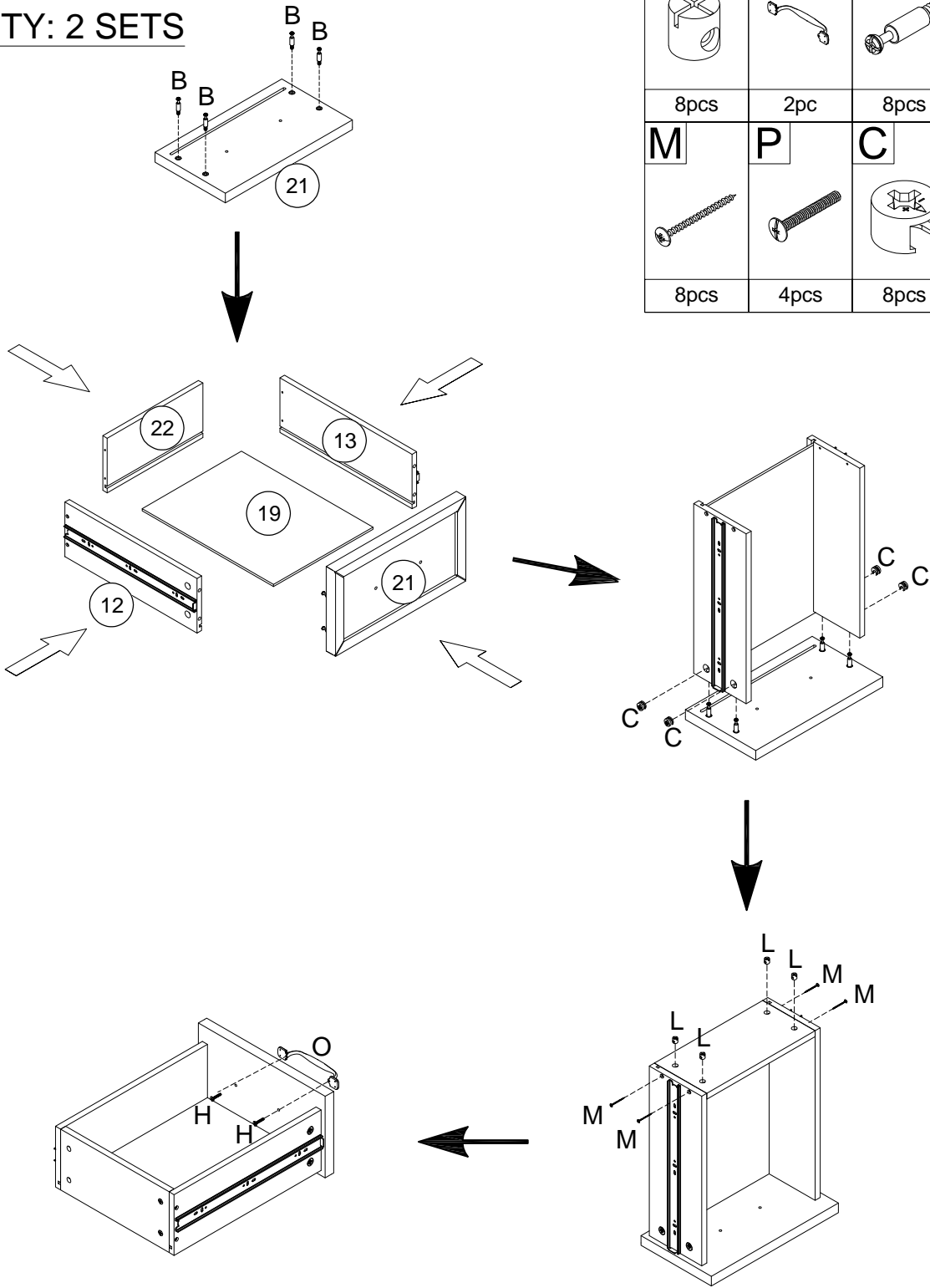
**STEP:10**

<b>L</b> 	<b>O</b> 	<b>B</b> 
4pcs	2pcs	4pcs
<b>M</b> 	<b>P</b> 	<b>C</b> 
4pcs	4pcs	4pcs

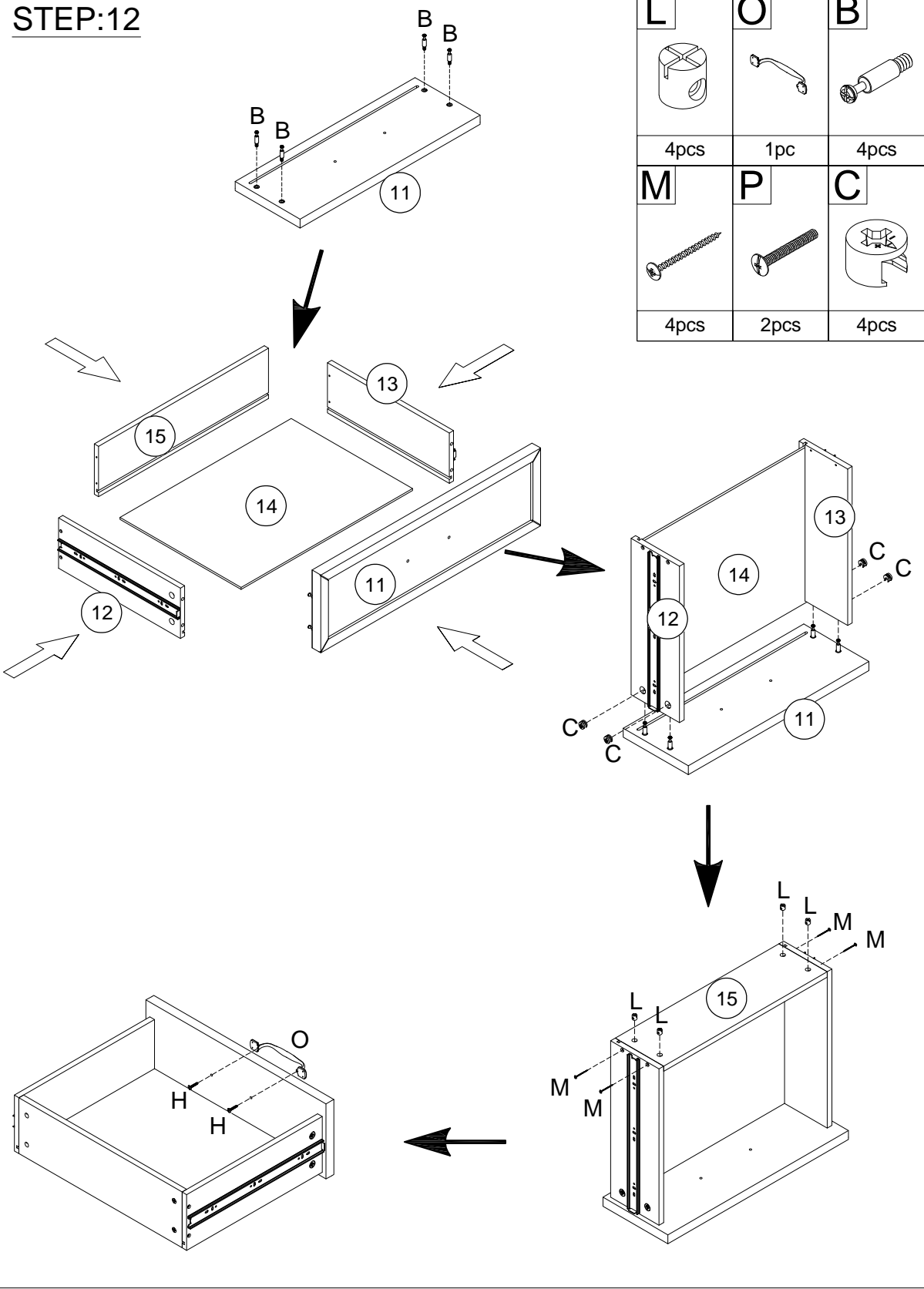


**STEP:11**

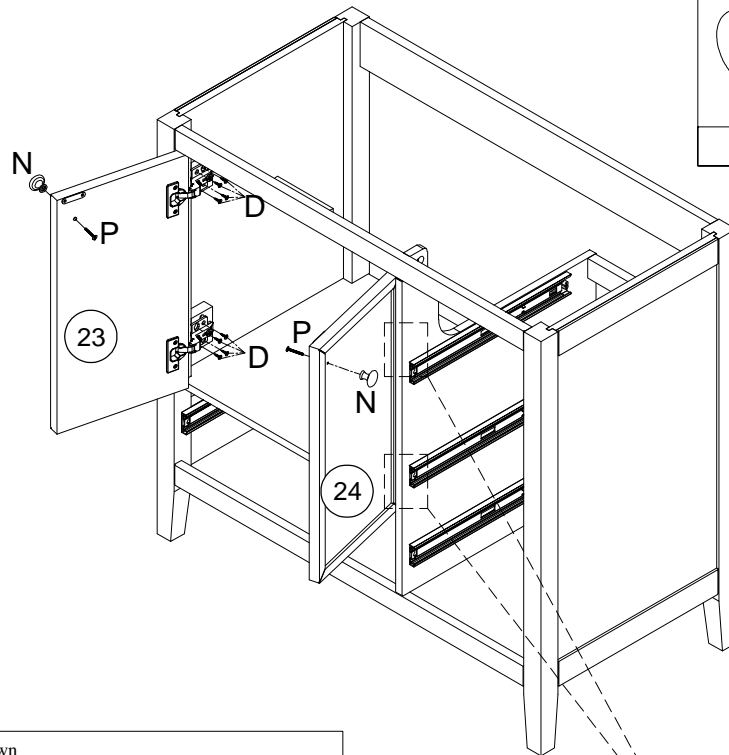
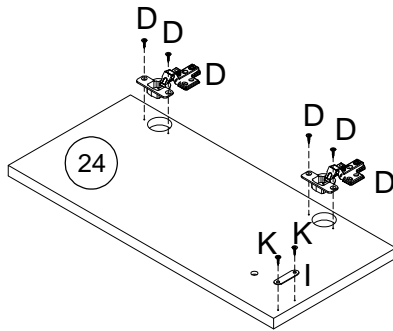
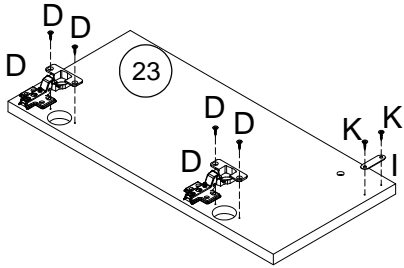
**Q'TY: 2 SETS**



**STEP:12**

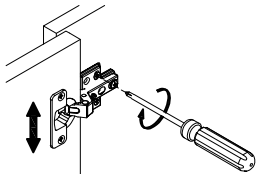


# STEP:13

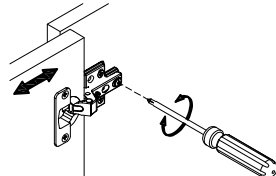


<b>I</b>	<b>D</b>
2pcs	4pcs
<b>K</b>	<b>D</b>
4pcs	24pcs
<b>N</b>	<b>P</b>
2pcs	2pcs

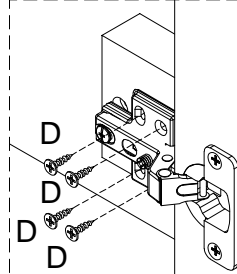
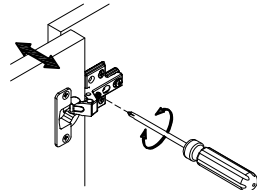
Use the screws to adjust up or down



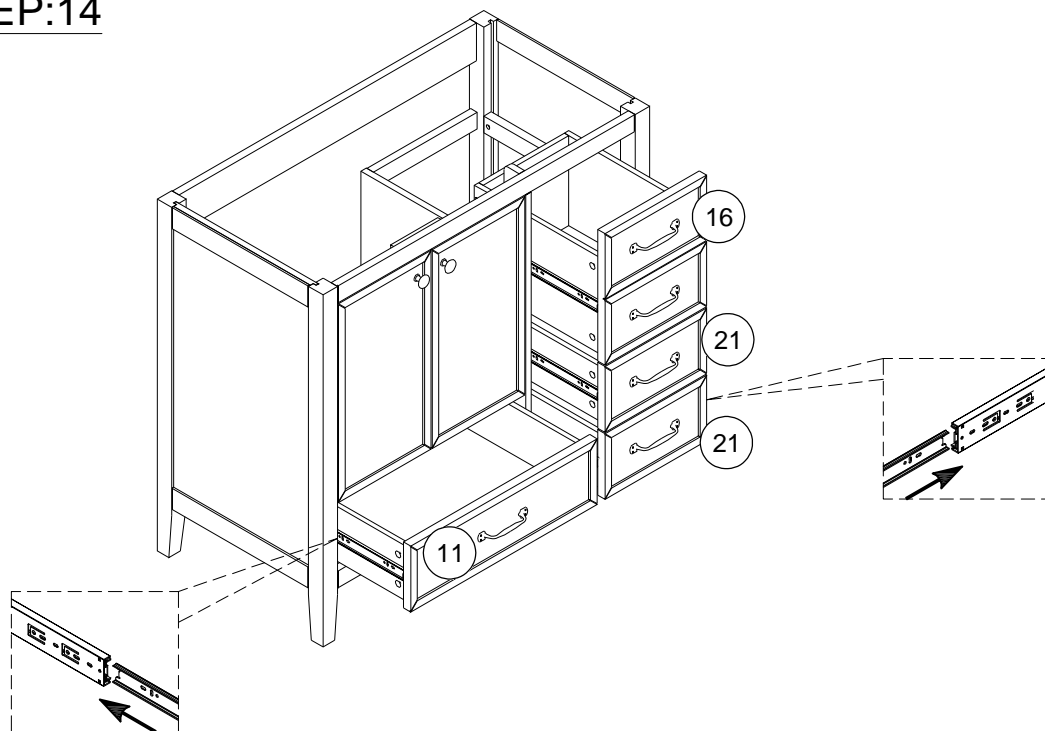
Use the screws to adjust in or out



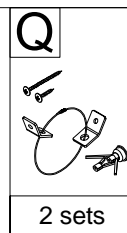
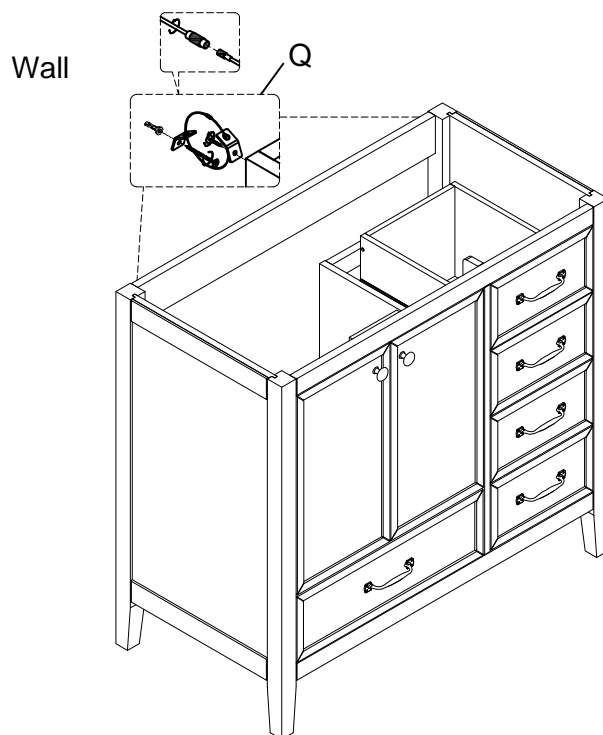
Use the screws to adjust left or right



**STEP:14**

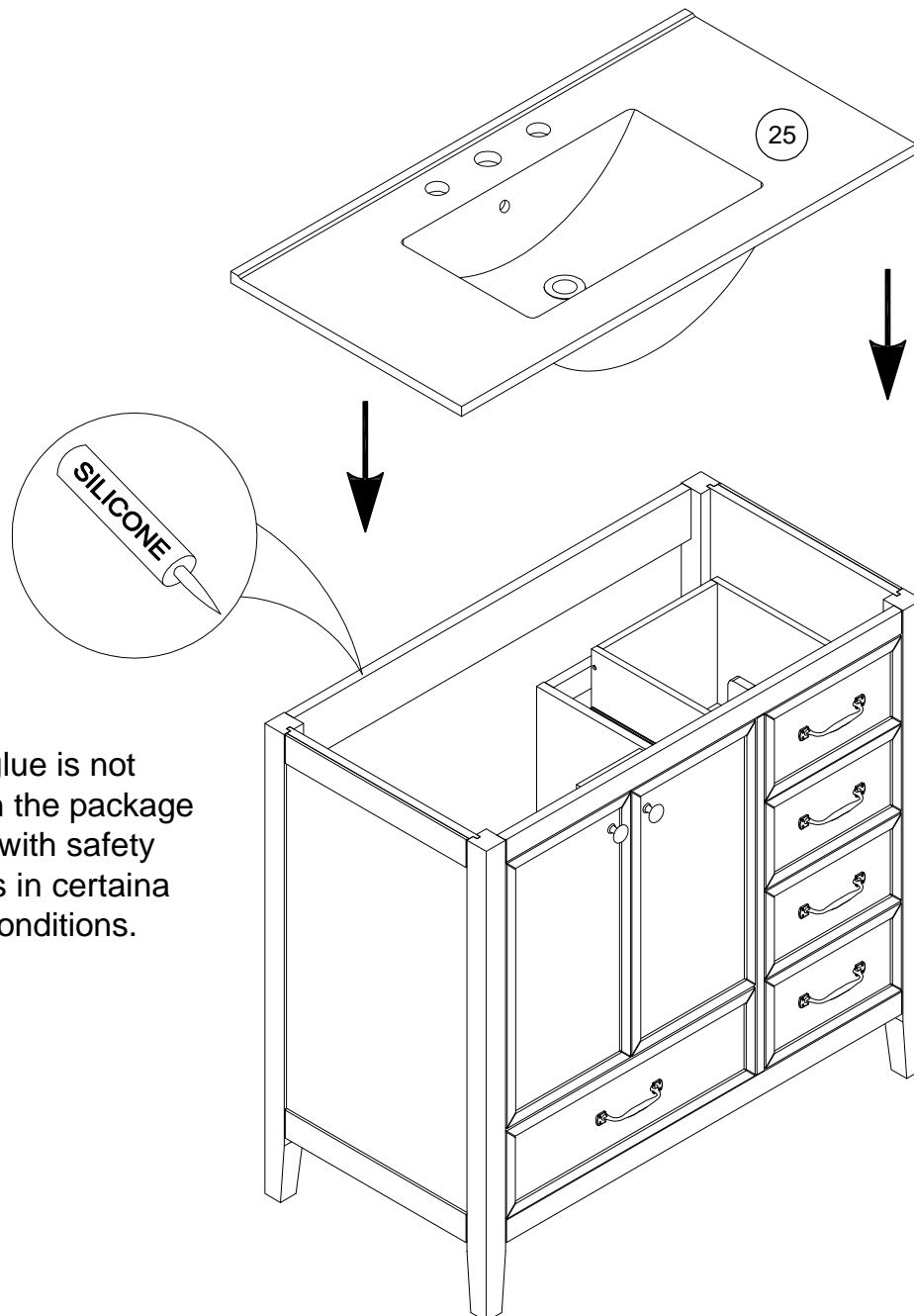


**STEP:15**

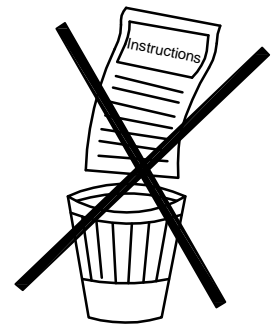


## STEP:16

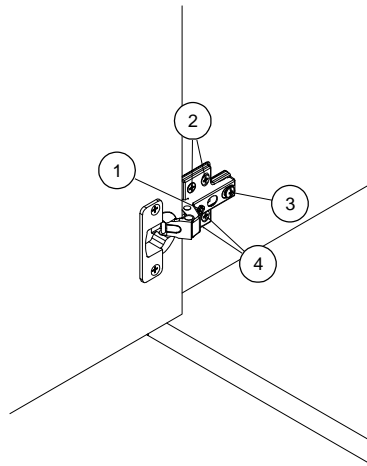
Install the sink on the cabinet with glue.  
Let stand for 24 hours



\*Silicone glue is not included in the package to comply with safety regulations in certain shipping conditions.

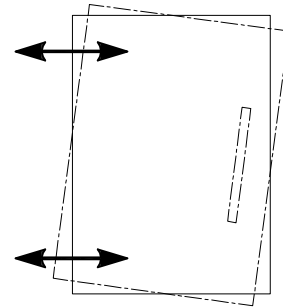


# HINGE ADJUSTMENTS



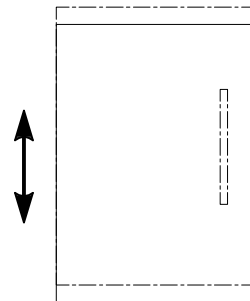
## ① Sideways / Tilt adjustment

Turn the screw  
**clockwise** to move the door further away from the side of the cabinet  
**anticlockwise** to move the door closer to the side of the cabinet



## ② ④ Height adjustment

While supporting the weight of the door, turn the screws  
**clockwise** to move the door up  
**anticlockwise** to move the door down



## ③ Forward and back adjustment

