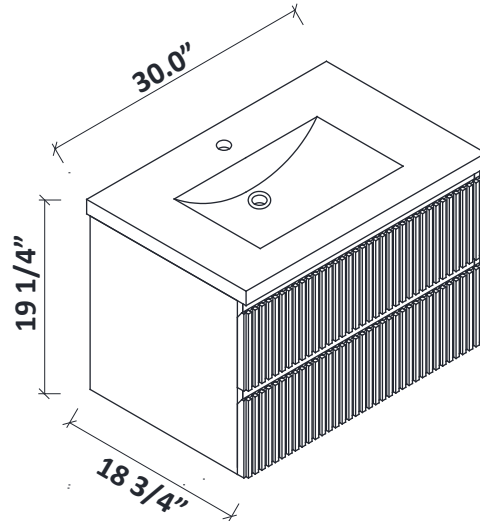
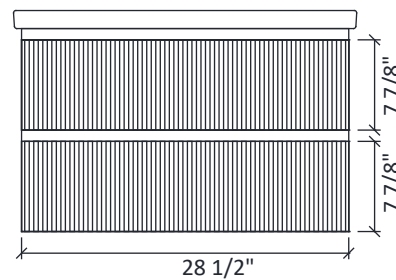
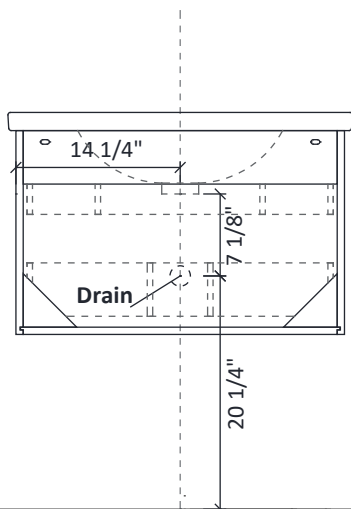
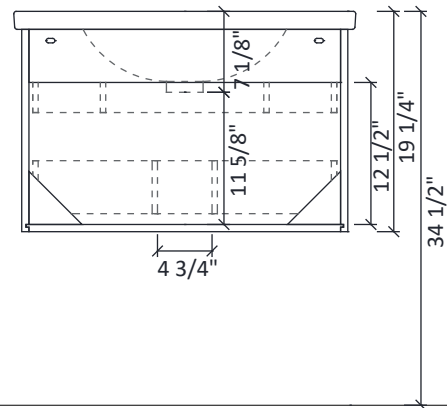
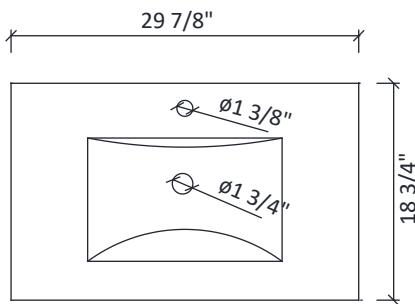


# 30 Floating Vanity Installation Instruction



## DIMENSIONS



### WARNING !

*In the hole on the wall, please be sure to be careful to avoid the internal cables and pipelines.*

## MATERIALS & TOOLS






*Safety glasses, Pencil, Level, Tape measure, Stud Finder, Assorted screwdrivers, Assorted Wrenches, Drill, Screw gun, Caulking gun, Hammer, Screws, Nail anchors/Molly screws.*

# Vanity Installation

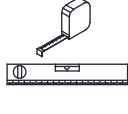



## Step 1

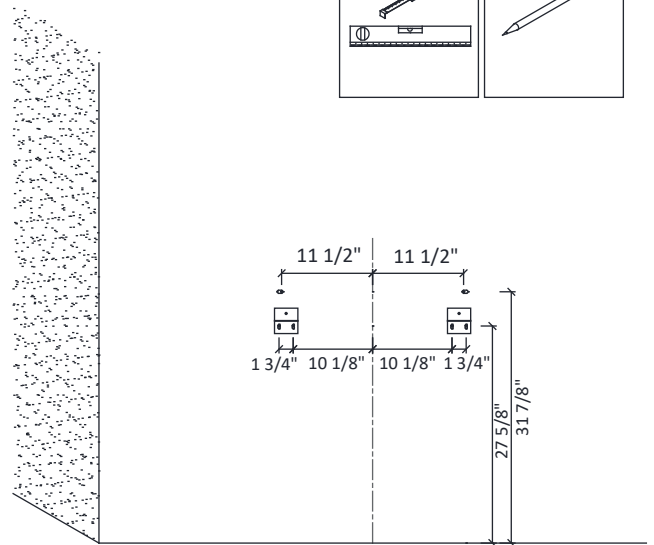
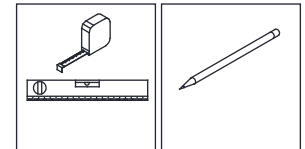
## Step 2

### PARTS

 A x2	 6*45 B x6	 C x2	 3.5*15 D x2
 E x6			



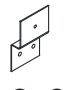
### TOOLS REQUIRED

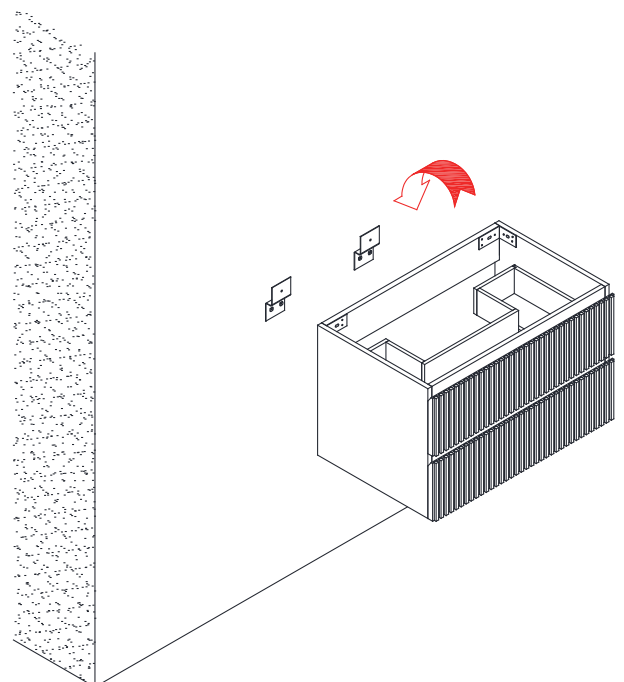
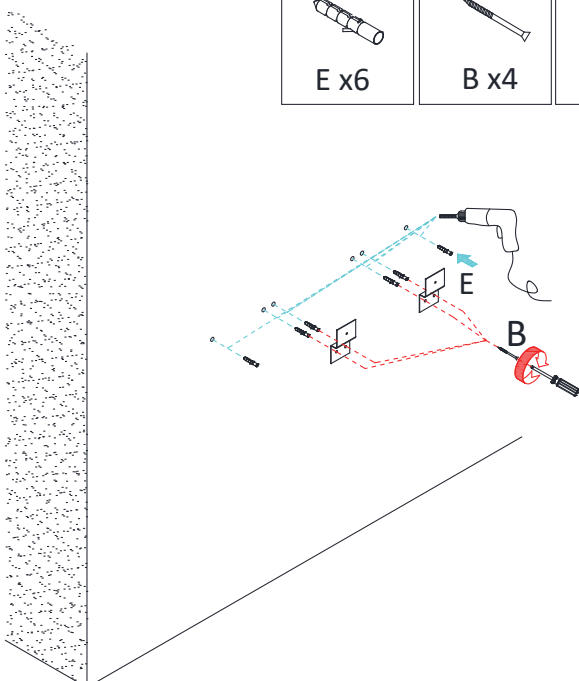
			
---	---	---	---



## Step 3

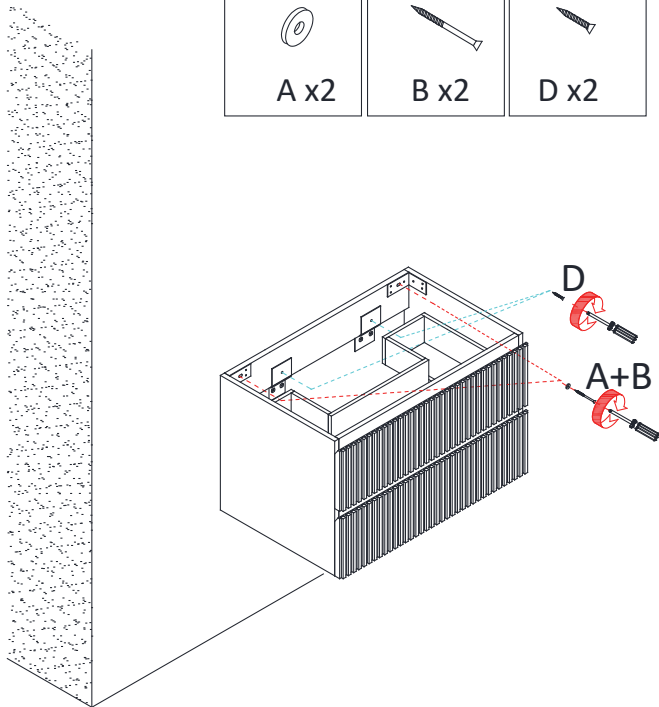
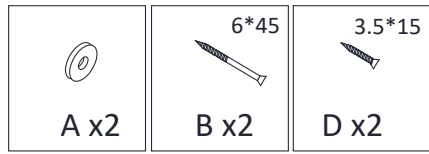
## Step 4

 E x6	 6*45 B x4	 C x2
---	---	---

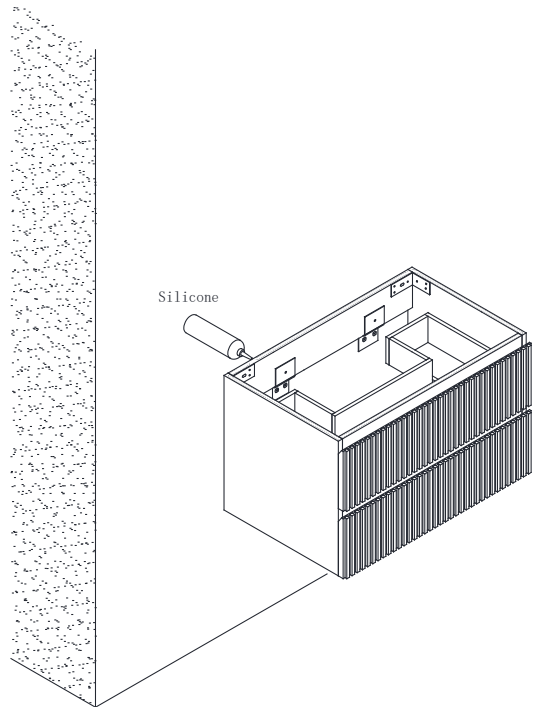


# Vanity Installation

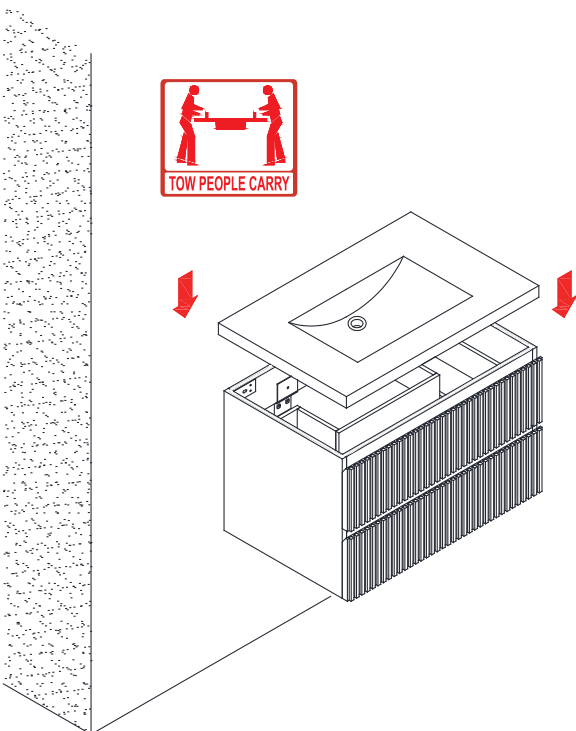
**Step 5**



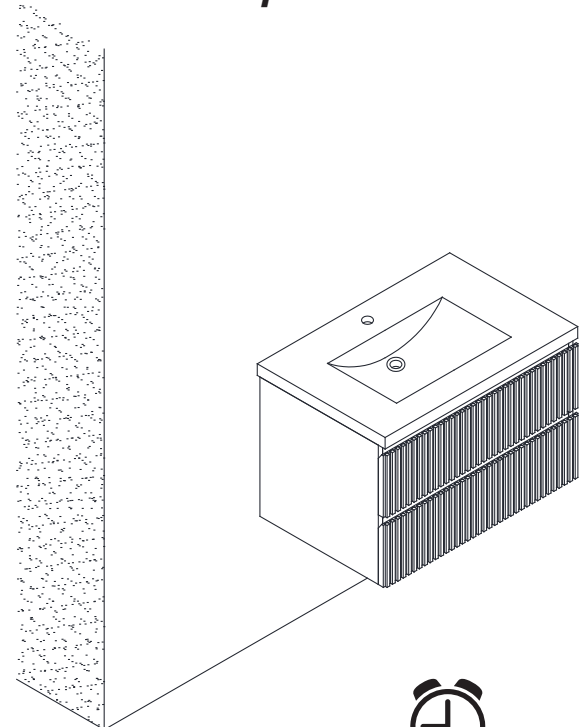
**Step 6**



**Step 7**



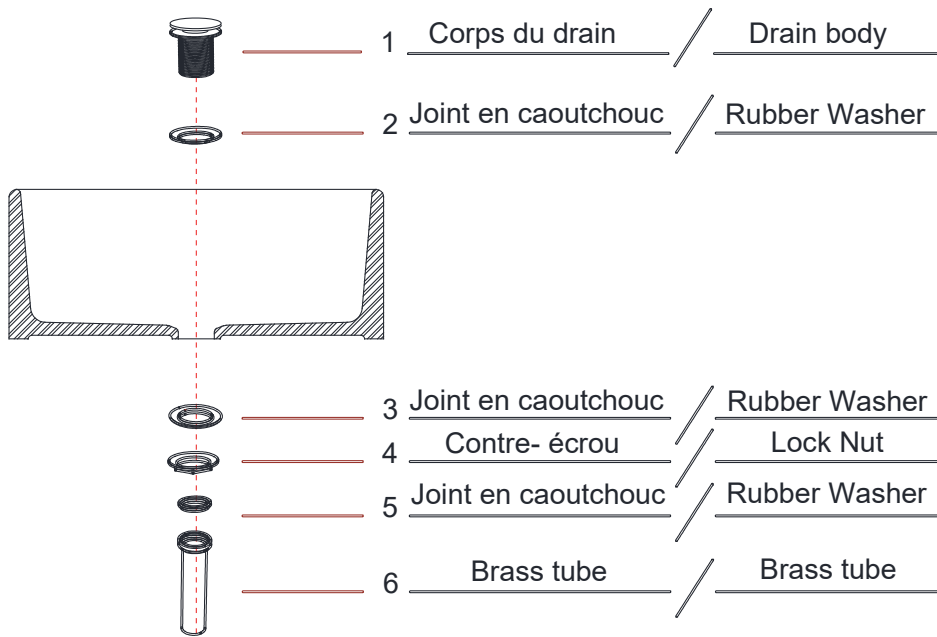
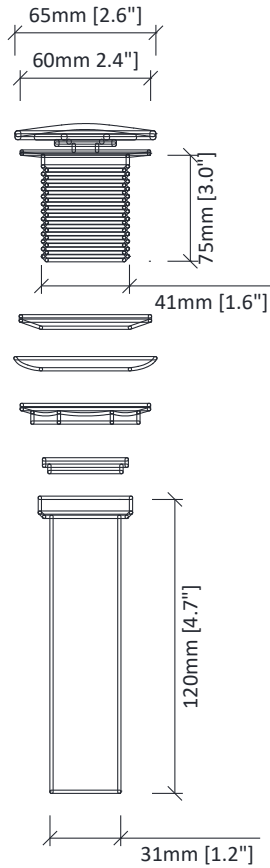
**Step 8**



# Drain Installation Instruction



Drain Parts  
Not Included In The Package



## WARNING !

In the hole on the wall, please be sure to be careful to avoid the internal cables and pipelines.