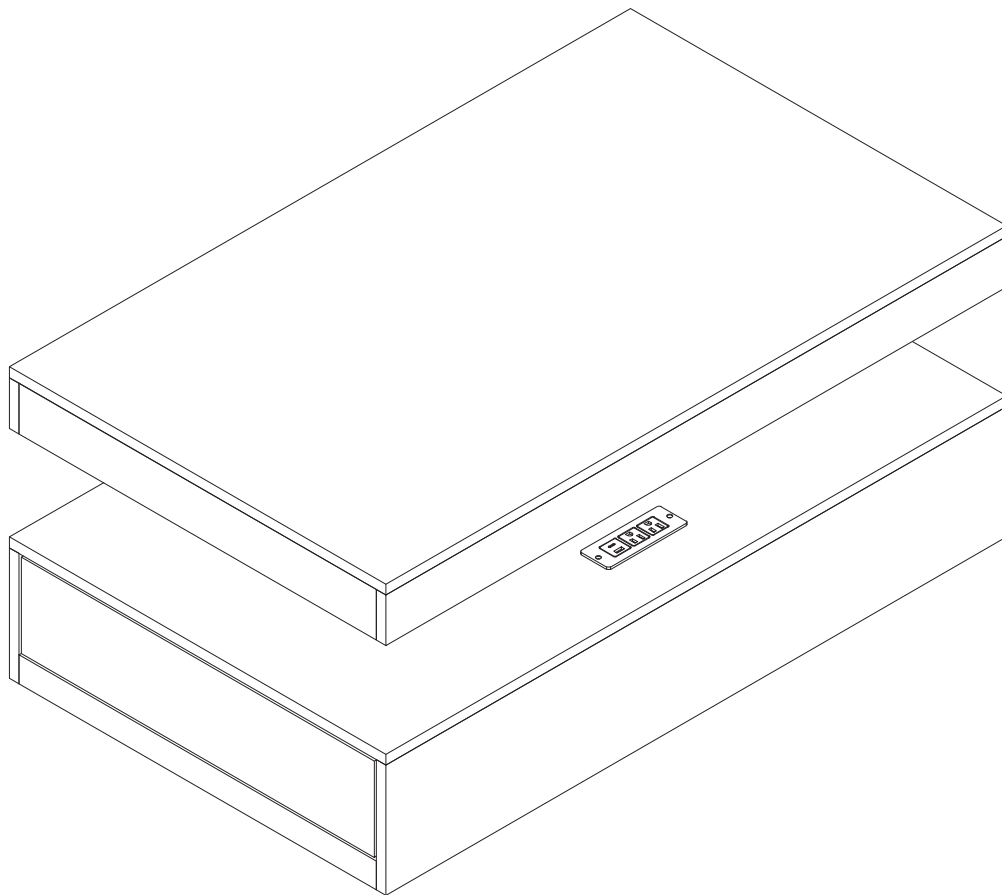


TV & Media Furniture

Television Stands & Entertainment Centers
Coffee Table



✉ (24/7):service@kmcglobe-us.com

☎ (USA) +1 213-816-4788

ATTENTION



1. The product must be assembled and used according to the manual. The seller is not liable for any damage caused by incorrect assembly or misuse.
2. Do not sit or stand on the product.
3. Place the item on a flat surface.
4. Keep small parts away from children to avoid choking hazards.
5. Keep product away from corrosive gases, liquids and dusty environment.
6. Keep the original box(es) until assembly is complete or no quality issues need to be confirmed.

AFTER-SALE SERVICE

If you have any suggestions or encounter quality issues with our products, please contact us first. Our after-sales team will respond within 24 hours, and we will do our best to provide a solution until you are satisfied.

GUARANTEED CUSTOMER SERVICE

Your shopping experience is very important to us!

If you feel unsatisfied or have any questions, just contact us without any hesitation!

If you want to share how wonderful our smart product makes your home, you can share your pictures with us!

For further information, contacts immediately:



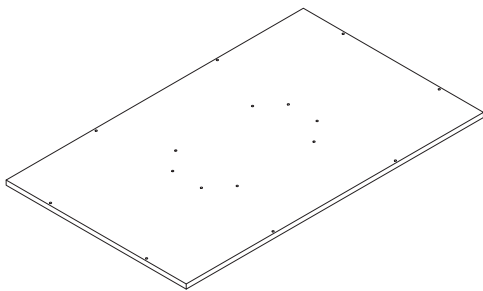
service@kmcglobe-us.com

PARTS

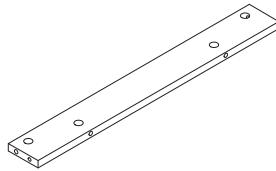
1. Please ensure that all parts, accessories and installation tools are complete before starting the installation.
2. Due to the variety of accessories, some parts may be glued together, some parts may be trapped inside the larger ones, please check carefully.
3. In case you cannot find or lose some small parts or screws during installation, we have provided extra parts.
4. If any accessories are missing or damaged, please contact us immediately.

✉ service@kmcglobe-us.com

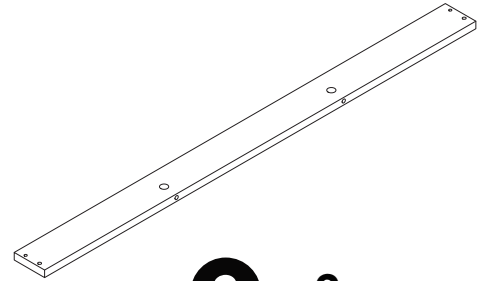
CARTON: A



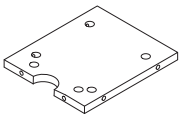
1 x 1



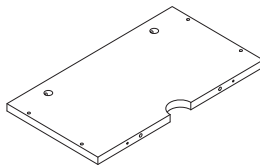
2 x 2



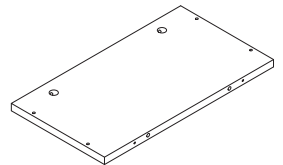
3 x 2



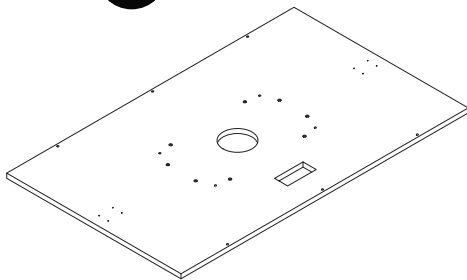
4 x 2



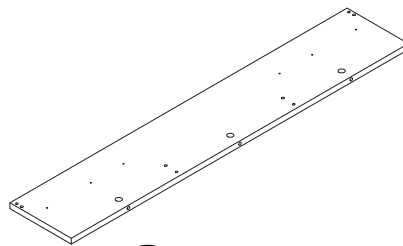
5 x 1



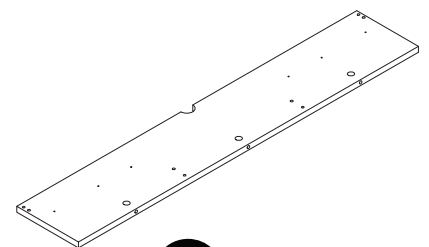
6 x 1



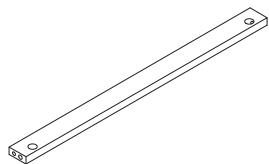
7 x 1



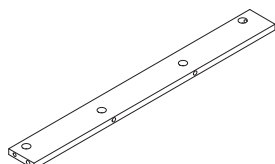
8 x 1



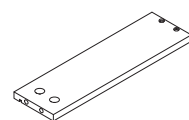
9 x 1



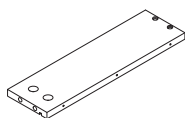
10 × 2



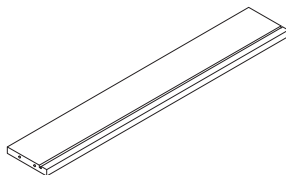
11 × 2



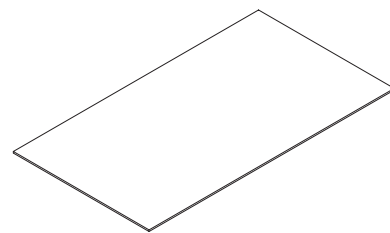
12 × 2



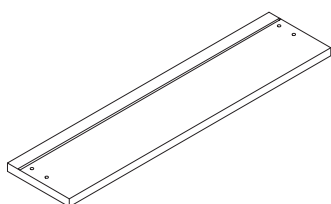
13 × 2



14 × 2



15 × 2



16 × 2

HARDWARE



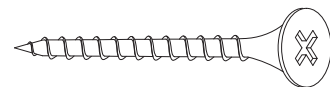
M6x35mm

A x 54+3



Φ15x9mm

B x 54+3



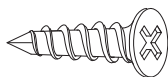
M4x40mm

C x 16+1



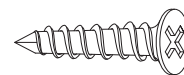
Φ6x30mm

D x 16+1



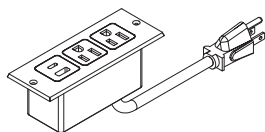
M3x12mm

E x 40+3

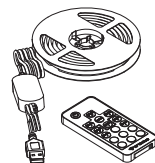


M3.5x14mm

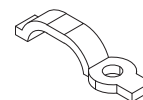
F x 2



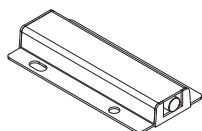
G x 1



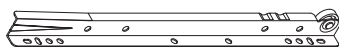
H x 1



I x 8+1

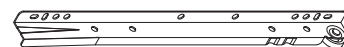


J x 2



300mm

DL x 2



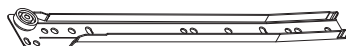
300mm

DR x 2



300mm

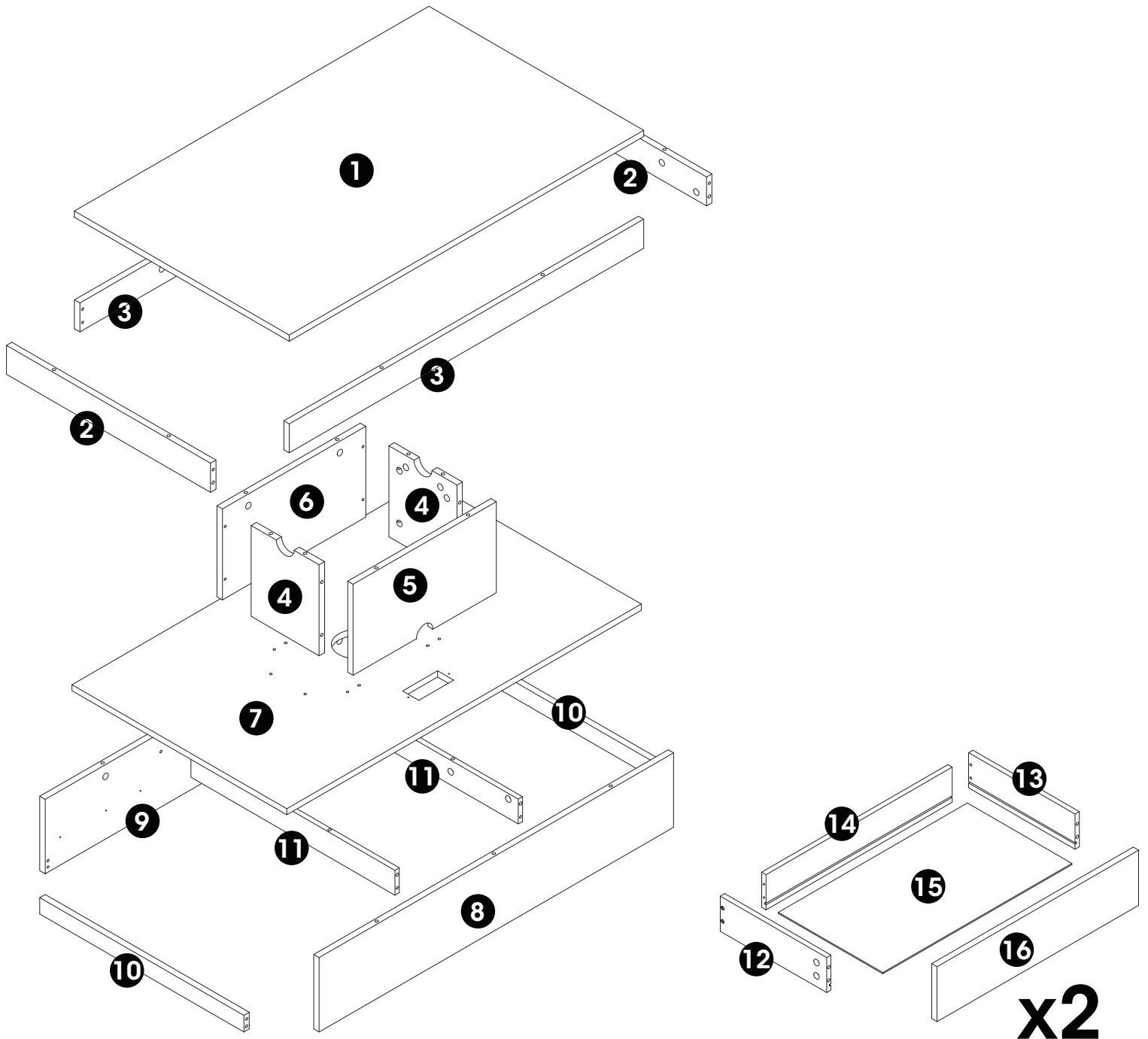
CL x 2



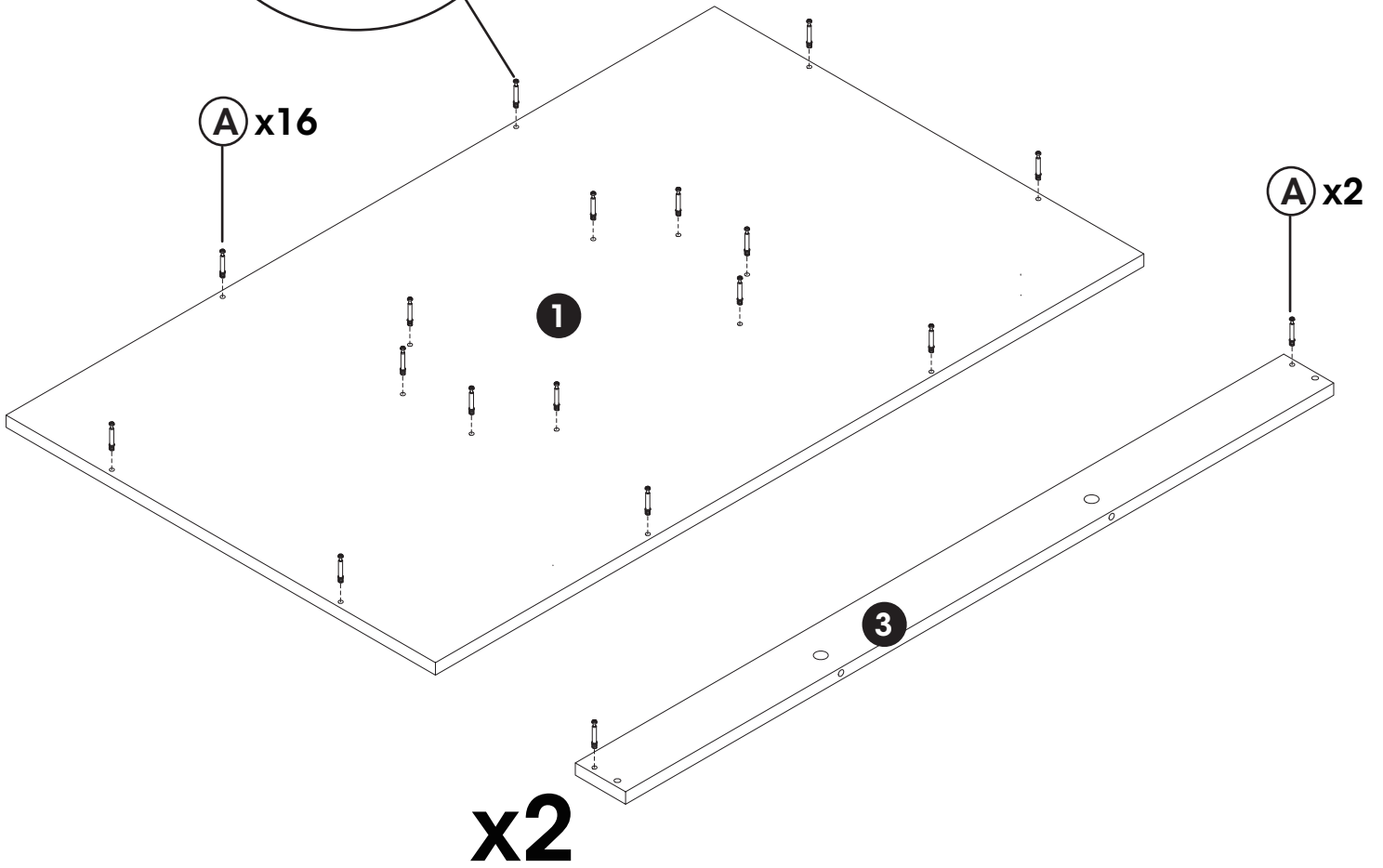
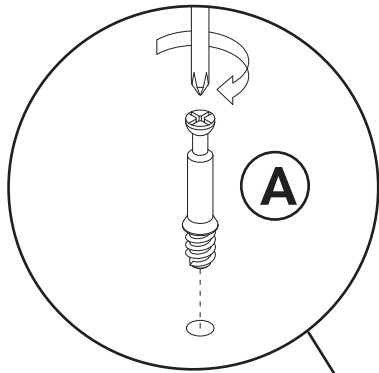
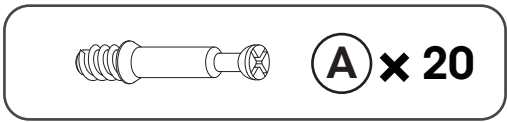
300mm

CR x 2

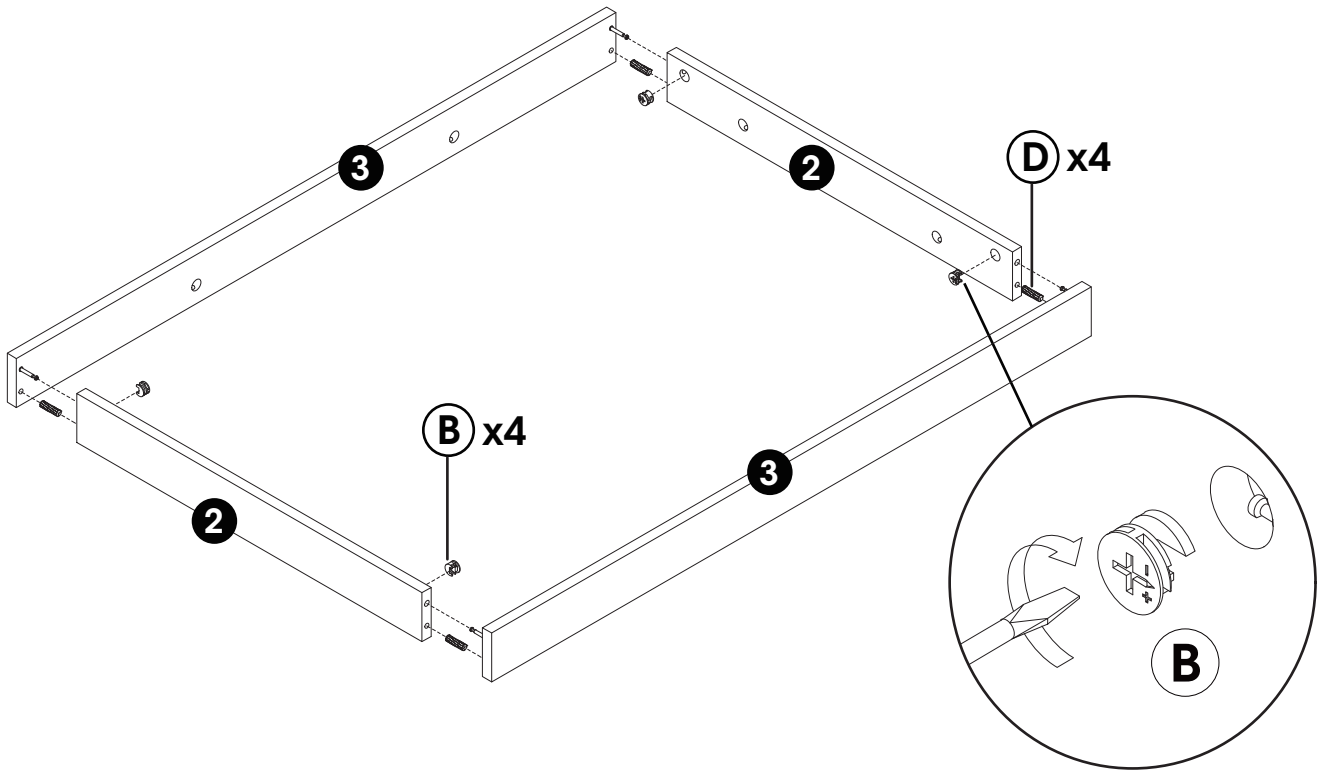
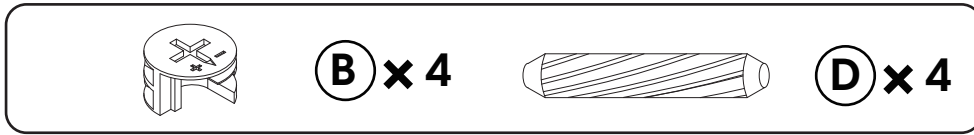
EXPLOSION VIEW



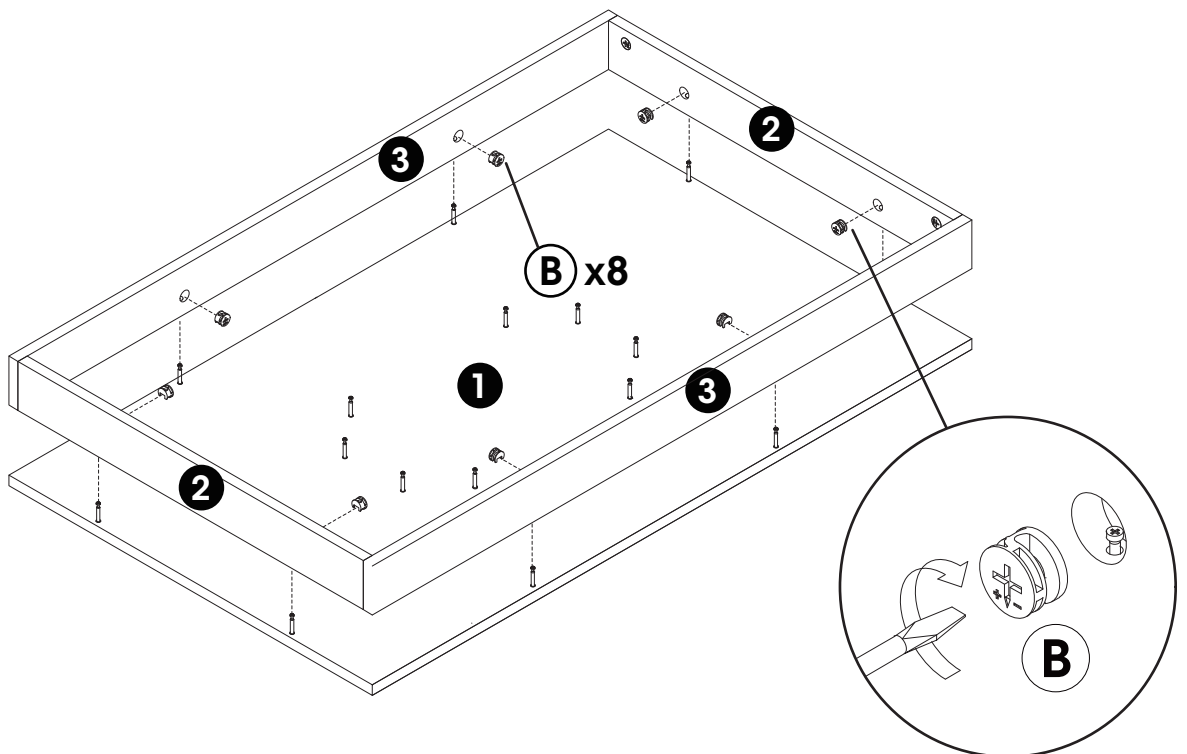
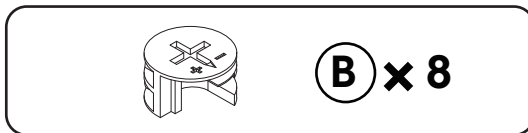
1



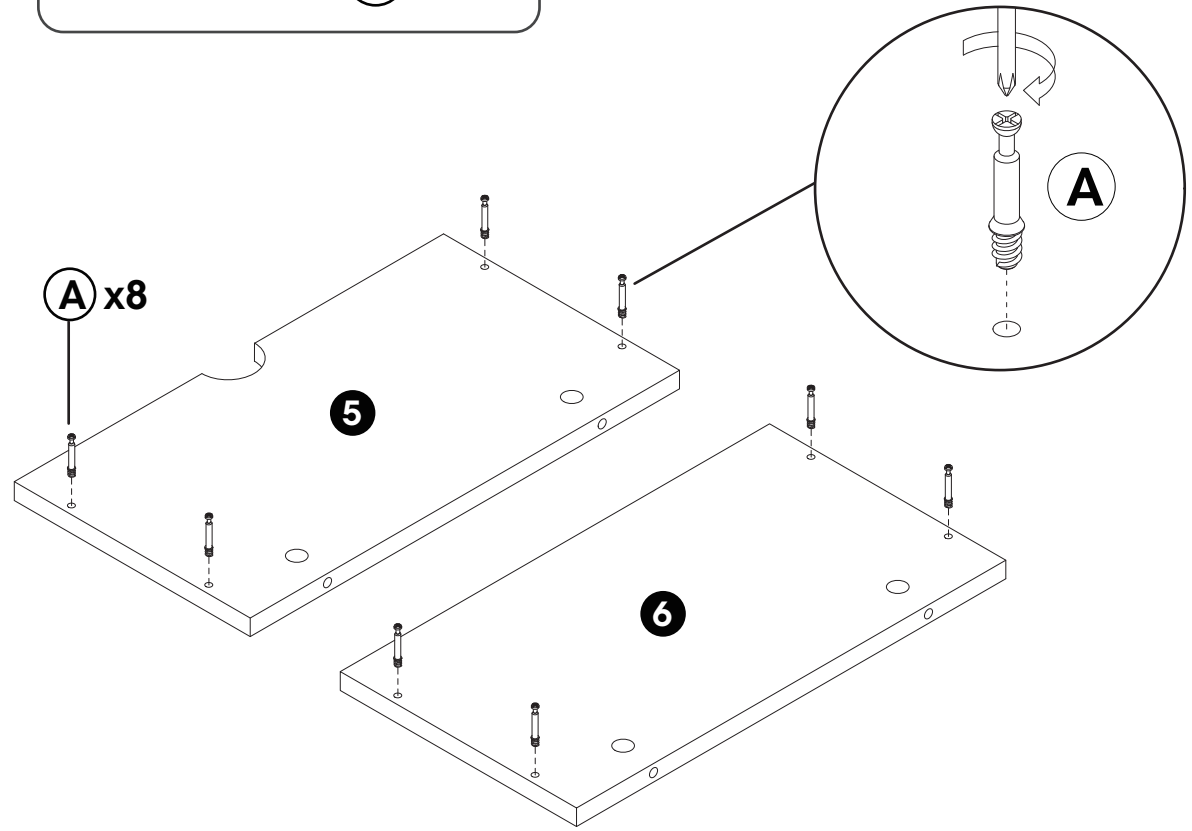
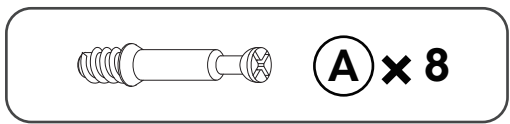
2



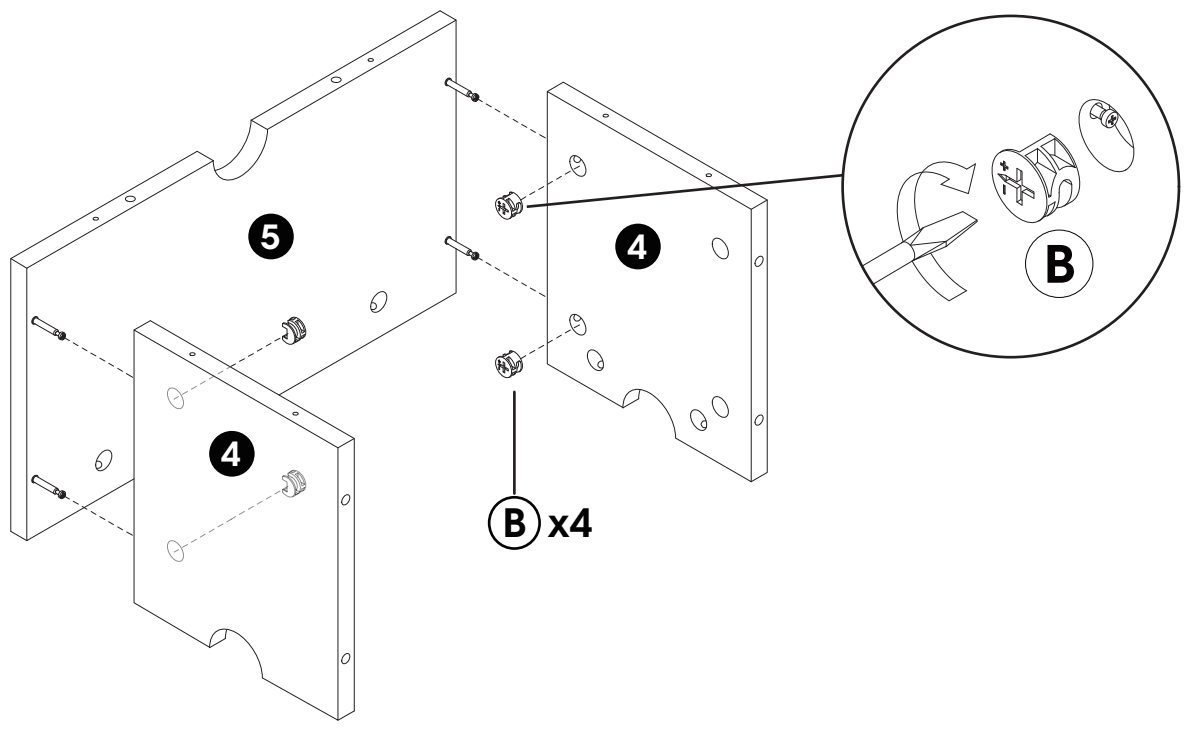
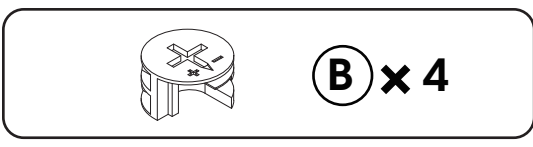
3



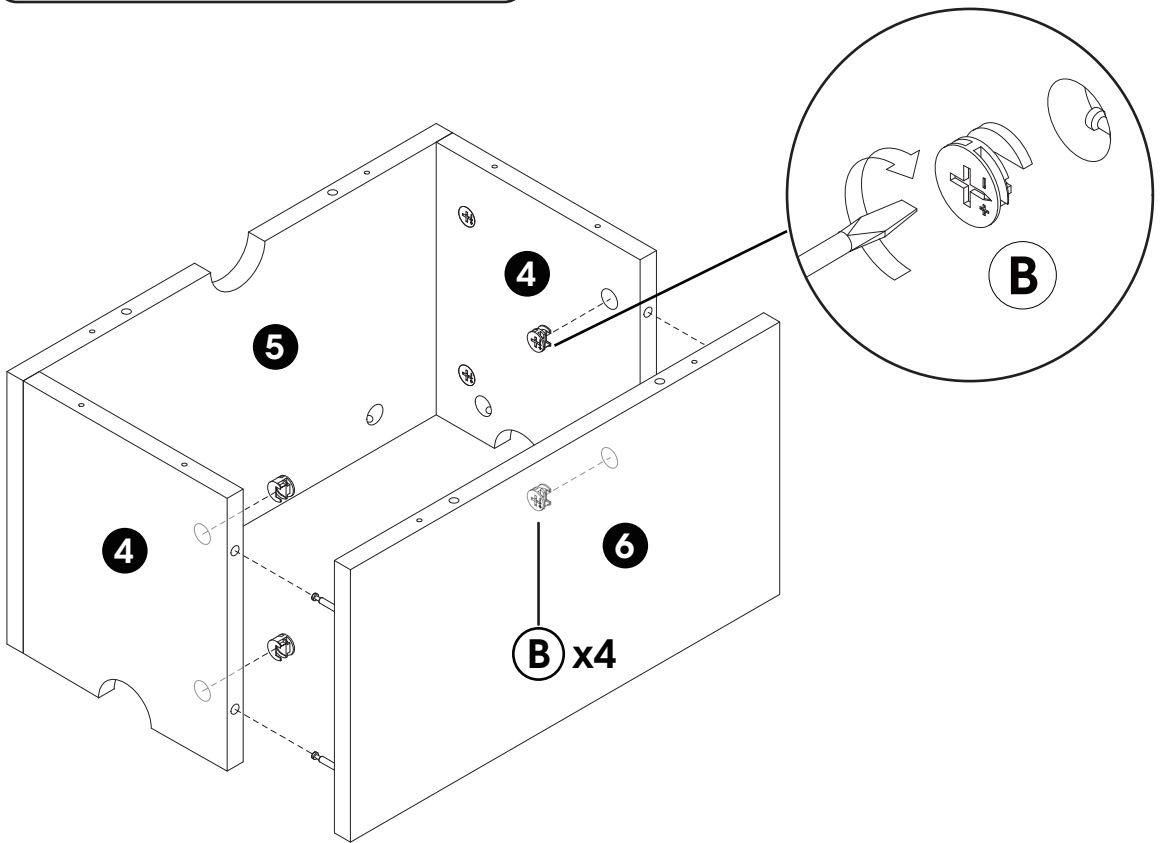
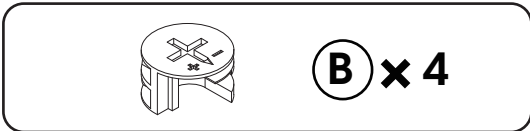
4



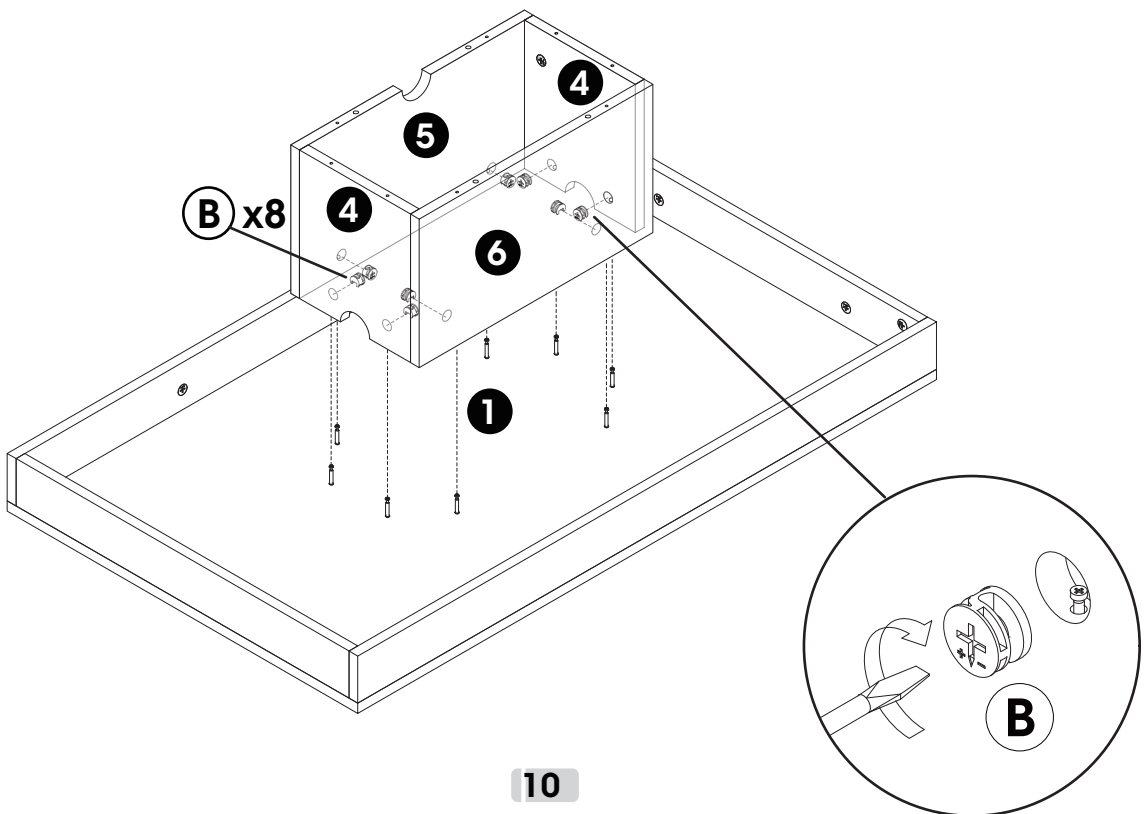
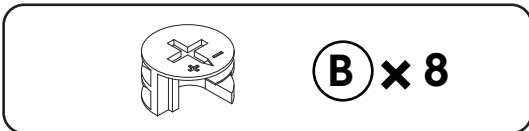
5



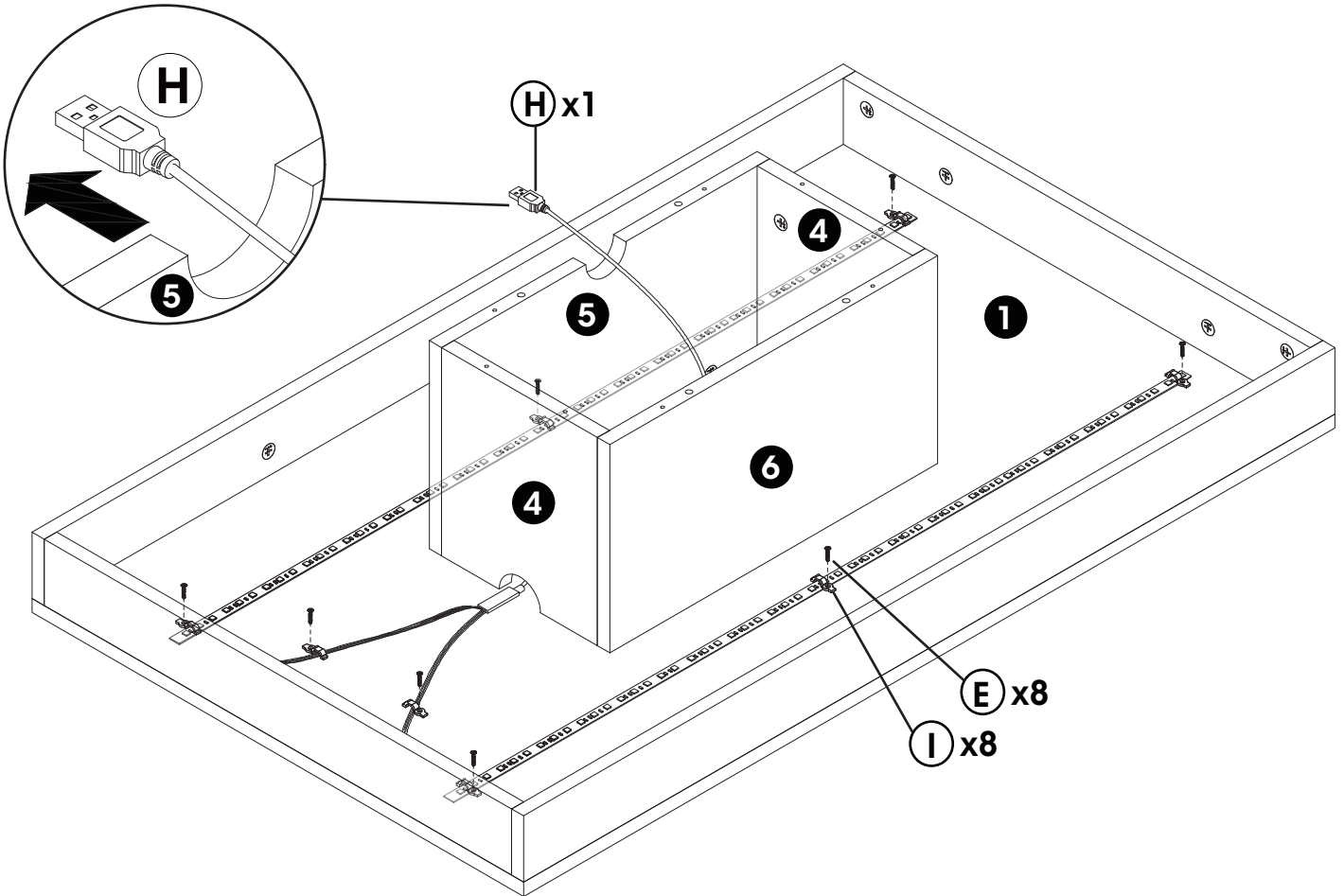
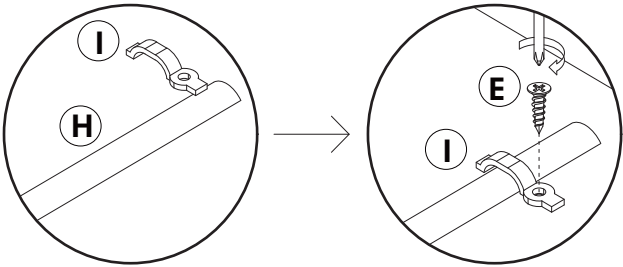
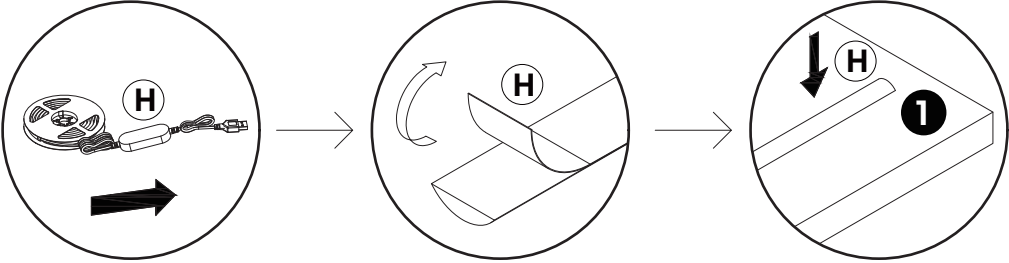
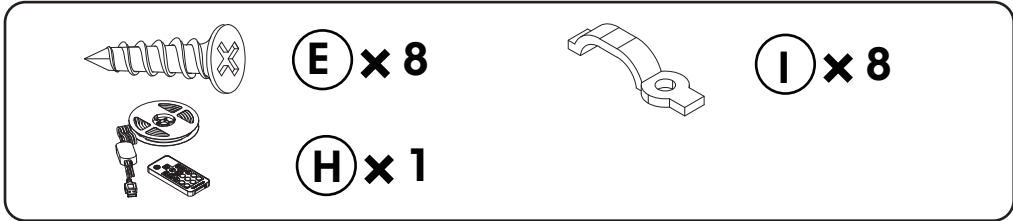
6



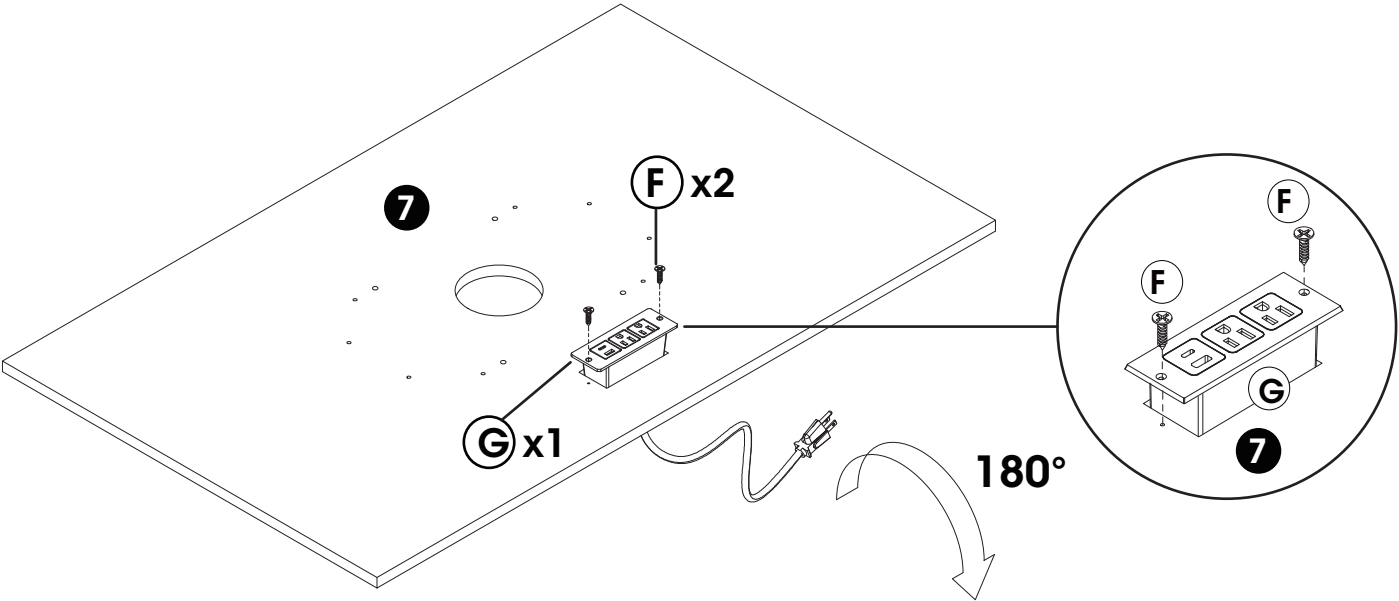
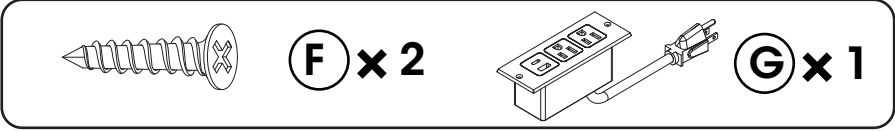
7



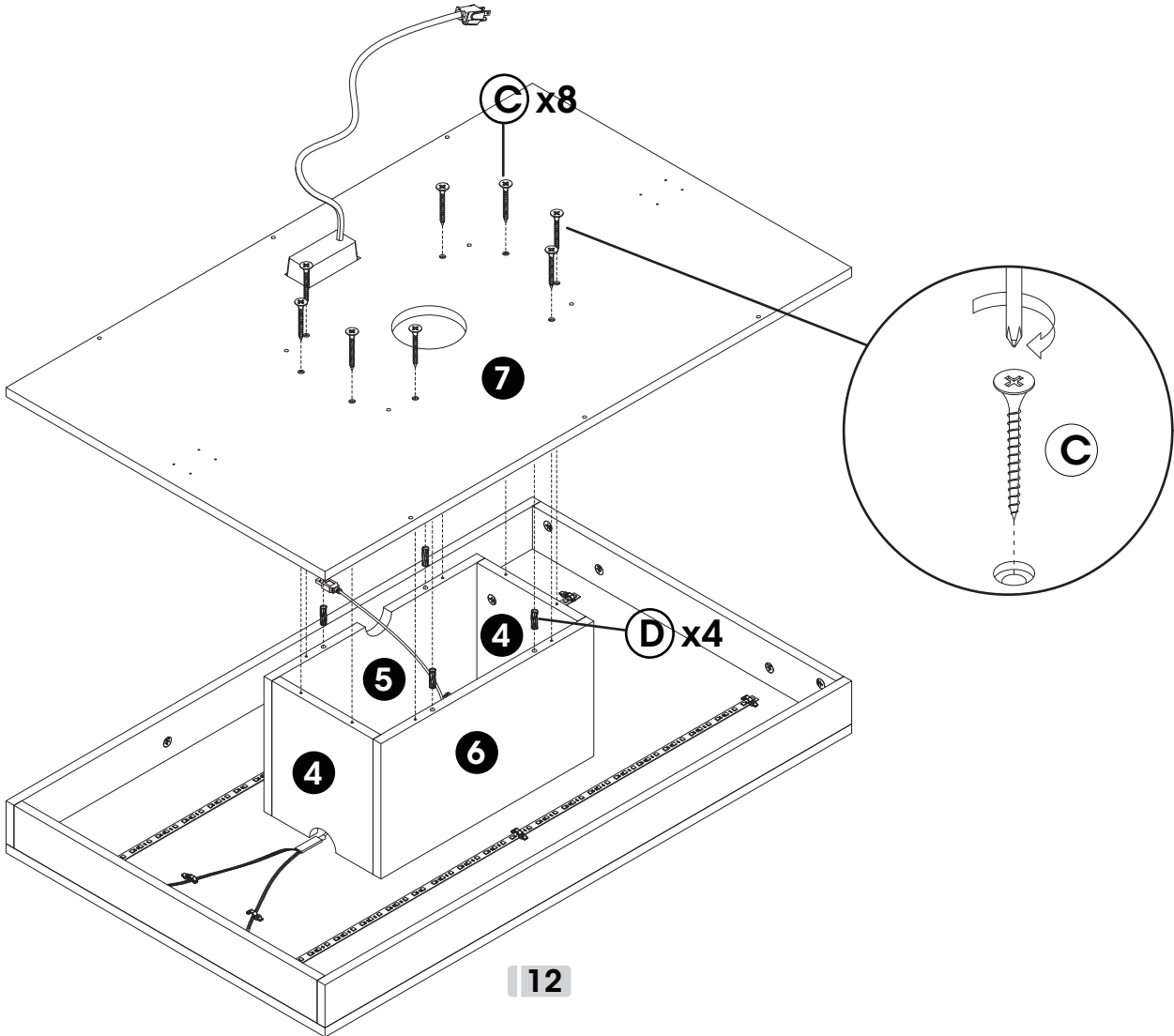
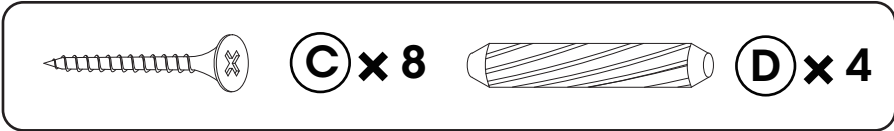
8

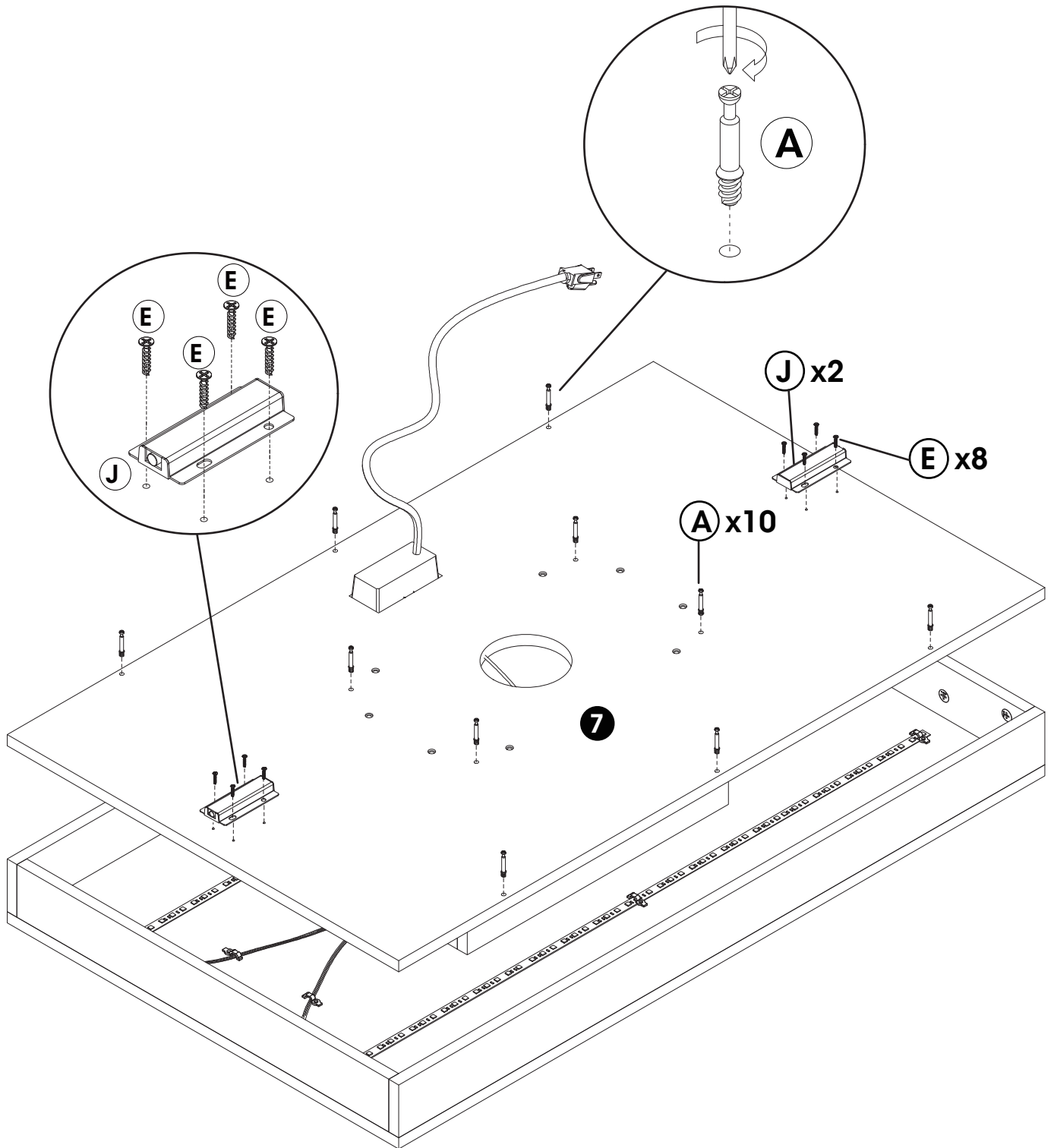
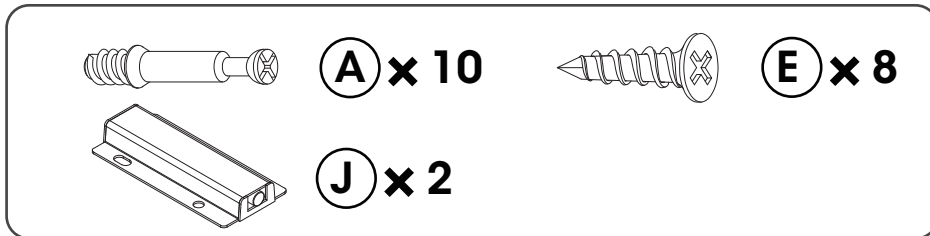


9

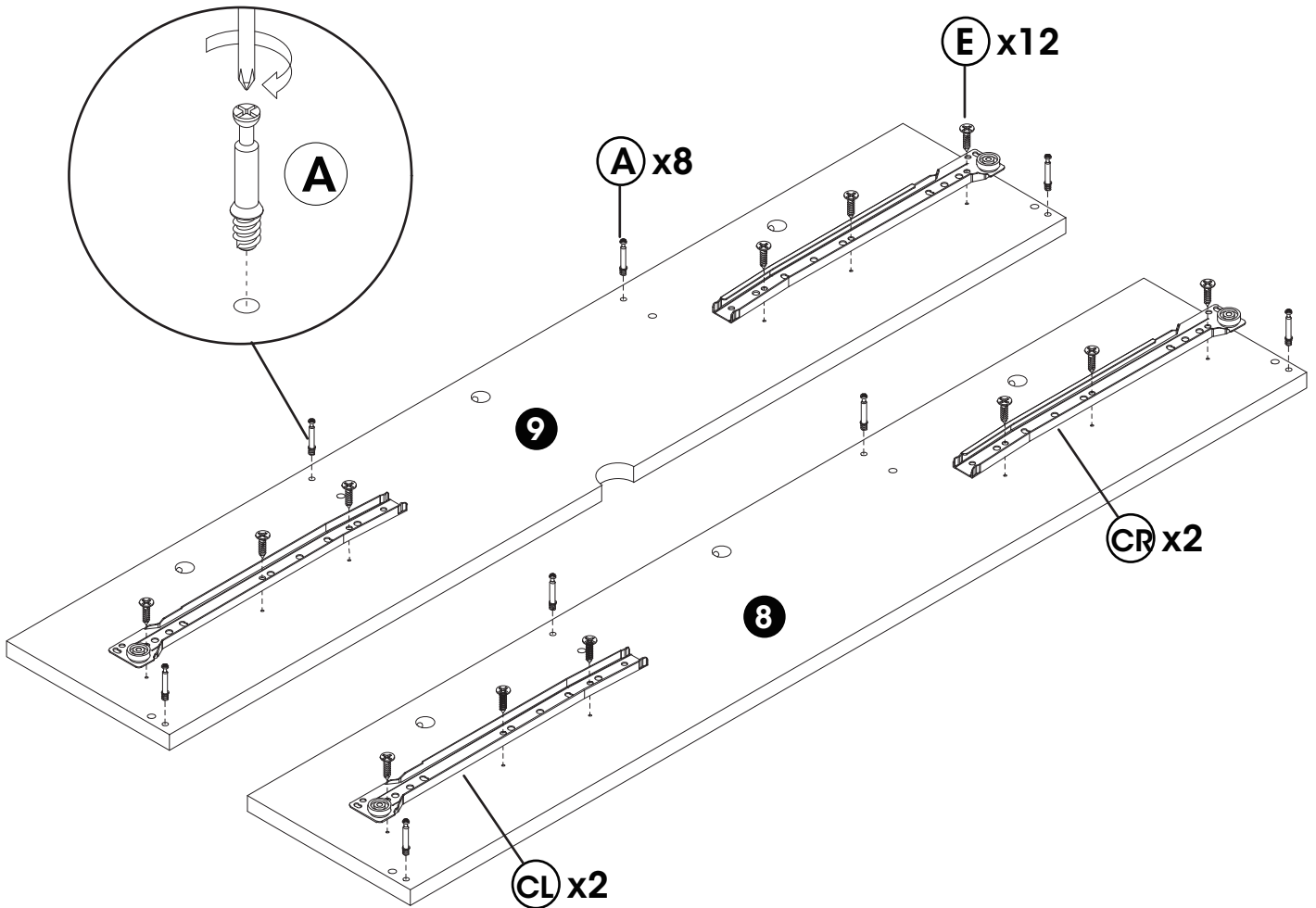
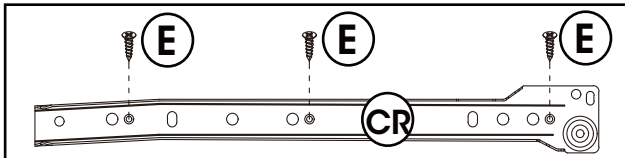
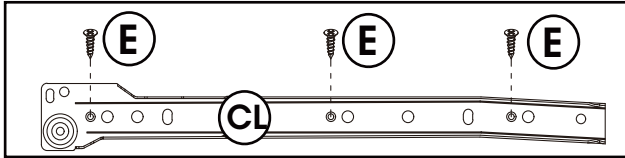
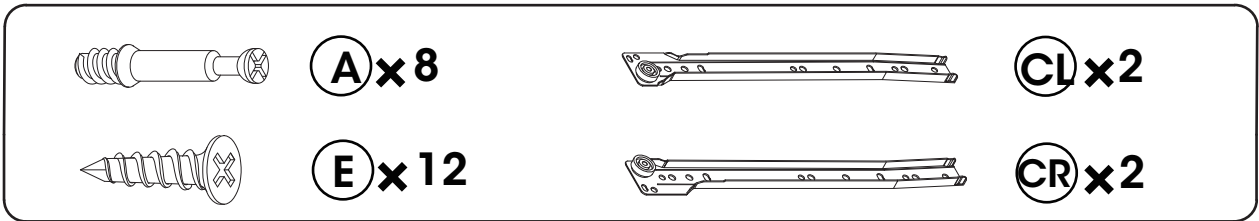


10

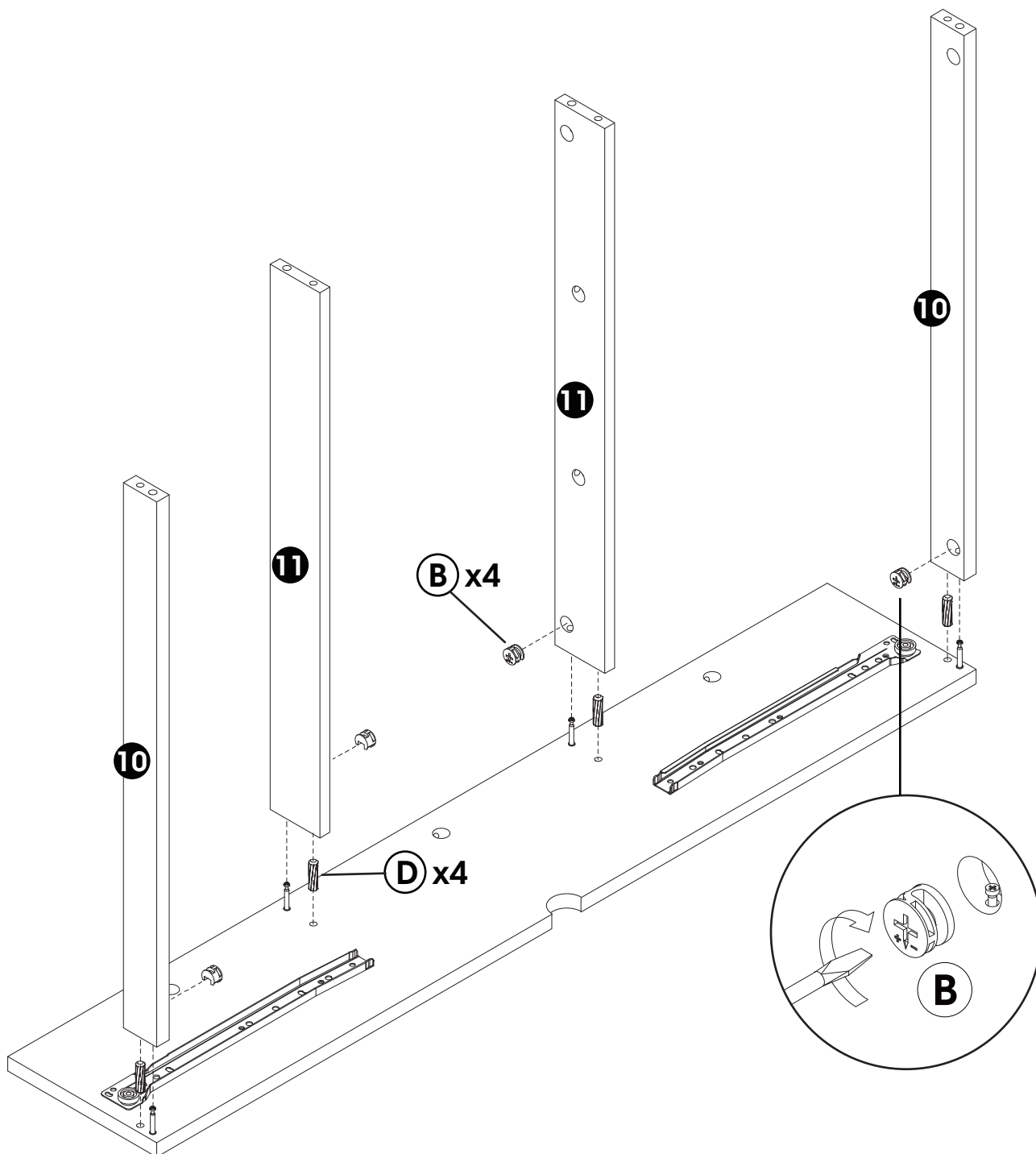
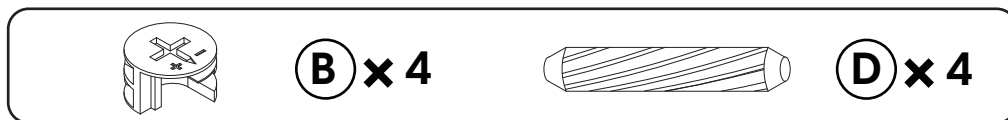




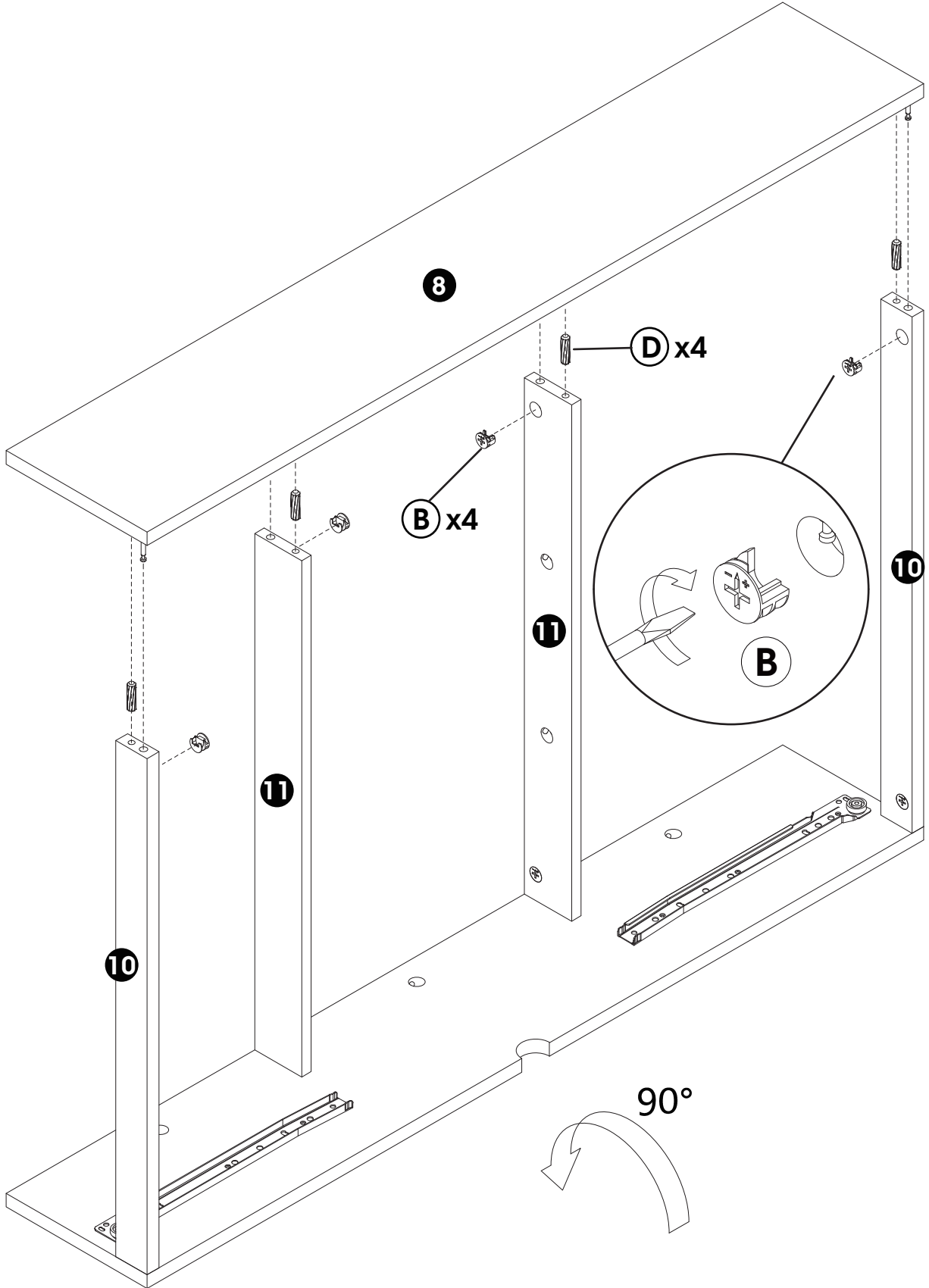
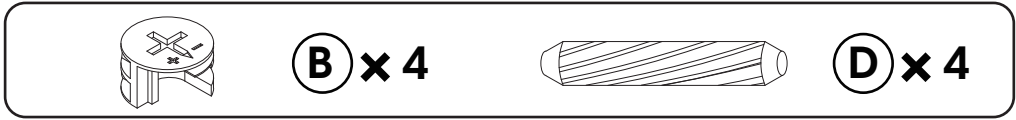
12



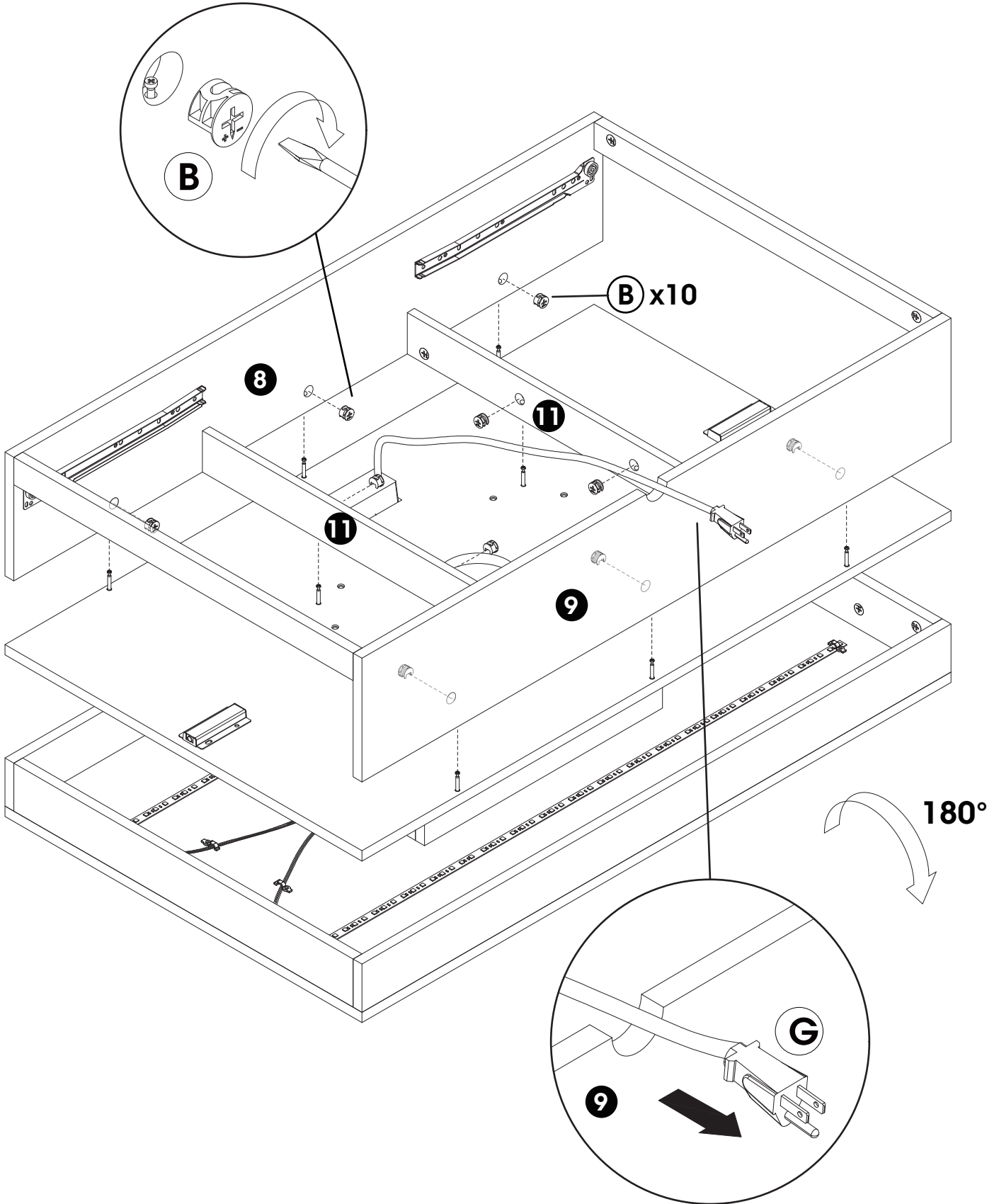
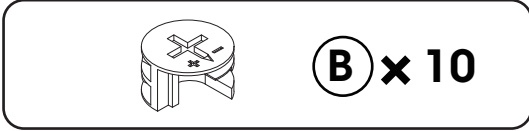
13



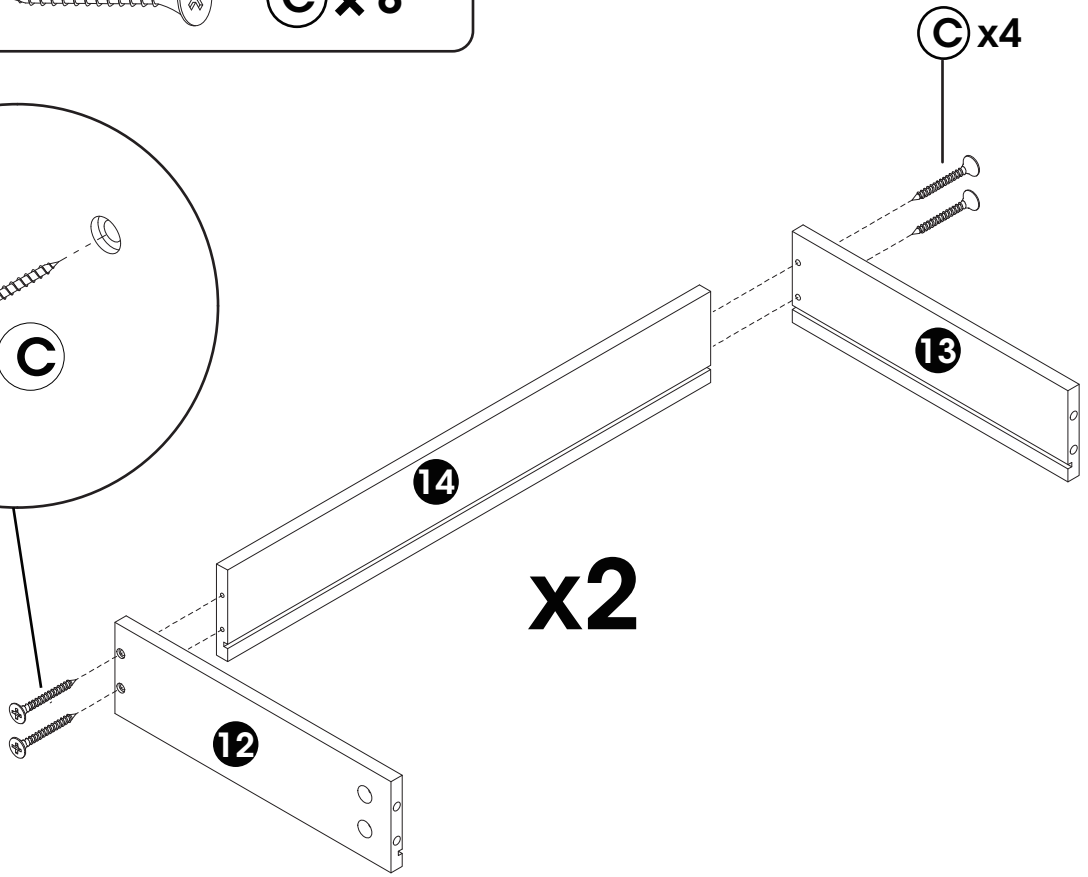
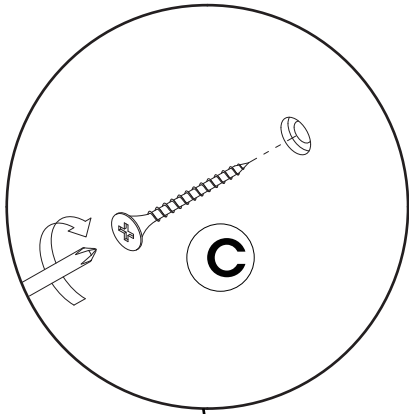
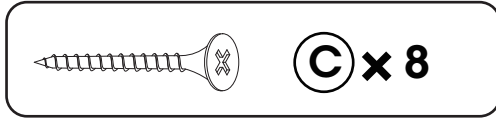
14



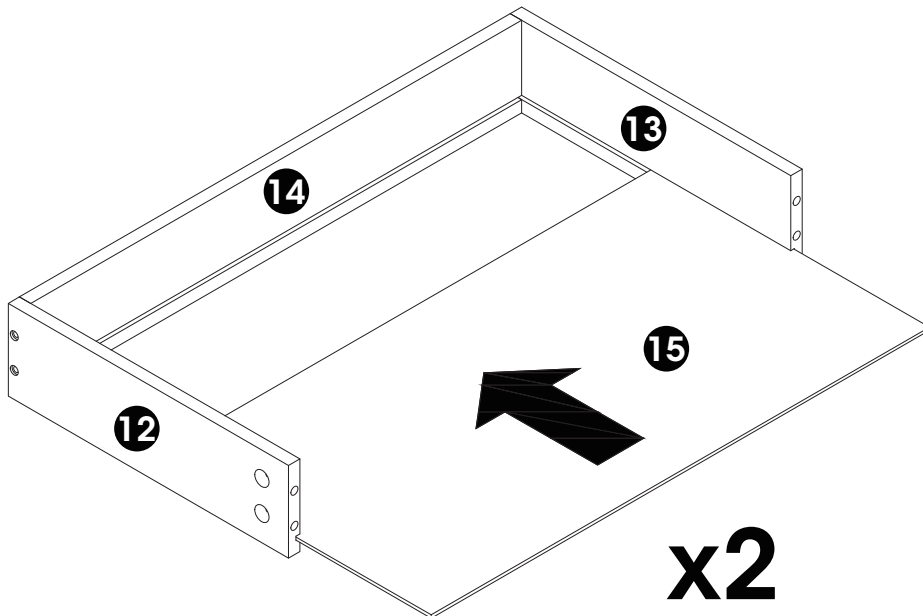
15



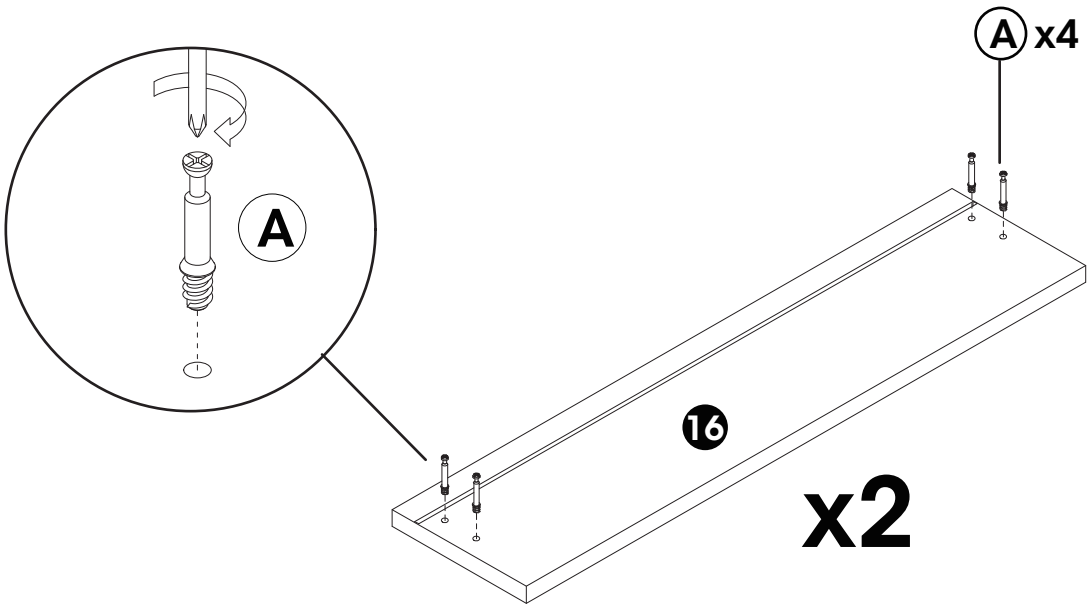
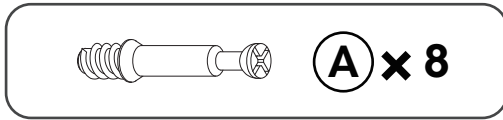
16



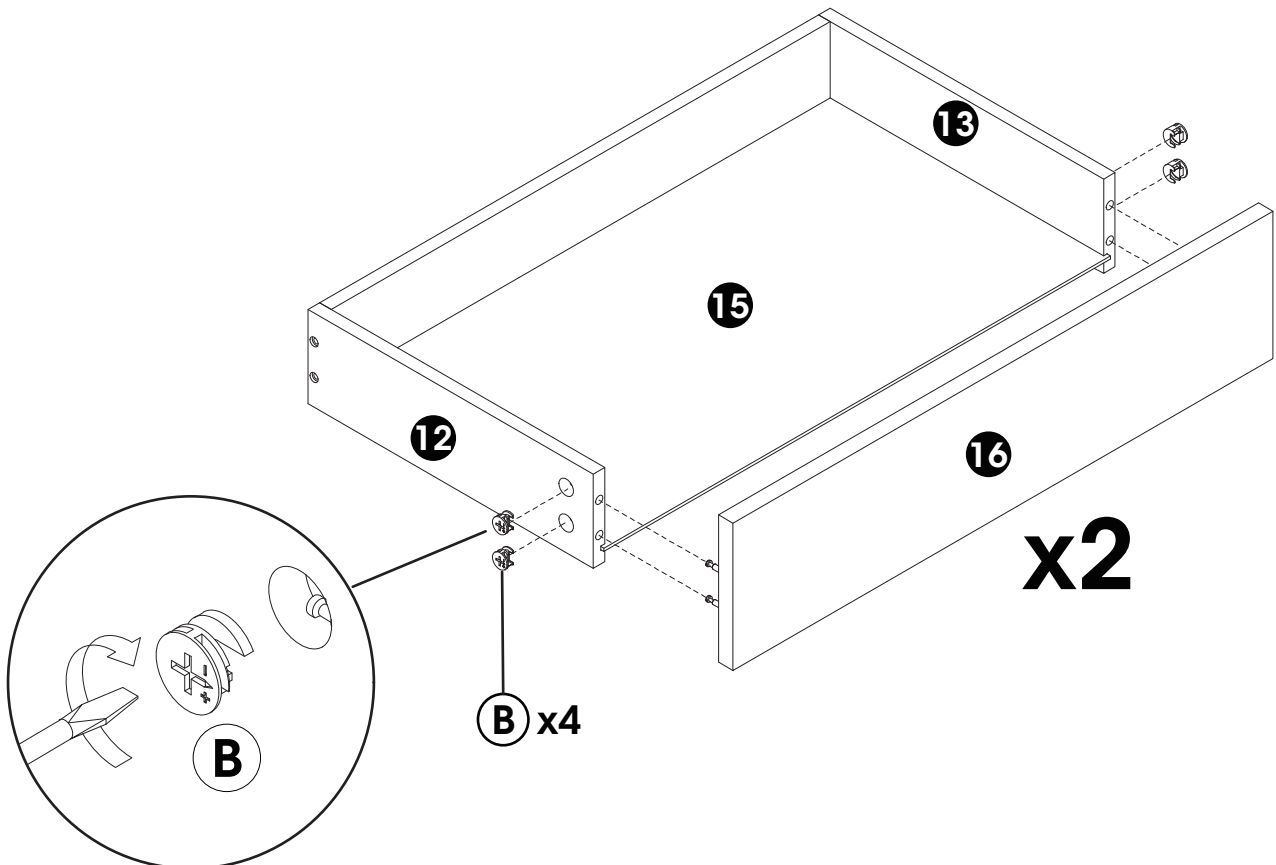
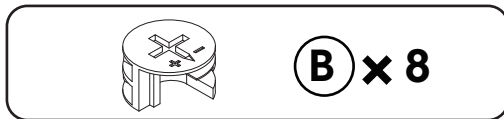
17



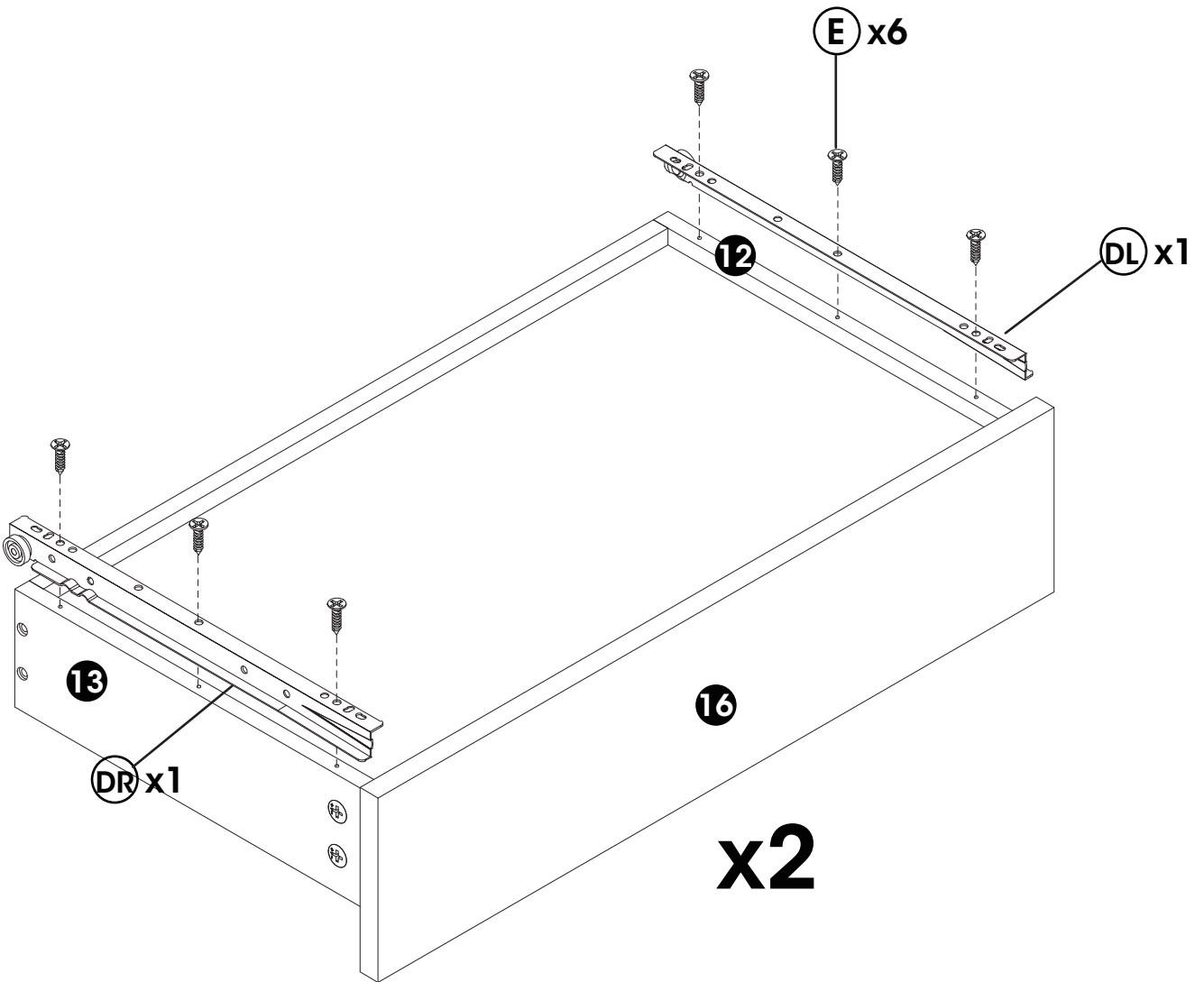
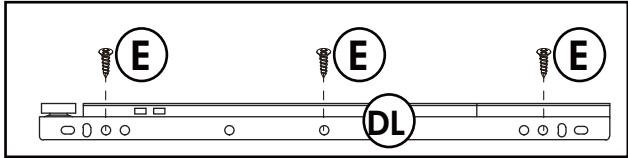
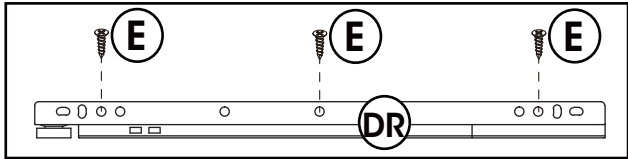
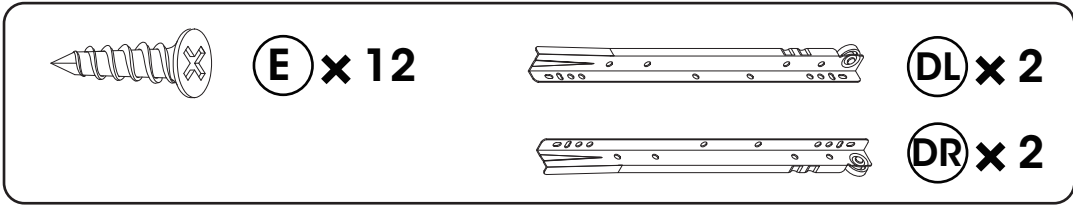
18

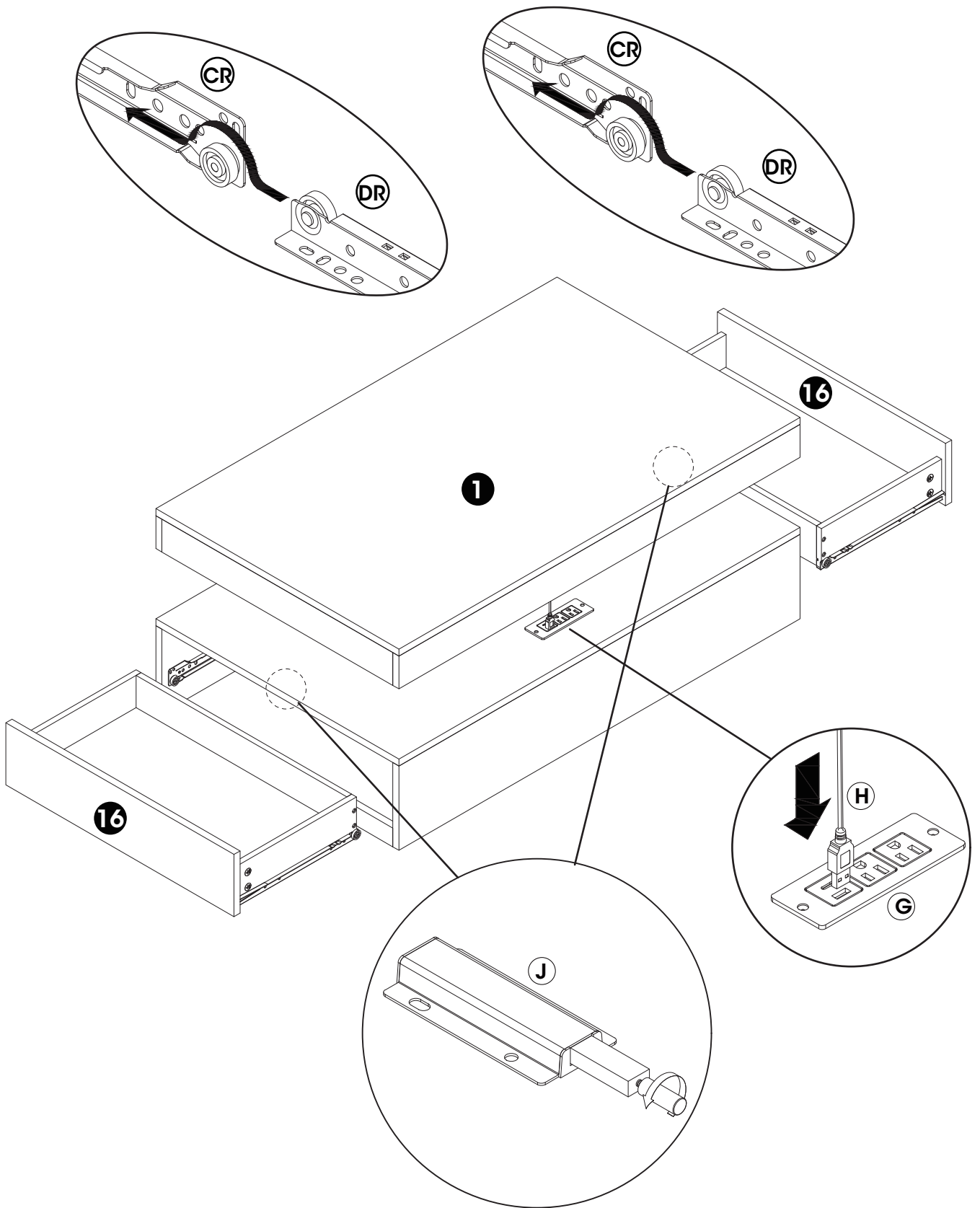


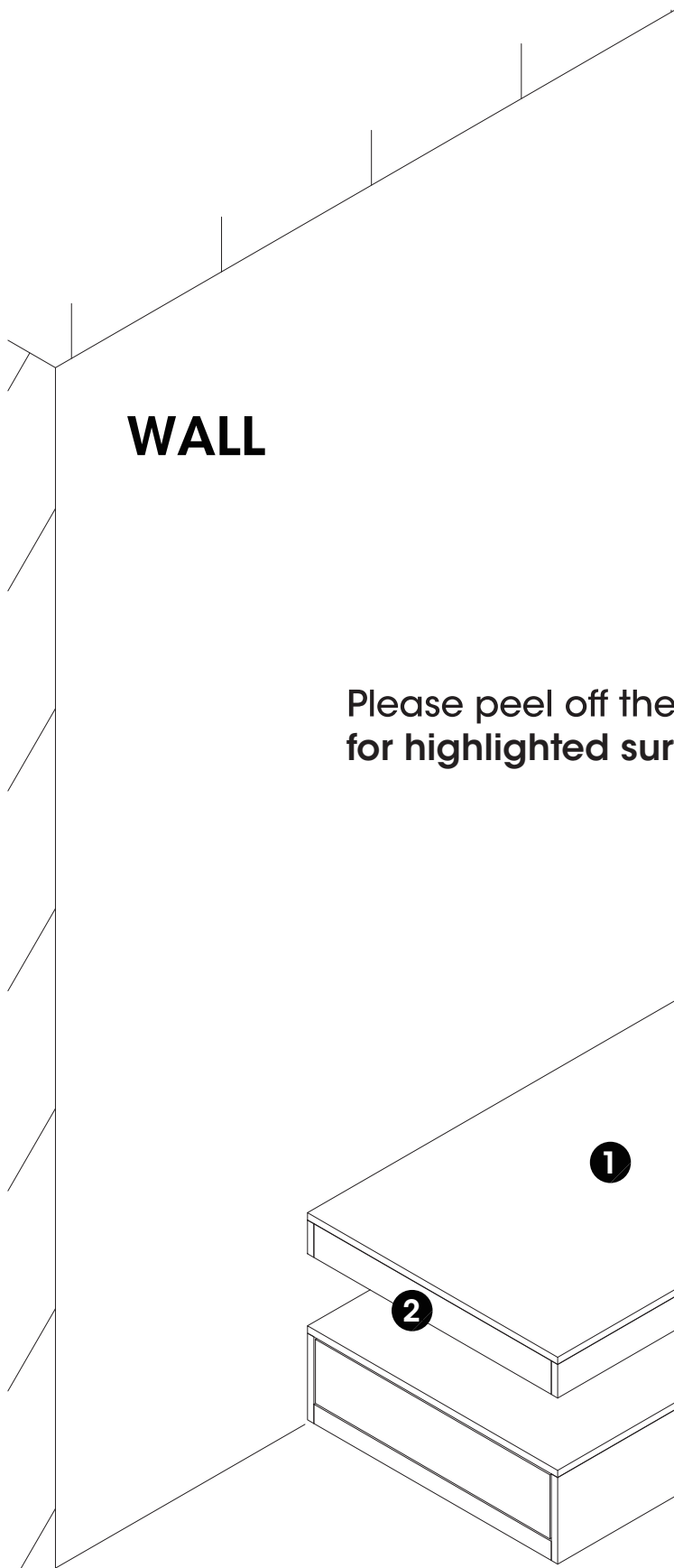
19



20

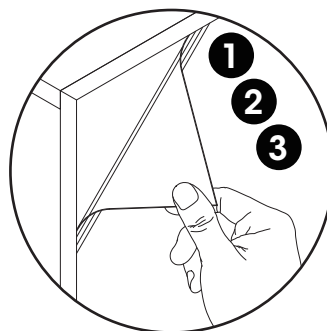






WALL

Please peel off the film for highlighted surface



AFTER-SALE

AFTER-SALE SERVICE

If you have any suggestions or encounter quality issues with our products, please contact us first.

Our after-sales team will respond within 24 hours, and we will do our best to provide a solution until you are satisfied.

GUARANTEED CUSTOMER SERVICE

Your shopping experience is very important to us!

If you feel unsatisfied or have any questions,
just contact us!

If you want to share how wonderful our smart product makes your home, **just contact us** and share your pictures!

For further information,
just contact us!



 service@kmcglobe-us.com

 (USA) +1 213-816-4788