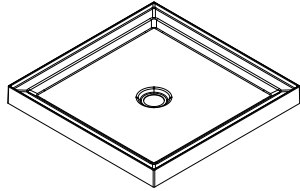


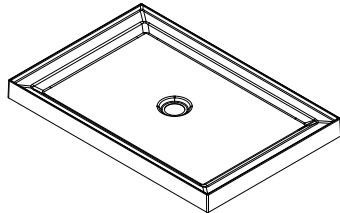
Installation Manual

Compatible Models:

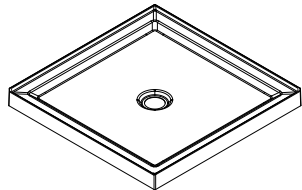
SBF36-3W
SBF36-3B
SBF36-3YB



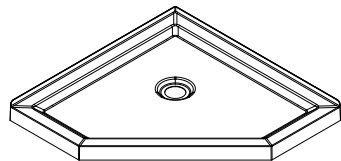
SBC48-3W



SBF36-2B
SBF36-2W



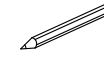
SBZ36-2W



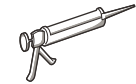
Pre-installation preparation



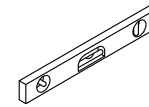
Tape Measure



Pencil



Sealant Gun



Level

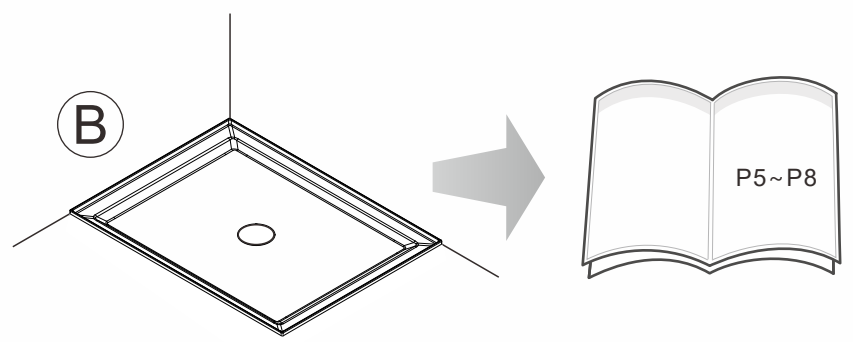
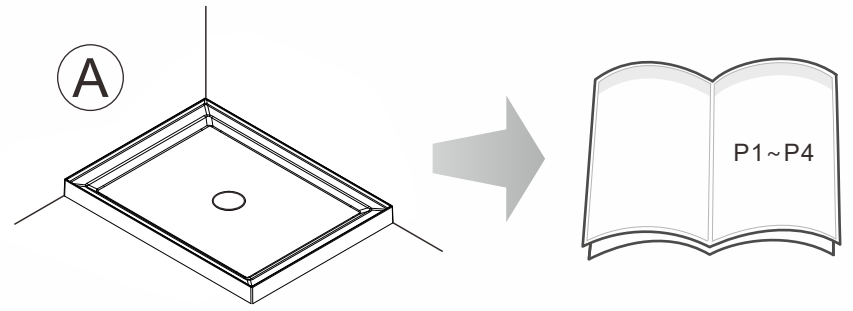
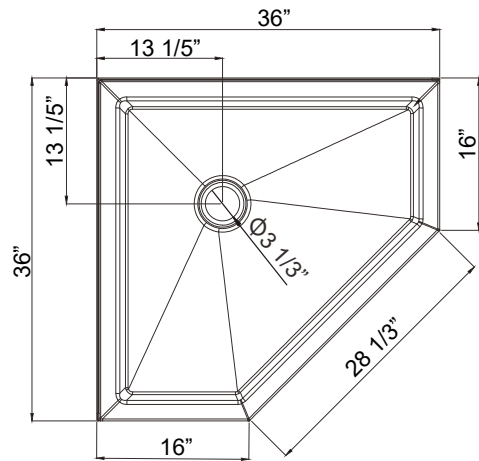
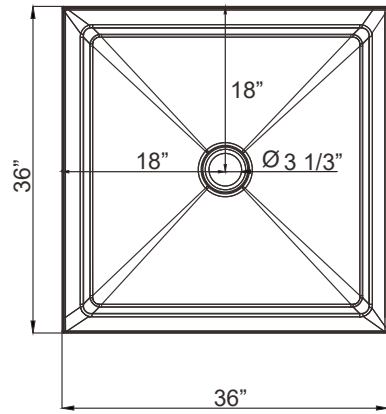
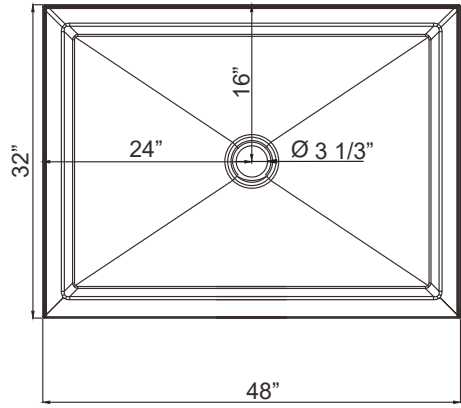


Cement or other material



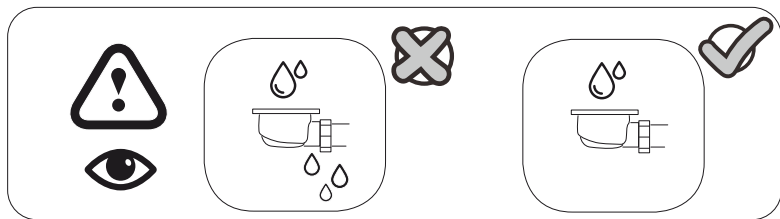
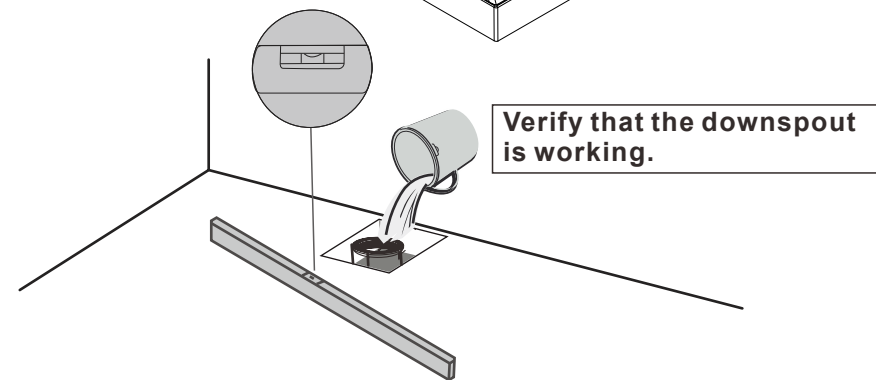
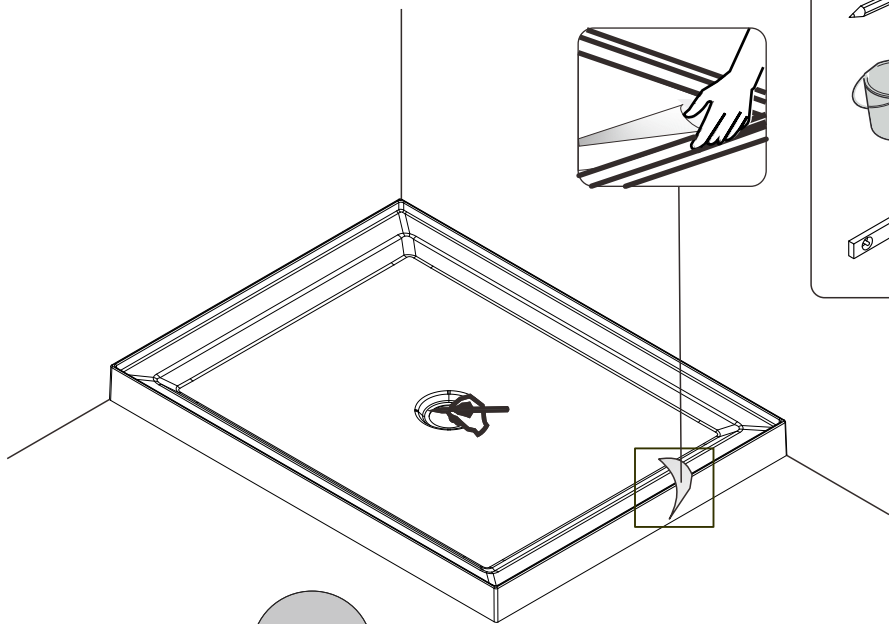
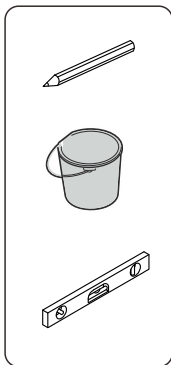
1h





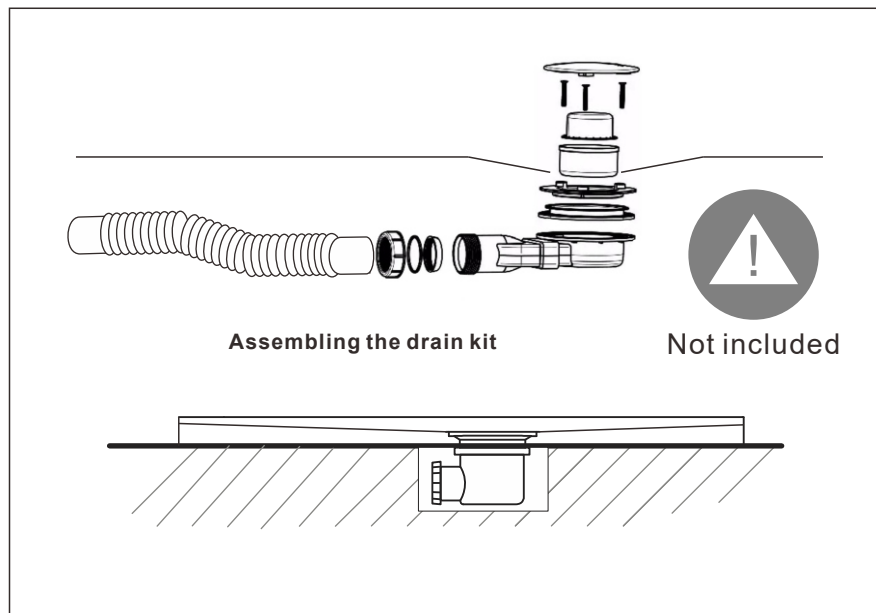
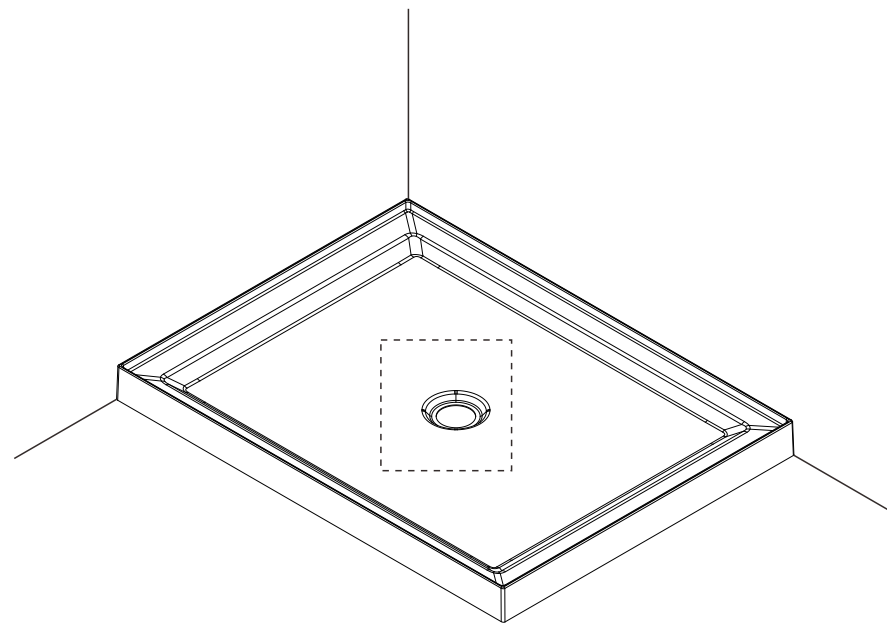
1

A



1

2

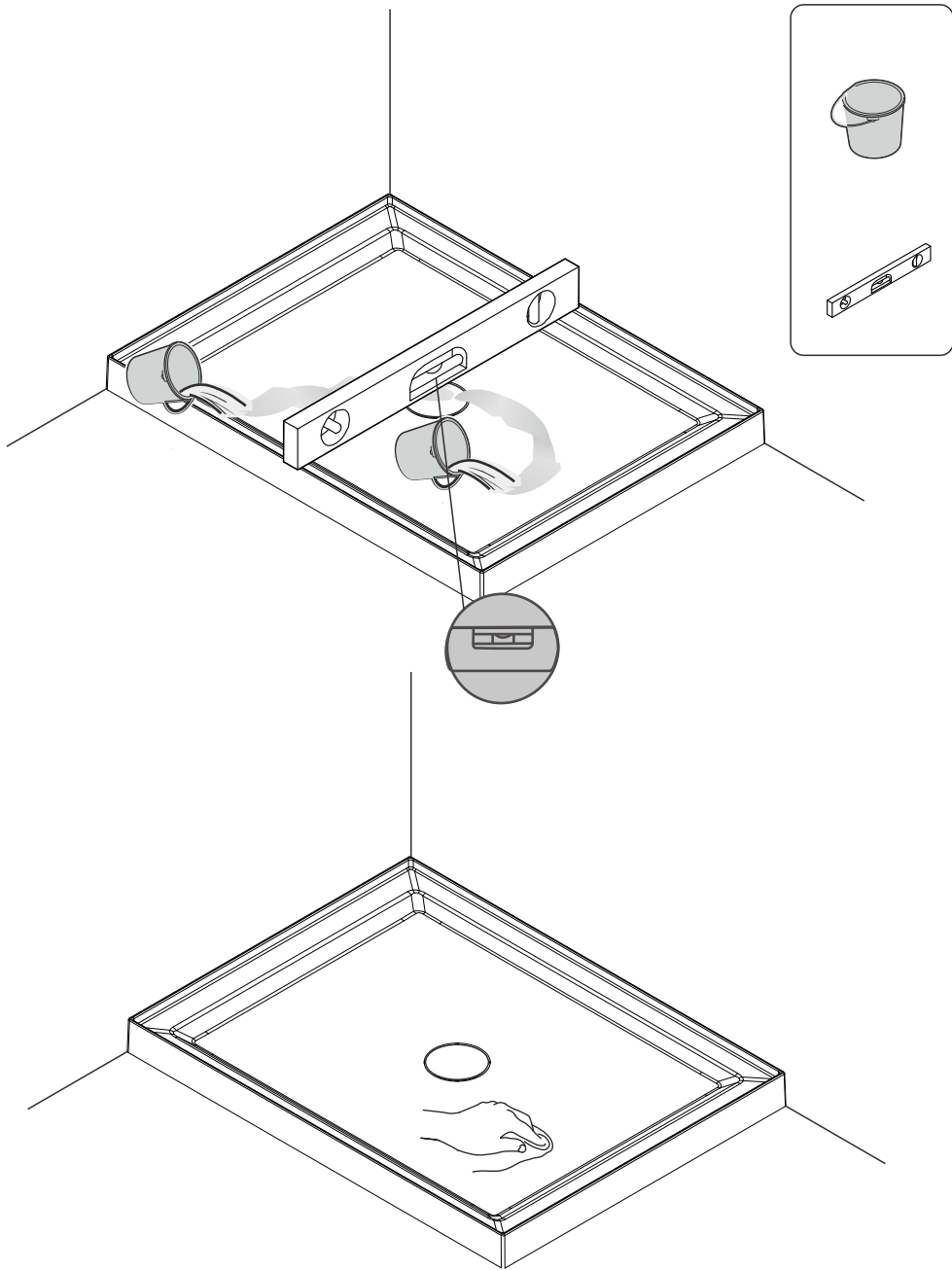


Assembling the drain kit

Not included

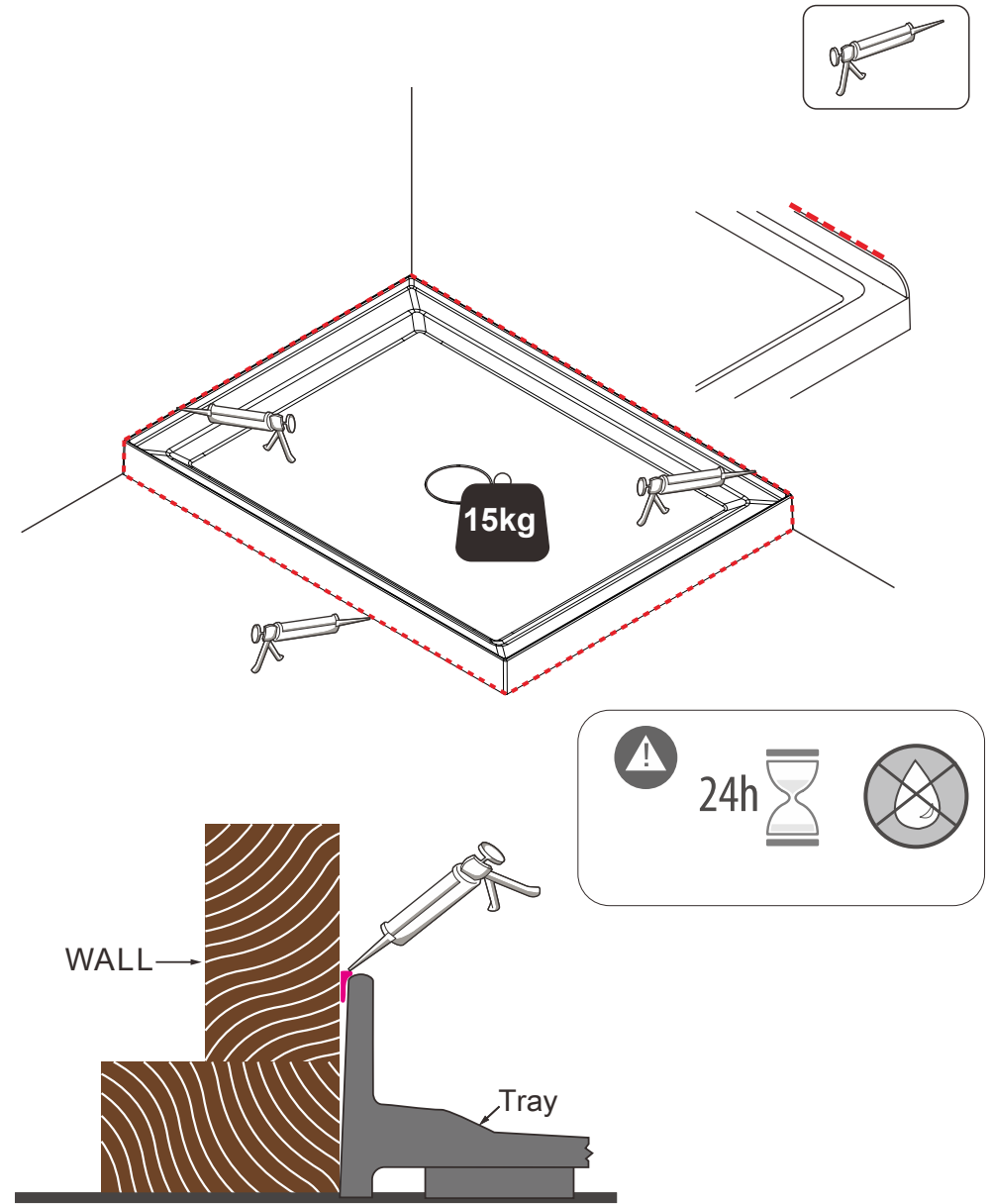
2

3



3

4

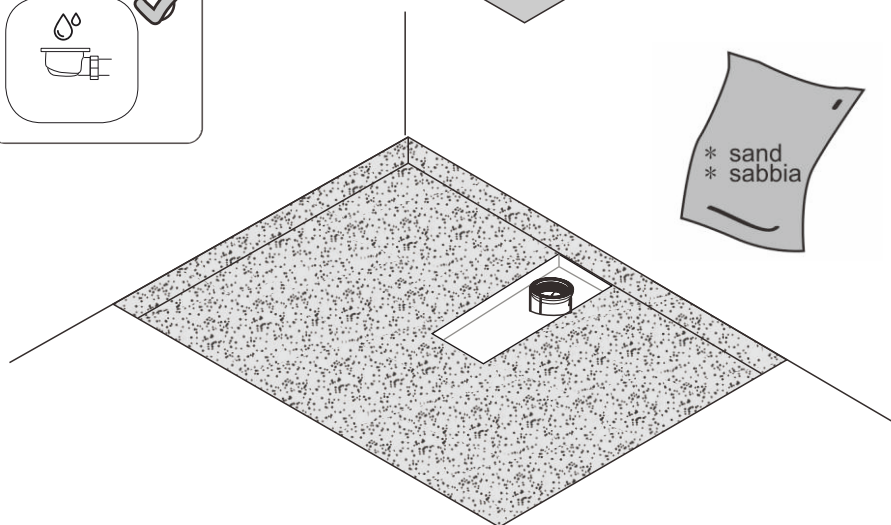
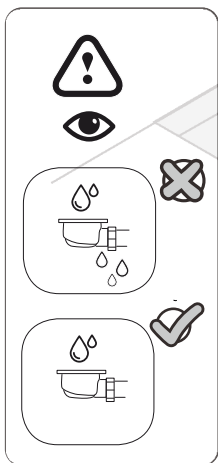
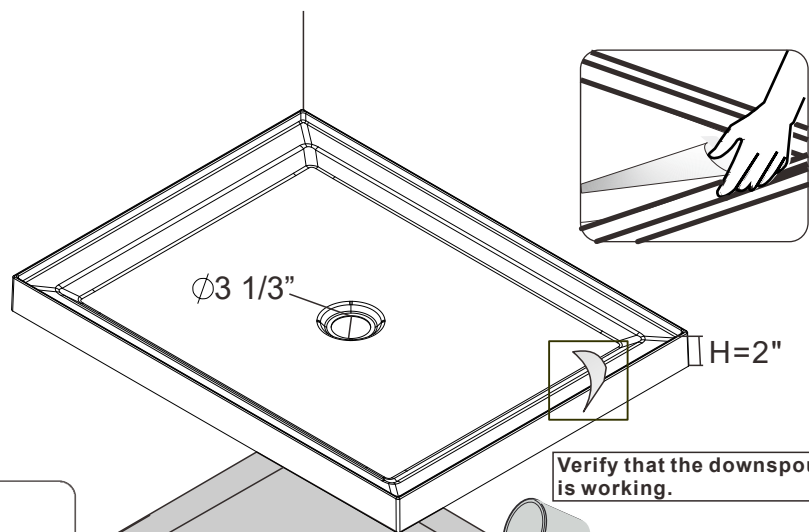


Using a caulking gun, apply sealant to all edges of the shower base and leave to dry for at least 24 hours.

4

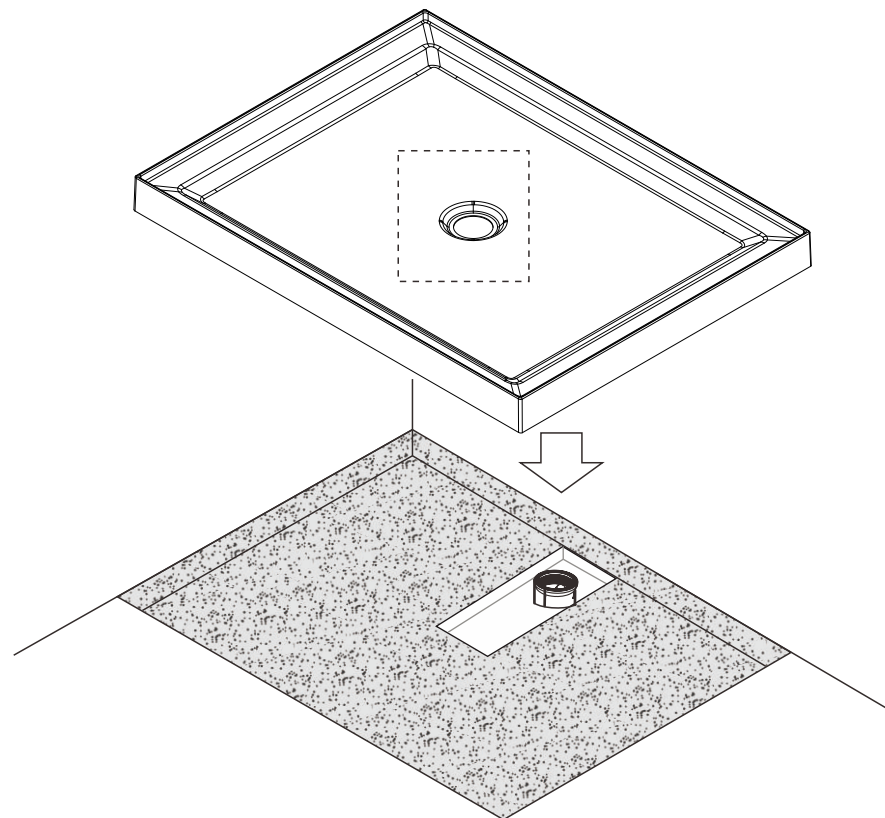
1

B

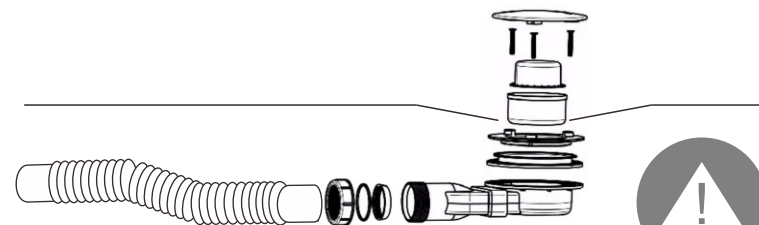


5

2



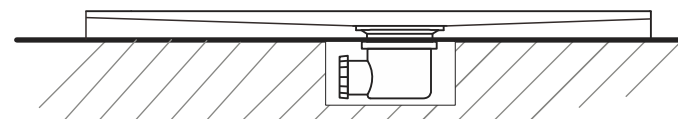
Connect the downspout. Place the shower base in the marked area. Manually adjust the shower base and confirm the level with a level.



Assembling the drain kit

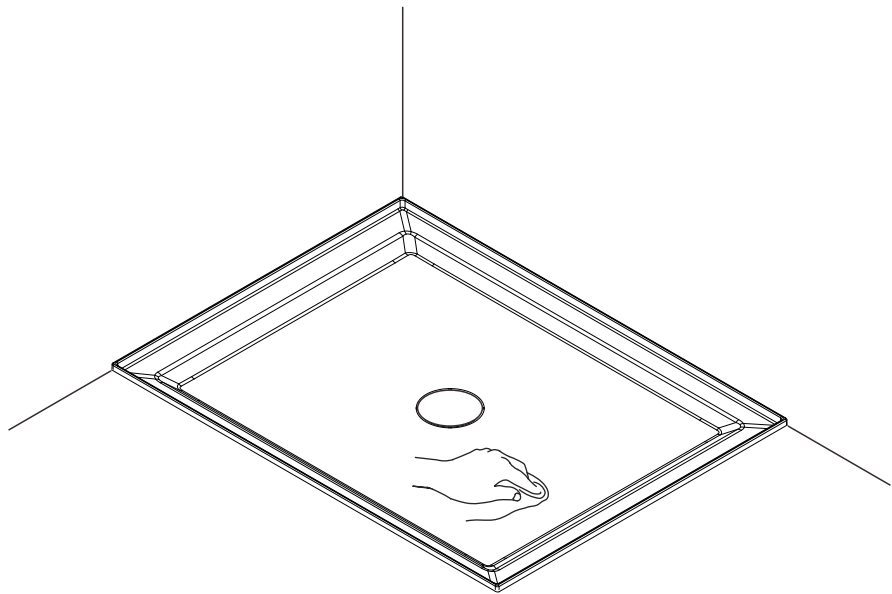
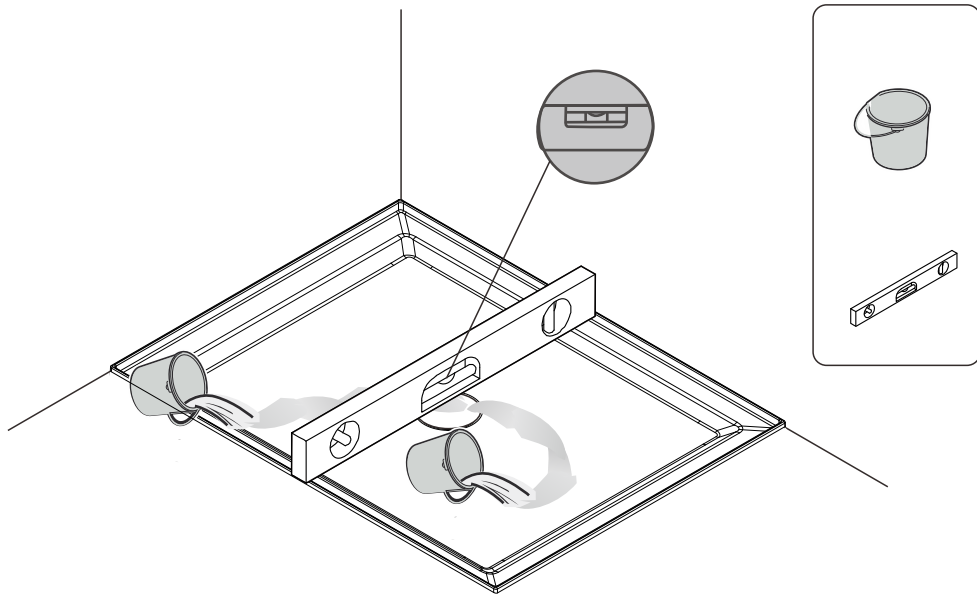


Not included



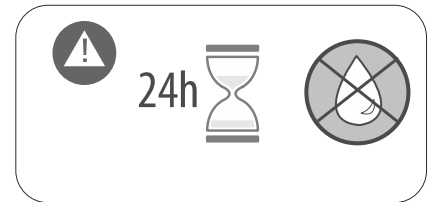
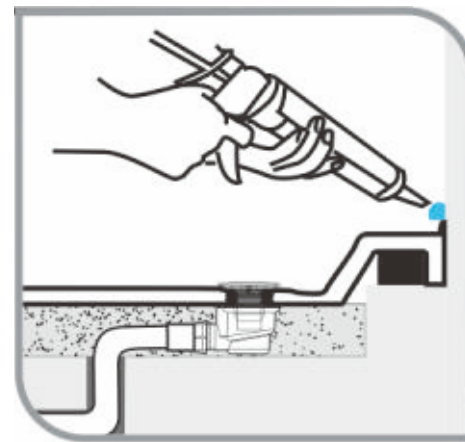
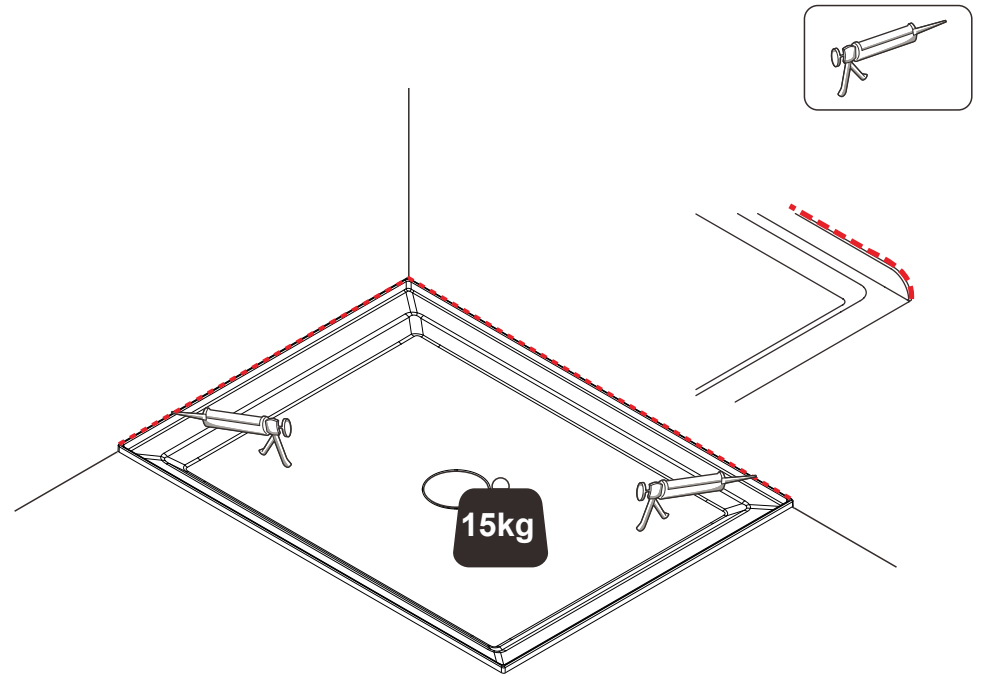
6

3



7

4



Using a caulking gun, apply sealant to all edges of the shower base and leave to dry for at least 24 hours.

8