

ULTRA PRESSURE BALANCE VALVE

▪ **Pressure Balance Valve and Rough Assembly UFP-PBV7**

STANDARD SPECIFICATIONS

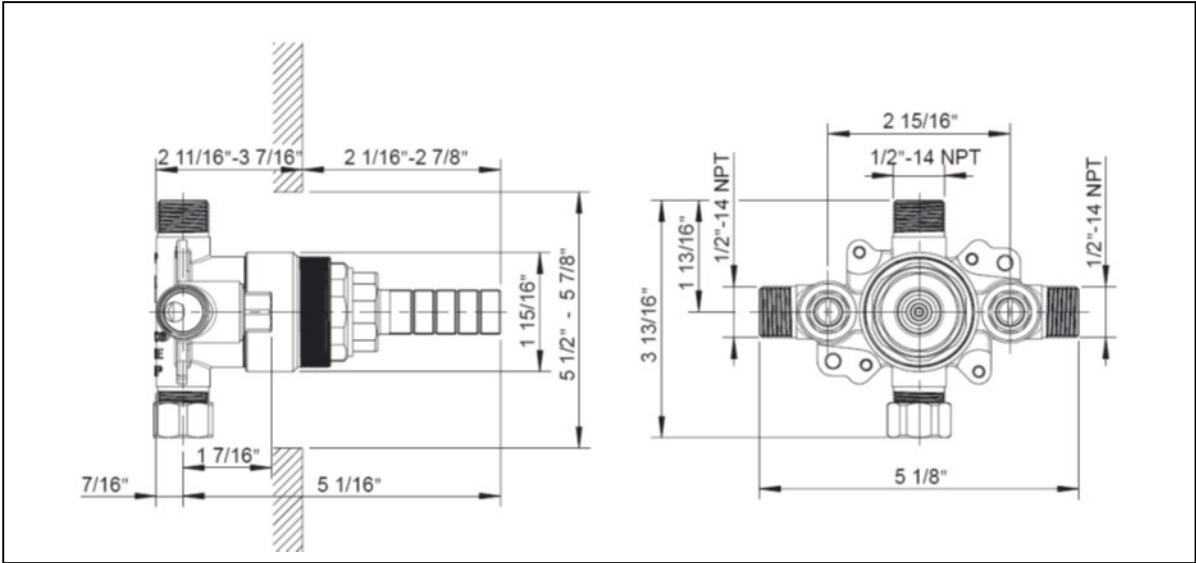
- Ceramic disc cartridge
- Forged brass valve body
- Built-in check valves
- Built-in stop valves
- 1/2" CC and IPS connections

WARRANTY

- Limited lifetime warranty on workmanship and materials to the original purchaser

COMPLIES WITH

- NSF 61-9
- ASME A112.18.1
- CSA B125.1
- cUPC



tel. 888-OK-ULTRA (658-5872) • fax. 949-252-9989 • <http://www.ultrafaucets.com>

This specification is provided for reference only. Ultra Faucets reserves the right to modify specifications and materials without notice or obligation.

- **Prime Collection**
- **Shower Only Trim**

STANDARD SPECIFICATIONS

- Requires pressure balance valve UFP-PBV7 or UFP-PBV5
- Metal handle and escutcheon
- Single Function Shower Head
- Flow Rate: 1.8gpm @80psi



FINISHES INCLUDE

- Chrome (UF78700-1)
- PVD Brushed Nickel (UF78703-1)
- Oil Rubbed Bronze (UF78705-1)

WARRANTY

- Limited lifetime warranty on workmanship and materials to the original purchaser

