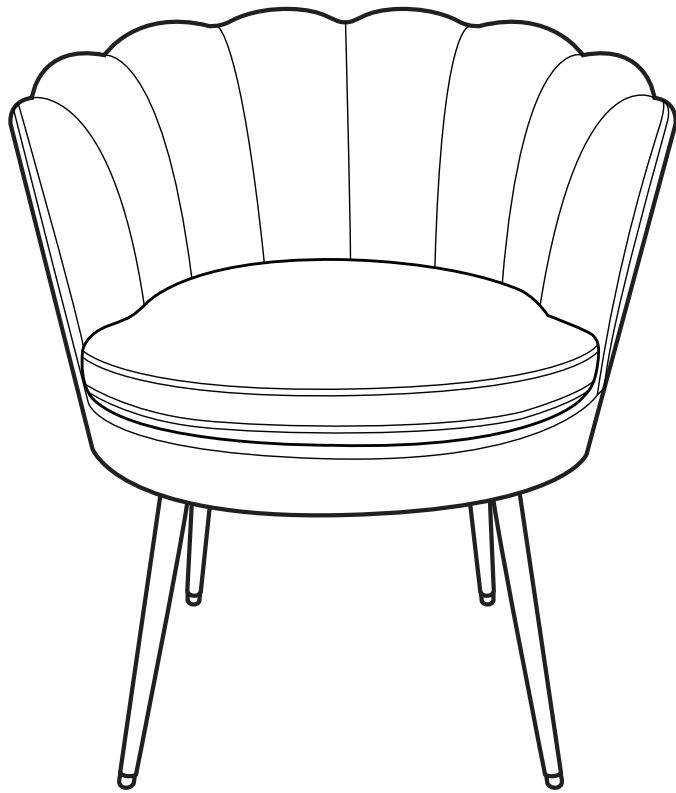


FLORA

Instruction manual





SAFETY AND CARE ADVICE

PLEASE READ THESE INSTRUCTIONS CAREFULLY AND KEEP FOR FUTURE

- Check you have all the components and tools listed on pages 2 and 3.
- Remove all fittings from the plastic bags and separate them into their groups.
- Keep children and animals away from the work area, small parts could choke if swallowed.
- Make sure you have enough space to layout the parts before starting.
- Do not stand or put weight on the product, this could cause damage.
- Assemble on a soft level surface to avoid damaging the unit or your floor (use opened out unit carton).
- We do not recommend the use of power drill/drivers for inserting screws, as this could damage the unit. Only use hand screwdrivers.



COMPONENTS

A



x2

B



x2

C

Note: The gasket used for regulating the foot balance.



x4

D



x12

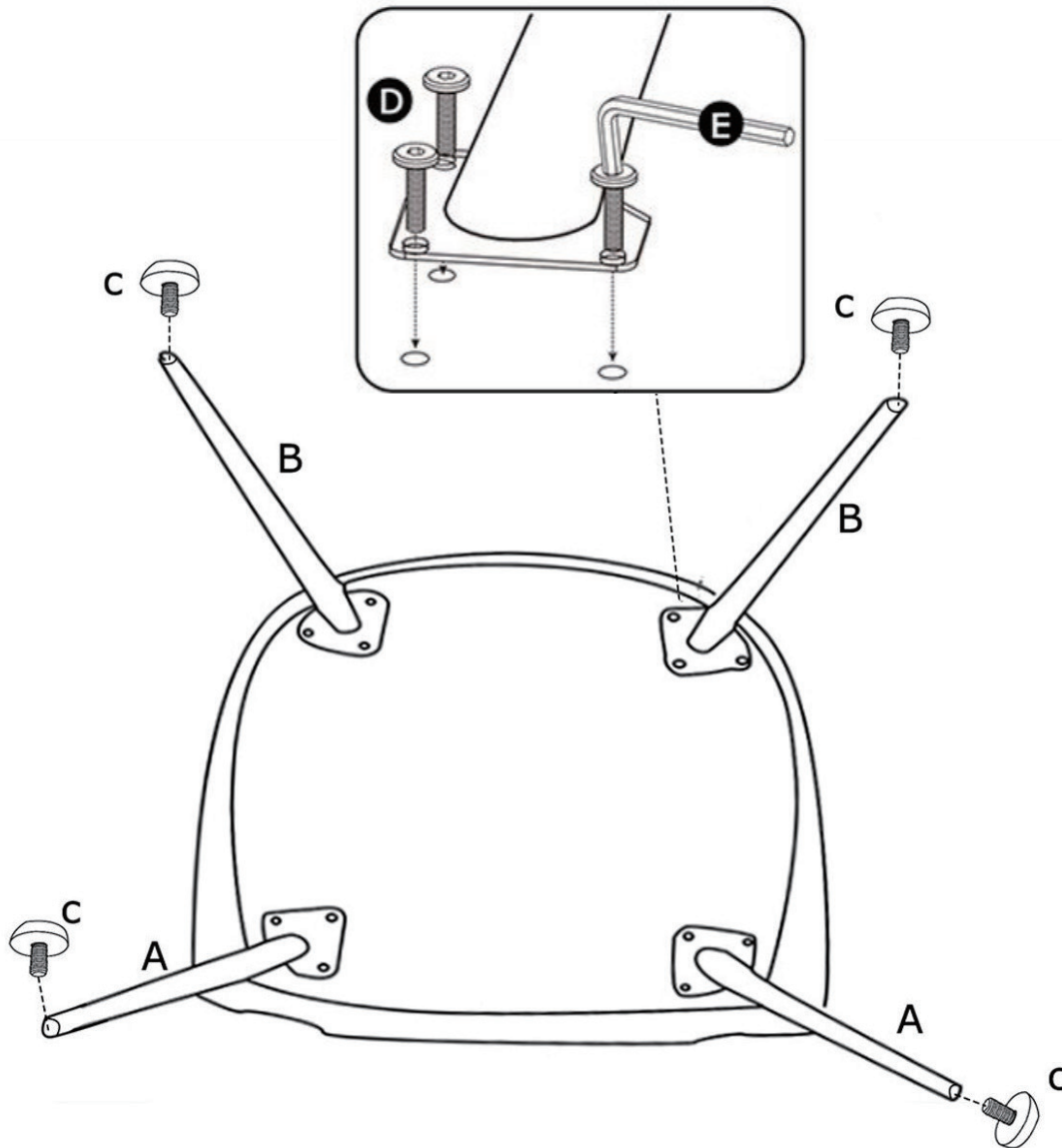
E



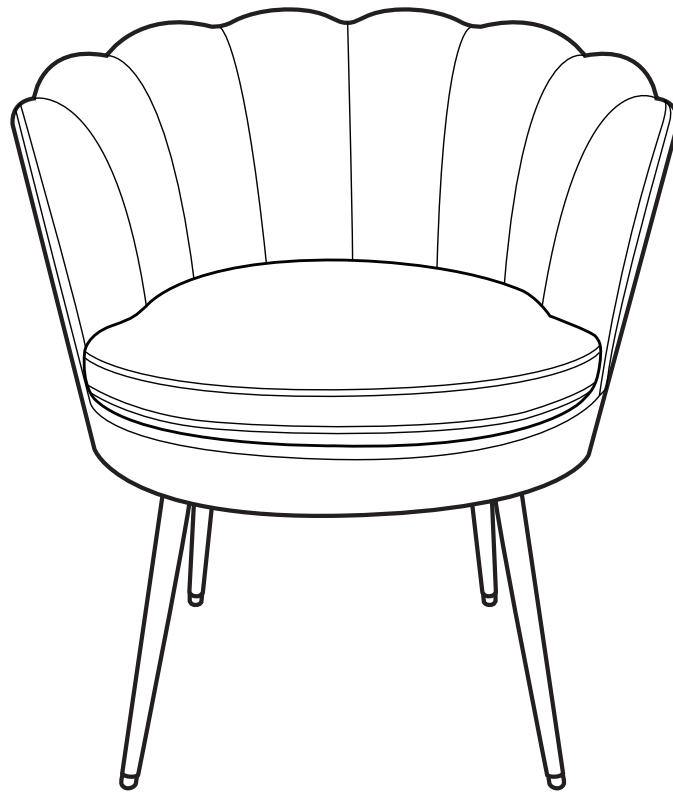
x1

ASSEMBLY INSTRUCTIONS

step1



ASSEMBLY INSTRUCTIONS



*Congratulations!
Now you have finished assembling the product.*

COPYRIGHT

- All material in this instruction manual is copyrighted by GENESIS Ltd.
- Any unauthorised use may violate worldwide copyright, trademark and other laws.

Thank you for purchasing!

