

# INSTALLATION INSTRUCTIONS

## FREESTANDING TUB

### 2764 SERIES

HIGH GLOSS ACRYLIC SURFACE

*American Standard*

Thank you for selecting American Standard...the benchmark of fine quality for over 100 years. To ensure that your installation proceeds smoothly--please read these instructions carefully before you begin.

#### BEFORE YOU BEGIN....

Local building codes vary by location. Observe all local plumbing and building codes.

Your new bath is shipped to you after careful inspection.

To ensure maximum performance and pleasure from this product, please follow the instructions and cautions.

**NOTE:** Take extra care in handling surfaces of the bath. Use only non-abrasive cloths to avoid scratching.

#### TOOLS & MATERIALS REQUIRED

##### TOOLS:

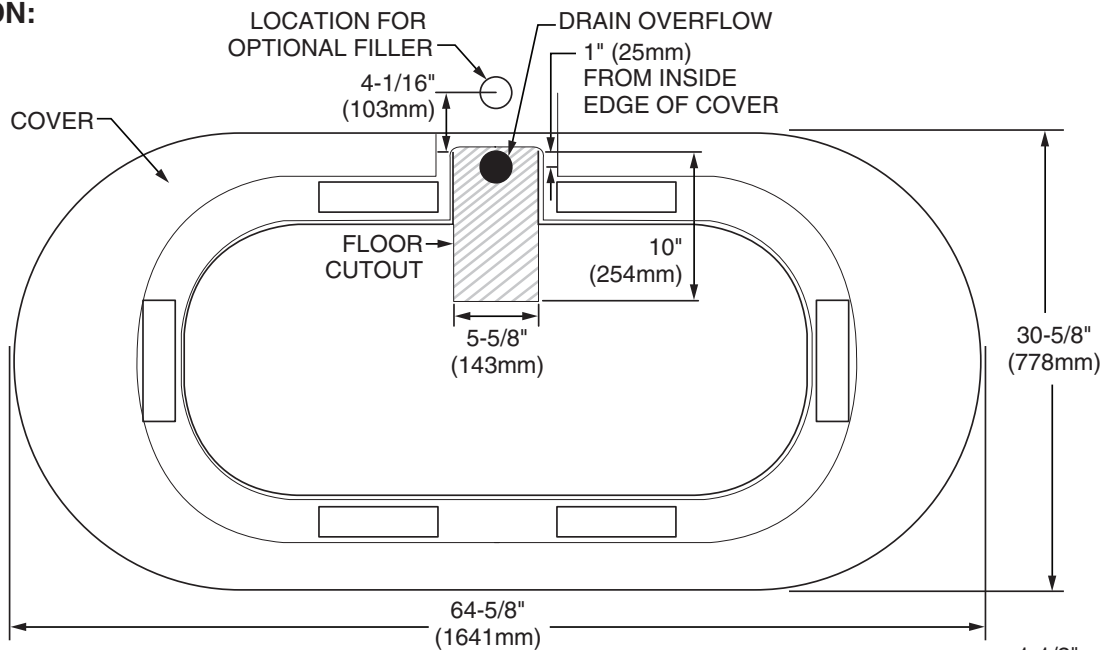
- Level
- Square
- Tape Measure
- Pipe Wrench
- Slip Joint Pliers
- Screw Driver
- Standard Woodworking Tools

- Personal Safety Equipment
- Caulking Gun
- Adjustable Wrench
- 3/32" Allen Wrench
- Hacksaw
- Sandpaper

##### MATERIALS:

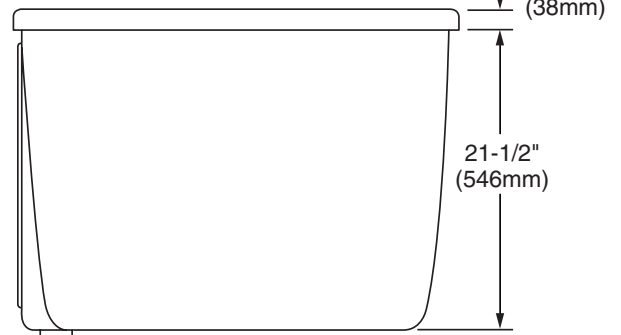
- Screws
- Silicone Caulking

#### ROUGH-IN INFORMATION: FREESTANDING TUB



#### GENERAL SPECIFICATIONS FOR 2764 SERIES TUBS

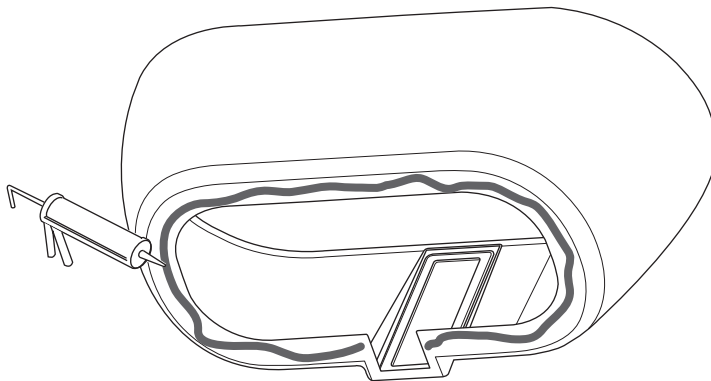
INSTALLED SIZE	66 x 32 x 23 In. (TUB ONLY)
	(1 676 x 813 x 584 mm)
WEIGHT	120 Lbs. (54 Kg)
WEIGHT w/WATER	600 Lbs. (272 Kg)
GAL TO OVERFLOW	58 Gal. (220 L)
BATHING WELL AT SUMP	47.25 x 20.5 In. (1200 x 521mm)
BATHING WELL AT RIM	56.25 x 23.25 In. (1429 x 591mm)
WATER DEPTH TO OVERFLOW	14.625 In. (371mm)
FLOOR LOADING	79 Lbs./Sq.Ft. (386 Kgs/Sq.m)
	(PROJECTED AREA)



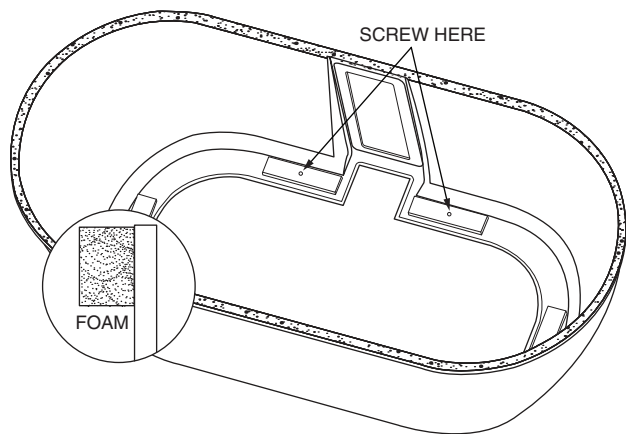
SAVE FOR FUTURE USE

# 1 INSTALLATION INSTRUCTIONS:

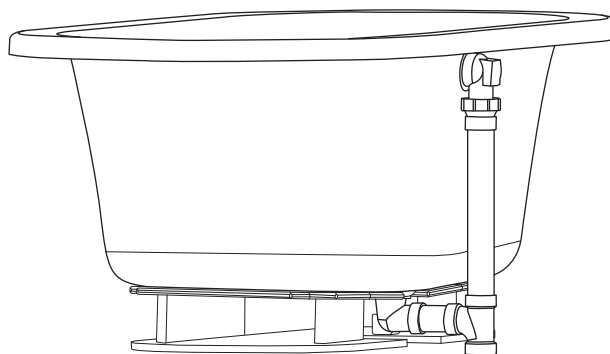
- A. Set up the cover in the desired location. Locate the drain outlet location and supply line locations for the faucet (see faucet instructions).
- B. Recommend cutting floor cutout - 10" x 5-5/8" (254mm x 143mm) use cover as guide, as shown in rough-in detail.
- C. Mark lines on the floor for the cover location. Use these to relocate cover.
- D. Turn the cover over and apply silicone caulking to the bottom of the cover as shown.



- 2 A. Set cover down in place and secure to the floor with 6 screws (not provided) through wood strip locations.
- B. Apply foam tape to outside top edge, even with the top edge. Trim away excess gasket.



- 3 A. Assemble drain to tub per instructions below.



## DRAIN Step 1

### DRAIN INSTALLATION INSTRUCTIONS:

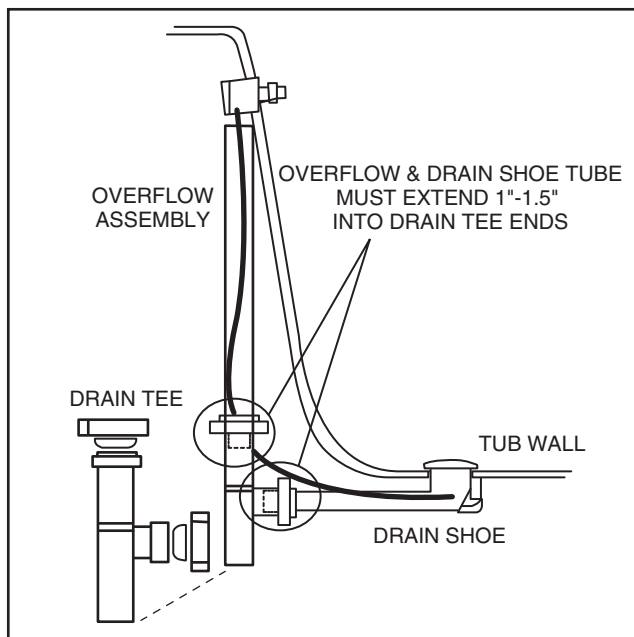
Slide the drain nuts and poly-vinyl washers onto the overflow and drain tubes.

Assemble the overflow and drain tubes loosely to the drain tee.

**Note:** The beveled edge of the washer and threaded side of the nut must face the drain tee prior to assembly.

Dry mount the Overflow Assembly and Drain Shoe onto tub as shown.

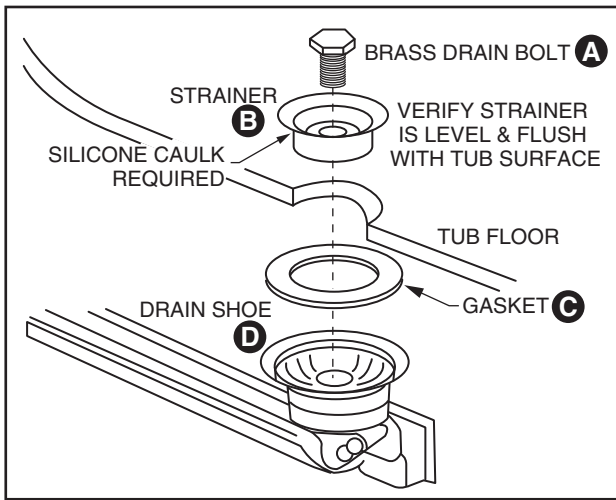
**Note:** DO NOT detach Drain Shoe Cable for any reason. Cut Overflow Assembly Tube and Drain Shoe Tube ends as necessary to achieve fit. Remove rough edges with sandpaper prior to assembly.



## DRAIN Step 2

Install Drain Shoe (D) using supplied brass Drain Bolt (A), Strainer (B) and Gasket (C) as illustrated. Tighten Drain Bolt (A) to secure. Do not overtighten or Drain Shoe assembly may be damaged.

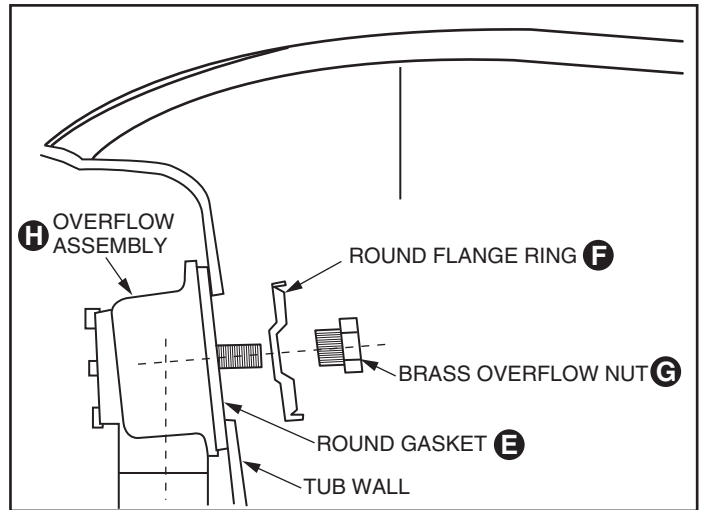
**Note:** The top tub lip **MUST** be level. Verify top and bottom tub floor sealing surfaces are clean, flat and smooth prior to assembly.



## DRAIN Step 3

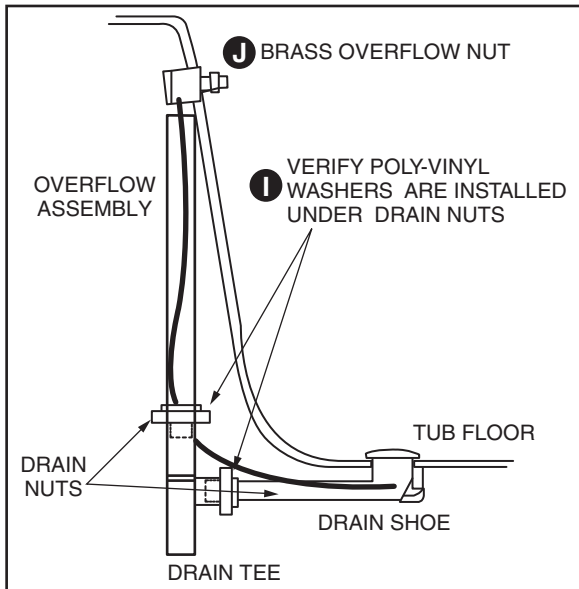
Install Overflow Assembly (H) using supplied Round Gasket (E), Flange Ring (F) and Brass Overflow Nut (G). Finger tighten Brass Overflow Nut (G).

**Note:** Brass Overflow Nut (G) to be tightened further upon completion of Step 4.



## DRAIN Step 4

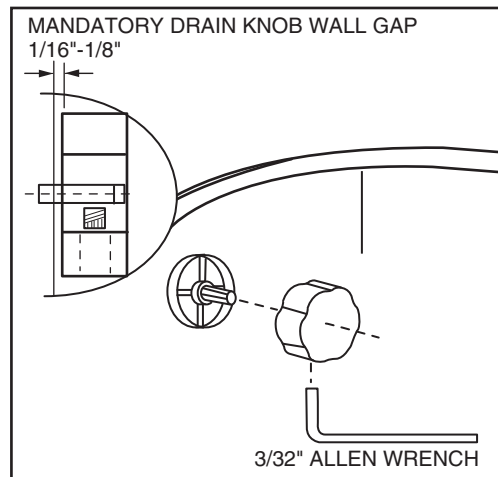
Verify Poly-Vinyl Washers (I) are installed under Drain Nuts (beveled side inward). Tighten Drain Nuts to secure Drain Tee. Finally, tighten Brass Overflow Nut (J) with an adjustable wrench to secure Overflow. Do Not Overtighten!



## DRAIN Step 5

Install Drain Knob over Overflow Shaft (set screw against flat surface). Then adjust Knob for a 1/16"-1/8" wall gap as illustrated. Finally, tighten set screw to secure.

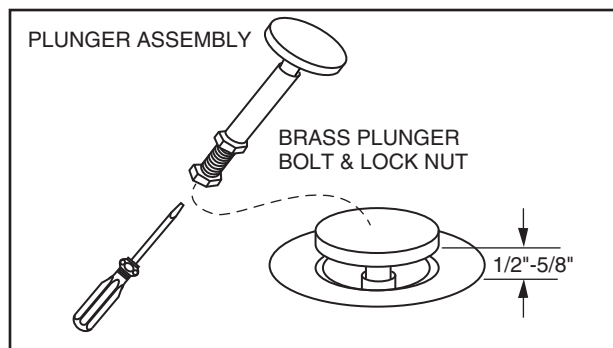
**CAUTION:** Drain Knob wall gap is mandatory to allow water to escape, preventing overflows.



## DRAIN Step 6

Adjust brass Plunger Bolt and Lock Nut for a 1/2"-5/8" minimum opening, then tighten Lock Nut against Plumber Shaft to secure height adjustment.

**CAUTION:** Plunger Lock Nut must be tightened against plunger shaft prior to tub use.

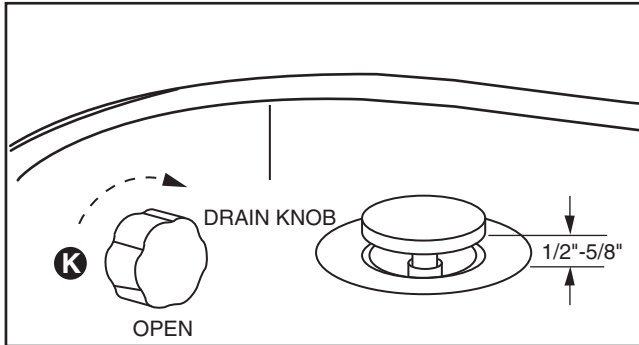


# DRAIN Step 7

TEST DRAIN OPERATION BY TURNING OVERFLOW HANDLE AS FOLLOWS:

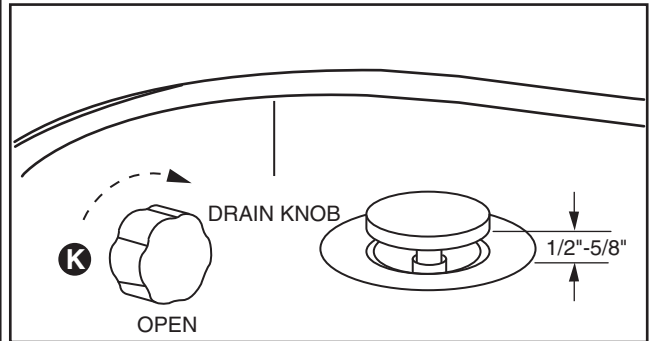
## TO OPEN DRAIN:

Turn knob 1/8 turn clockwise (K).



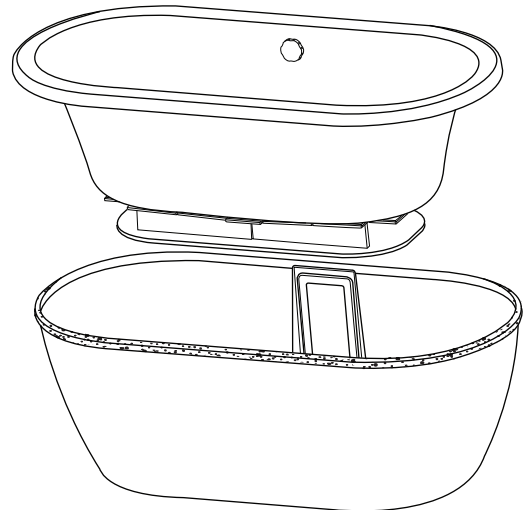
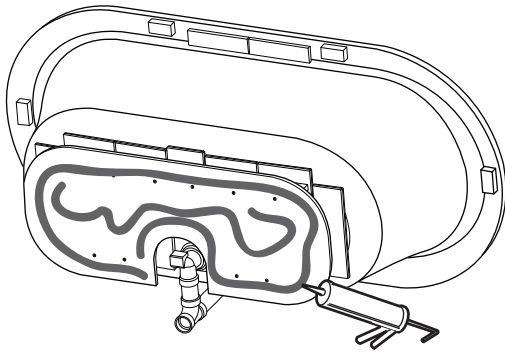
## TO CLOSE DRAIN:

Turn knob 1/8 turn counterclockwise (L).



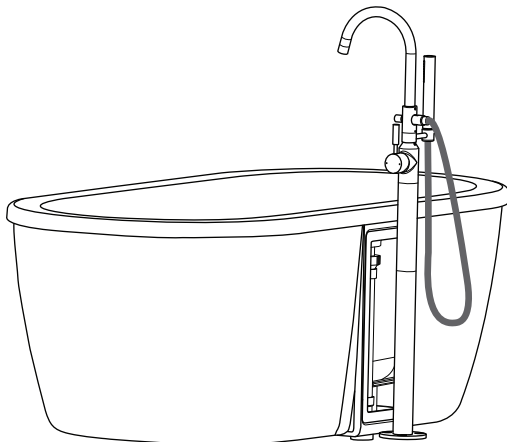
**4**

- A. Apply silicone caulk to the bottom of tub as shown.
- B. Place tub into cover. Make sure to evenly center the tub onto the cover. The gasket will be compressed between the tub and cover.



**5**

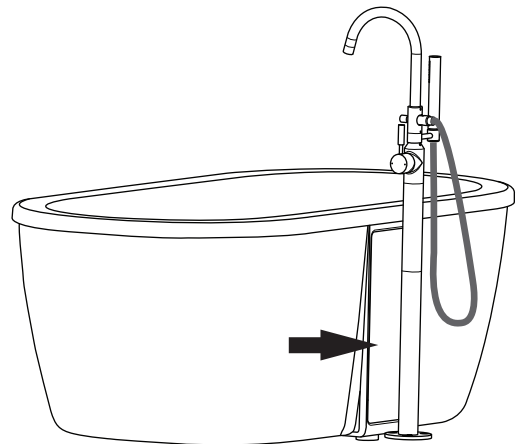
- A. Tighten drain connections through access panel and install faucet per instructions included.



TUB SHOWN WITH OPTIONAL FREESTANDING TUB FILLER INSTALLED

**6**

- A. Push drain access panel in place.



TUB SHOWN WITH OPTIONAL FREESTANDING TUB FILLER INSTALLED

## POST INSTALLATION CLEAN-UP

Remove all construction debris from bath. Do not use wire brushes or any other metal implement on bath surface.

Post installation clean-up generally can be completed using warm water and liquid dishwashing detergent. Stubborn dirt or stains may be removed using granular Spic and Span® mixed with water.

Painter's naphtha can be used to remove excess adhesives and/or wet oil-base paint.

## FEATURES of YOUR NEW AMERICAN STANDARD BATHTUB

Your new bathtub has been molded in the newest plumbing fixture material available today. The unit has a tough durable finishes that is simple and easy to care for. The colors have been formulated to match other American-Standard fixtures and enhance your choice of bathroom decorations. The high gloss surface is resistant to impact and chemicals and will retain its lasting luster with proper care and maintenance.

## AFTERCARE and CLEANING

- Always fill the tub with temperate water. Excessively hot water may cause surface damage.
- Remove bath mat after use and hang to dry. Allowing bath mat to dry in the tub may cause surface damage.
- Clean after use with a mild liquid household detergent cleaner. Abrasive cleaners such as Lestoil®, Lysol® Disinfectant (spray or concentrate), or Lysol® Basin, Tub and Tile Cleaner, Windex®, Mr. Clean®, Dow® Disinfectant Bathroom Cleaner, or cleaning products in aerosol cans should not be used.

## HARSH CHEMICALS SHOULD NEVER BE USED ON ACRYLIC SURFACES.

- Do not use wire brushes, knives or sharp objects to remove stains, cigarette tar deposits, or other surface blemishes.
- Abrasive cleaners or powders must not be used, since they will dull the surface. If the glossy surface loses its sheen, dulled areas can be restored by rubbing with a white polishing compound and waxing with a "liquid wax."
- **Do not wax areas where you walk or stand.**
- Do not allow nail polish remover, acetone, dry cleaning fluid, paint remover or other solvents to come into contact with the surface.
- Clean the surrounding surface immediately after using caustic drain cleaners.
- Burning cigarettes will damage the surface.
- Should damage to the fixture occur, repairs can be made. Your distributor or builder can provide details.

SPIC AND SPAN® is a registered trademark of The Spic And Span Company  
LESTOIL® is a registered trademark of the Clorox Company  
LYSOL® is a registered trademark of Reckitt Benckiser  
WINDEX® is a registered trademark of S.C. Johnson & Son, Inc  
MR. CLEAN® is a registered trademark of Agile Pursuits Franchising, Inc.  
DOW® is a registered trademark of Dow Chemical Company

## AS America, Inc. Limited Lifetime Warranty for Tubs and Shower Bases

AS America, Inc. ("American Standard") warrants to the original consumer purchaser that it will, at its option, repair or replace this tub/shower base – American Standard, in its sole judgment, to be defective under normal residential use and maintenance so long as it is owned by the original consumer purchaser.

To activate this limited warranty, the purchaser must go online to our website at [www.americanstandard-us.com/warranty](http://www.americanstandard-us.com/warranty) to register their tub/shower base within thirty (30) days of purchase.

In no event will American Standard be liable for the cost of repair or replacement of any installation materials including but not limited to tile, marble, etc.

This limited warranty does not apply to Commercial Installations. The warranty for Commercial Installations is three (3) years.

This limited warranty DOES NOT COVER the following:

1. Defect or damages arising from shipping, installation, alterations, accidents, abuse, misuse, lack of proper maintenance and cleaning as directed in the Installation Instruction Manual and use of other than genuine American Standard replacement parts, in all cases whether caused by a plumbing contractor, service company, the owner or any other person.
2. Deterioration through normal wear and tear and the expense of normal maintenance.
3. Commercial application.
4. Options and accessories. American Standard's limited warranty on these items is **one year for parts only and excludes labor**. This one year limited warranty covers accessories manufactured by American Standard (e.g. aprons, drains, grab bars, heaters, trim kits) against defects of material or workmanship. Warranty coverage begins on the date the accessory was originally purchased by the owner.
5. Shipping cost for returning products for repairs or replacement under the limited warranty and labor or other cost incurred in connection with product removal or installation under this limited warranty.
6. ANY LIABILITY FOR CONSEQUENTIAL OR INCIDENTAL DAMAGES, ALL OF WHICH ARE HEREBY EXPRESSLY DISCLAIMED, OR THE EXTENSION BEYOND THE DURATION OF THIS LIMITED WARRANTY OF ANY IMPLIED WARRANTIES, INCLUDING THOSE OF MERCHANTABILITY OR FITNESS FOR AN INTENDED PURPOSE. (Some jurisdictions do not allow limitations on how long an implied warranty lasts, or the exclusion or limitation of incidental or consequential damages, so these limitations and exclusions may not apply to you.)
7. Responsibility for compliance with local code requirements. (Since local code requirements vary greatly, distributors, retailers, dealers, installation contractors and users of plumbing products should determine whether there are any code restrictions on the installation or use of a specific product.)

This limited warranty gives you specific legal rights. You may have other statutory rights that vary from state to state or from province to province, in which case this warranty does not affect such statutory rights.

For service under this warranty, it is suggested that a claim be made through the contractor or dealer from or through whom the product was purchased, or that a service request (including a description of the product model and of the defect) be sent to the following address:

### **In the United States:**

American Standard Brands  
P.O. Box 6820  
Piscataway, New Jersey 08855  
Attention: Director of Customer Care

For residents of the United States, warranty information may also be obtained by calling the following toll free number: (800) 442-1902

[www.americanstandard.com](http://www.americanstandard.com)

### **In Canada:**

AS Canada, ULC  
5900 Avebury Rd.  
Mississauga, Ontario  
Canada L5R 3M3

Toll Free: (800) 387-0369

[www.americanstandard.ca](http://www.americanstandard.ca)

### **In Mexico:**

American Standard B&K Mexico  
S. de R.L. de C.V.  
Via Morelos #330  
Col. Santa Clara  
Ecatepec 55540 Edo. Mexico

Toll Free: 01-800-839-1200

[www.americanstandard.com.mx](http://www.americanstandard.com.mx)