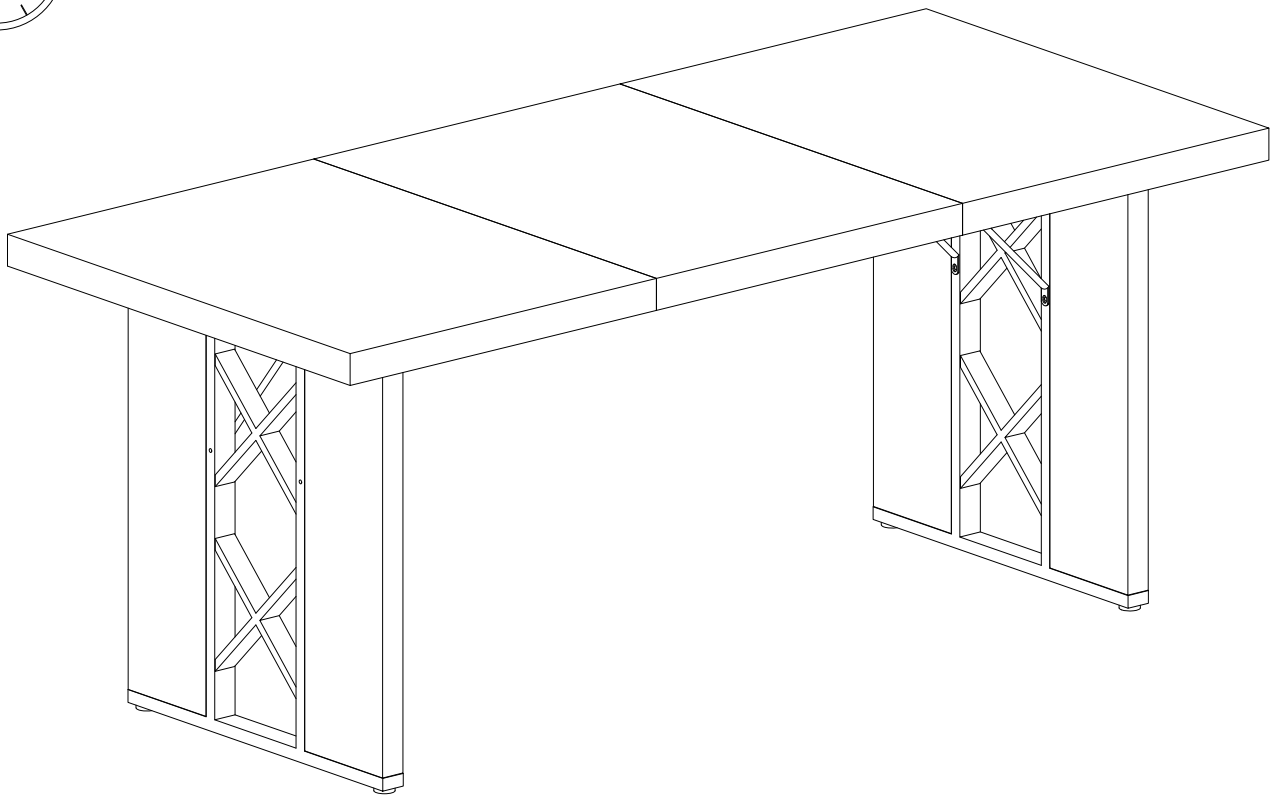
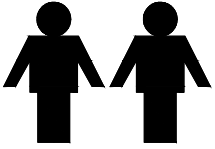
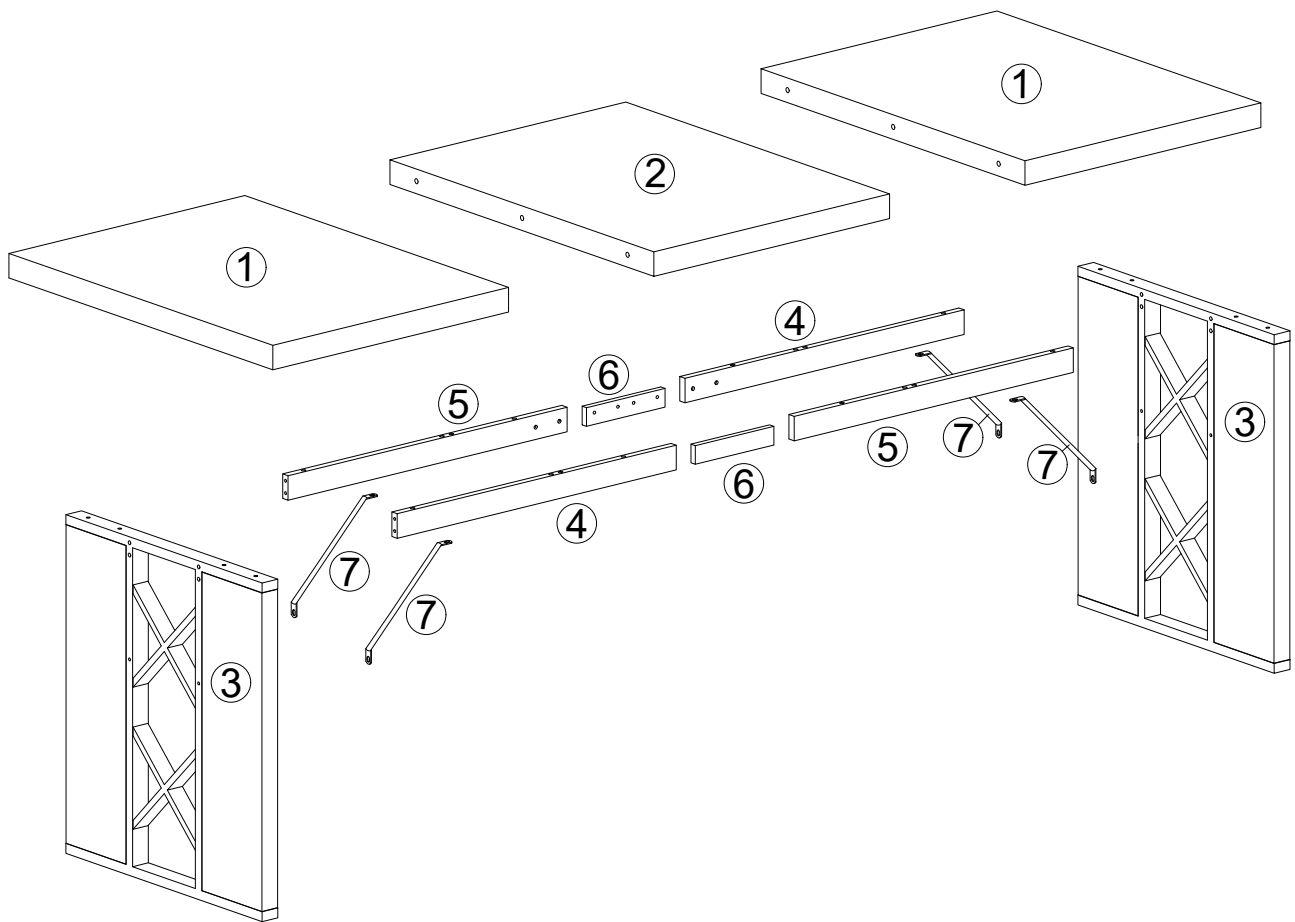
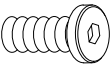
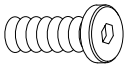
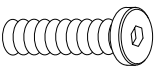
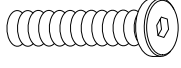
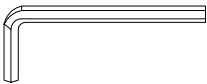

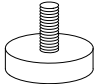



ASSEMBLY INSTRUCTION

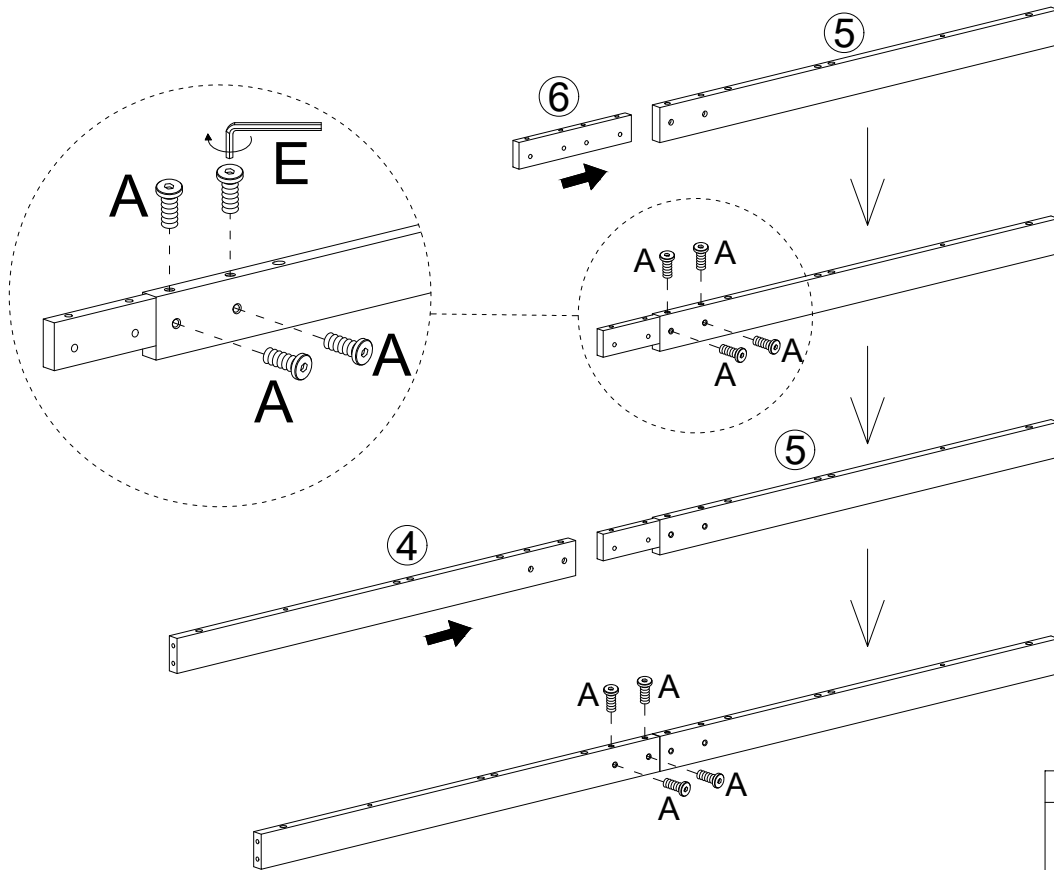
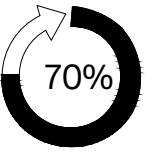


Notes: Don't fully tighten screws until all parts are confirmed in place to avoid misalignment.



A	X24	B	X8	C	X8	D	X16
							
M6X12mm		M6X15mm		M6X60mm		M6X65mm	
E	X1	F	X6	G	X4	H	X4
							
M4X55mm		Ø10X50mm		M6XØ30mm		40X20mm	

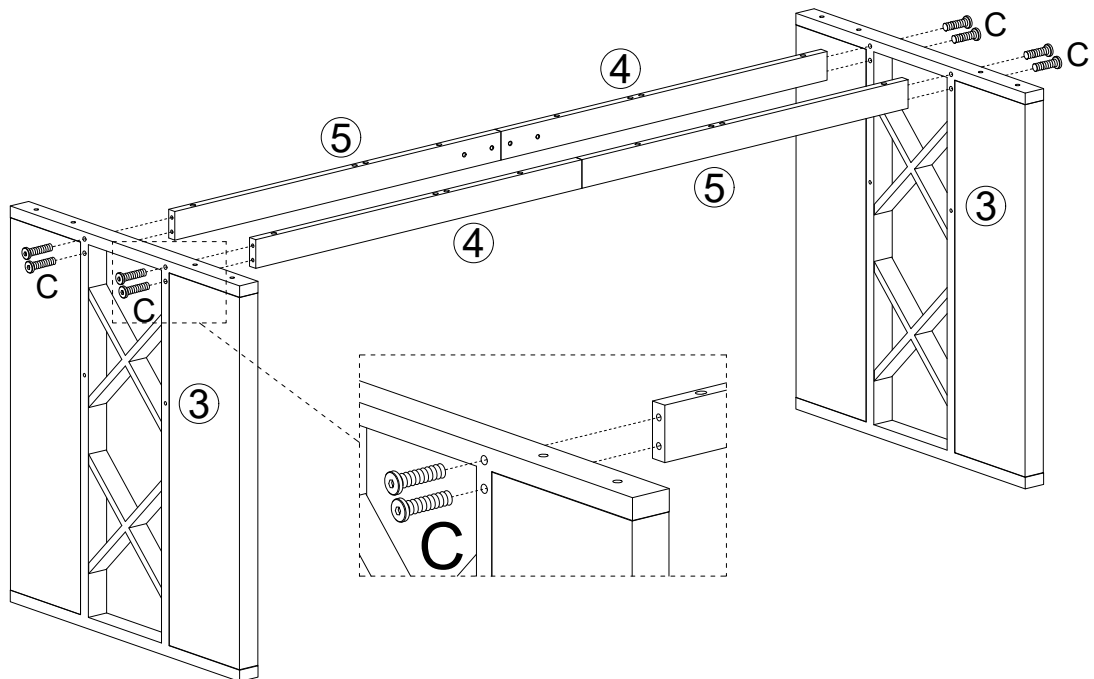
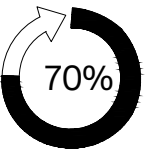
STEP 1



X2

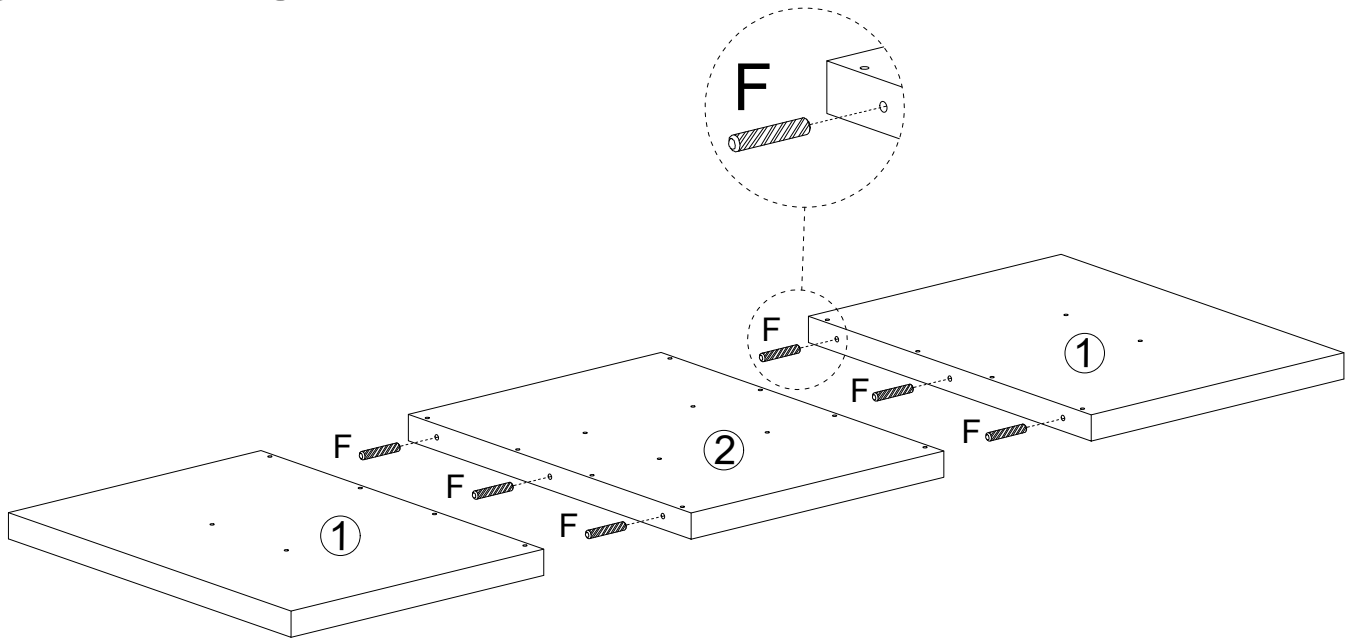
A	X16	E	X1
M6X12mm		M4X55mm	


STEP 2



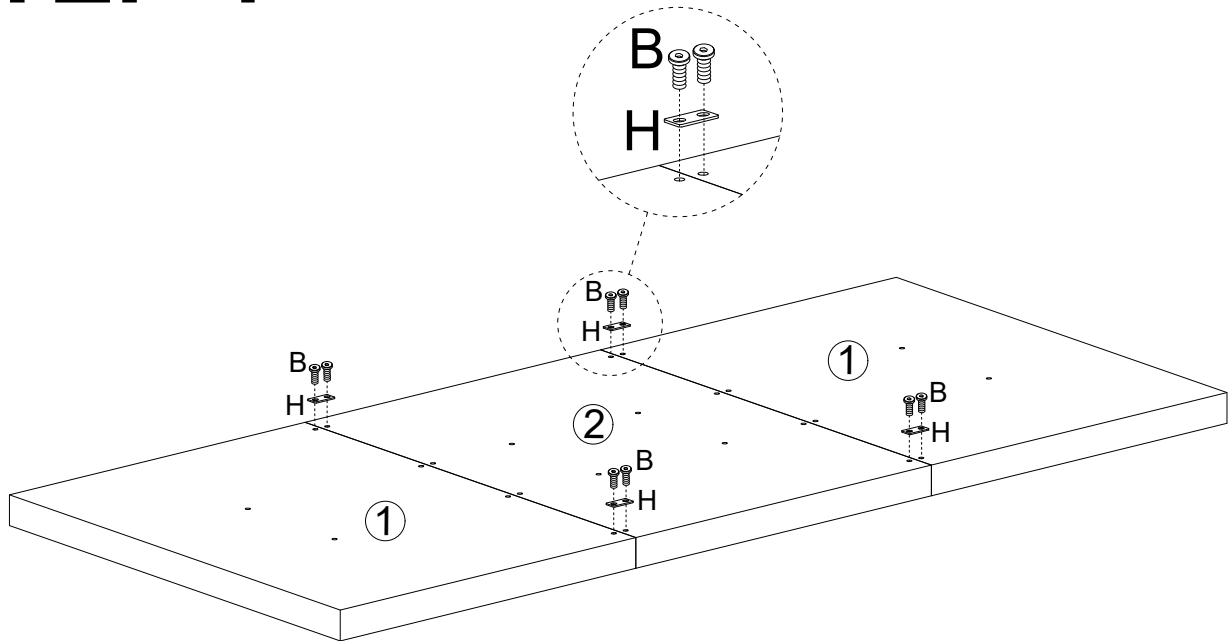
C	X8
M6X60mm	



STEP 3



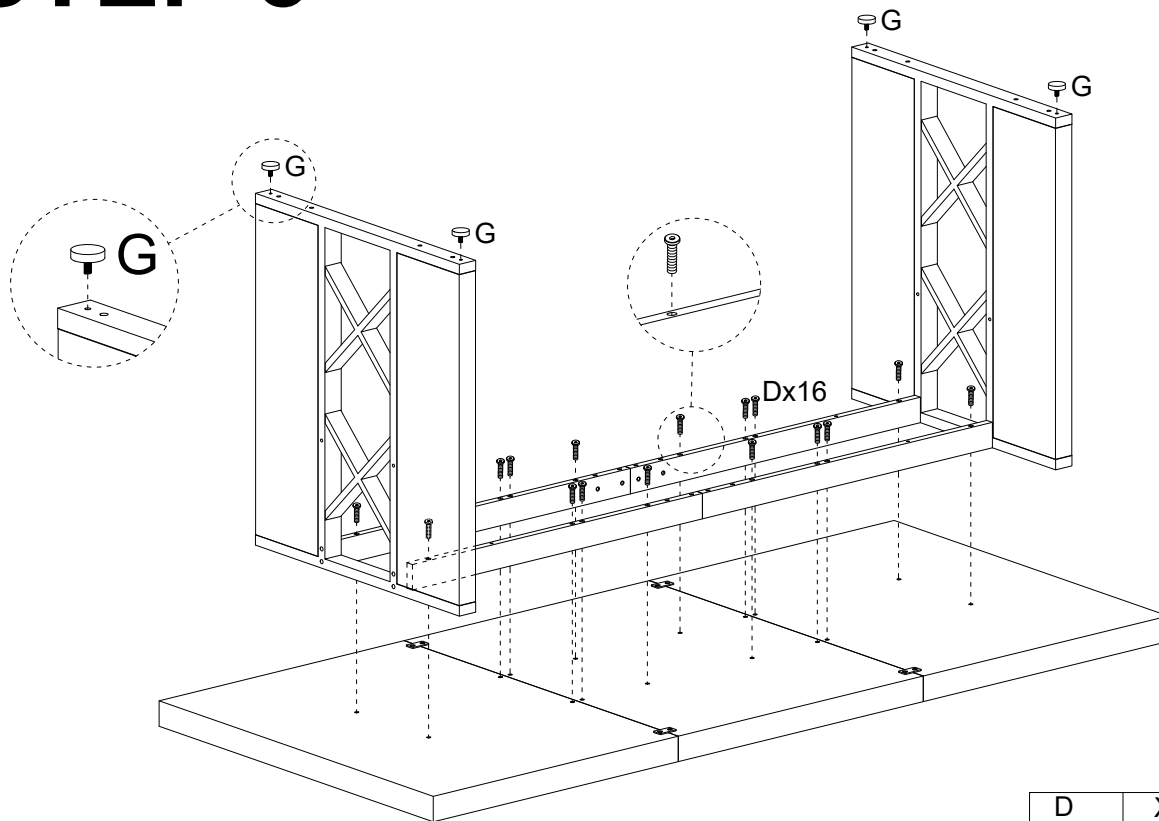
F	X6
	
Ø10X50mm	

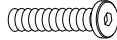
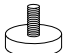
STEP 4



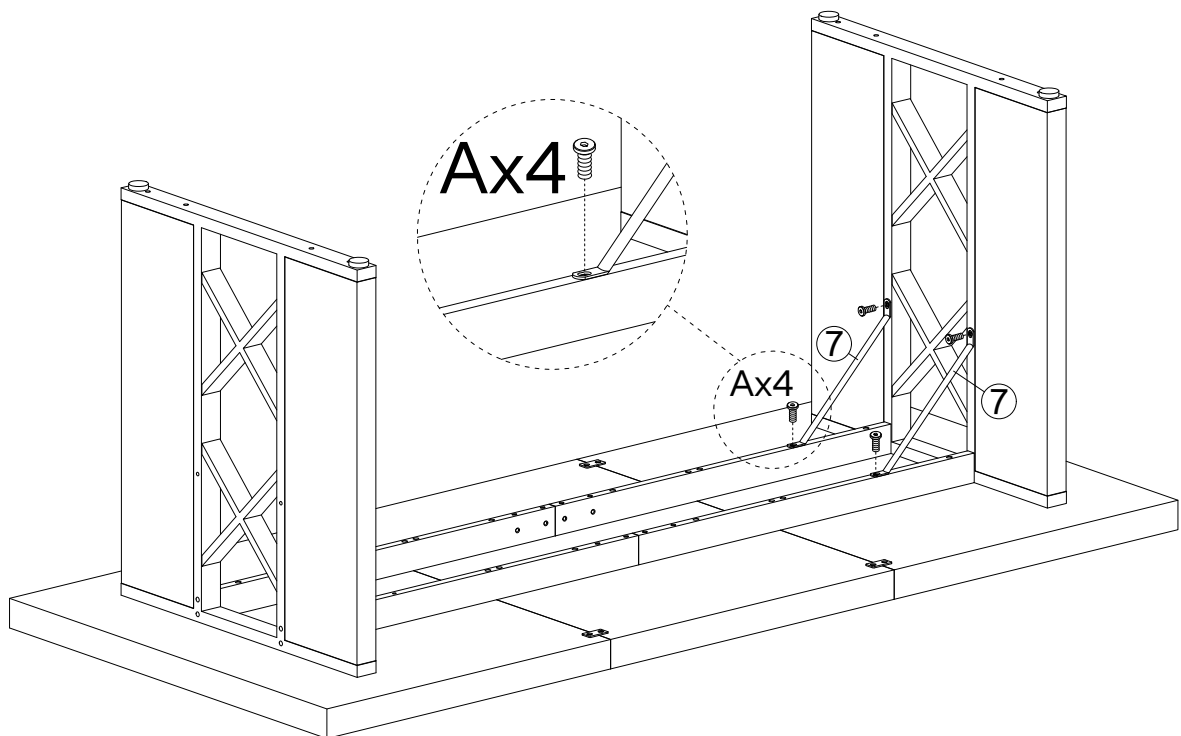
B	X8	H	X4
			
M6X15mm		40X20mm	


STEP 5



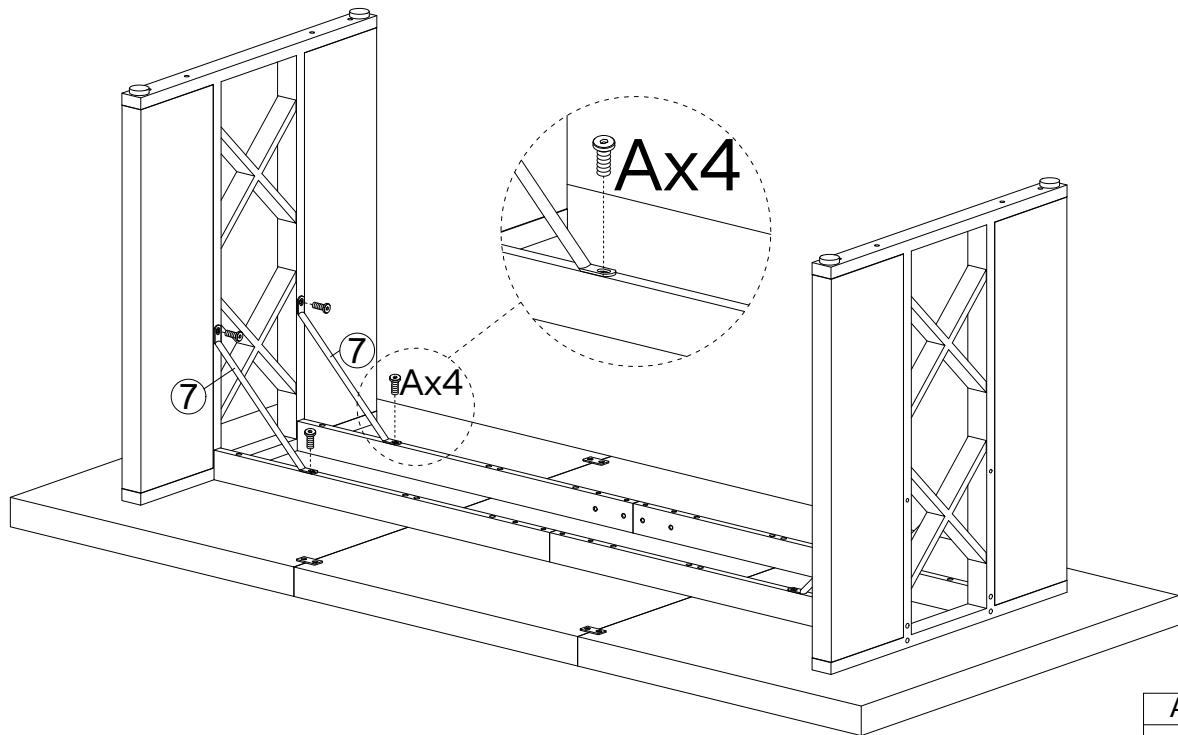
D	X16	G	X4
			
M6X65mm		M6XØ30mm	

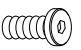
STEP 6



A	X4
	
M6X12mm	

STEP 7



A	X4
	
M6X12mm	

STEP 8

