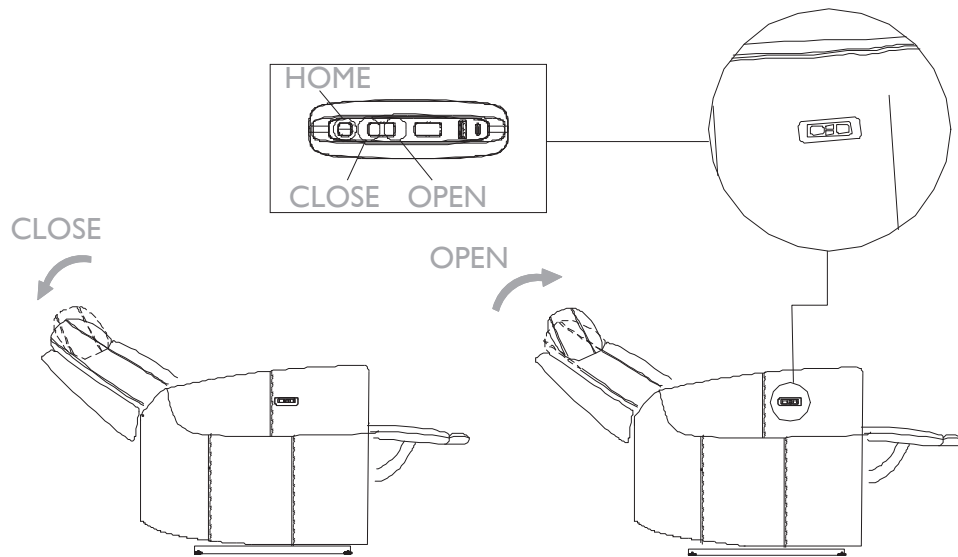
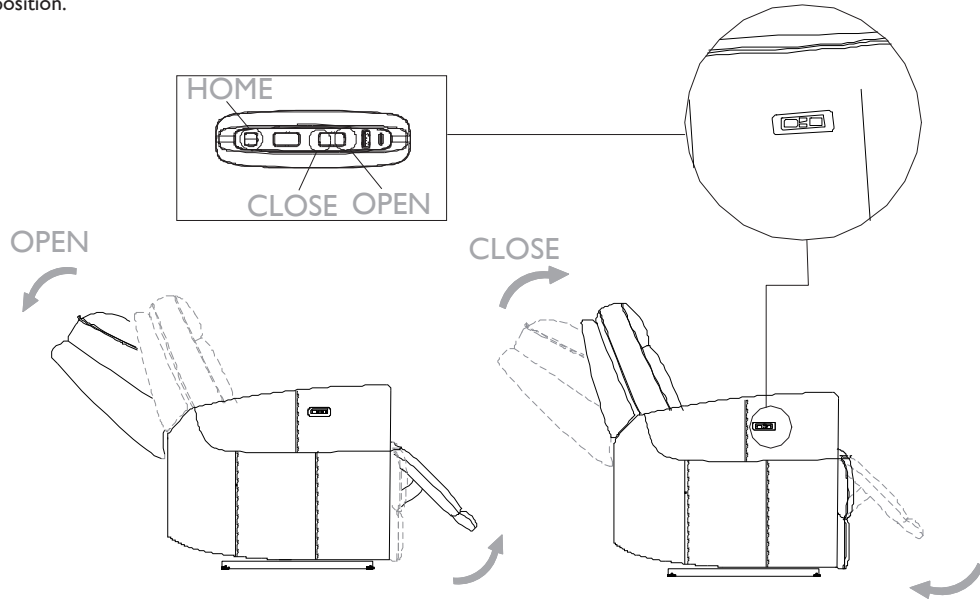
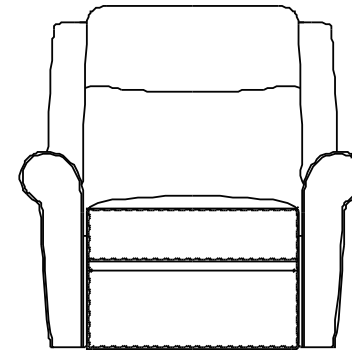


# OPERATING INSTRUCTION

The "HOME" button allows you to go back to zero position.



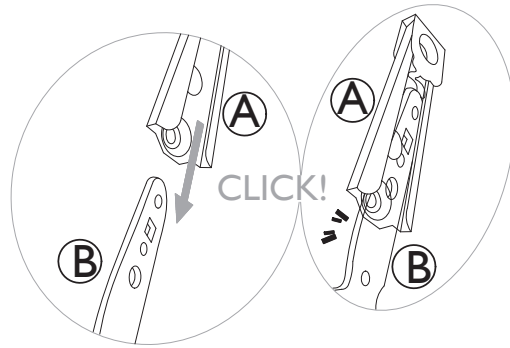
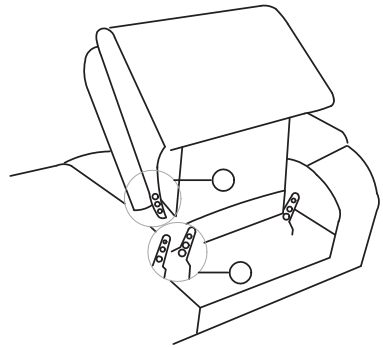
# ASSEMBLY INSTRUCTION



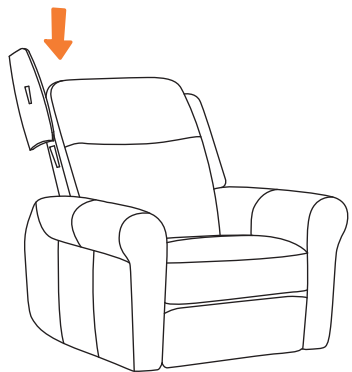
- Before you begin the assembly of your new furniture, please insure that all the parts are present.
- Follow instructions closely as deviation may void your warranty and create a potential safety risk.
- It is recommended that assembly is done on a soft surface to avoid damage.
- If you encounter a problem, or need assistance, please call 844-698-4670 or e-mail [HELP@SIMONLI.com](mailto:HELP@SIMONLI.com).

  
**SIMON LI**  
FURNITURE

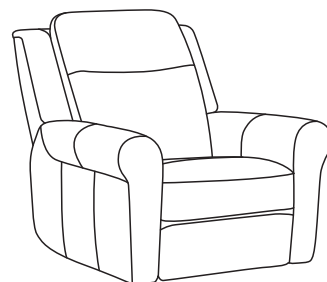
# ASSEMBLY INSTRUCTION



1. Attach seat back to seat cushion by aligning metal groove on seat back to bracket on seat cushion
2. Note: Press seat back in until you hear a "click" to make sure it is locked into position.



1. Attach seat back to seat cushion by aligning metal groove on seat back to bracket on seat cushion
2. Note: Press seat back in until you hear a "click" to make sure it is locked into position.
3. Insert the backrest ear



# OPERATING INSTRUCTION

