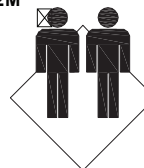


USER'S MANUAL

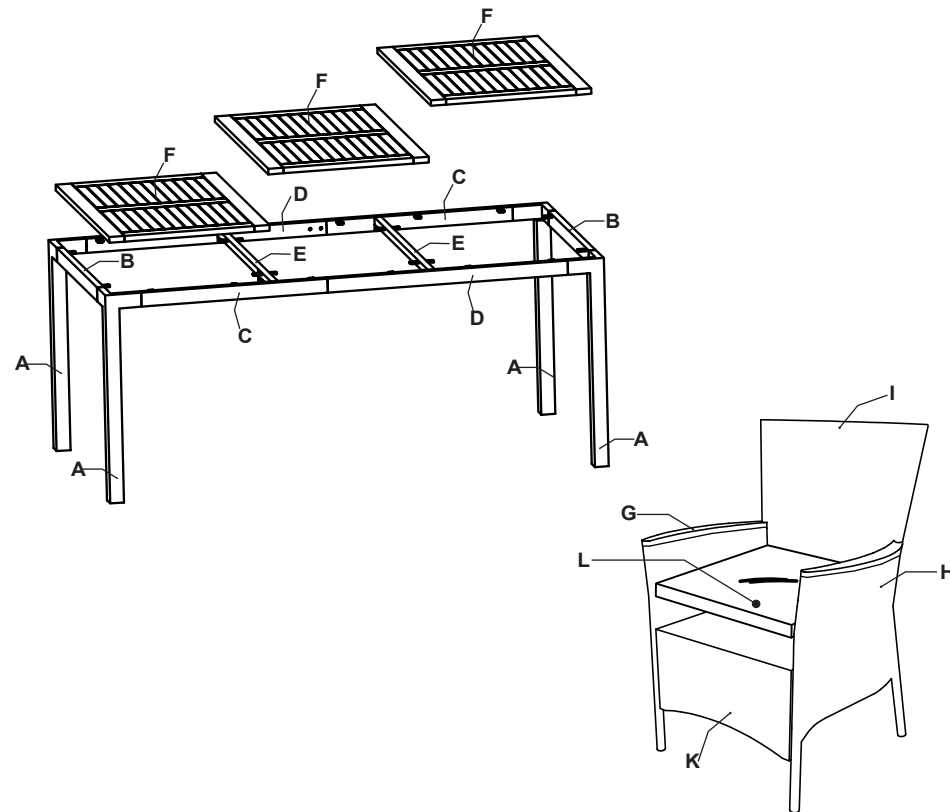
9-Piece Acacia Wood and Wicker Dining Set with Cushions

THIS INSTRUCTION BOOKLET CONTAINS **IMPORTANT** SAFETY INFORMATION. PLEASE READ AND KEEP FOR FUTURE REFERENCE.

FLOOR AREA
2MX2M

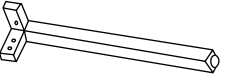


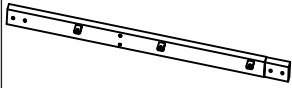

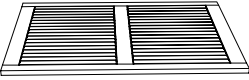
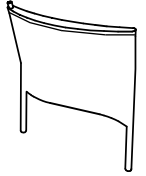
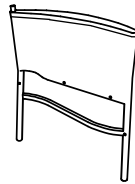
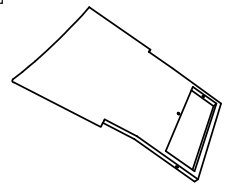
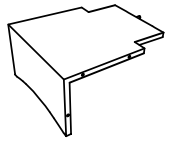



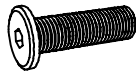




ASSEMBLED BY 2 ADULTS



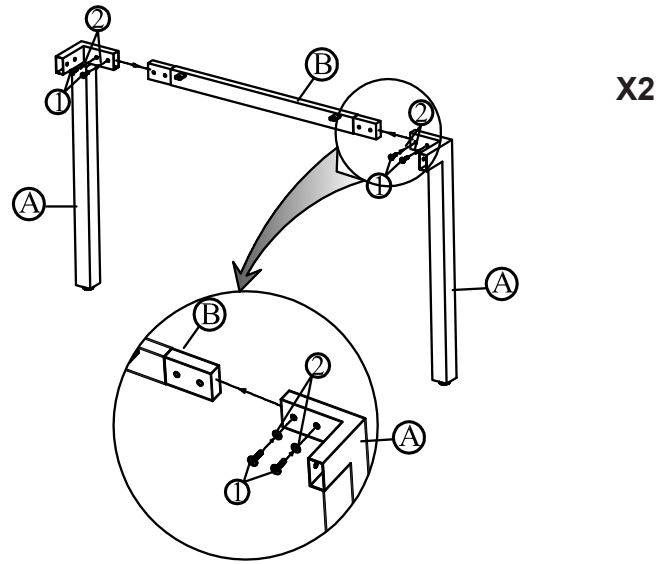
Notice:

1. 50% Tighten before fixing all screws, Allen wrench is recommended instead of an electric drill.
2. Place the item on a flat ground to adjust and make sure it remains stable.
3. Tighten up all screws with tools gradually.
4. If the screws are not aligned with holes during assembly, please loosen all the other screws to 50% and continue the assembly process.
5. If the item is not stable, please loosen all the screws, adjust it on a flat ground and tighten up all screws again.
6. Note : If one or some screws are fully tightened during assembly, chances are the others will not be aligned with holes. In addition, all the holes are designed to be relatively larger to provide more space for the adjustment of the screws.

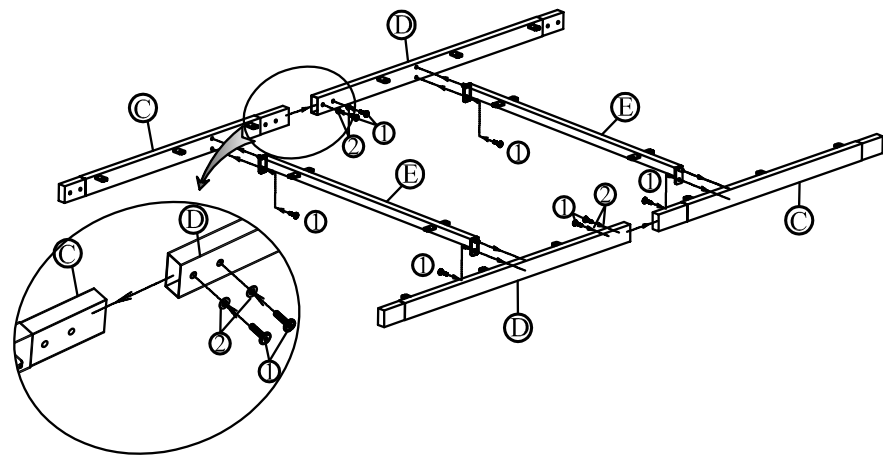
<p>A</p>  <p>(4 pcs)</p>	<p>B</p>  <p>(2 pcs)</p>	<p>C</p>  <p>(2 pcs)</p>
<p>D</p>  <p>(2 pcs)</p>	<p>E</p>  <p>(2 pcs)</p>	<p>F</p>  <p>(3 pcs)</p>
<p>G</p>  <p>(8 pcs)</p>	<p>H</p>  <p>(8 pcs)</p>	<p>I</p>  <p>(8 pcs)</p>
<p>K</p>  <p>(8 pcs)</p>	<p>L</p>  <p>(8 pcs)</p>	

<p>1</p>  <p>M6x20mm</p> <p>(24 pcs)</p>	<p>2</p>  <p>M6 x 14 x 1mm</p> <p>(20 pcs)</p>	<p>3</p>  <p>M6 x 35</p> <p>(64 pcs)</p>
<p>4</p>  <p>Allenkey 4 x 98</p> <p>(4 pcs)</p>	<p>5</p>  <p>M4 x 15</p> <p>(24 pcs)</p>	

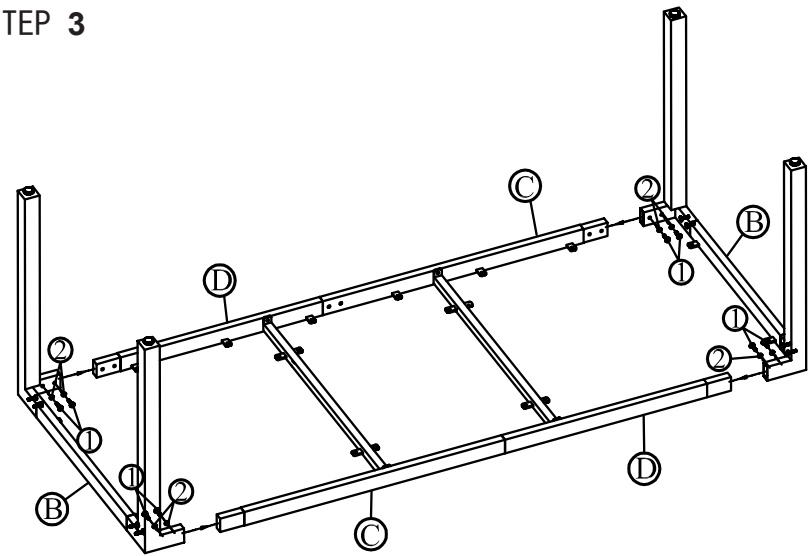
STEP 1



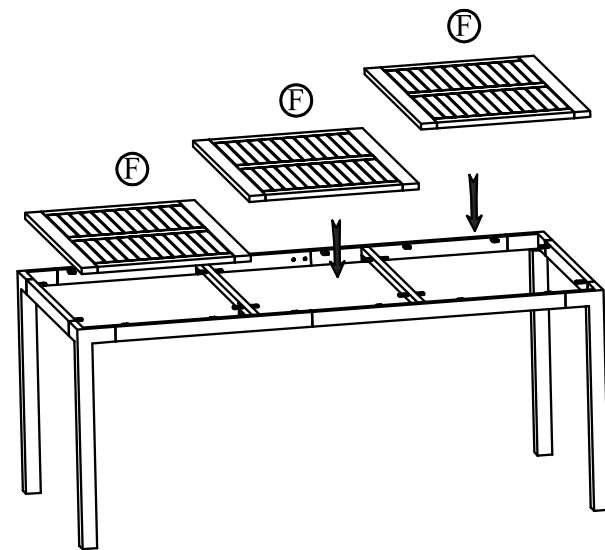
STEP 2



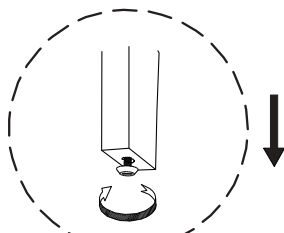
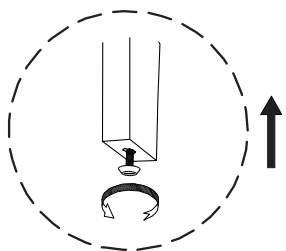
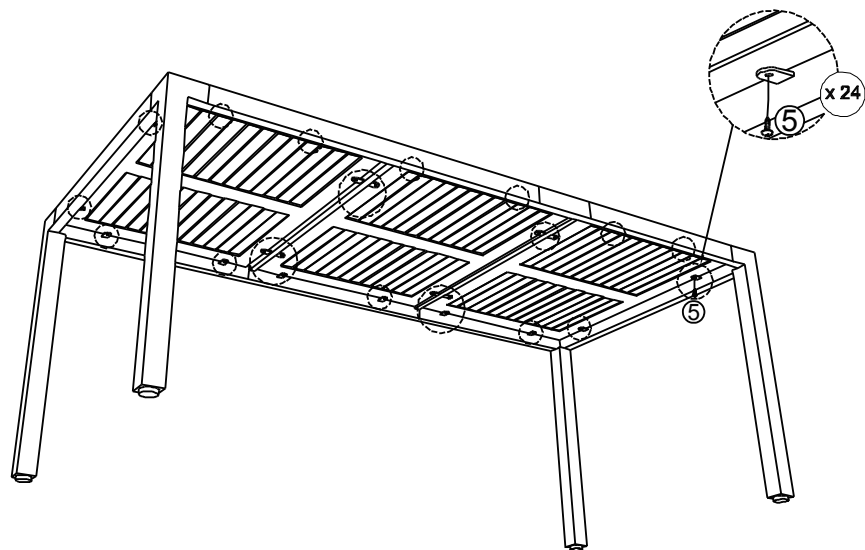
STEP 3



STEP 4

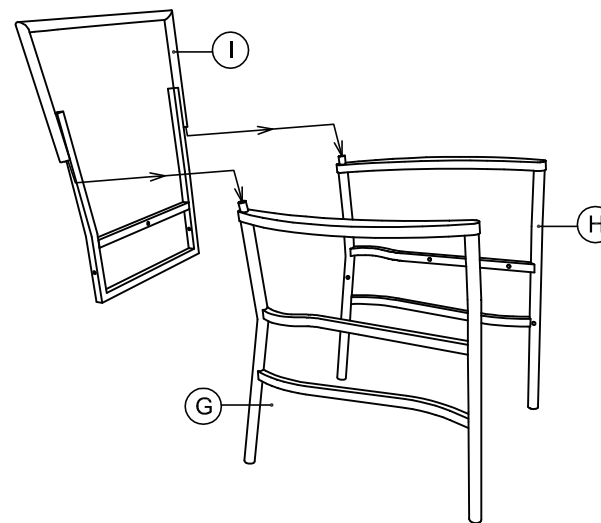


STEP 5

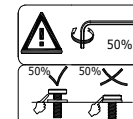


8

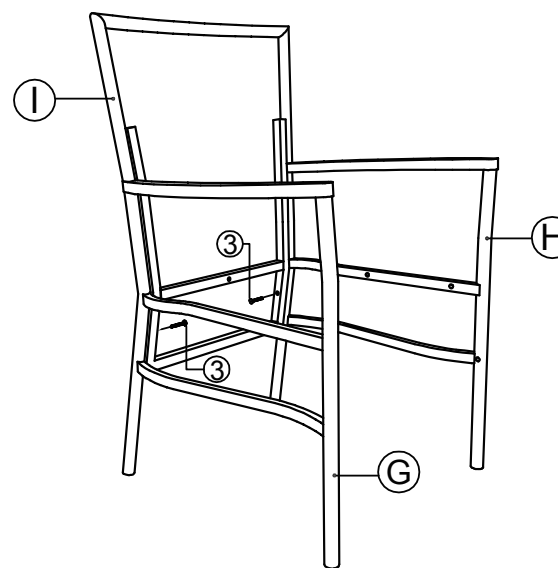
STEP 6



X8



STEP 7

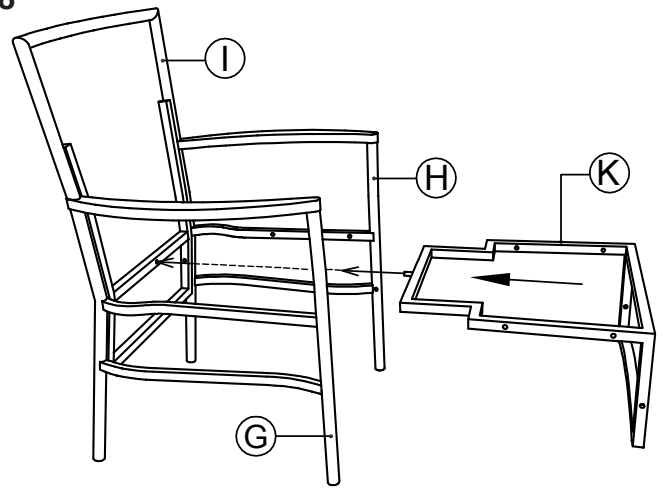


X8

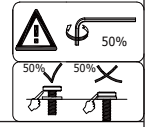


9

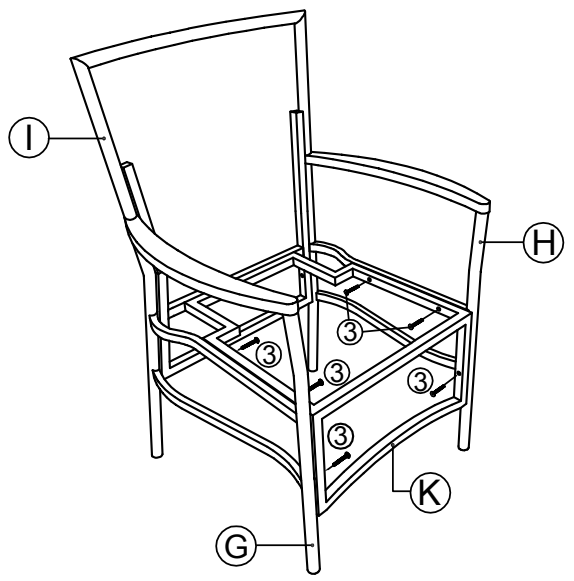
STEP 8



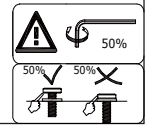
X8



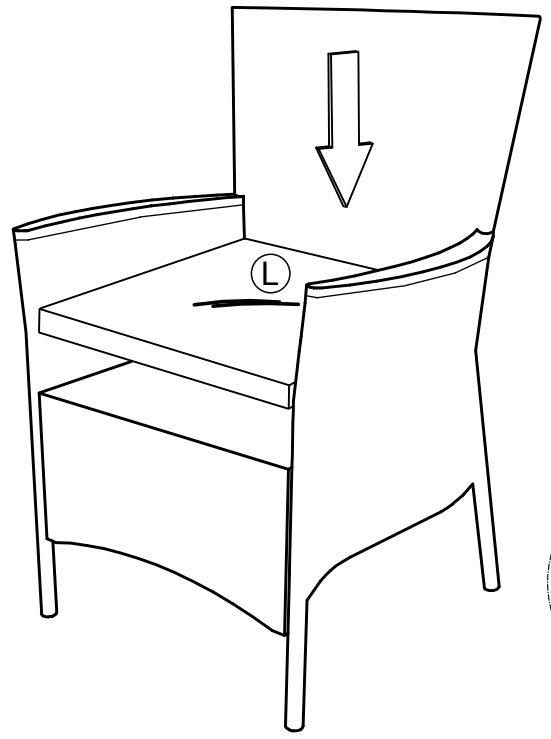
STEP 9



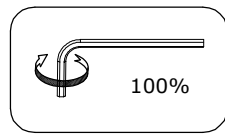
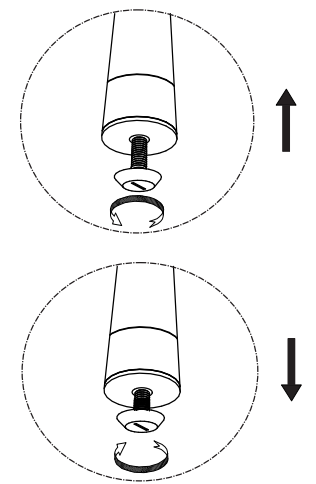
X8



STEP 10



X8



FINISH

Care and Maintenance

Use a soft, clean cloth that will not scratch the surface when dusting.

Use of furniture polish is not necessary.

Should you choose to use polish, test first in an inconspicuous area.

Using solvents of any kind on your furniture may damage the finish.

Never use water to clean your furniture as it may cause damage to the finish.

Liquid spills should be removed immediately. Using a soft clean cloth, blot the spill gently. Avoid rubbing.

Check bolts/screws periodically and tighten them if necessary.

Further advice about wood furniture care

It is best to keep your furniture in a climate-controlled environment.

Extreme temperature and humidity changes can cause fading, warping, shrinking and splitting of wood.

It is advised to keep furniture away from direct sunlight as sun may damage the finish.

Proper care and cleaning at home will extend the life of your purchase.

Following these important and helpful tips will enhance your furniture as it ages.