



# GARDEN BED

# ASSEMBLY GUIDE

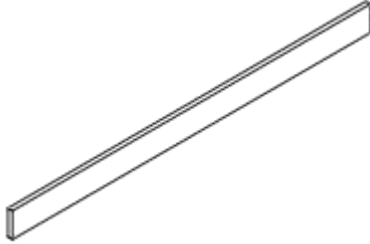
- Use a tarp or drop cloth to prevent losing small hardware when assembling the beds in the field.
- These beds provide ergonomic access to plants and can eliminate the need to till the soil each year if the soil is not packed down. Avoid stepping in the bed!
- The garden beds are ideal for larger plants such as tomatoes, peppers or blueberries or raspberries planted in a row, smaller plants such as herbs or flowers can be grown around them as an accent.
- The narrow beds can be accessed from one side and are suitable to place against a wall, or can be lined up or extended to form a wall or boarder.
- 40" large beds are best for planning multiple rows of plants such as lettuce, radishes, carrots, corn or rambling plants such as strawberries.
- Beds can be bolted end-to-end to form larger assemblies using common fastening points.
- Prepare the site before installation. Level ground and remove existing vegetation, weed cloth can be used under the beds, a double layer is recommended for beds placed on un-stripped lawn.
- A layer of gravel or stone can be used at the bottom of the beds for improved drainage.
- For roof top installations, heavy-duty poly or rubber sheet can be used as a liner. Drain holes must be cut around the bottom edges to insure proper drainage.
- Loosely hand-tighten all nuts and bolt sets first, position the bed, then tighten all with a wrench or socket.
- Extra hardware may be provided, after assembly check that all fasten points are secured.

- Do not stand on, or lean a wheelbarrow against the bed wall, It will damage the wall and void the warranty.
- These raised garden beds are not toys. Children should not play in or around them. Use of these beds for applications other than gardening will void the warranty.

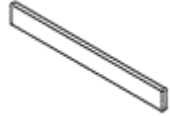
# COMPONENTS



a: M4\*30 (x68)



A: (x16)



B: (x12)



C: (x2)



D: (x4)

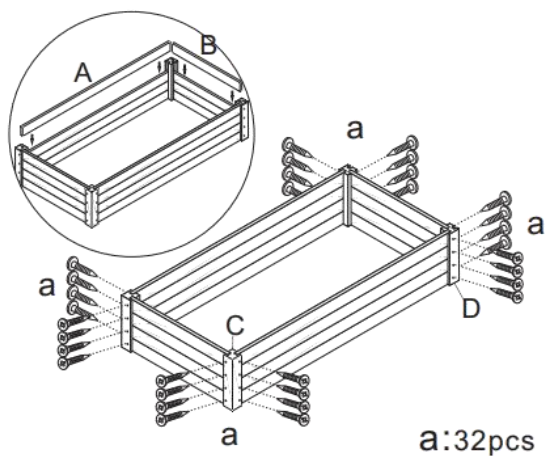


E: (x6)

# INSTALLATION

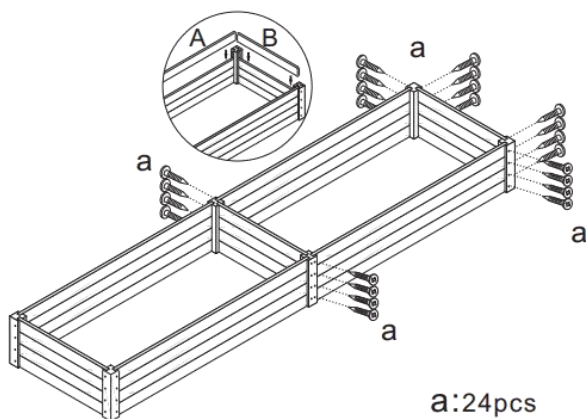
## Step 1

Attach A to B with C, D and a as shown.



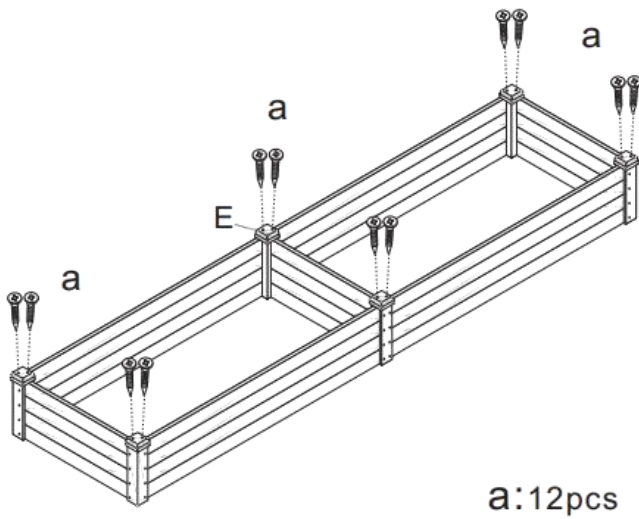
## Step 2

Repeat step 1, assemble A to B with C, D and a as shown.



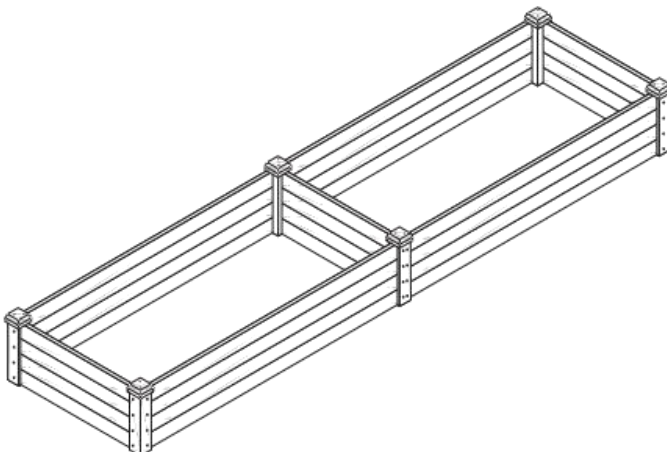
### Step 3

Attach E to the corresponding position of the garden bed with a.



### Step 4

Finished.



# CAUTION & CARE

## Caution

- Handle components with care due to sharp corners.
- Beware of the warning label of any chemicals that may cause corrosion if used in the garden bed.
- Corrosion caused by chemical reactions is not covered by warranty.

## Recommendations

- Wear gloves during assembly.
- Assemble the unit on a level surface.