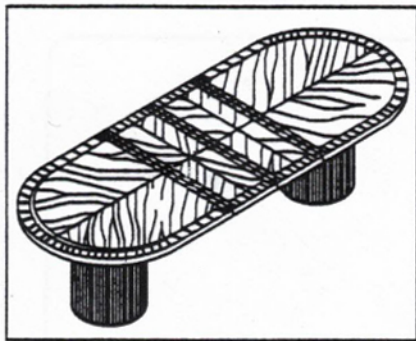



# ASSEMBLY INSTRUCTIONS


## SKU/ITEM:D028- Oval Dining Table



**+ Do Not Use power Tools**



**+ Suggested Adults**



**Note:**

- 1 Read instructions cover to cover.
- 2 Save all packaging until assembly is completed.

**1 IMPORTANT SAFETY INFORMATION**

**Do not** assemble the product if any of the following parts arrived damaged:


- Part# -Table Top
- Part# -Table Leaf
- Part# -Connection Panel
- Part# -Base

**2 IMPORTANT ASSEMBLY INFORMATION**

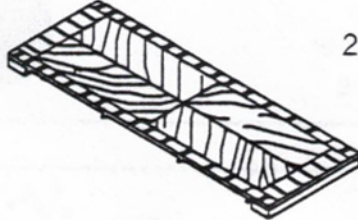
**Assembly step** Use Bolt B to connect Part 4 to Part 3, use Bolt B to connect Part 3 to Part 1,

**\*Warning:** Do not over tighten screws, or it could damage the Table Top.


**+ Parts Included**


①  1PC

---


②  2PCS


---


③  2PCS


④  2PCS

**+ Hardware Included**

A  Allen wrench (5MM) (1PC)

B  Bolt (5/16\*1 1/2") (16PCS)

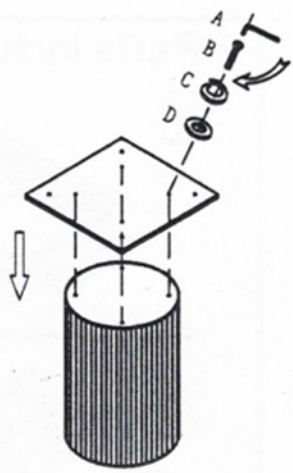
C  Washer(16PCS)

D  Flat Washer(16PCS)

# ASSEMBLY INSTRUCTIONS

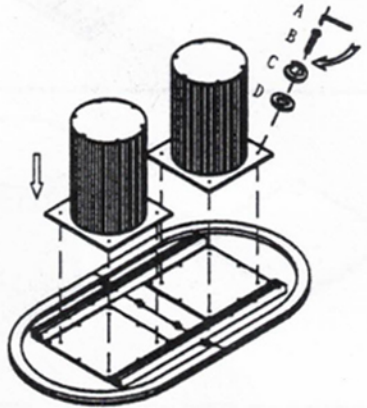
## SKU/ITEM:D028- Oval Dining Table

1



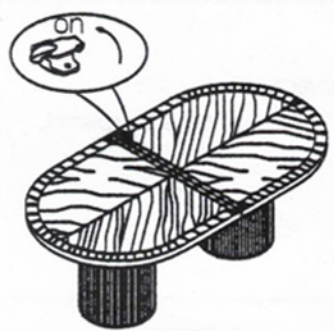
**Note:** Do not over tighten screws

2

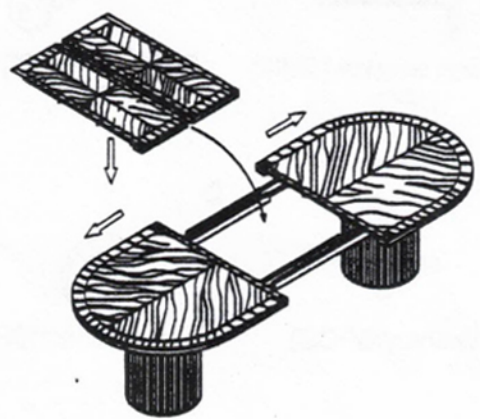


**Note:** Do not over tighten screws

3



4



5

