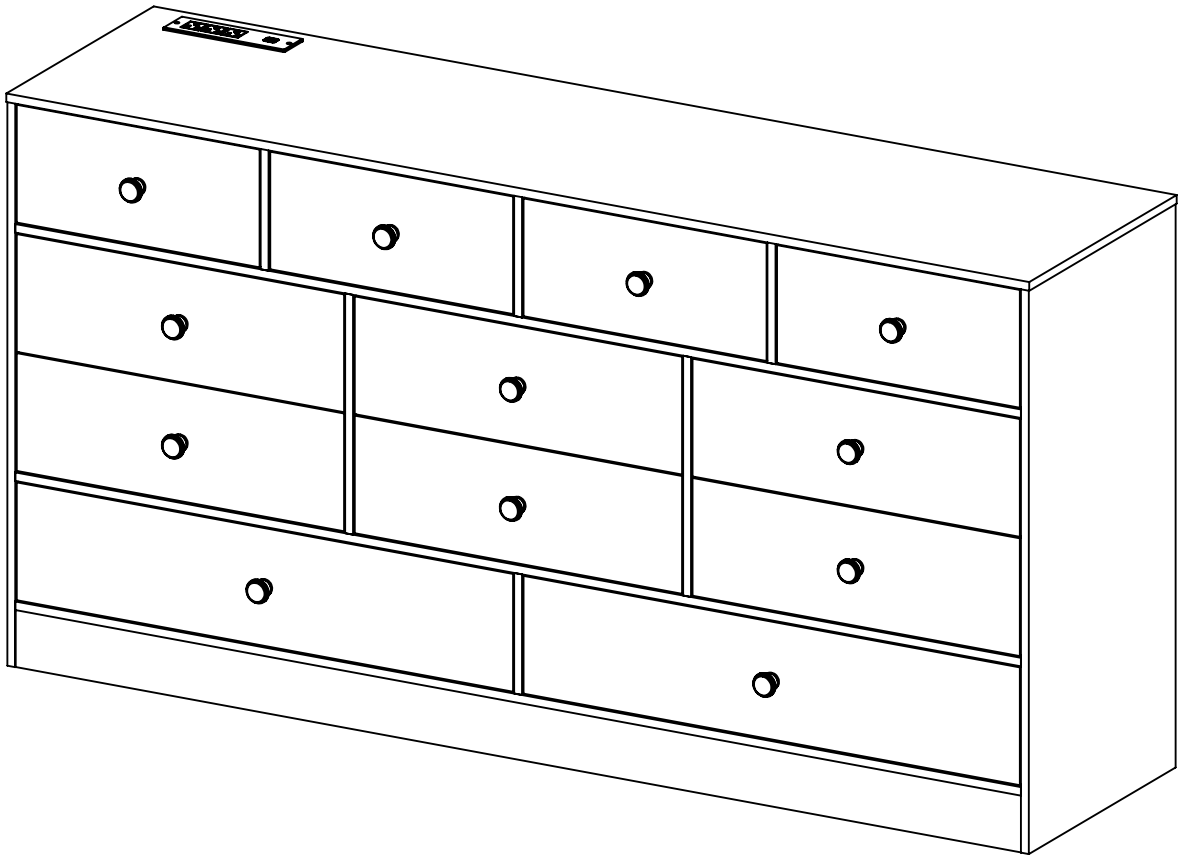
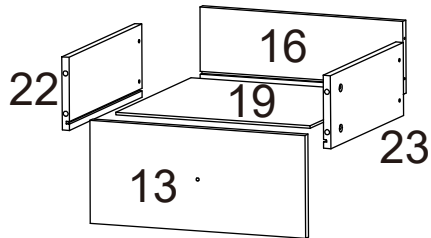
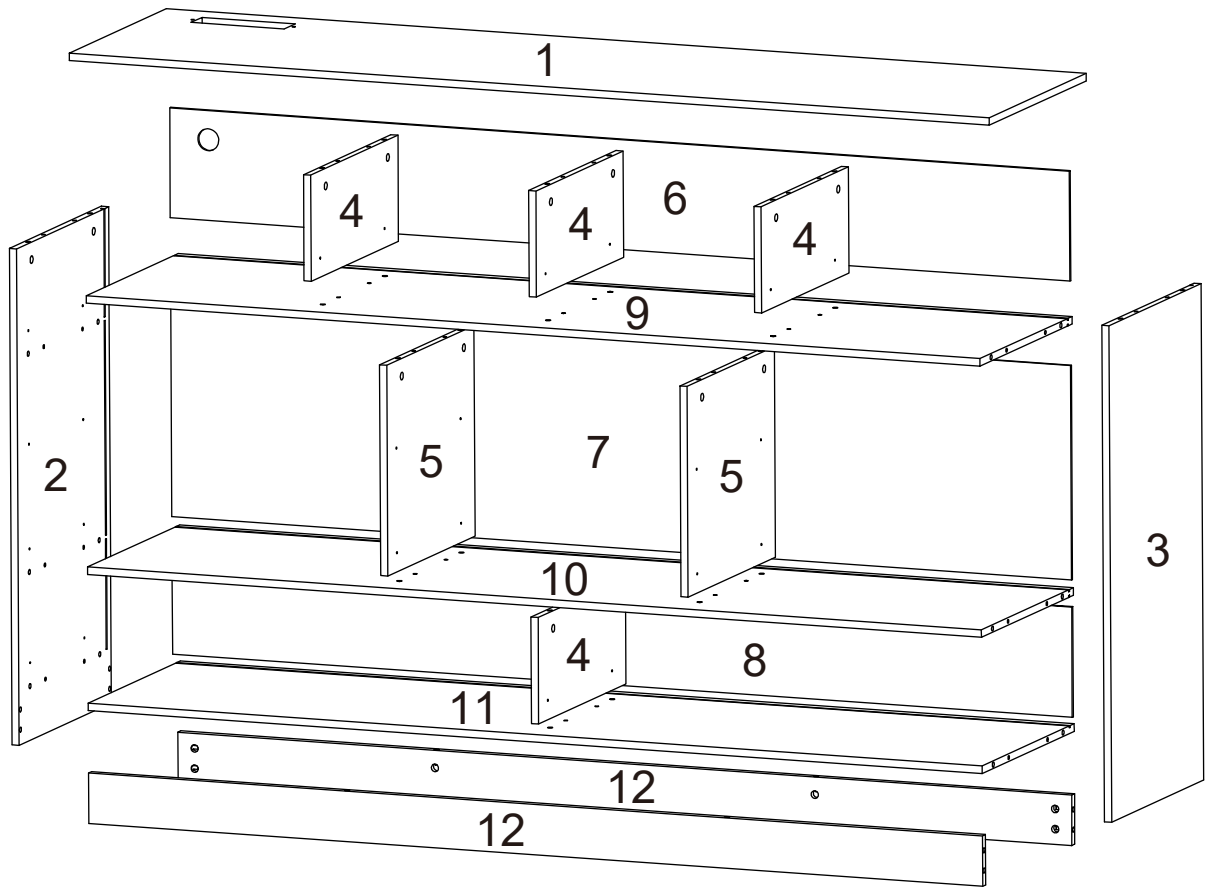


INSTALLATION INSTRUCTION

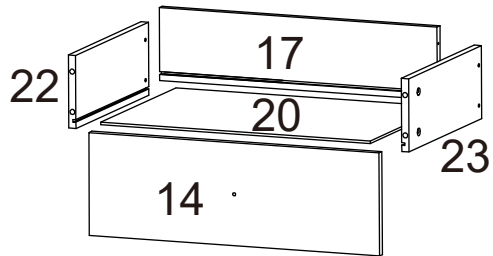


Thank you for purchasing our products. Please contact us if you have difficulty with assembly or need replacement parts. Our customer service is here to assist you. Please attach your User Name and Order ID so that we can assist you better.
support@jojoka.net

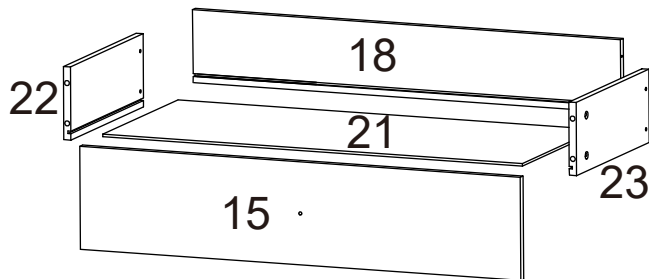
BOARD IDENTIFICATION



×4




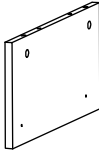
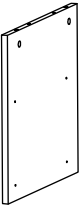
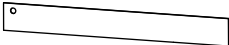
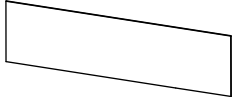
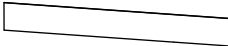
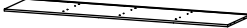


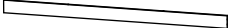
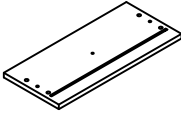
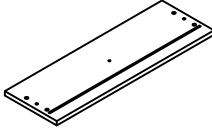
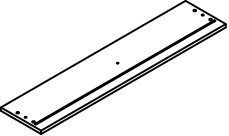
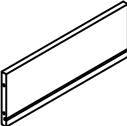
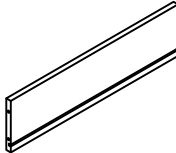
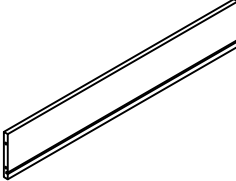
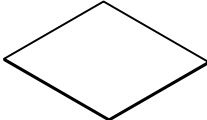
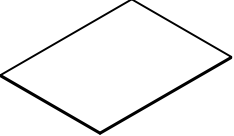
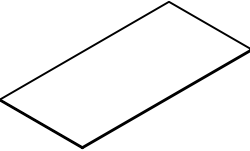
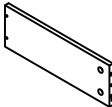
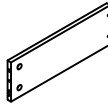


×6



×2

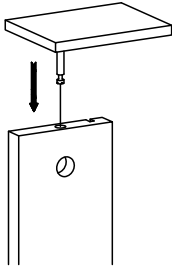
BOARD IDENTIFICATION

| | | | | |
|---|---|---|--|---|
|  |  |  |  |  |
| 1X1 | 2X1 | 3X1 | 4X4 | 5X2 |
|  |  |  |  |  |
| 6X1 | 7X1 | 8X1 | 9X1 | 10X1 |
|  |  |  |  |  |
| 11X1 | 12X2 | 13X4 | 14X6 | 15X2 |
|  |  |  |  |  |
| 16X4 | 17X6 | 18X2 | 19X4 | 20X6 |
|  |  |  | | |
| 21X2 | 22X12 | 23X12 | | |
| | | | | |

BOARD IDENTIFICATION

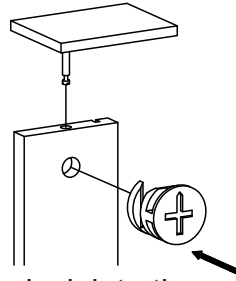
Installation of Eccentric Wheel Nut Set

1



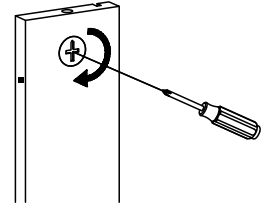
Screw the end of cambolt on the board, find the corresponding board and insert the other end.

2

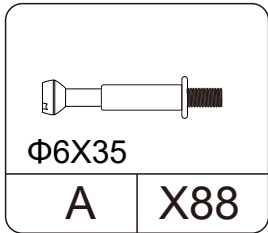


Stuff the camlock into the round hole. The arrowpoints to the cambolt.

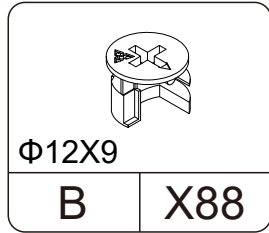
3



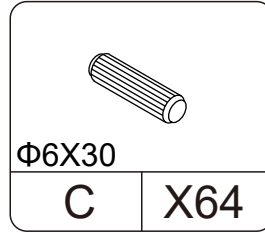
Turn clockwise about 180° to lock the plate.



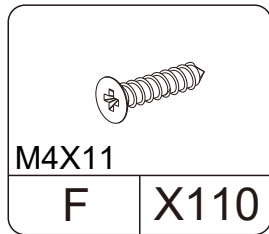
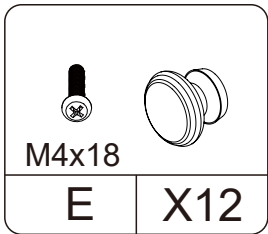
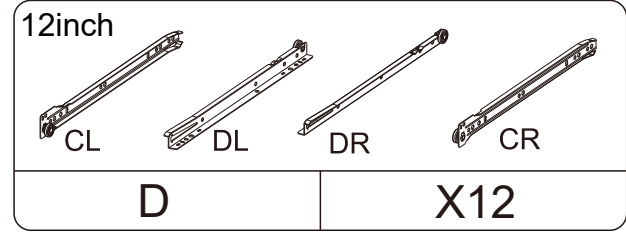
Cam bolt



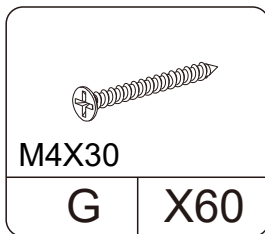
Cam lock



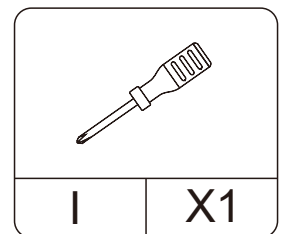
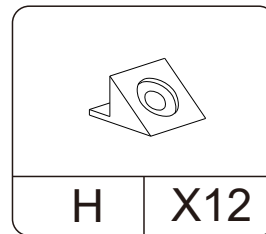
Wood dowel



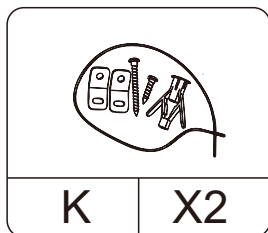
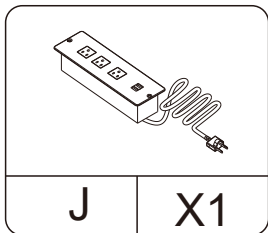
Screws



Screws

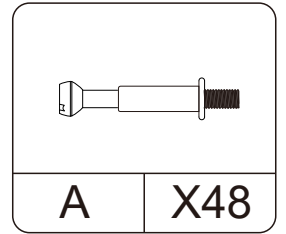
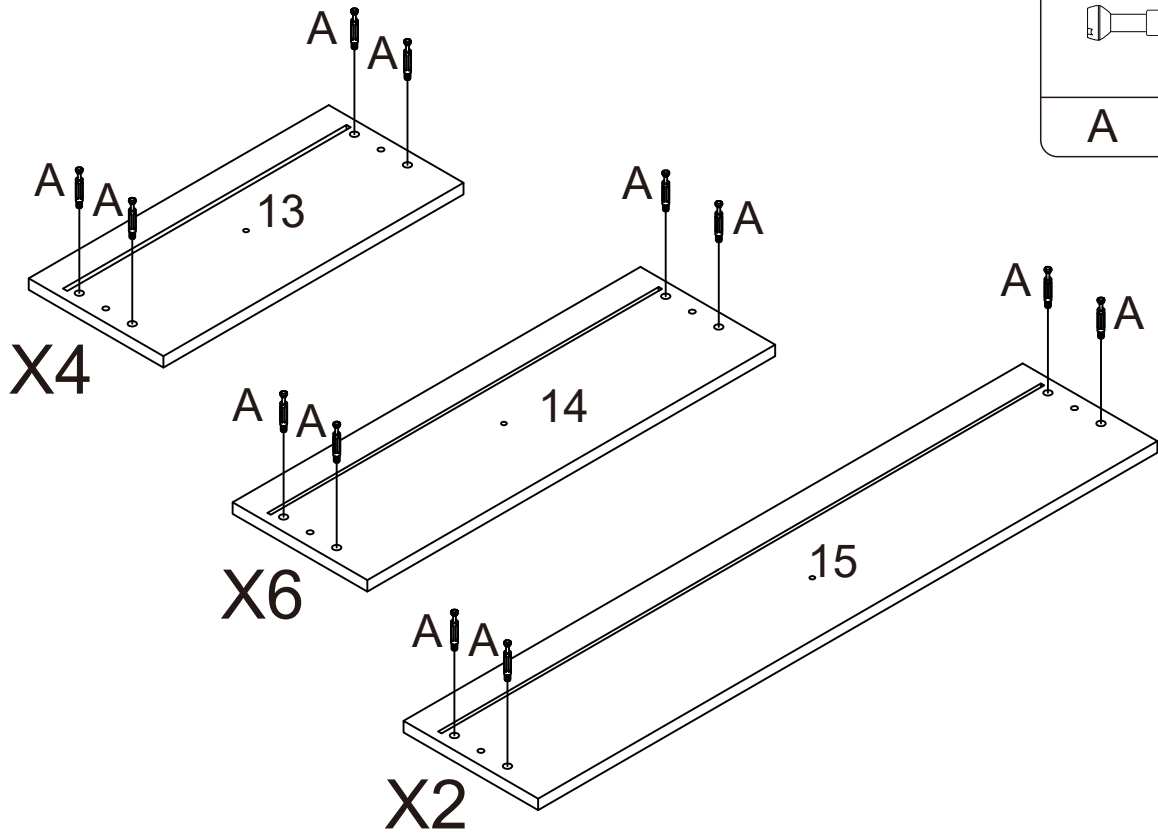


Screwdriver

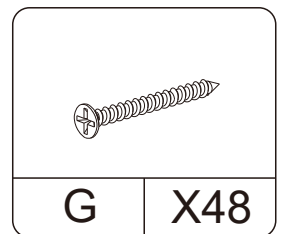
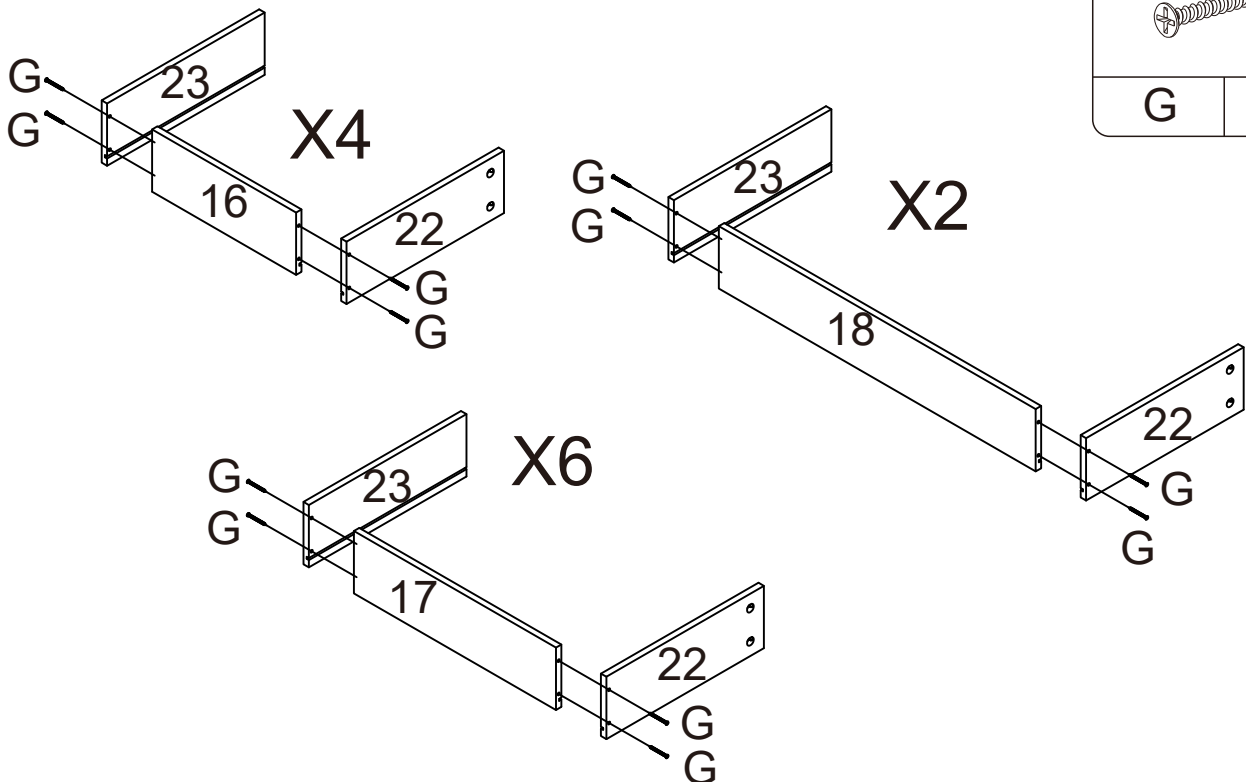


INSTALLATION STEPS

STEP1:

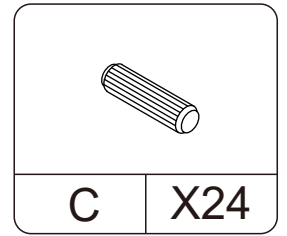
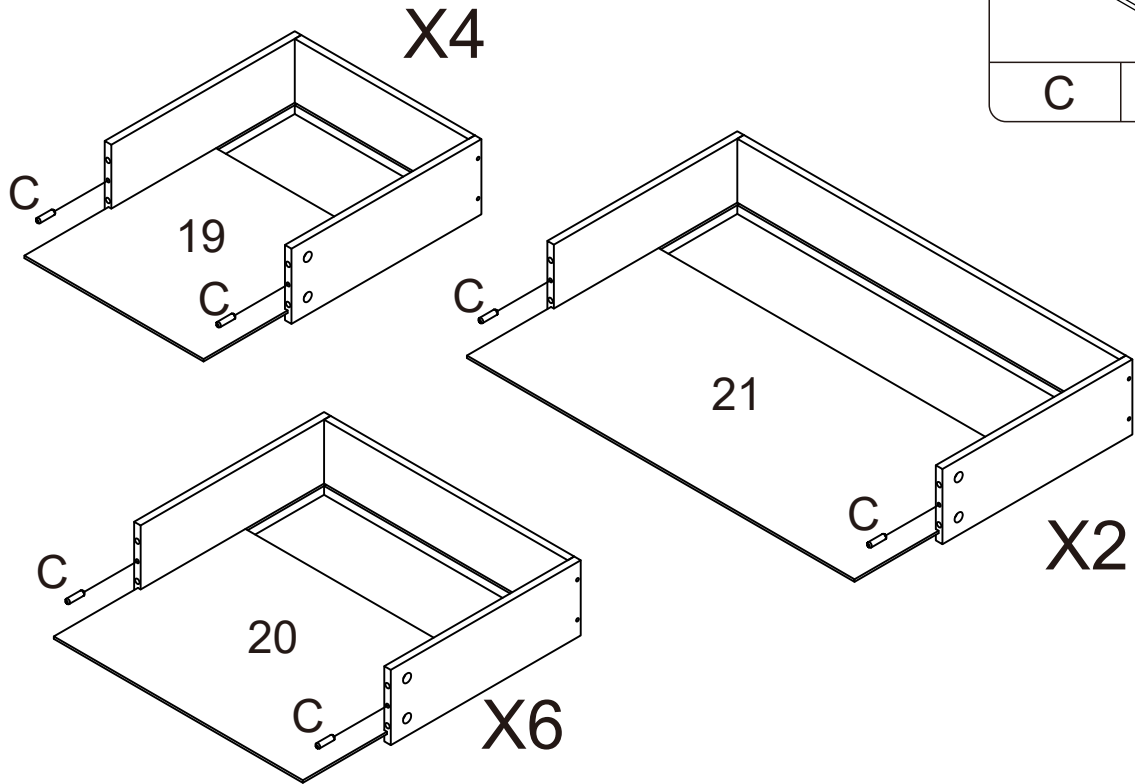


STEP2:

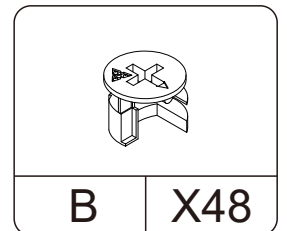
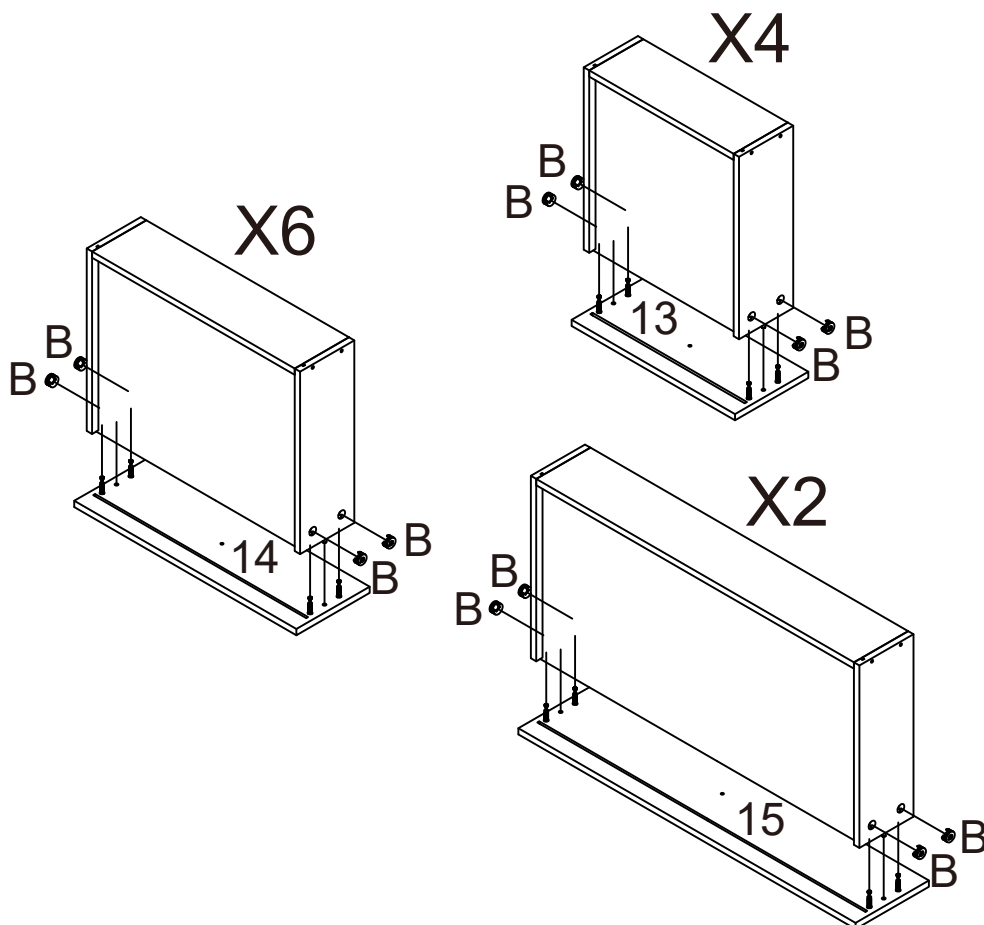


INSTALLATION STEPS

STEP3:

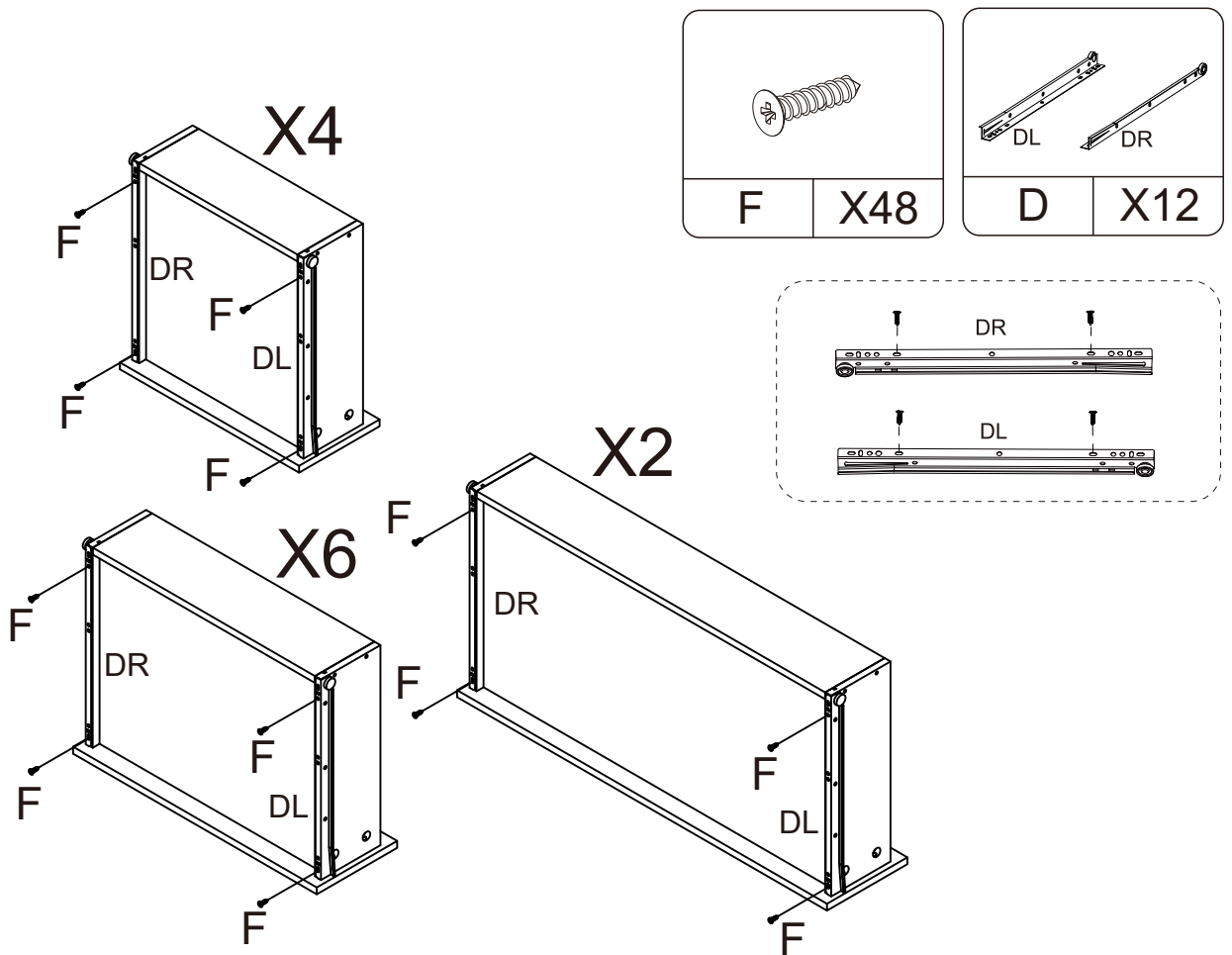


STEP4:

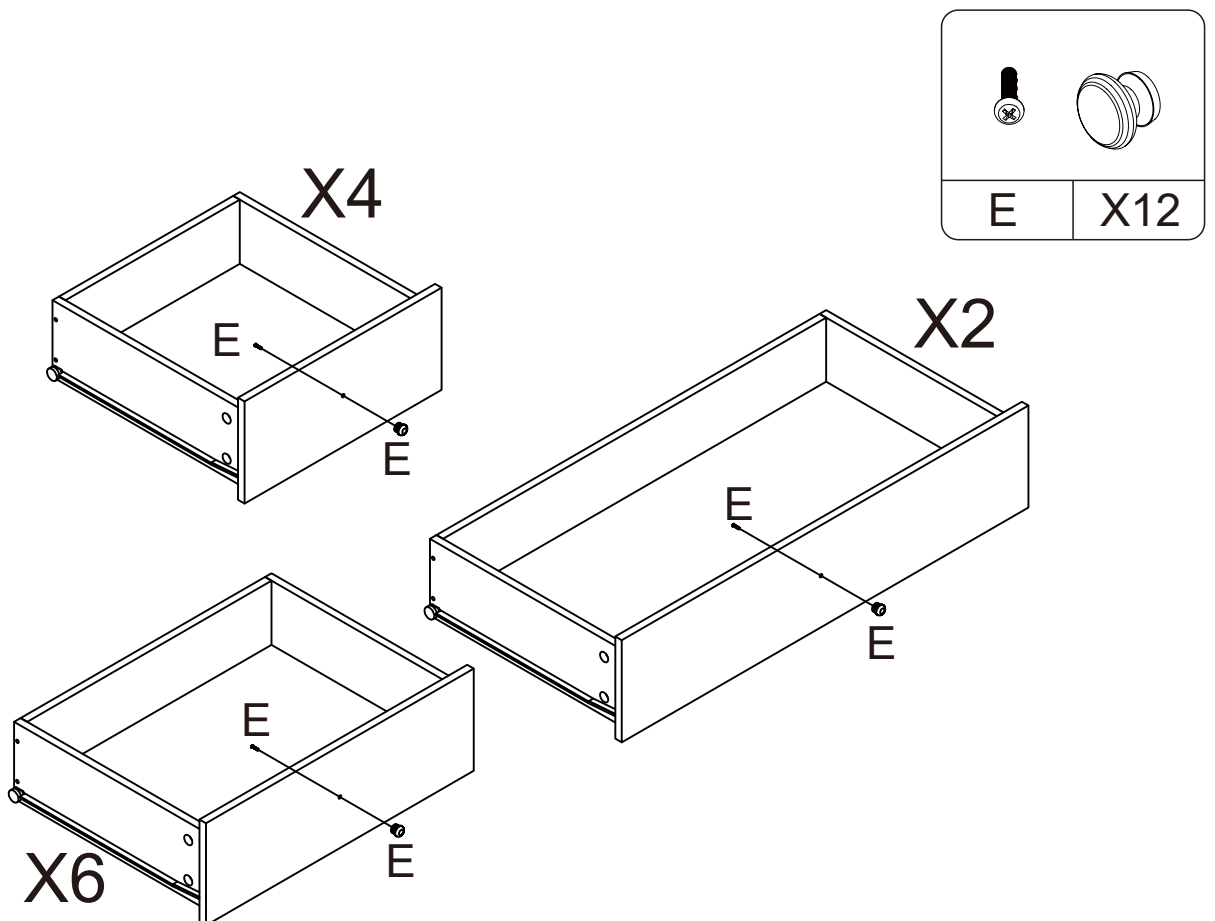


INSTALLATION STEPS

STEP5:

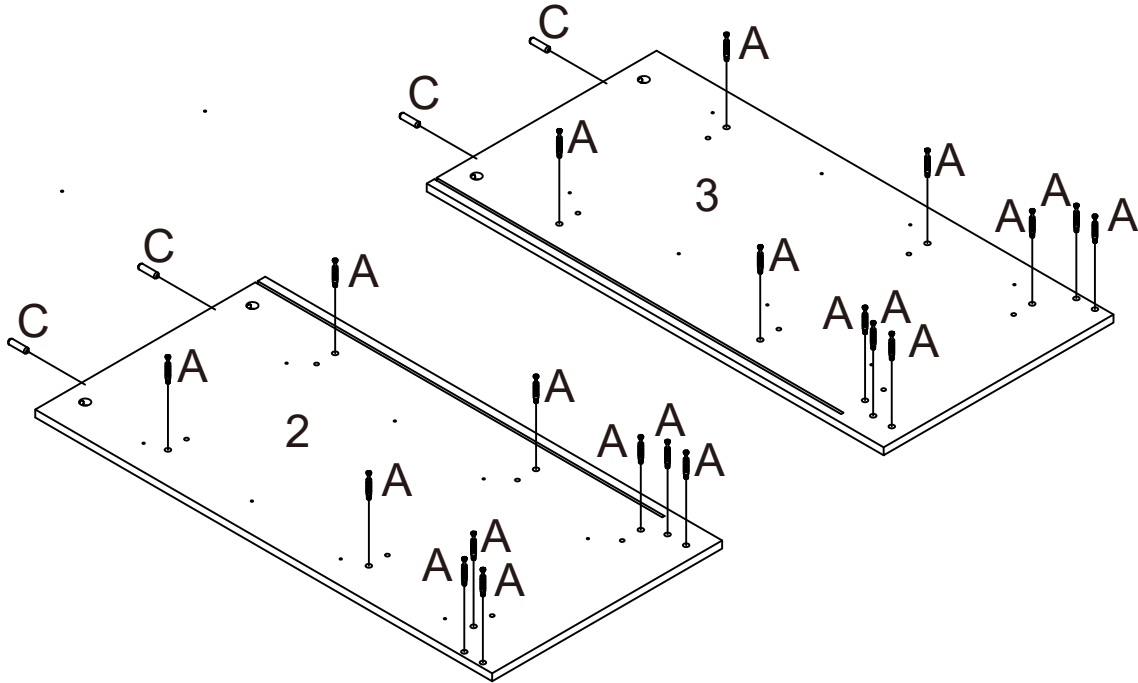
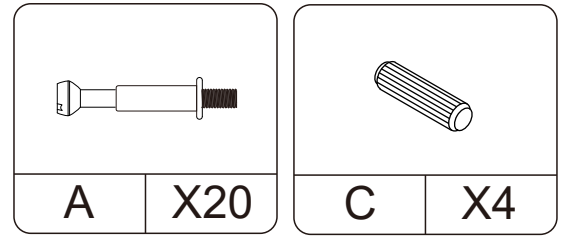


STEP6:

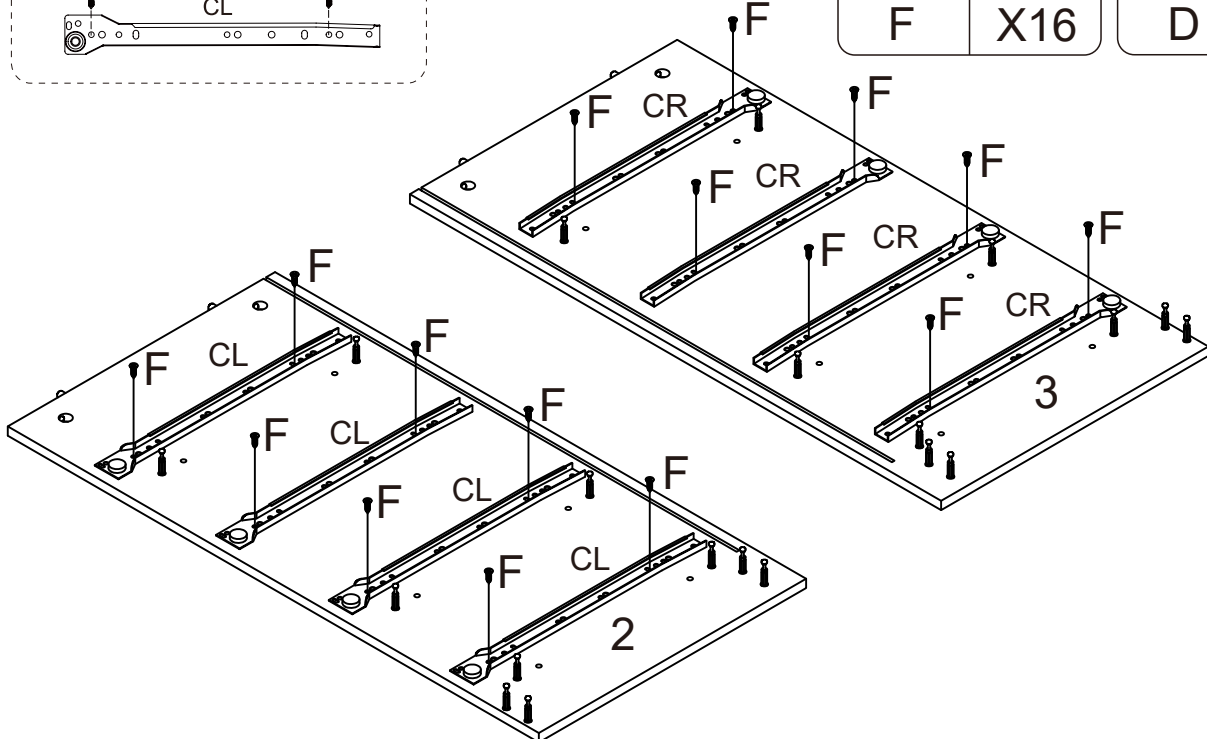
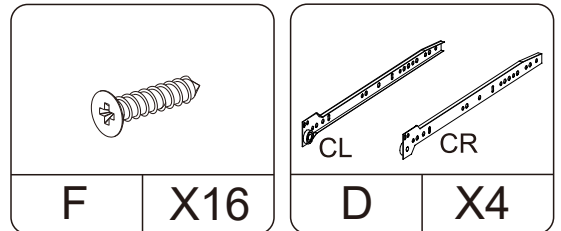
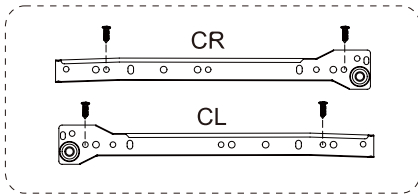


INSTALLATION STEPS

STEP7:

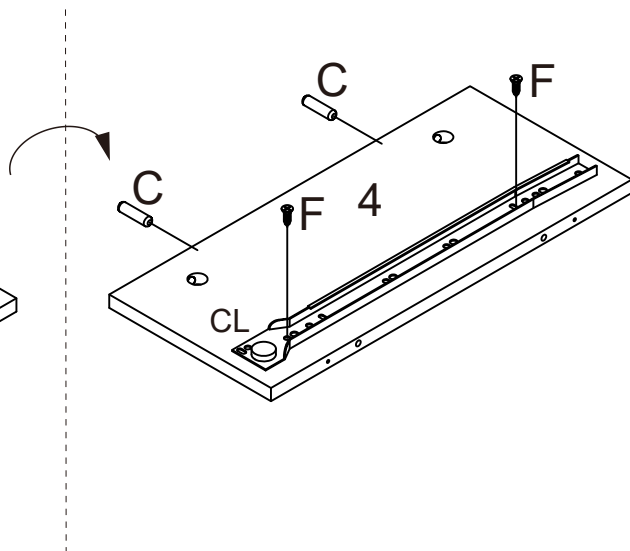
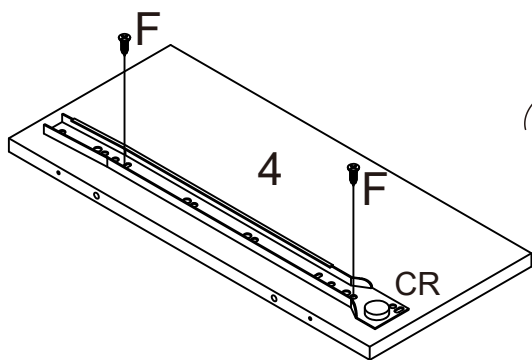
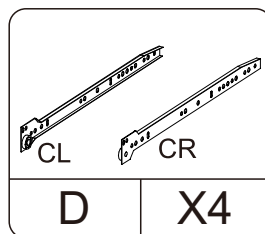
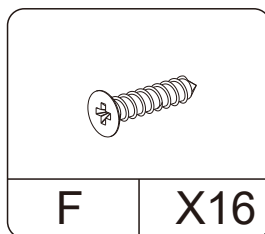
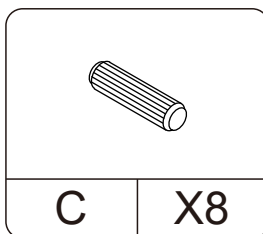
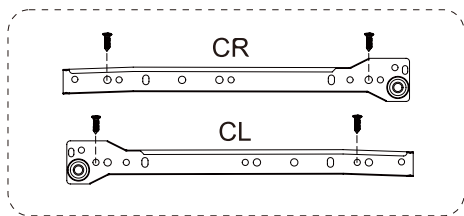


STEP8:



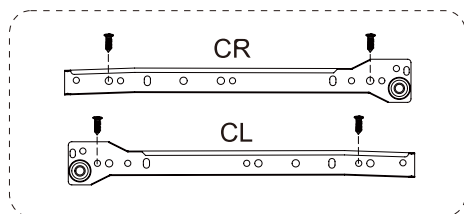
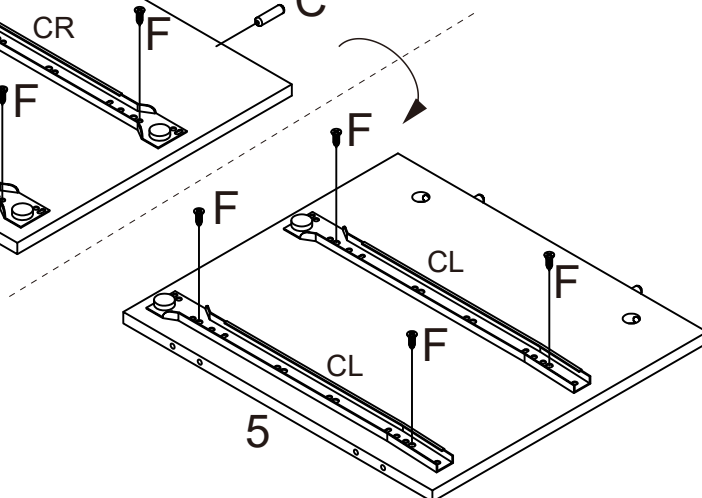
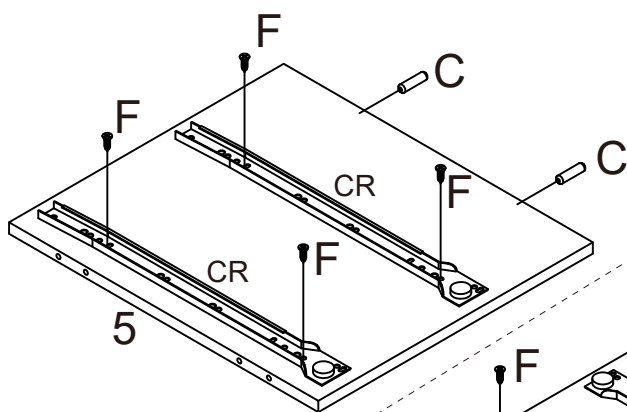
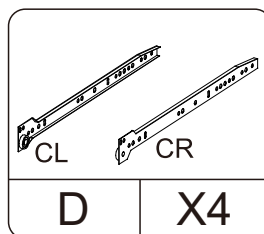
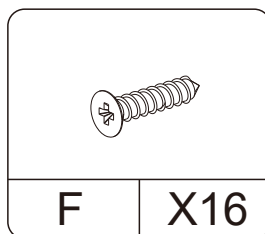
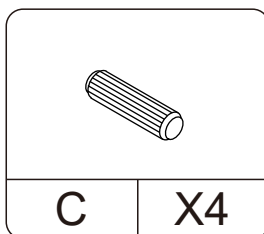
INSTALLATION STEPS

STEP9:



X4

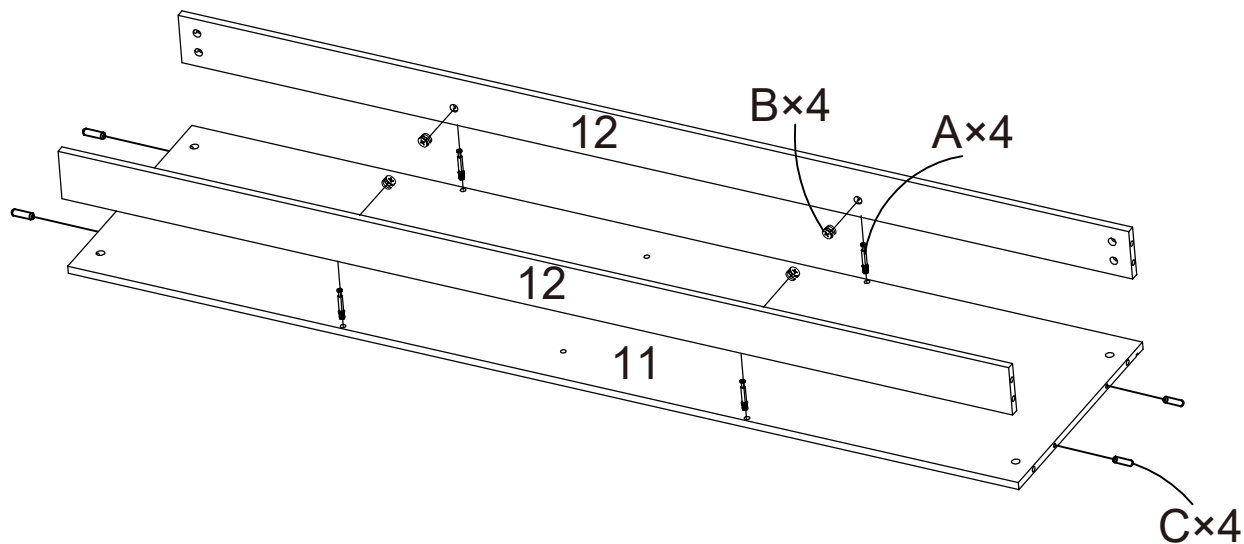
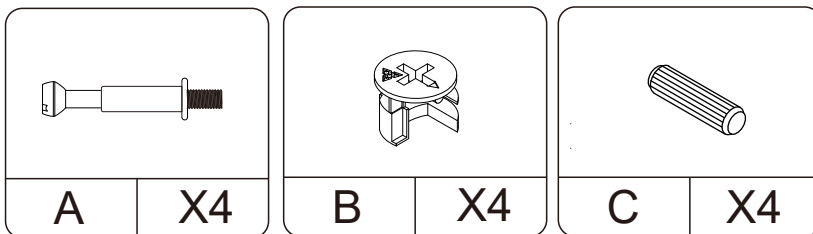
STEP10:



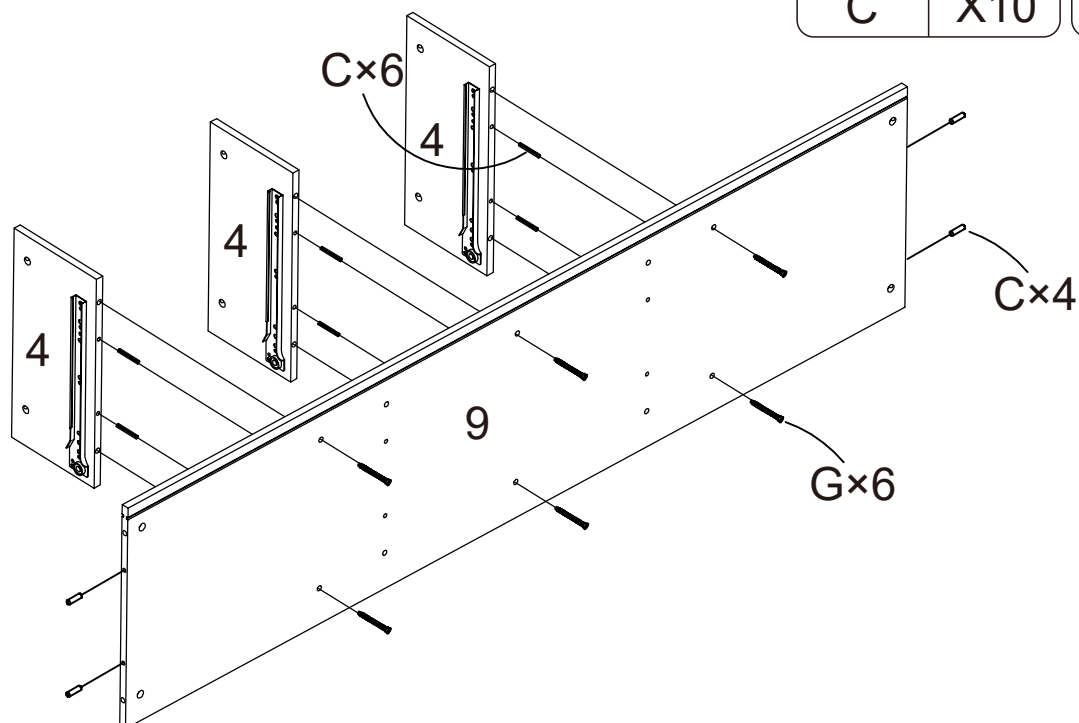
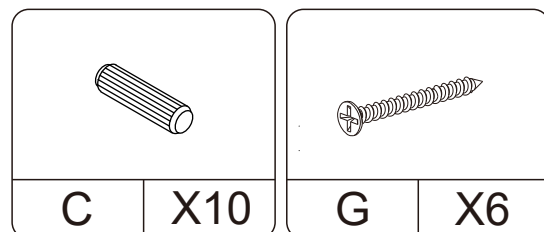
X2

INSTALLATION STEPS

STEP11:

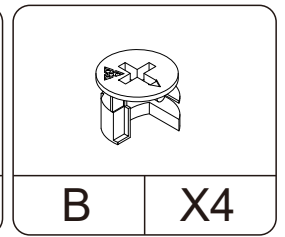
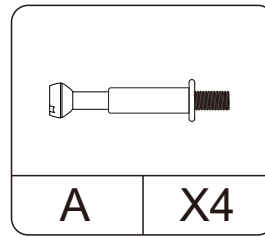
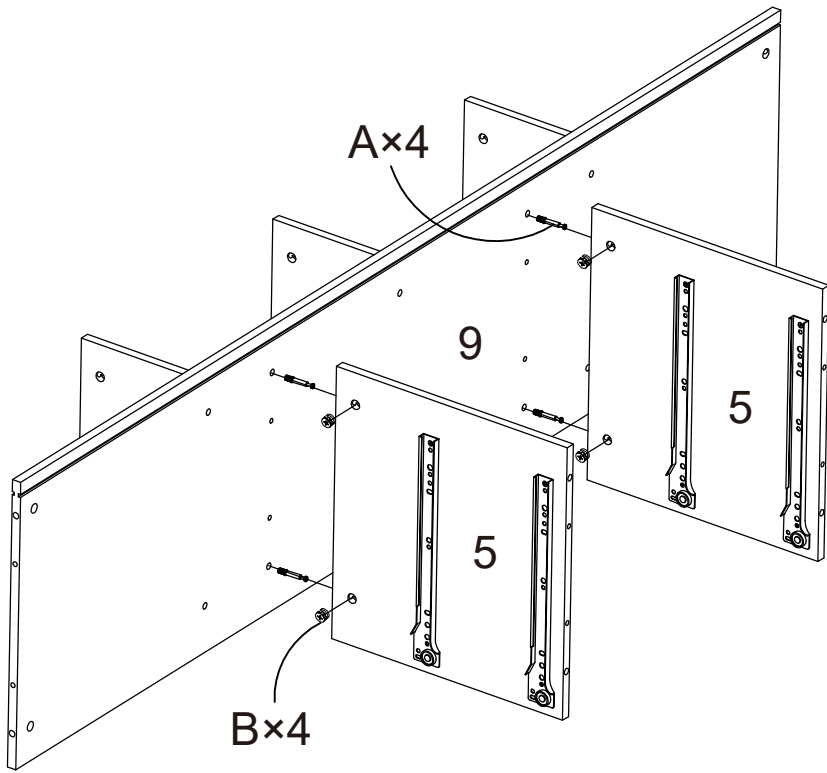


STEP12:

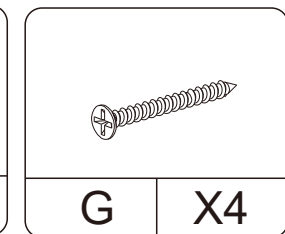
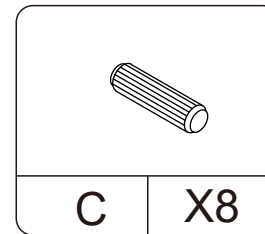
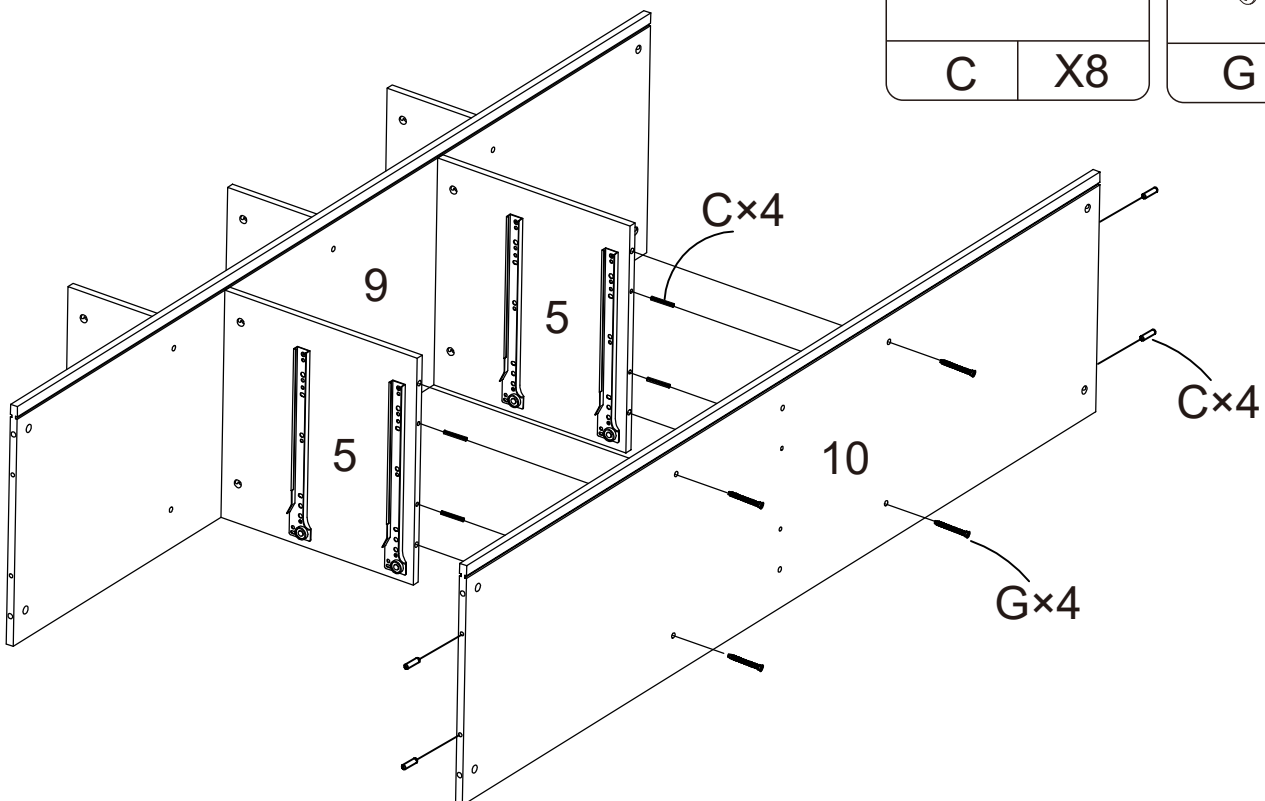


INSTALLATION STEPS

STEP13:

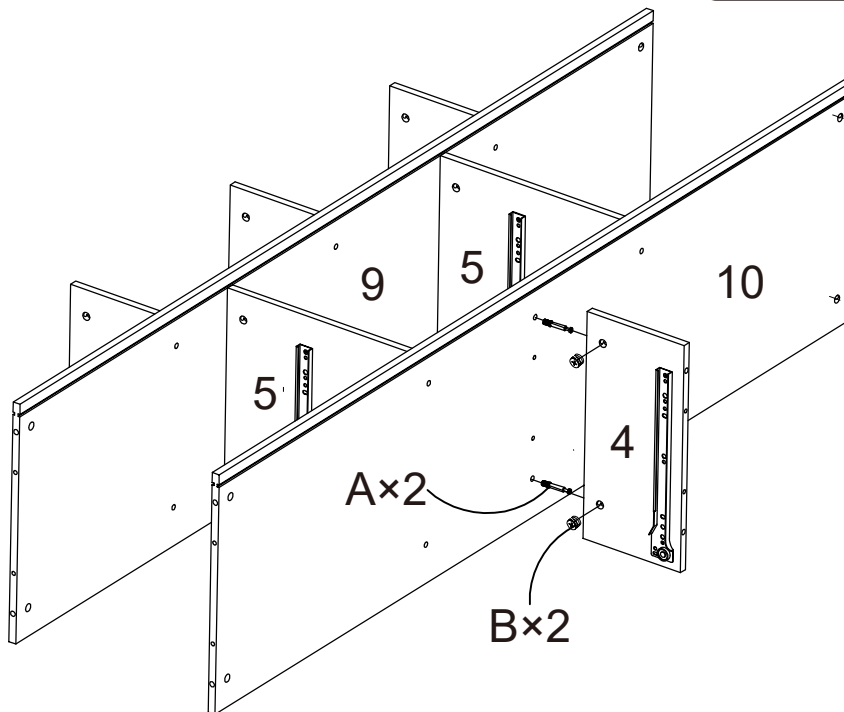
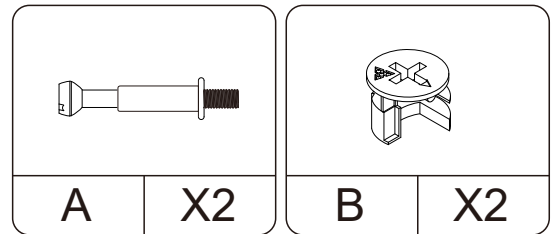


STEP14:

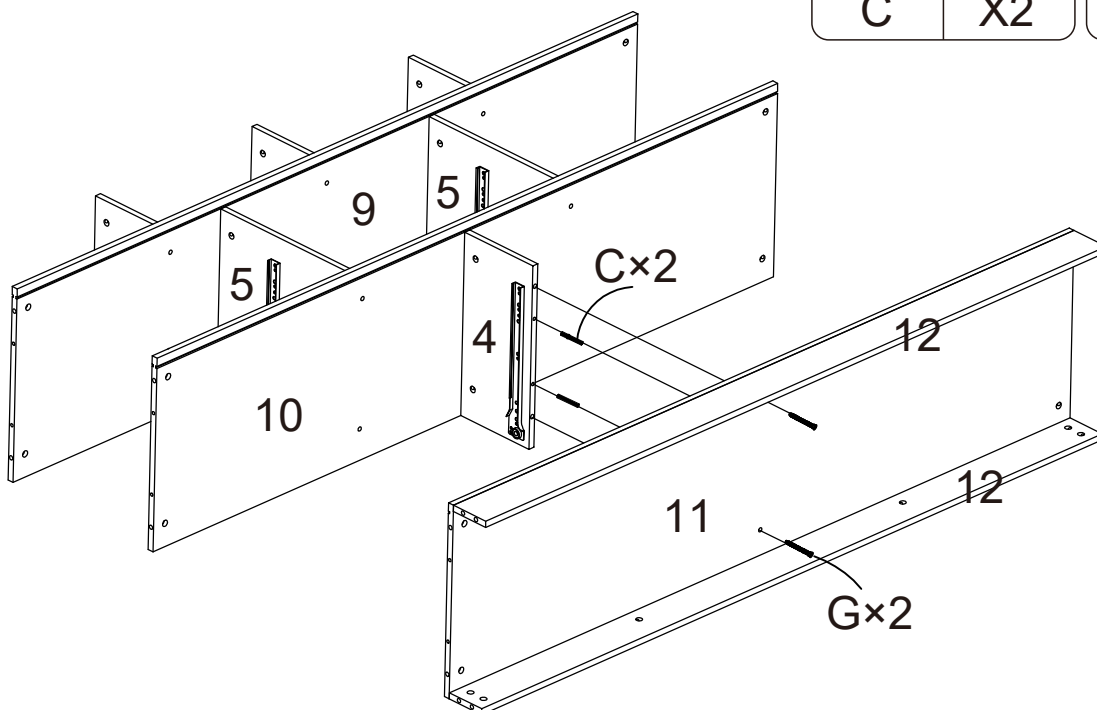
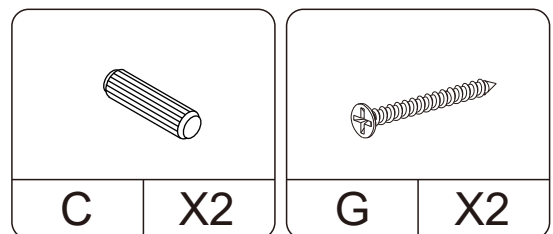


INSTALLATION STEPS

STEP15:

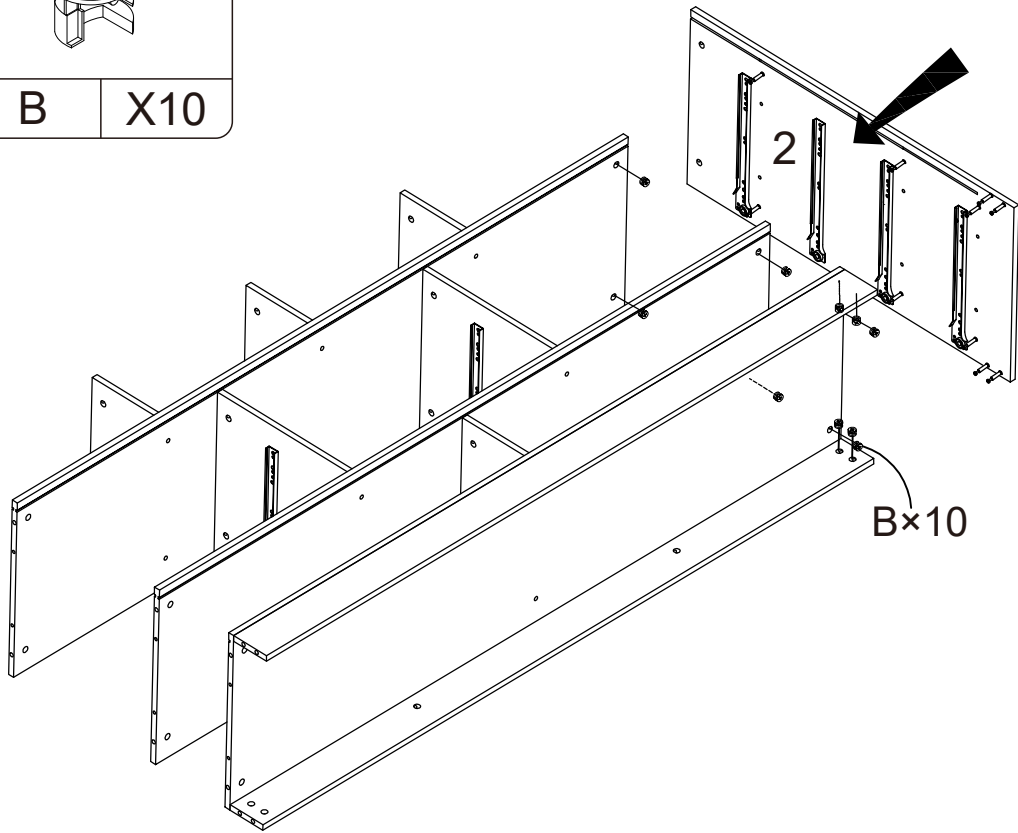
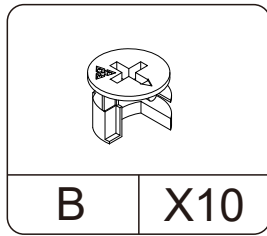


STEP16:

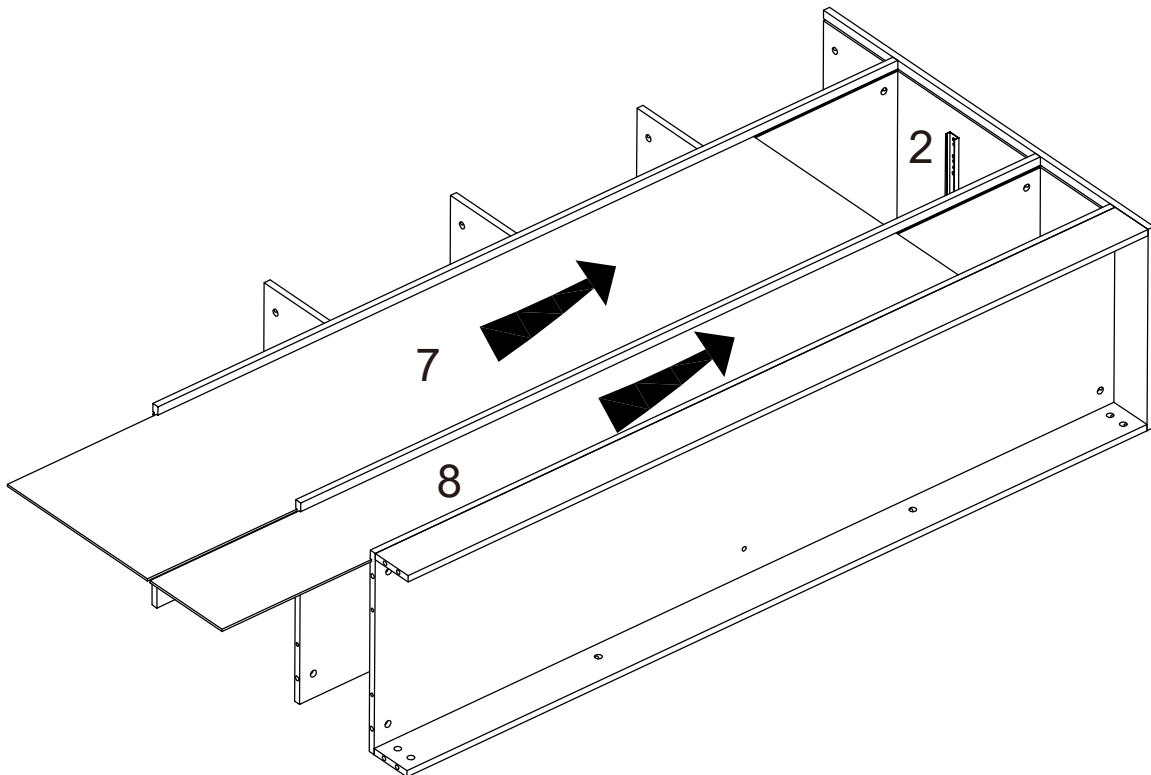


INSTALLATION STEPS

STEP17:

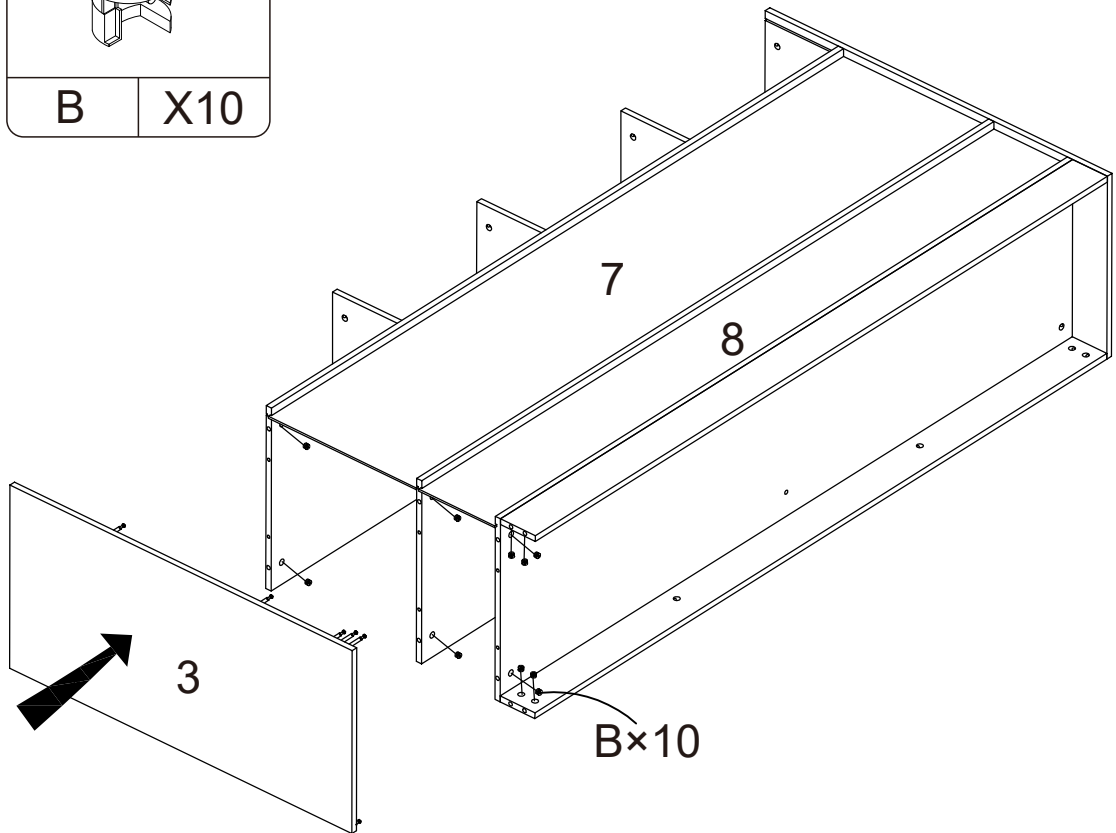
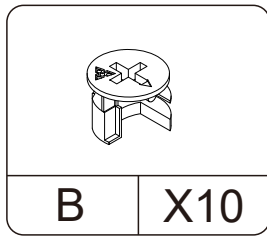


STEP18:

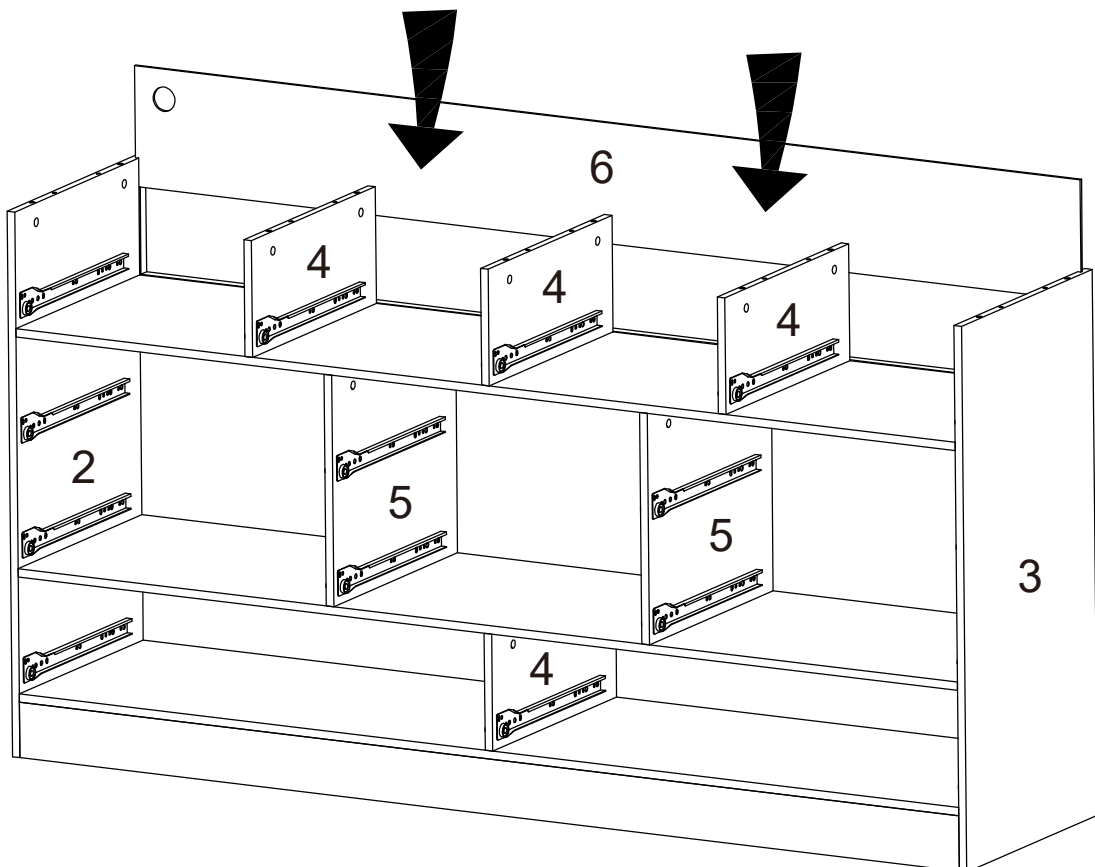


INSTALLATION STEPS

STEP19:

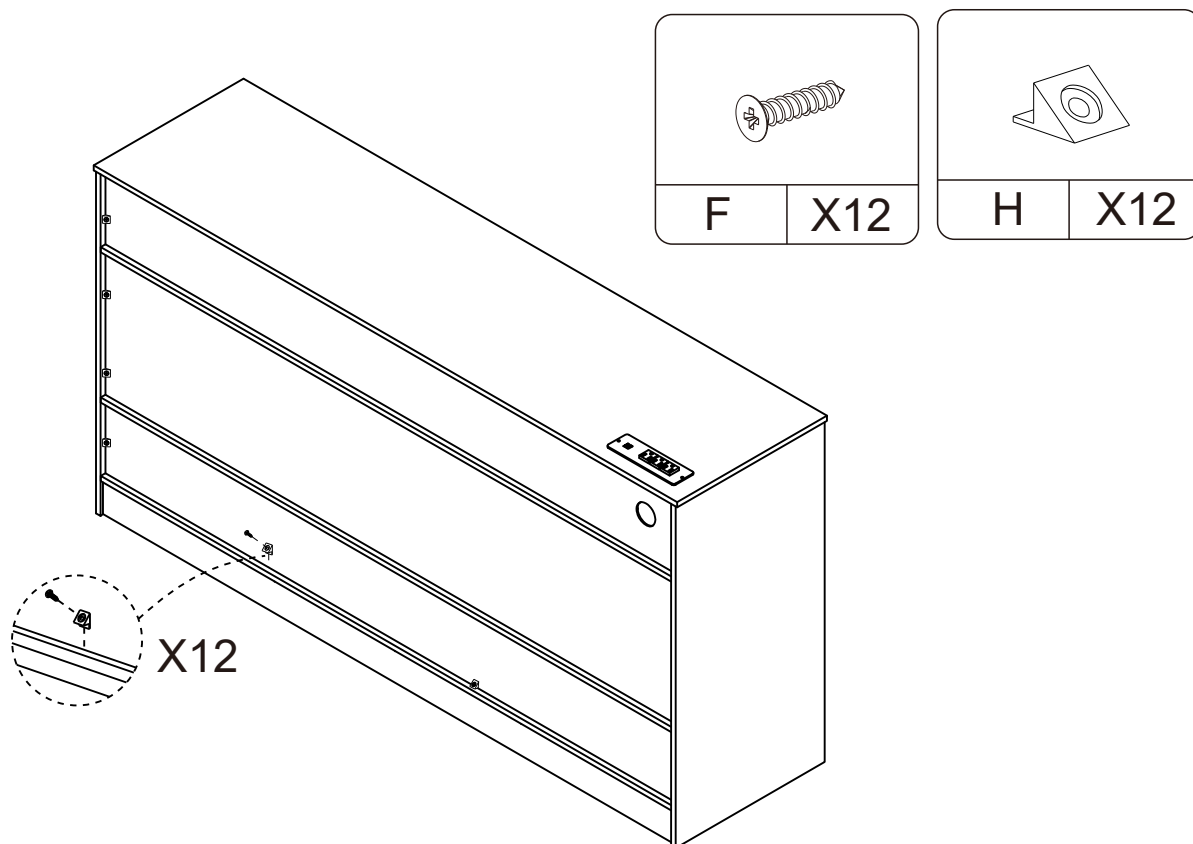


STEP20:



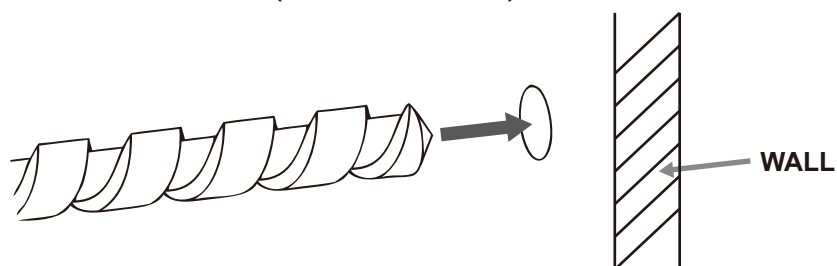
INSTALLATION STEPS

STEP27:

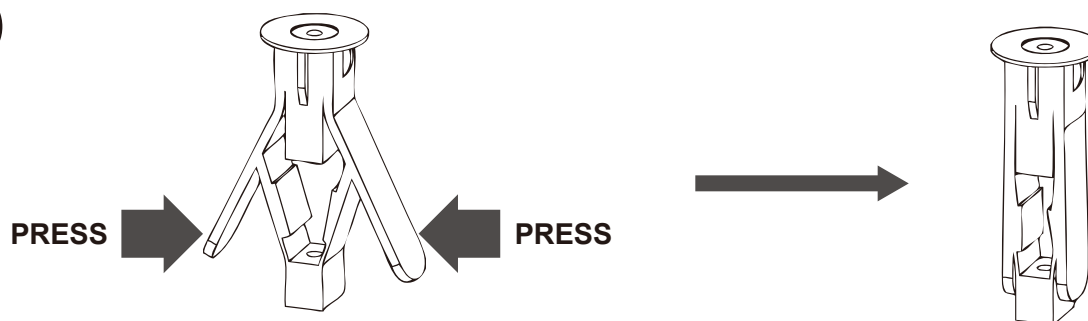


STEP28:

- ① Drill a hole in the solid wall (Wood wall or Concrete wall): using a 0.41~0.43 inches (10.5~11mm) drill bit.



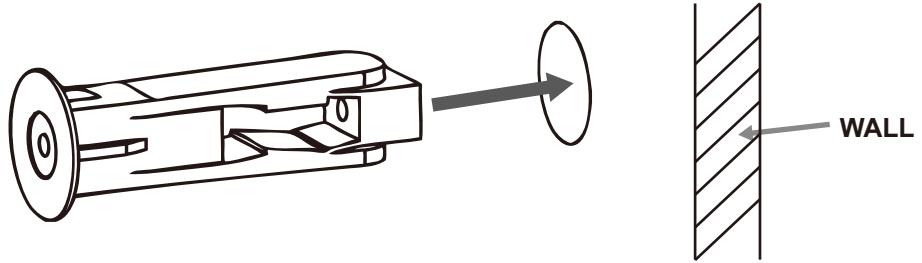
②



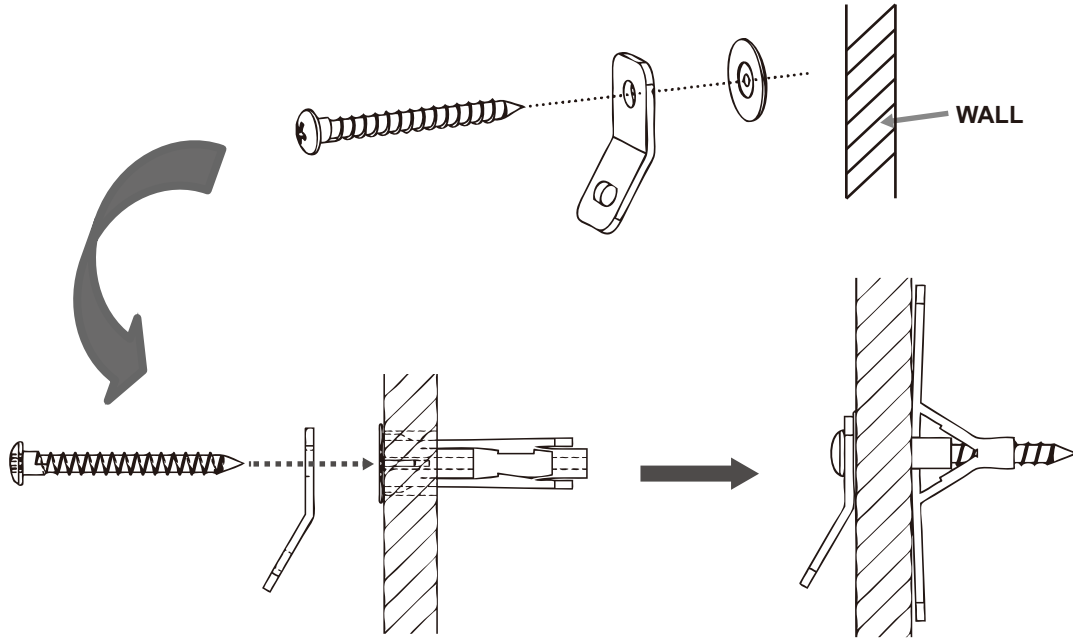
INSTALLATION STEPS

STEP 28:

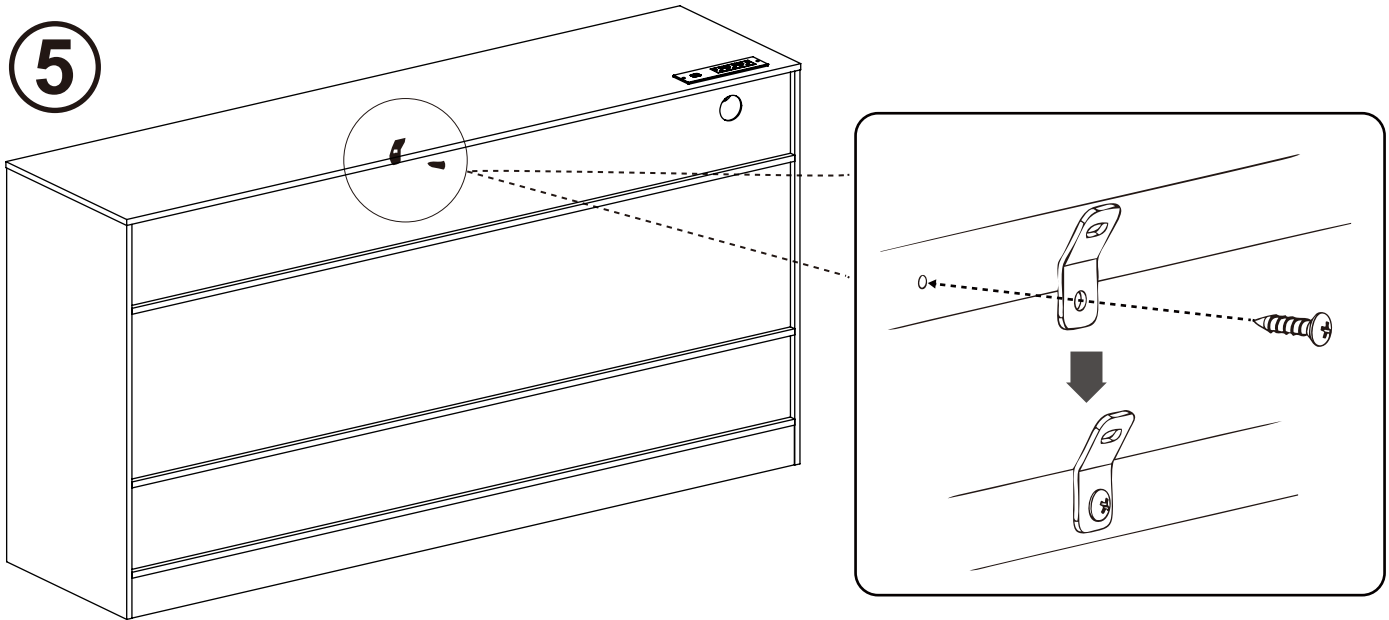
3



4



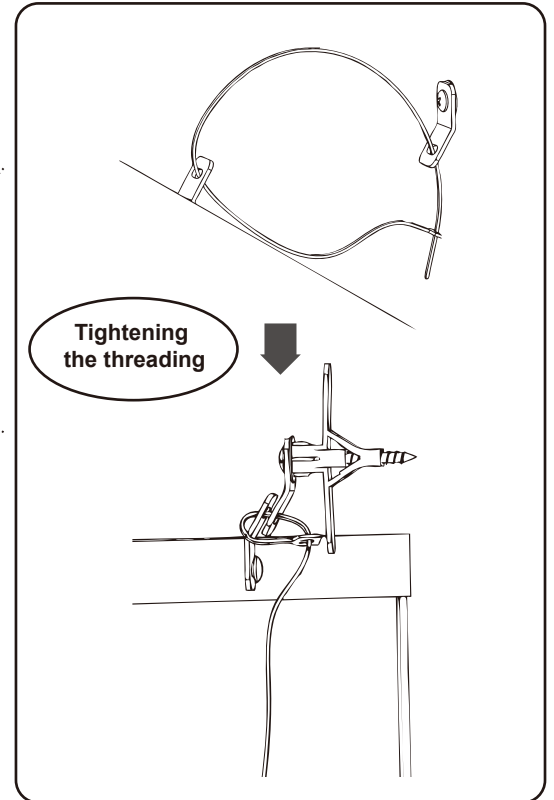
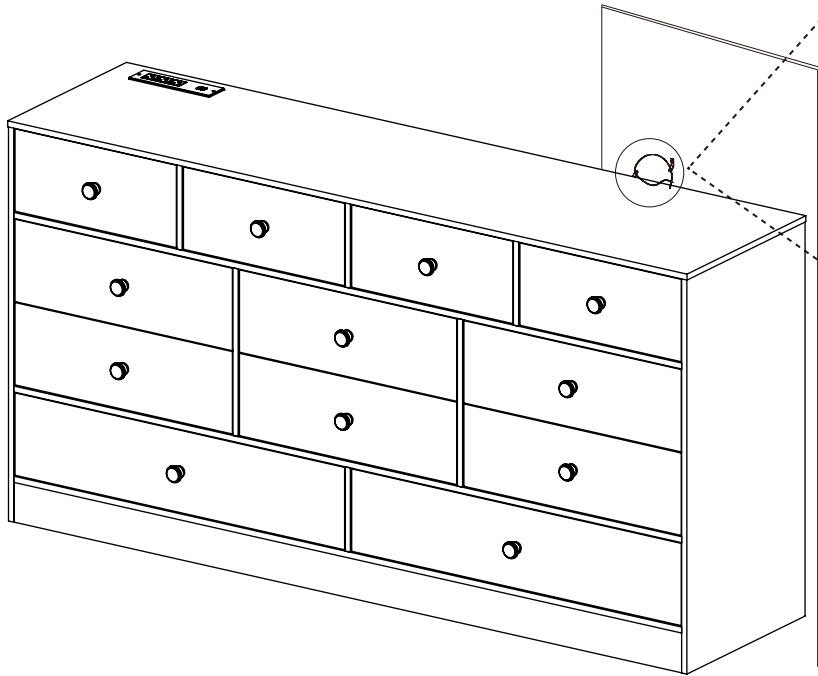
5



INSTALLATION STEPS

STEP 28:

⑥



Thank you for purchasing our products. Please contact us if you have difficulty with assembly or need replacement parts. Our customer service is here to assist you. Please attach your User Name and Order ID so that we can assist you better. support@jojoka.net