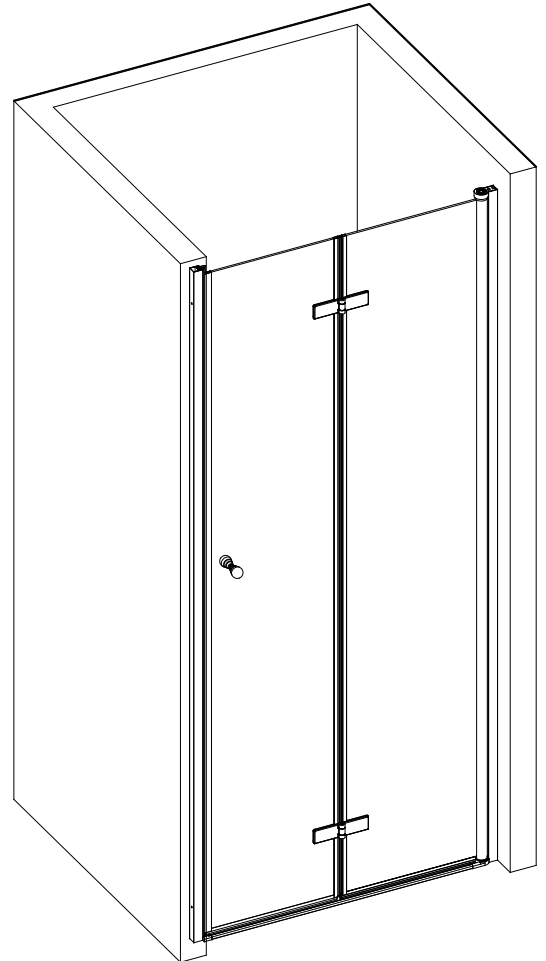
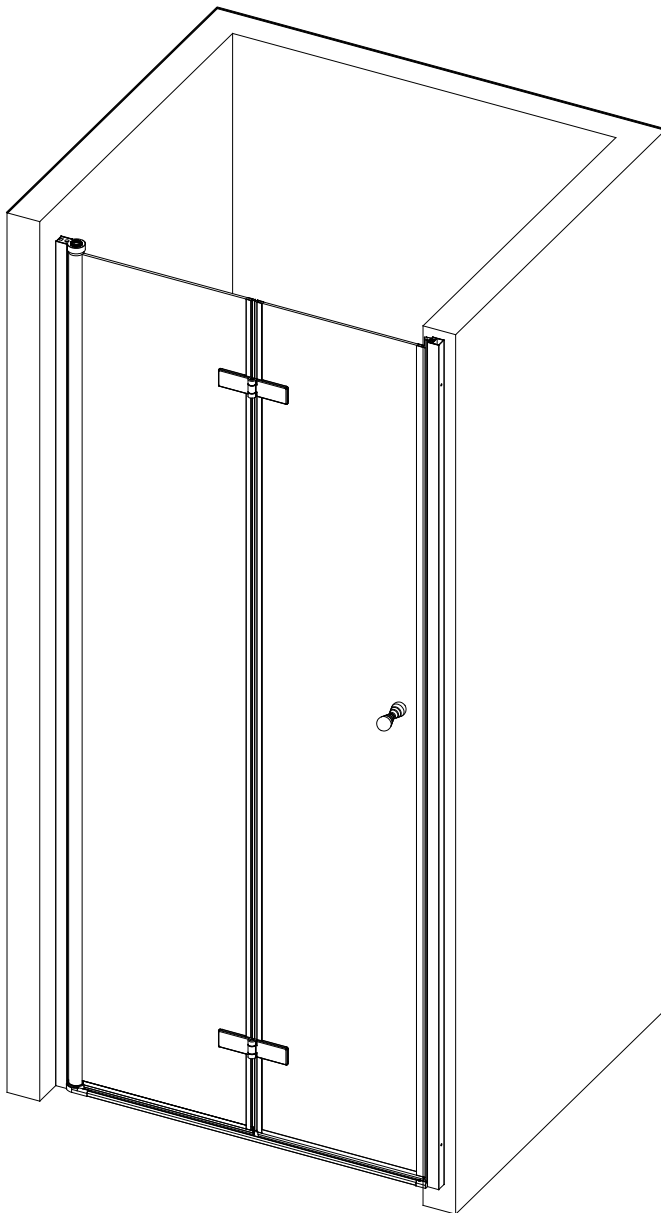


Shower Door Installation Instructions



Reversible For a Left or Right Door



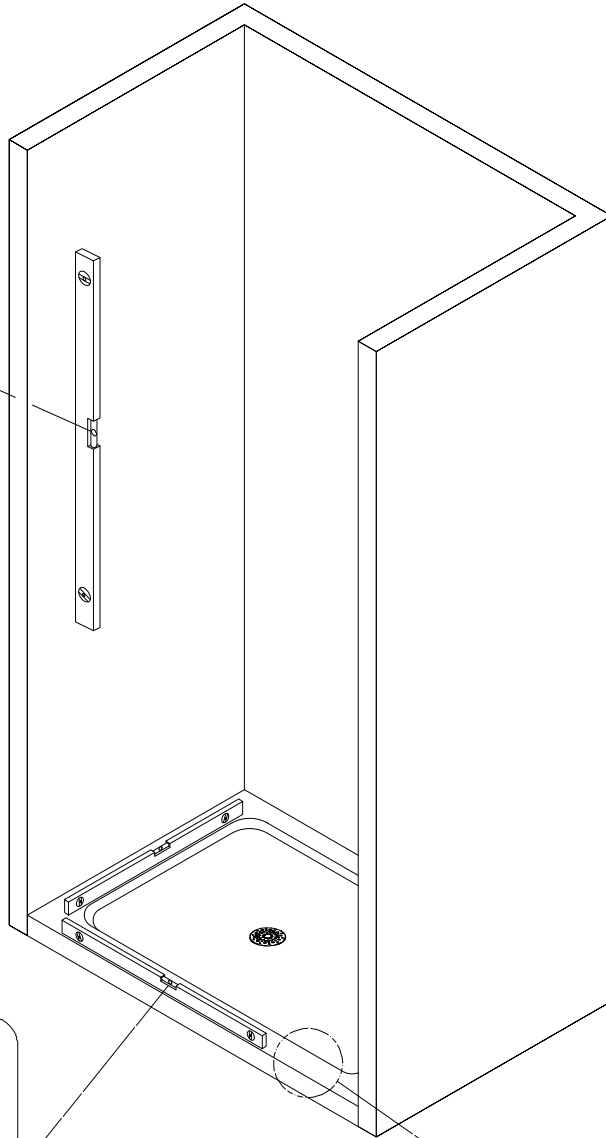
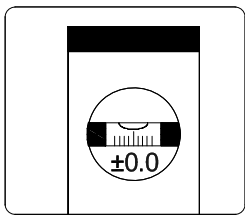
Warranty & Returns

Please do not return the product to the store. Contact us with any questions by scanning the QR code to get more services.

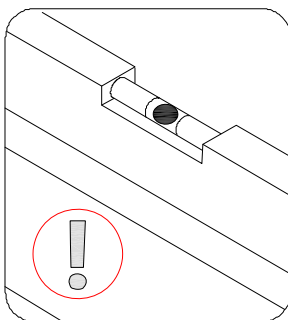
Model Specific Preparation



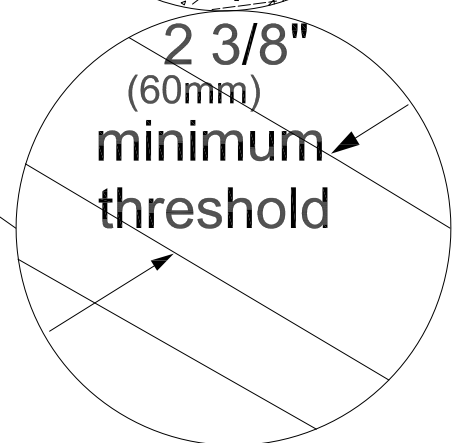
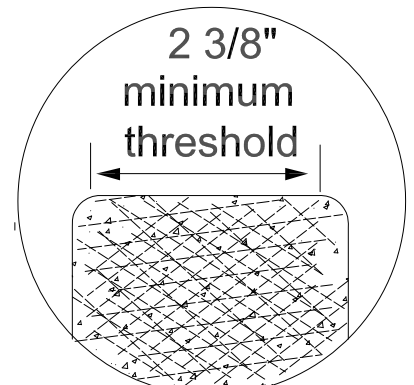
REQUIRED:



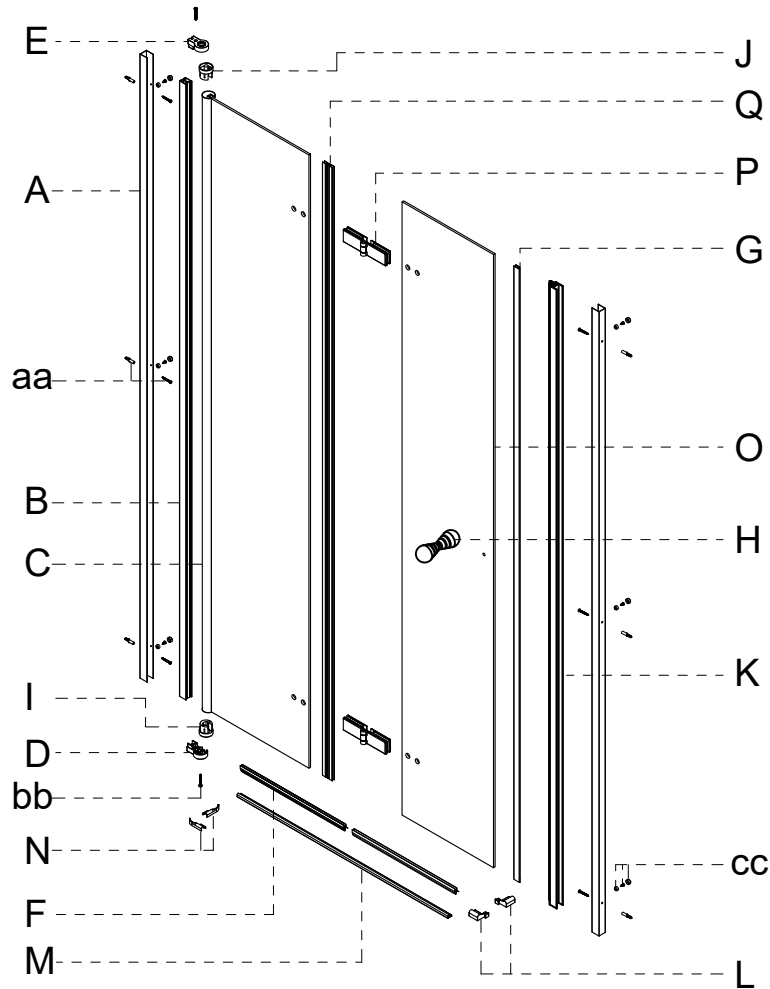
3/8" (10mm)
Out-of-Plumb
Adjustment within
the Wall Profile;
Verify threshold and
walls with a level.



Threshold must be level



PACKAGE CONTENT



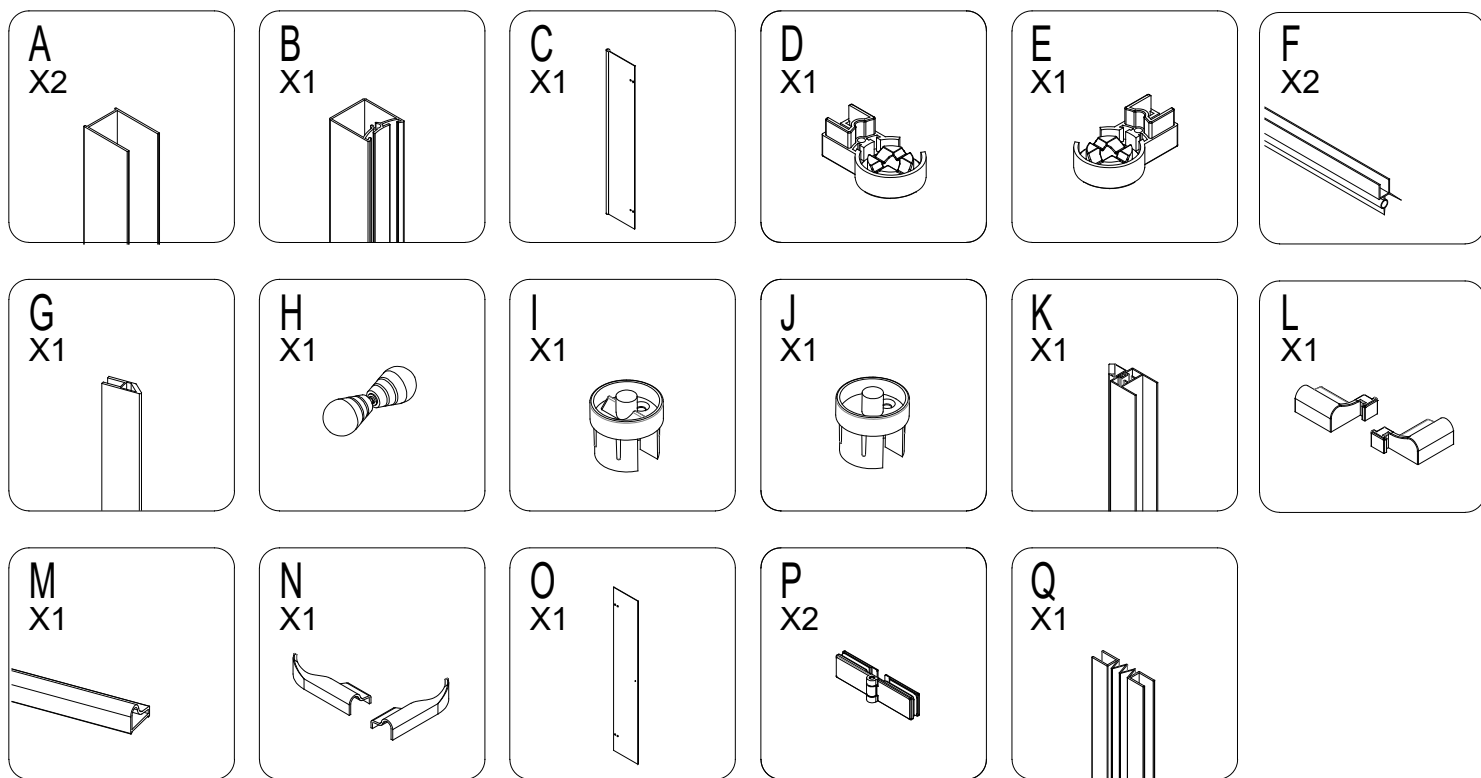
PACKAGE CONTENT

PART#	DESCRIPTION	QTY	PART#	DESCRIPTION	QTY
A	Wall Jamb	2	J	Up axis	1
B	Shaft seat	1	K	Wall magnetic strip	1
C	Door panel-1	1	L	Threshold Cap-1	1set
D	Rotating shaft seat L	1	M	Threshold	1
E	Rotating shaft seat R	1	N	Threshold Cap-2	1set
F	Bottom Gasket	2	O	Door panel-2	1
G	Magnetic stripe	1	P	Hinge	2
H	Handle	1	Q	Anti-Water Strips	1
I	Lower axis	1			

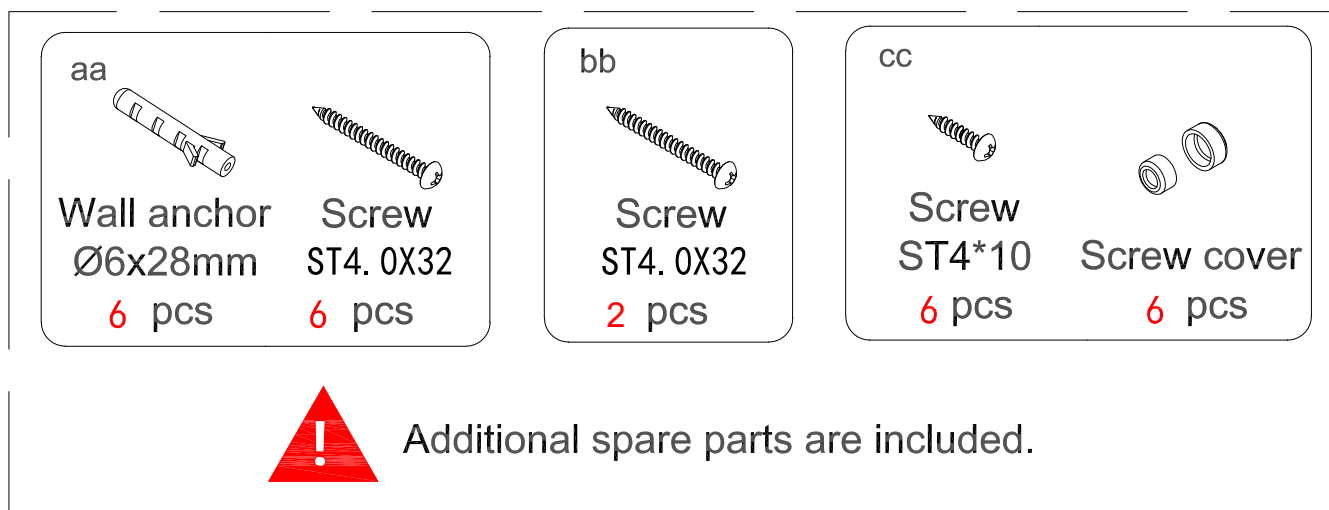
NOTE

Inspect all parts for missing prior to installation!
Contact us for any part missing.

PACKAGE CONTENT



HARDWARE CONTENT



NOTE

Inspect all parts for missing prior to installation!
Contact us for any part missing.


TOOLS REQUIRED

Drill Bits



3.2/6mm dia.
HSS

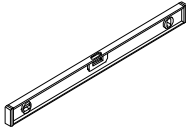
Screw Driver



Drill



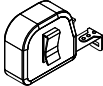
Level



Silicone



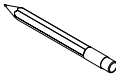
Measuring Tape



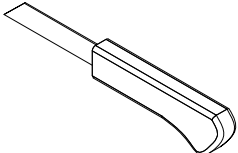
Soft Head Hammer



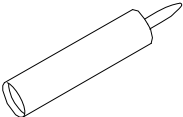
Pencil



Knife



Sealant



MASONRY DRILL BIT FOR TILE
Ø6mm



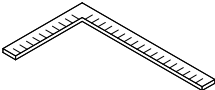
Safety Glasses



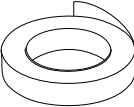
Glove



Carpenter's Squarer



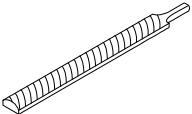
Masking or painter's tape



Hack Saw



Metal File



SAFETY INFORMATION

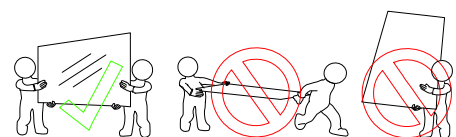
CAUTION

Please carefully read the following important safety information before handling or installing this shower. There is a risk of serious injury while handling this product.

To minimize these risks, please note:

- Always wear safety glasses and gloves while handling.
- Always follow the installation instructions.
- Inspect glass for damage before installation.
- Extreme caution should be taken while handling the glass during installation as the tempered glass may shatter if in contact with a hard surface.
- Do not cut or modify the tempered glass as it will shatter if cut.
- Carefully remove product from packaging and keep packaging until installation is complete.
- Inspect all parts for damage or missing; if there is damage or part missing to the unit prior to installation, please contact customer service at the number provided in this guide.
- Cover the drain with tape to prevent the loss of small parts.
- The shower base and finished walls should be installed before beginning the shower door installation.
- During the installation, protect the shower floor with a drop cloth to avoid damage.
- This product should be installed by two people who are familiar with construction requirements. Professional installation is recommended!
- Keep this installation manual for future reference.

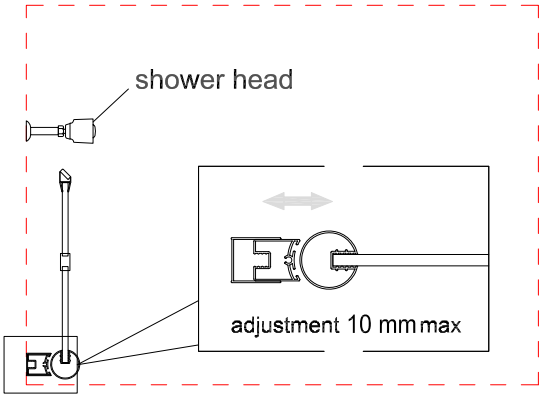
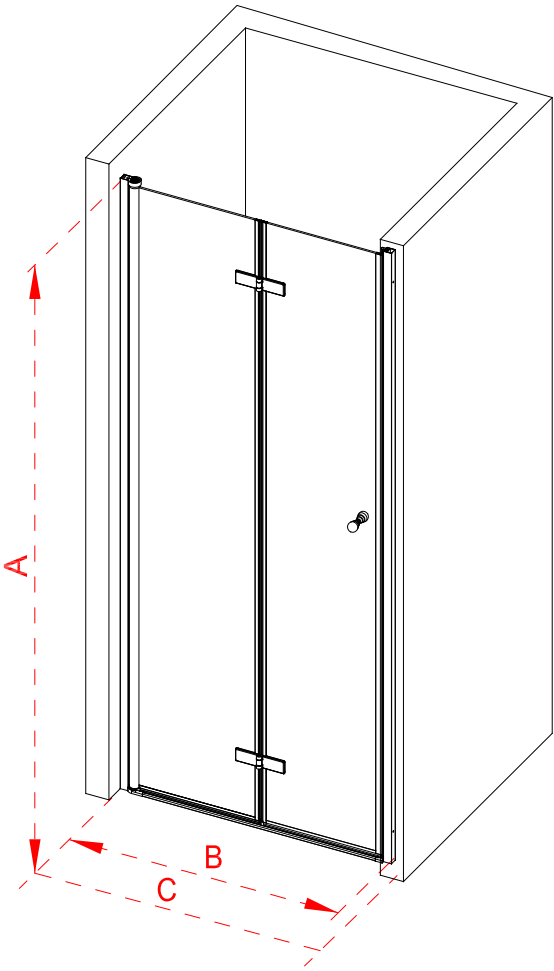
NOTE: Two people should perform this installation.



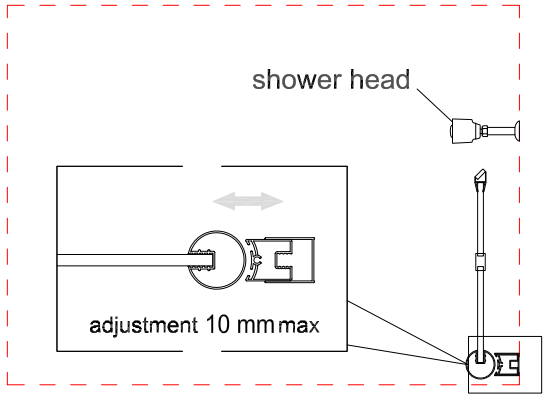
Model Dimensions

configuration dimensions:

A Product Height	B Model width	C Installation width
72"	32"	31.2"~32"
	34"	33.2"~34"
	36"	35.2"~36"



Left pivot

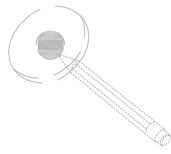
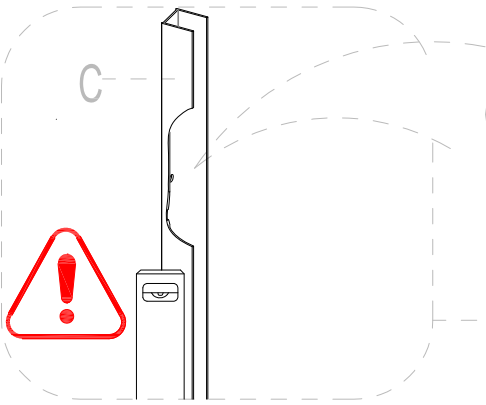


Right pivot

NOTE

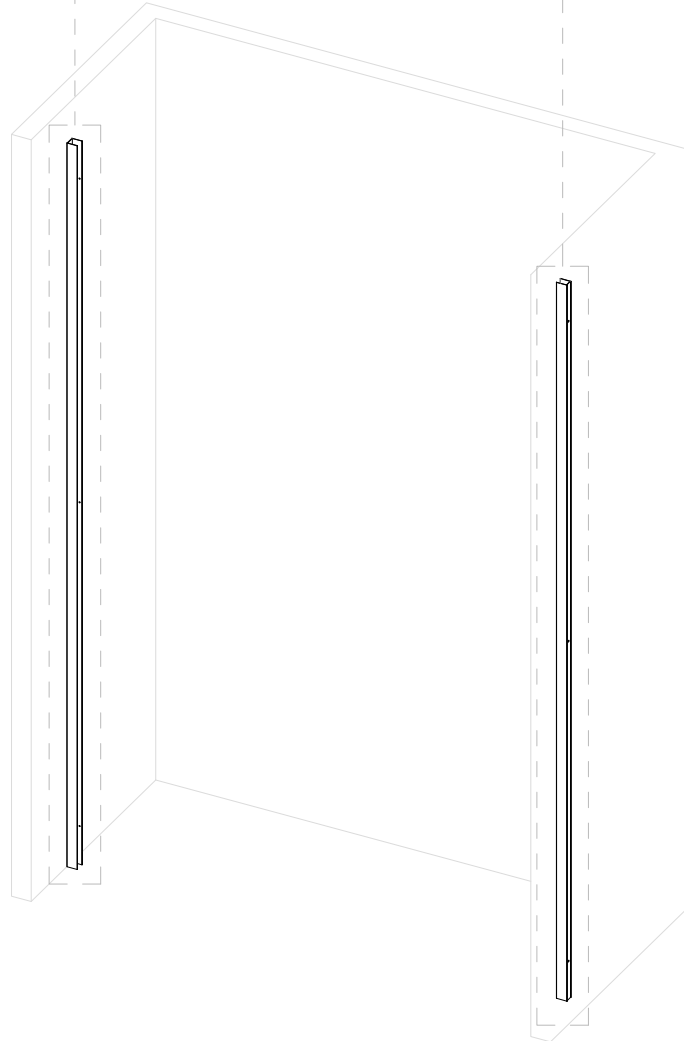
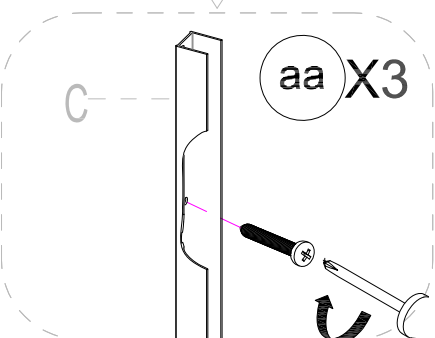
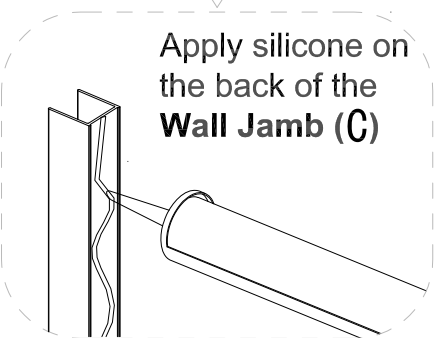
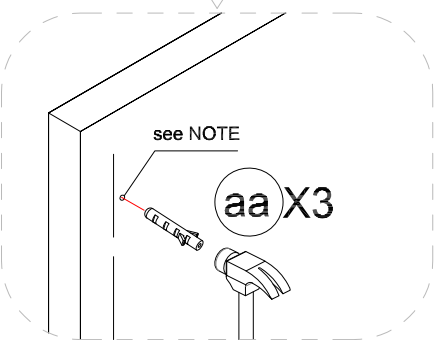
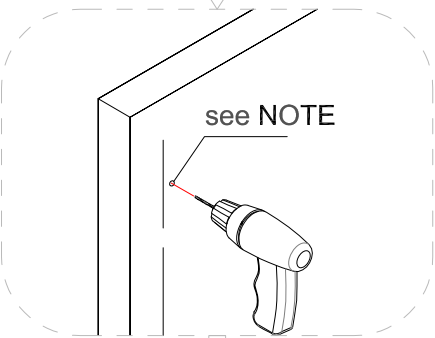
This model is reversible for right or left-hand door installation. The left-hand door installation is shown throughout this manual. For the right-hand door installation, simply begin on the opposite wall and reverse the orientation of the installation steps shown.

Wall Jamb (A) Installation



NOTE

Confirm the Wall jamb is plumb with a level before marking the location of the holes for drilling.



NOTE

Wall jamb (A) must be in line with the Center of Threshold.

NOTE

- If a Stud is present behind the wall: drill a $\text{Ø}3/16$ " (4mm) hole up to the stud, drill an $\text{Ø}1/8$ " (3mm) pilot hole into the stud and use the ST4.0 x 30mm Pan Head Screws (aa) OR
- If No Stud is present behind the wall: drill a $\text{Ø}1/4$ " (6mm) hole and insert the Wall Anchors (aa) and use the ST4.0 x 30mm Pan Head Screws (aa).

Aluminum material (B) Installation

Rotating shaft seat L (D) Installation

Lower axis (I) Installation

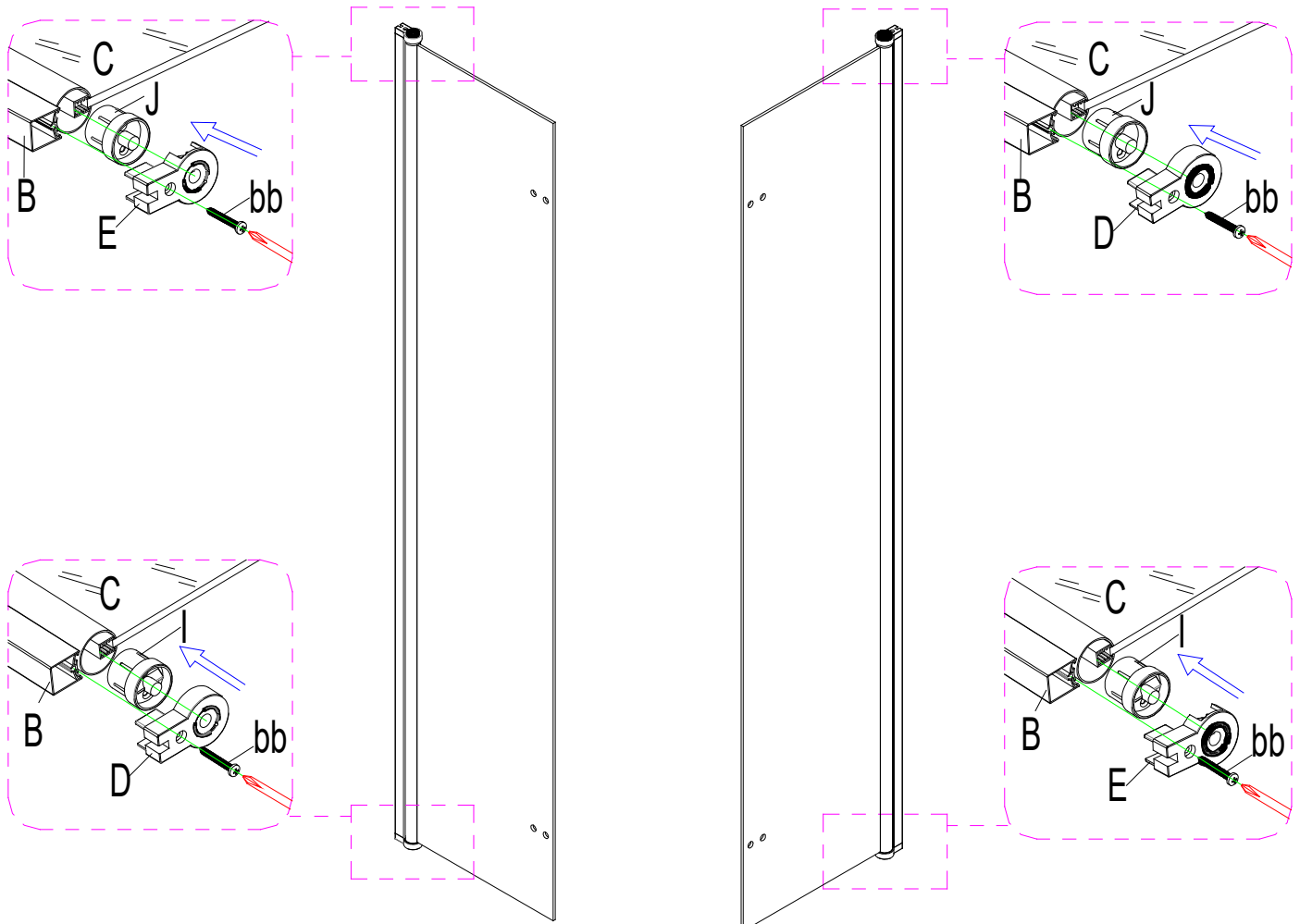
Door panel-1 (C) Installation

Rotating shaft seat R (E) Installation

Up axis (J) Installation

Left-side installation

Right-side installation



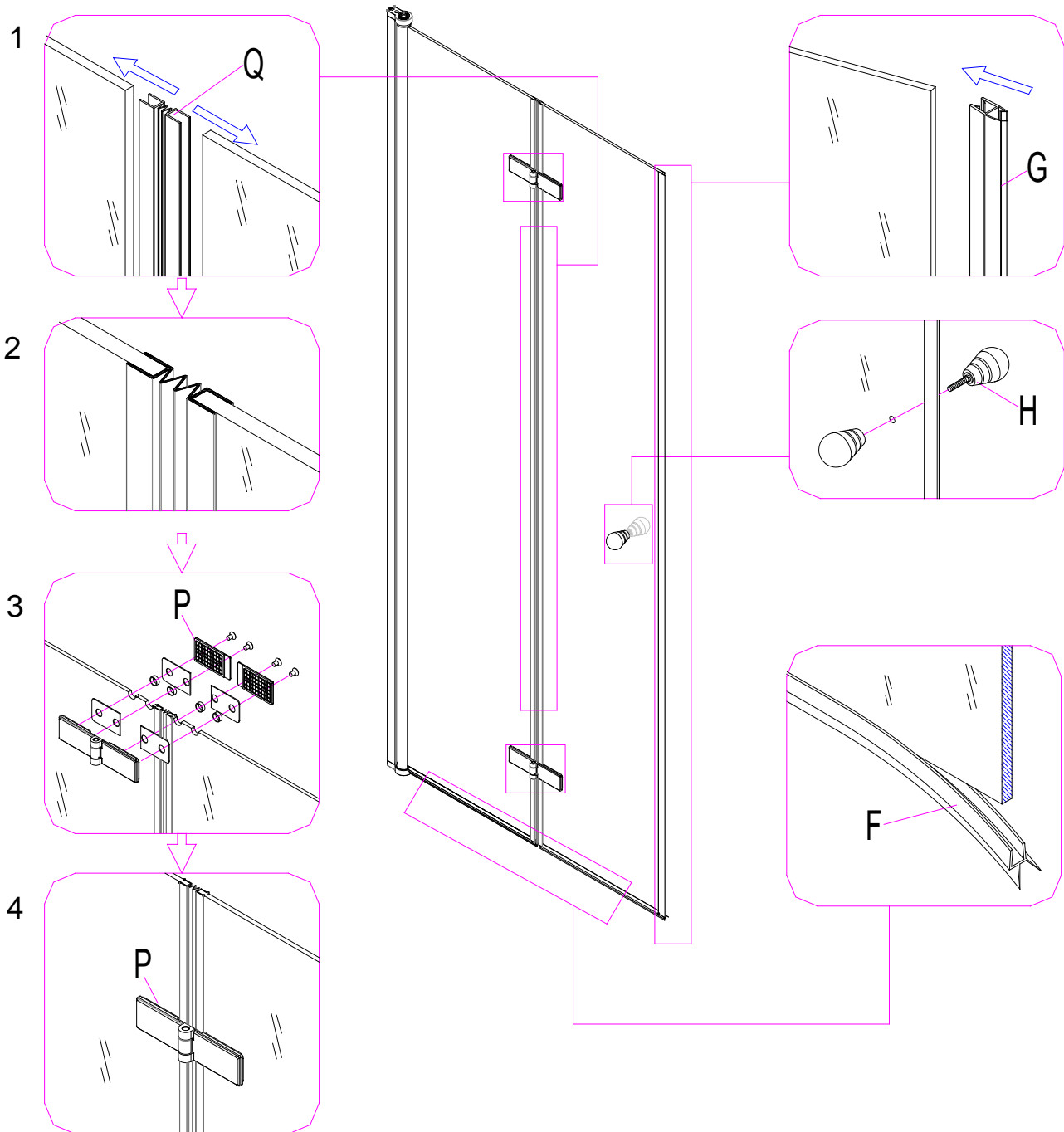
NOTE

During installation, it is necessary to first determine the direction to be used, and then select the corresponding accessories for installation based on the left or right installation steps.

- Bottom Gasket (F) Installation
- Magnetic stripe (G) Installation
- Handle (H) Installation
- Hinge (P) Installation
- Middle water barrier stripe (Q) Installation

NOTE

Install magnetic stripe (G) Pay attention to the direction



NOTE

Install the bottom water stopper (F), pay attention to the beveled side inside the shower room!

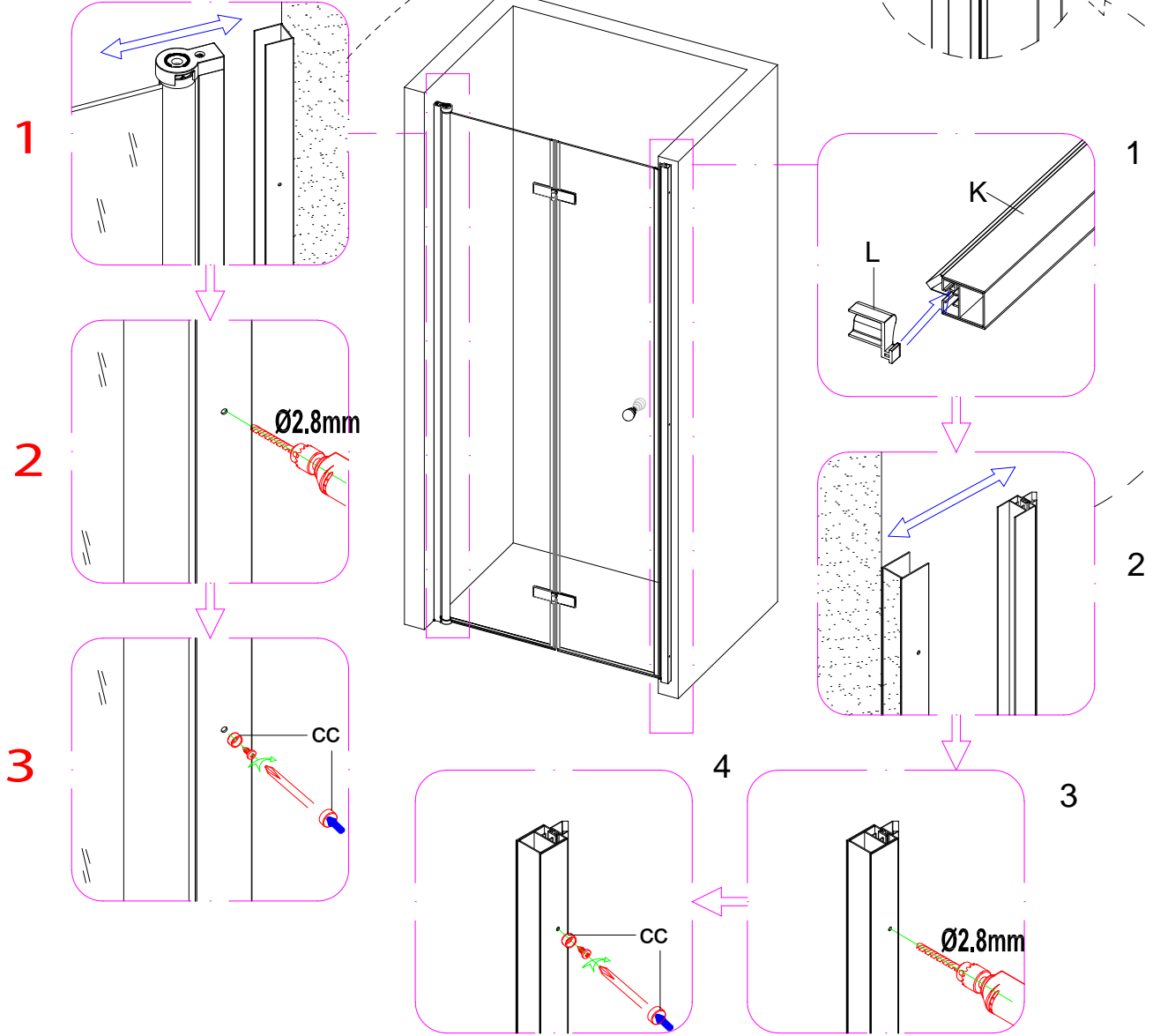
Wall mounted magnetic strip aluminum (K) Installation

Threshold Cap-1 (L) Installation

NOTE

The Door panel Profiles can be adjusted up to 10mm within the Wall Jamb for overall width or to correct for out-of-plumb conditions within the model size. Screw them together after making final adjustments.

adjustment 10 mm max

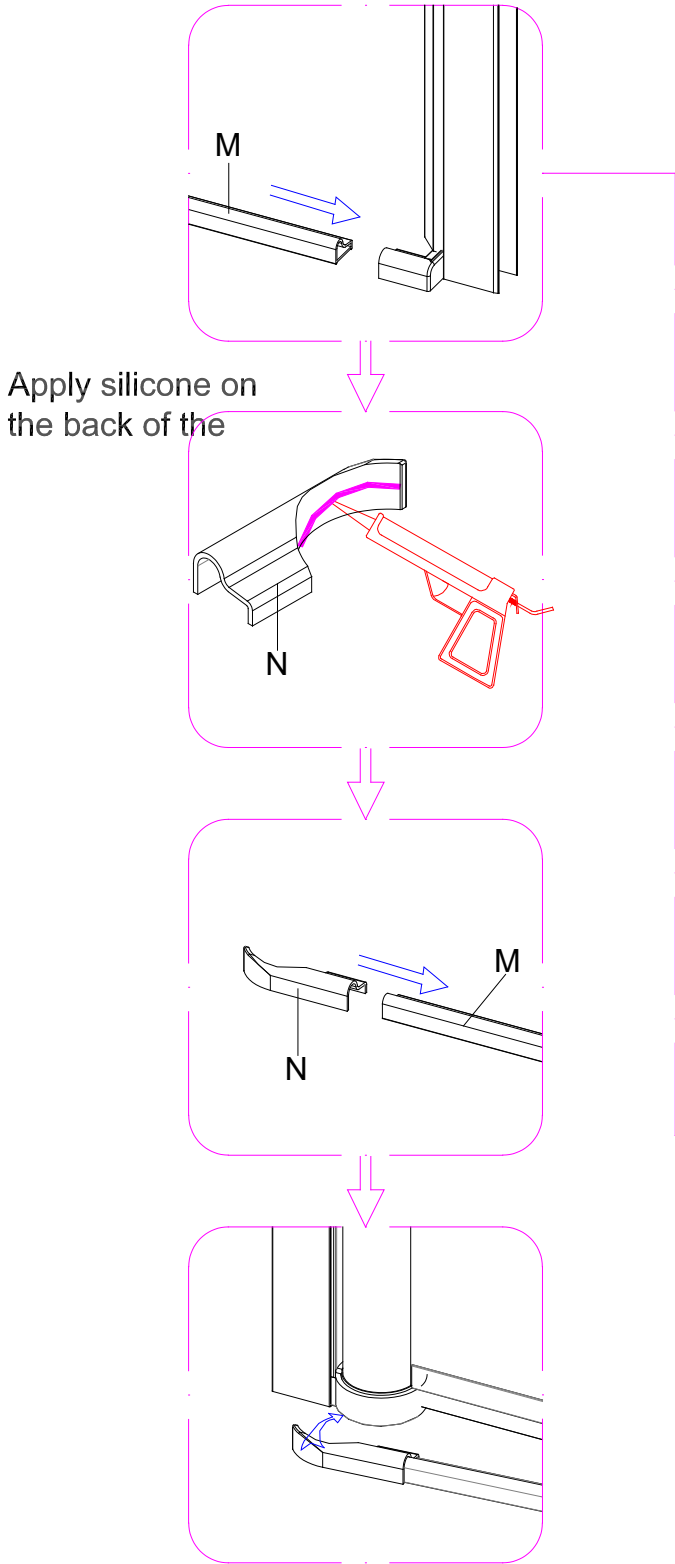


NOTE

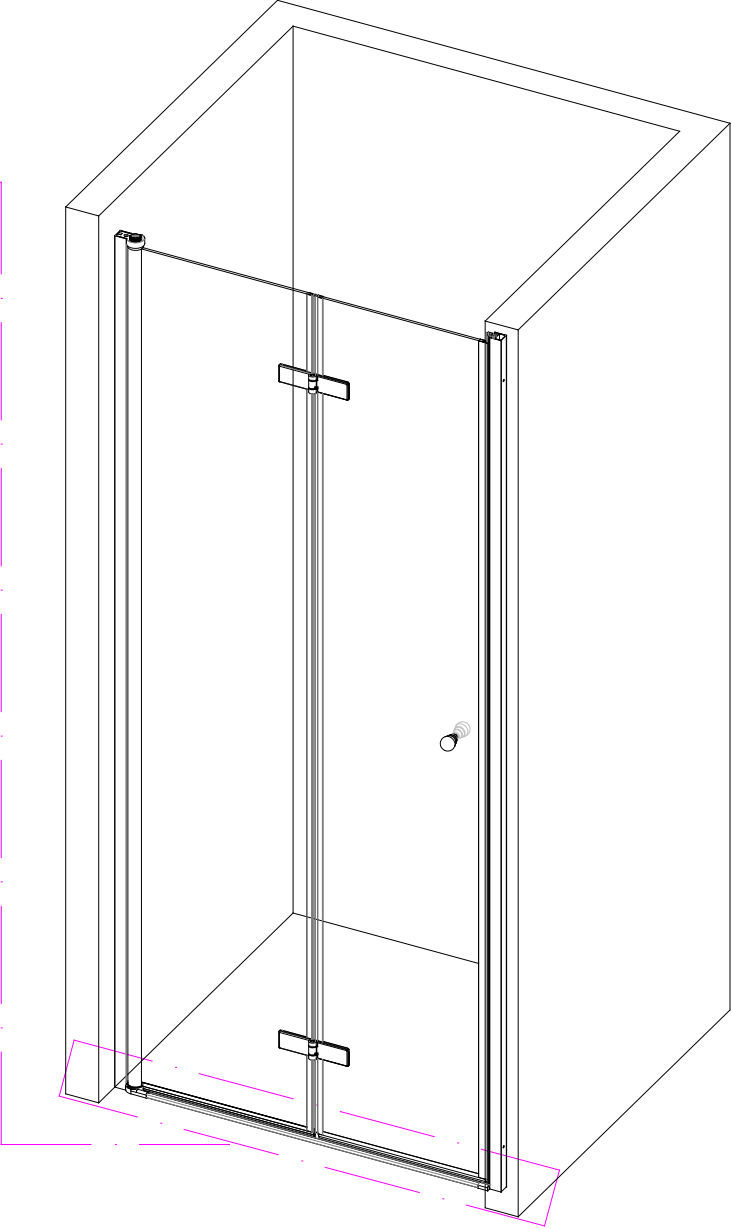
Adjust the level of the shower screen: Use a level ruler to adjust the level of the shower screen, and the bottom retaining strip should be in contact with the floor/base, and then lock the side screws of the shower screen

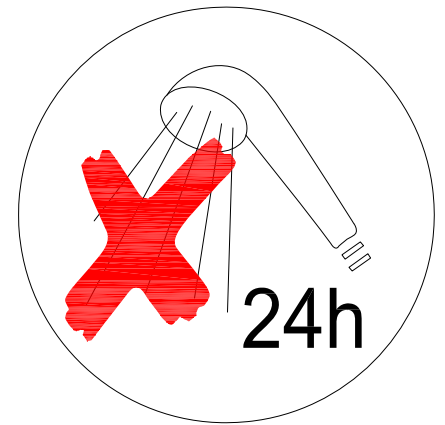
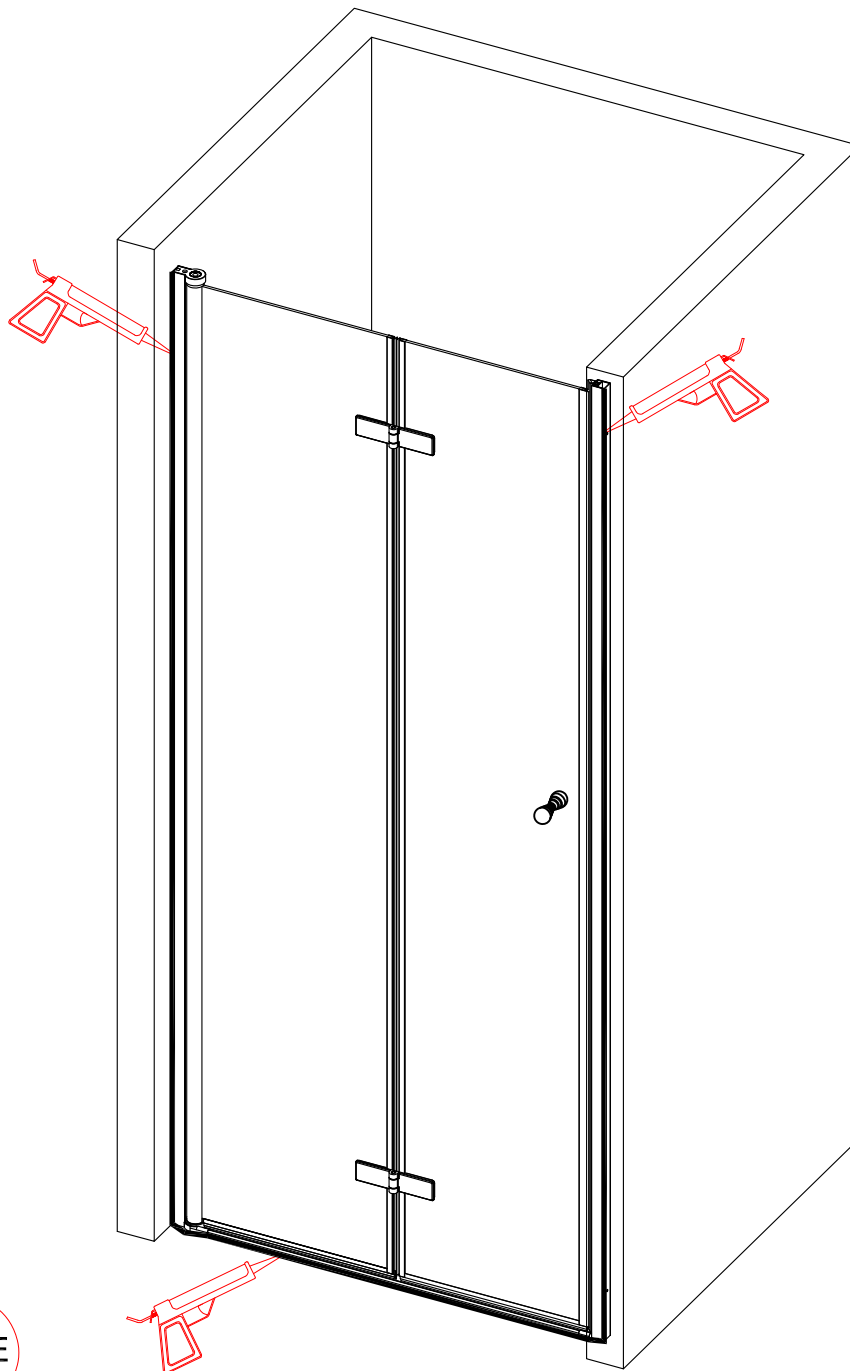
Alu.Threshold (M) Installation

Threshold Cap-2 (N) Installation



Apply silicone on the back of the





NOTE

To ensure complete tightness, we recommend sealing the external joints between the wall and the profile and its entire height, as well as the joints between the profile and the floor/base, with glass glue, as shown in the image above. It is recommended to use sterilizing and fungicidal sanitary silicone to ensure its permanence. Note: Let stand for 24 hours before use!