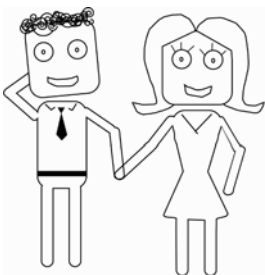
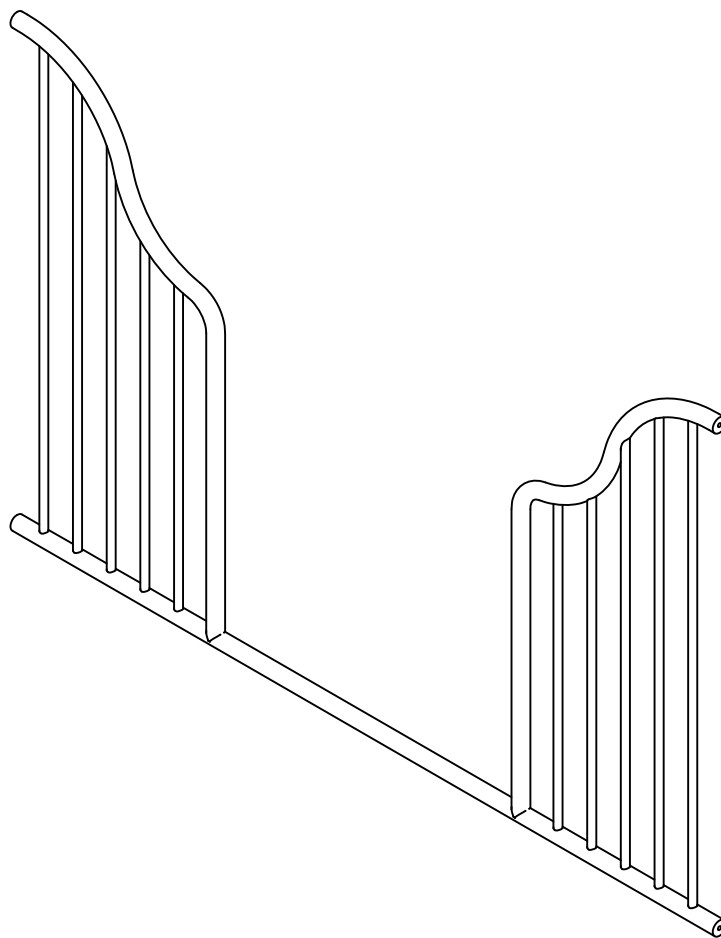


JIX6847

Metal Toddler Rail Conversion Kit

Keep this Assembly Manual for future reference.



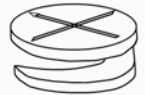
Two adults
recommended
for assembly

This product is not intended for commercial use.

Do NOT return this product.

Helpful Hints

- Open your item in the area you plan to keep it for less heavy lifting
- Identify, sort and count the parts before attempting assembly
- Compression dowels are tapped in with a hammer
- Slides are labeled with an R (right) and L (left) for proper placement
- Make sure to always face the point on the top of the Can Lock towards the outer edge
- Use all the nails provided for the back panel and spread them out equally
- Back panel must be used to make sure your unit is sturdy
- Do NOT use harsh chemicals or abrasive cleaners on this item
- Never push, pull, or drag your furniture



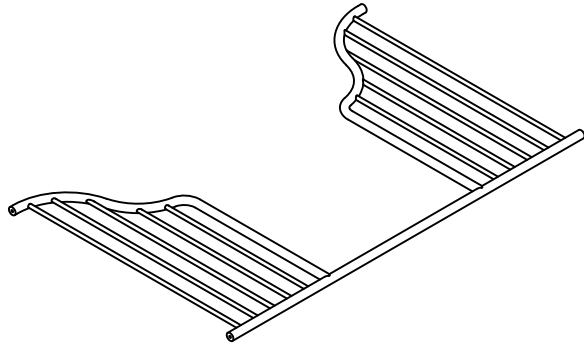


Warning



- * Failure to follow these warnings and assembly instruction could result in serious injury or death.
- * Read all instructions before assembling this product. **KEEP INSTRUCTIONS FOR FUTURE USE.**
- * **INFANTS HAVE DIED IN TODDLER BEDS FROM ENTRAPMENT.**
Openings in and between bed parts can entrap head and neck of a small child. NEVER use bed with children younger than 15 months. ALWAYS follow assembly instructions. The maximum weight for this bed cannot exceed 50 lbs.
- * **STRANGULATION HAZARD**
NEVER place bed near windows where cords from blinds or drapes may strangle a child.
NEVER suspend strings over bed.
NEVER place items with a string, cord, or ribbon, such as hood strings or pacifier cords, around a child's neck. These items may catch on bed parts.
- * Check this product for damaged hardware, loose joints, loose bolts or other fasteners, missing parts or sharp edges before assembly and frequently during use. Securely tighten loose bolts and other fasteners. DO NOT use this product if any parts are missing, damaged or broken. Contact a customer service representative at 1-800-489-3351 for replacement parts and instructional literature if needed. DO NOT substitute parts.
- * To help prevent strangulation tighten all fasteners. A child can trap parts of the body or clothing on loose fasteners.
- * If refinishing, use a non-toxic finish specified for children's products.
- * Never use plastic shipping bags or other plastic film as mattress covers because they can cause suffocation.
- * **ENTRAPMENT HAZARD**
To avoid dangerous gaps, any mattress used in this bed shall be a full-size crib mattress at least 51 5/8 in. (1310 mm) in length, 27 1/4 in. (690 mm) in width, and a max thickness of 6 in. (150 mm).

Board Identification

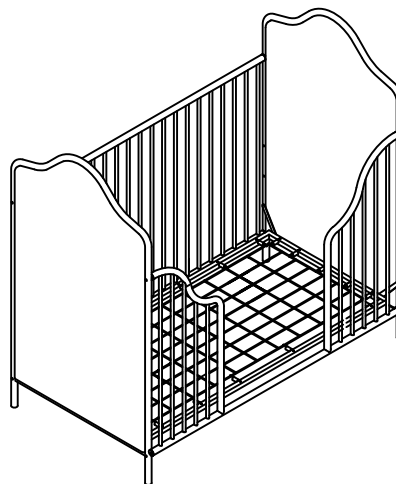
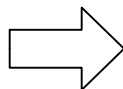
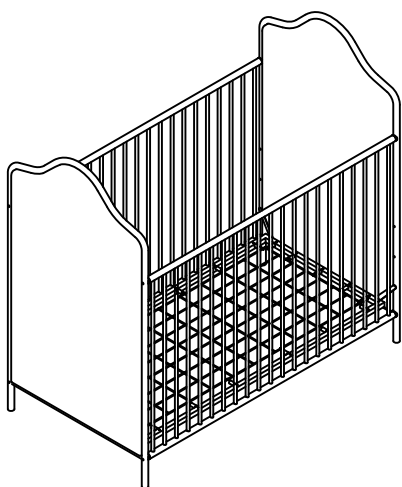


Ⓐ

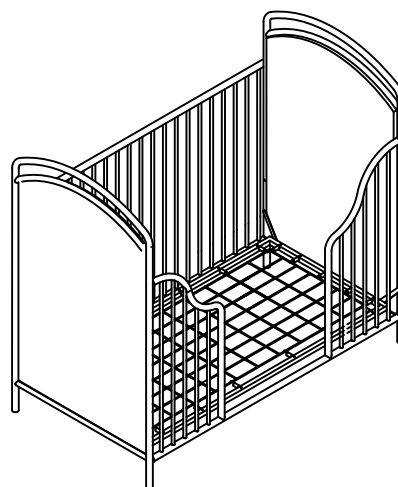
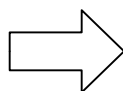
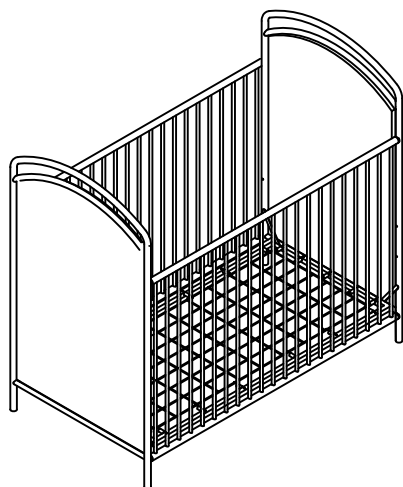
SIDE FRAME
1pc

Warning:

This metal toddler rail conversion kit is to be used to replace the side frame on the matched crib to get a toddler bed.

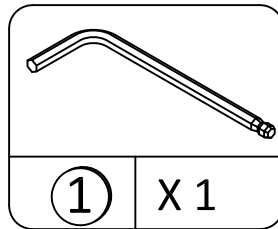


or



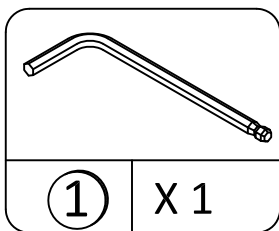
Parts List

Not Actual Size

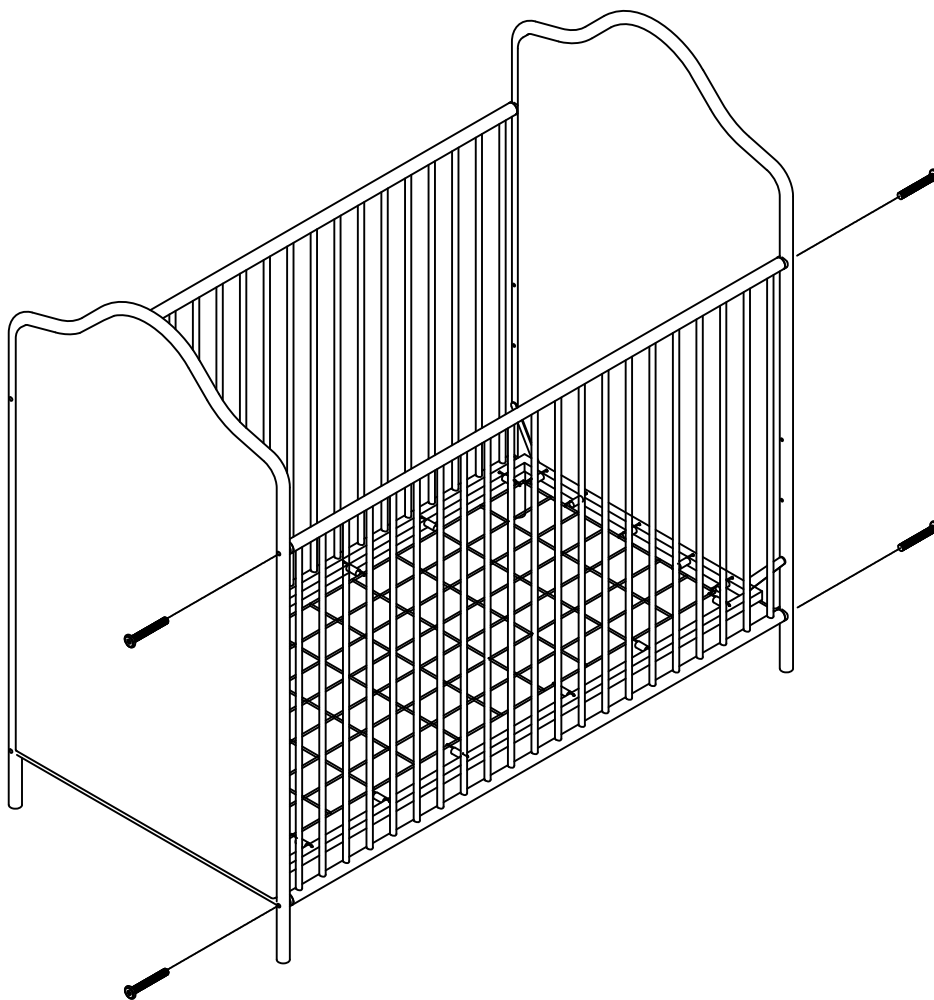


M4 HEX KEY

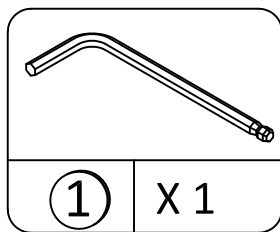
STEP 1



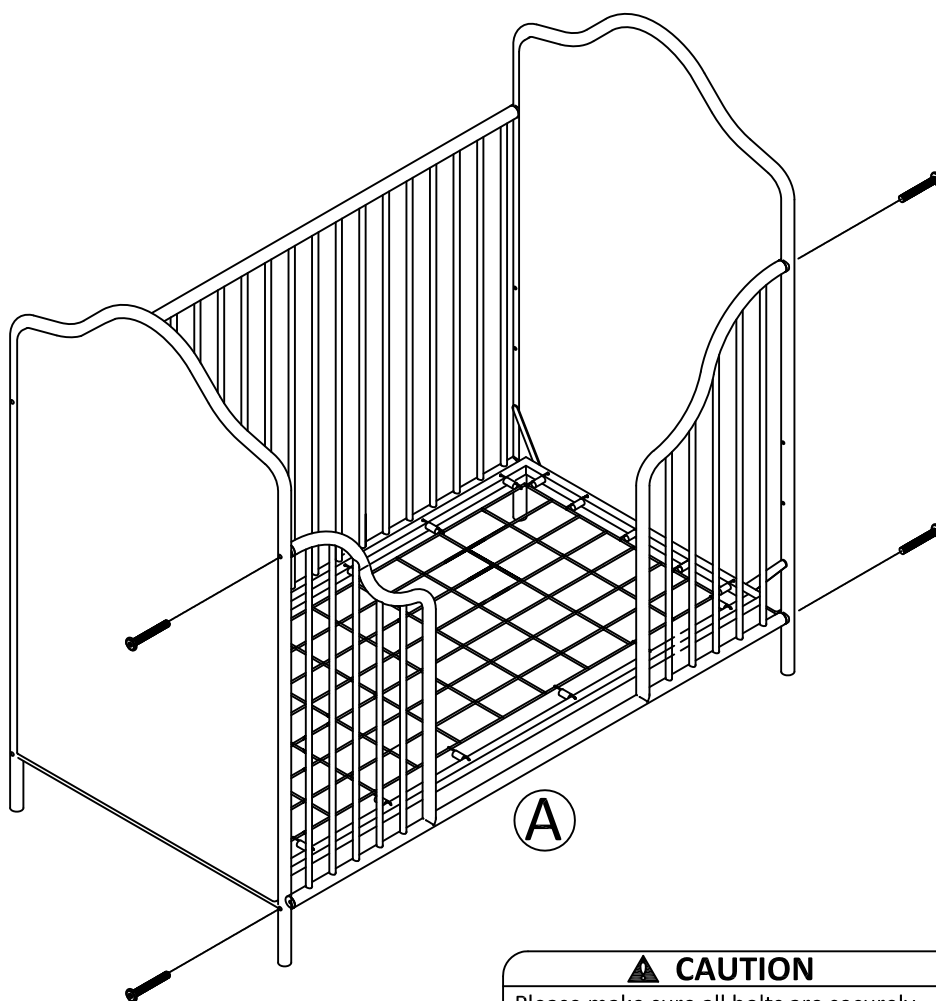
Remove the original side frame from the crib as shown.



STEP 2



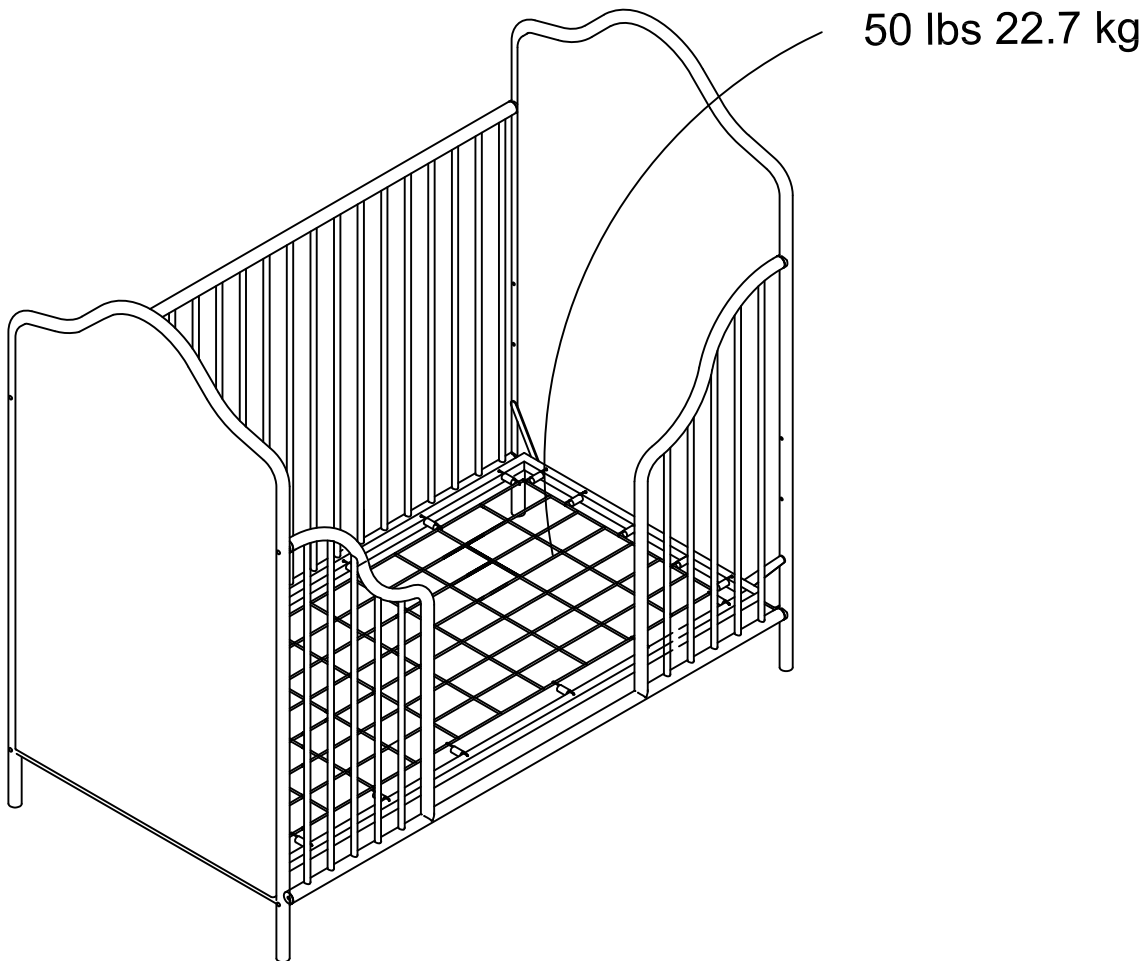
Attach the side frame (A) to the components from step 1 as shown.



⚠ CAUTION
Please make sure all bolts are securely tightened. Failure to do so may result in collapse of unit, property damage or injury.

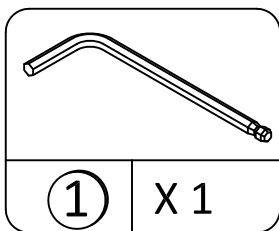
MAXIMUM LOADS

This unit has been designed to support the maximum loads shown. Exceeding these load limits could cause sagging, instability, product collapse, and/or serious injury. Please make sure that all objects are removed before moving the assembled unit. The unit must be team lifted, not dragged or pushed. Failure to do so could cause instability, product collapse, and/or serious injury.

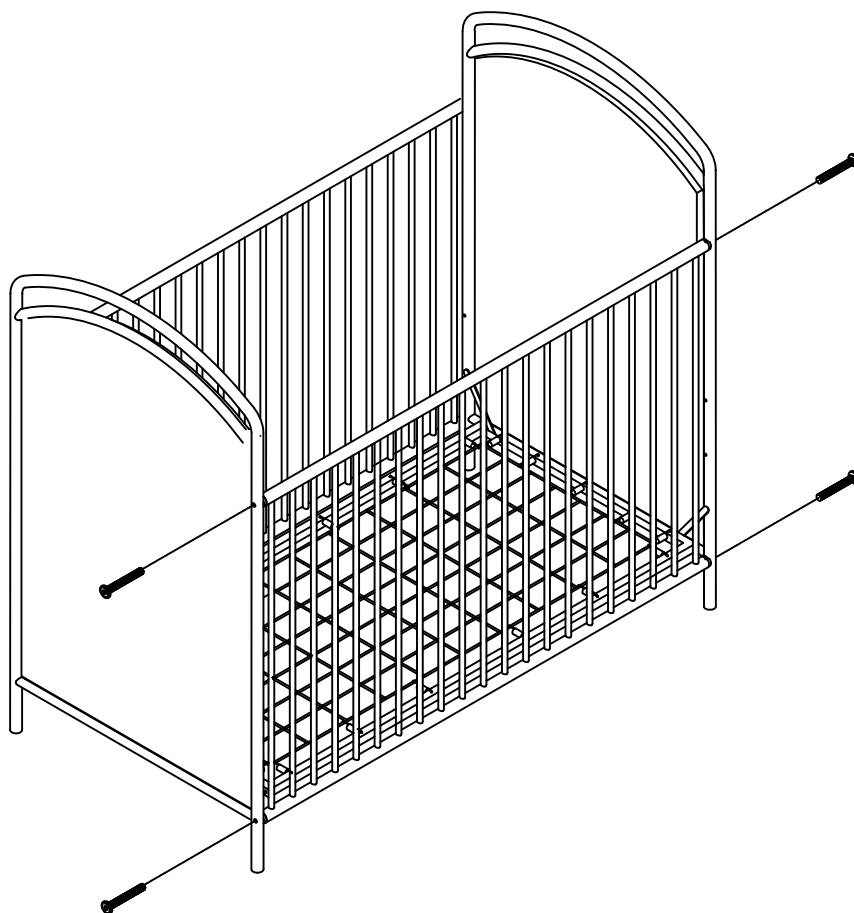


Warning: Risk of injury to persons - Do Not place a television on this furniture. This furniture is not approved for use with a television.

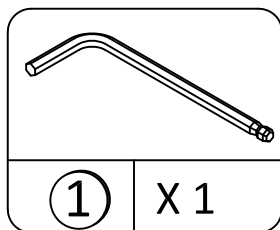
STEP 1



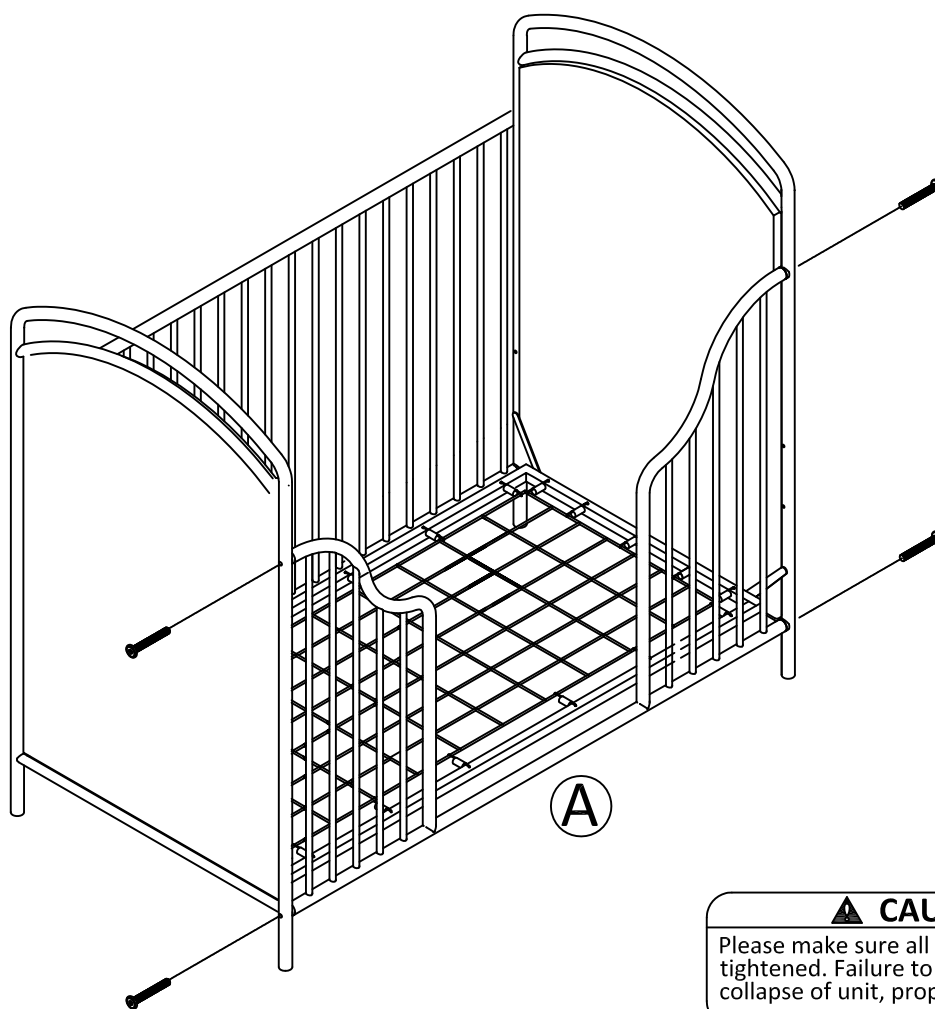
Remove the original side frame from the crib as shown.



STEP 2



Attach the side frame (A) to the components from step 1 as shown.

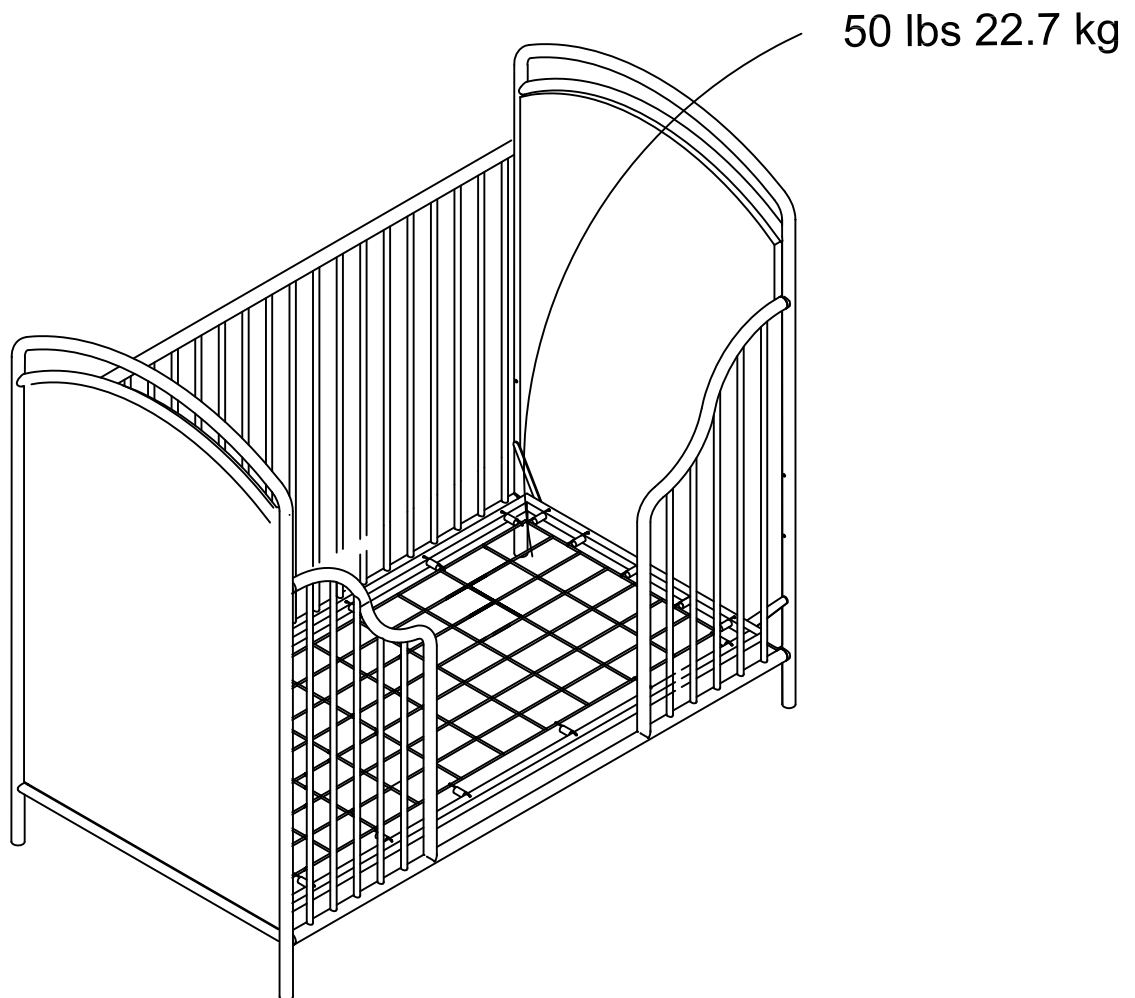


▲ CAUTION

Please make sure all bolts are securely tightened. Failure to do so may result in collapse of unit, property damage or injury.

MAXIMUM LOADS

This unit has been designed to support the maximum loads shown. Exceeding these load limits could cause sagging, instability, product collapse, and/or serious injury. Please make sure that all objects are removed before moving the assembled unit. The unit must be team lifted, not dragged or pushed. Failure to do so could cause instability, product collapse, and/or serious injury.



Warning: Risk of injury to persons - Do Not place a television on this furniture. This furniture is not approved for use with a television.