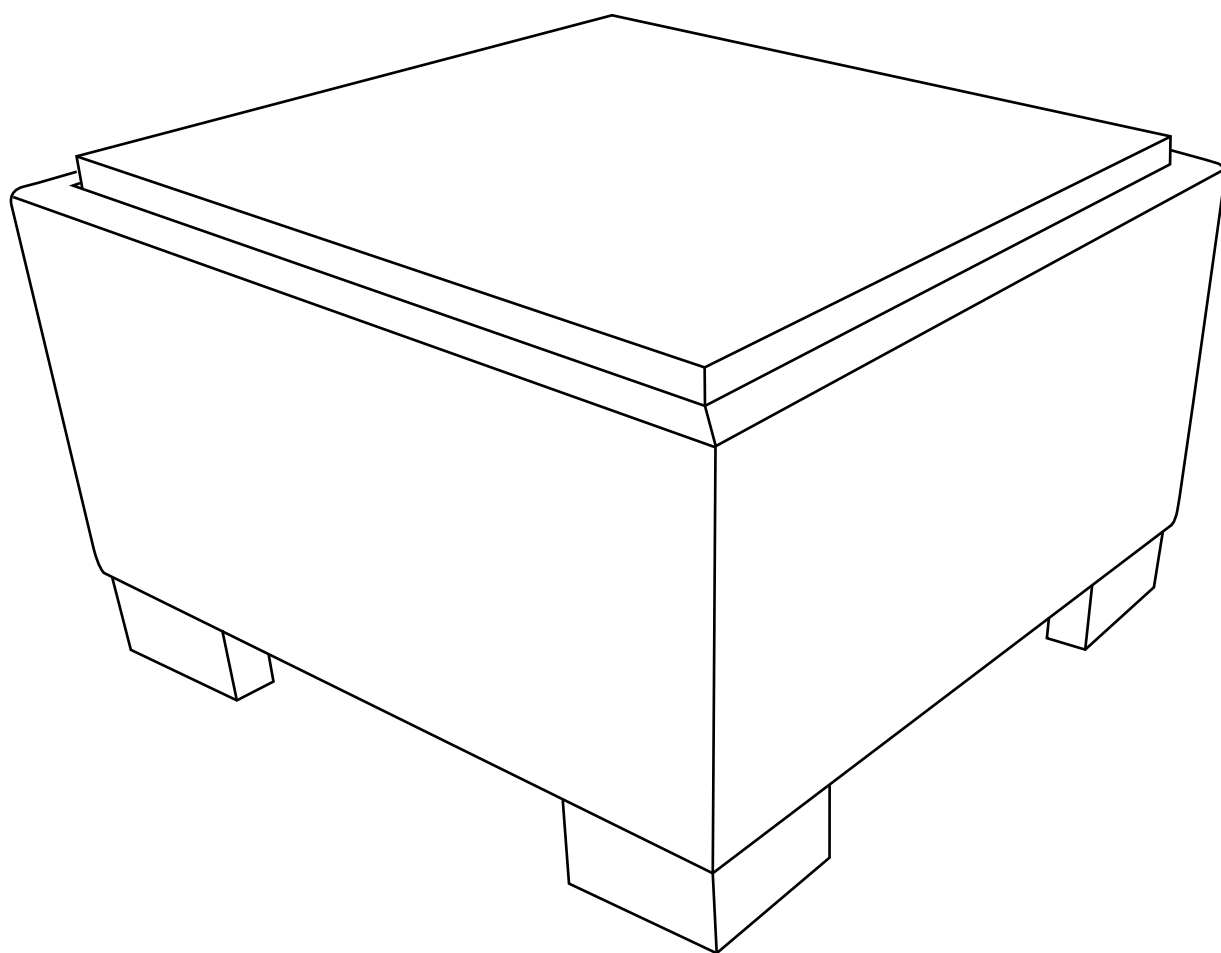
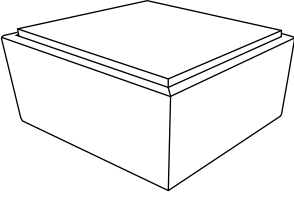
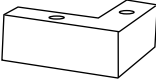

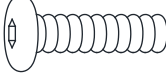


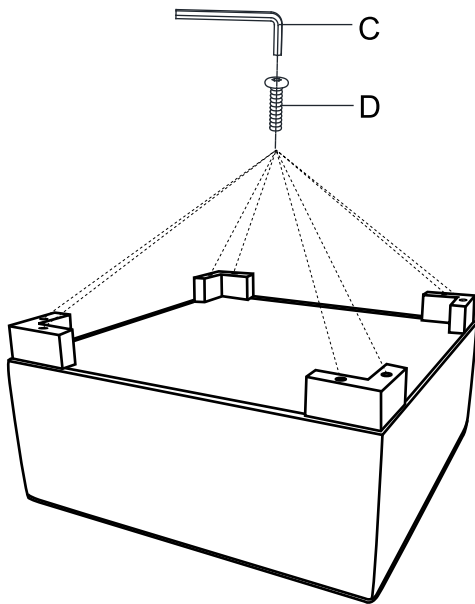
Assembly instructions



Packing List

A  Ottoman Body 1 pc	B  Wooden Foot 4 pcs
C  Allen Wrench 1 pc	D  Screws 8+1 pcs

Step 1 Please completely tighten four legs B with screws D in this step.



Step 2 Finished

