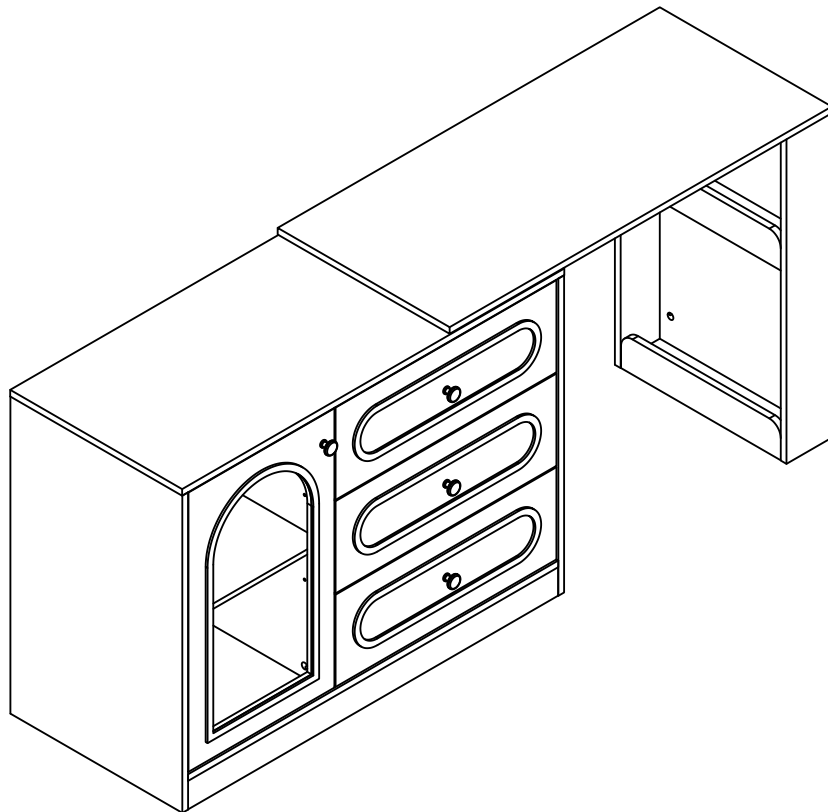


Tribesigns

DESIGNED FOR LIFE

Assembly Instructions



Dressing table

Model No.
HOGA-HL0188

 **LITTLE TREE**
Little Tree by Tribesigns

www.tribesign.com



Contact Us

We're here to help you.




Your satisfaction is our top priority. If you encounter any issues with this product, such as missing or damaged parts, we're here to help. Please retain the original packaging and take photos of the packaging and the product, then contact us as soon as possible.

Warm Tips

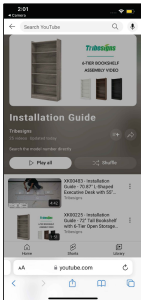
1. Carefully read these instructions and keep them for future reference.
2. Check the parts list and confirm everything's there before starting assembly.
3. When assembling, put all parts on a soft, smooth surface like a carpet to avoid scratches.
4. Don't fully tighten screws until all parts are confirmed in place to avoid misalignment.

How to Get the Assembly Video

Step 1 Scan the QR code.

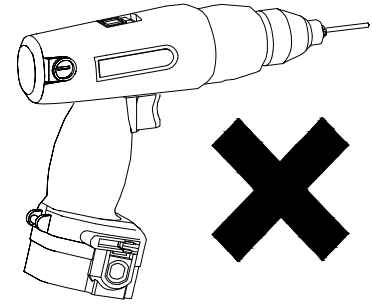
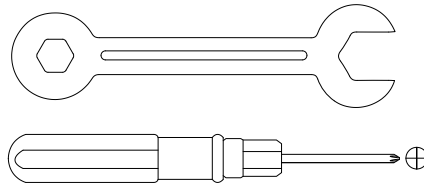
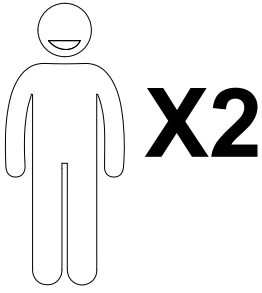


Step 2 Search with the Model No. (on the bottom left corner of the title page)



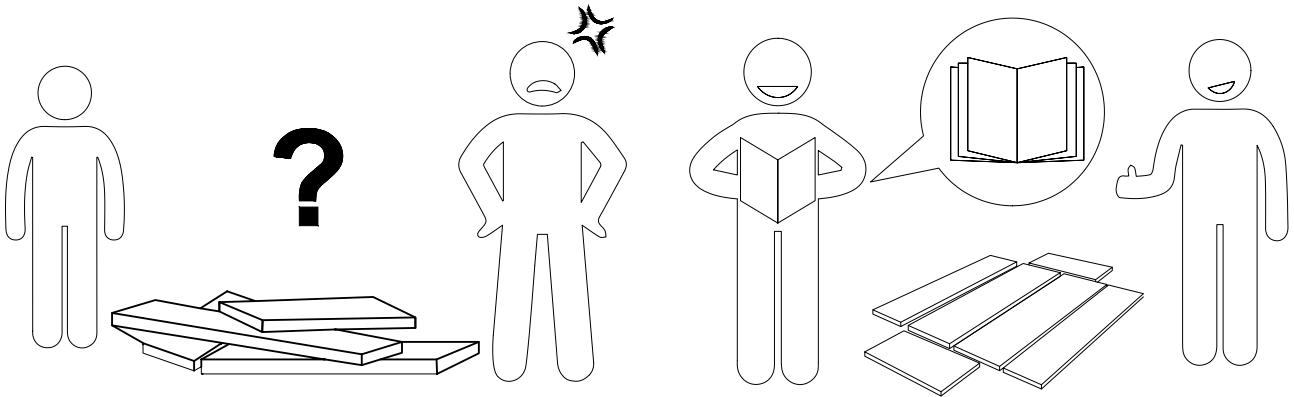
HOGA-HL0188

Note: If you can't find the assembly video, please contact us.



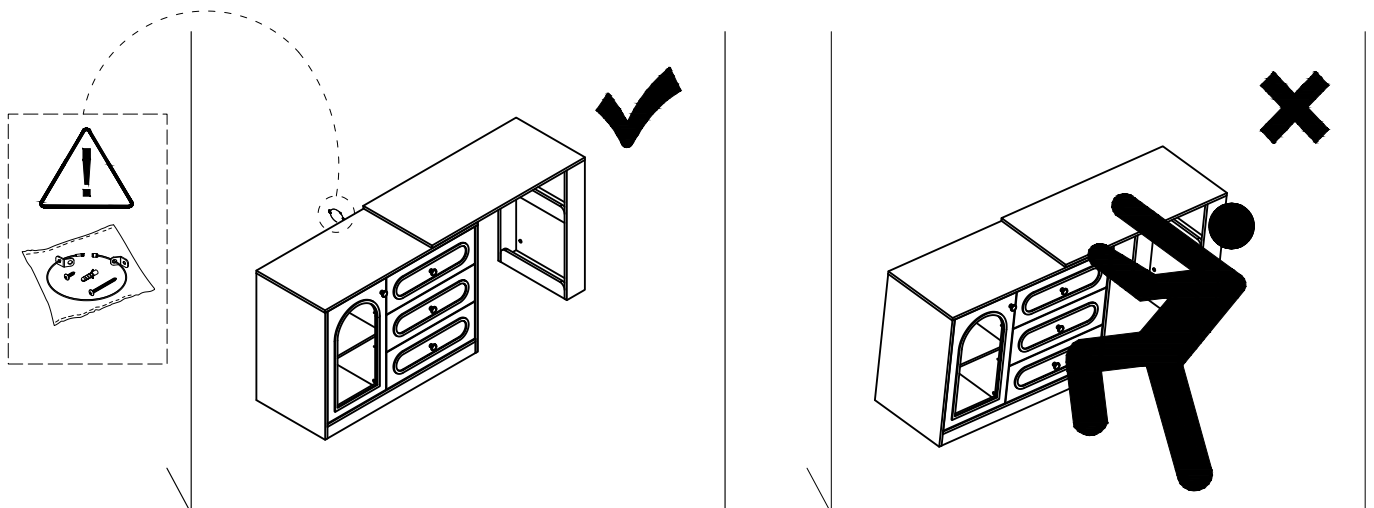
We recommend using hand tools for assembly.

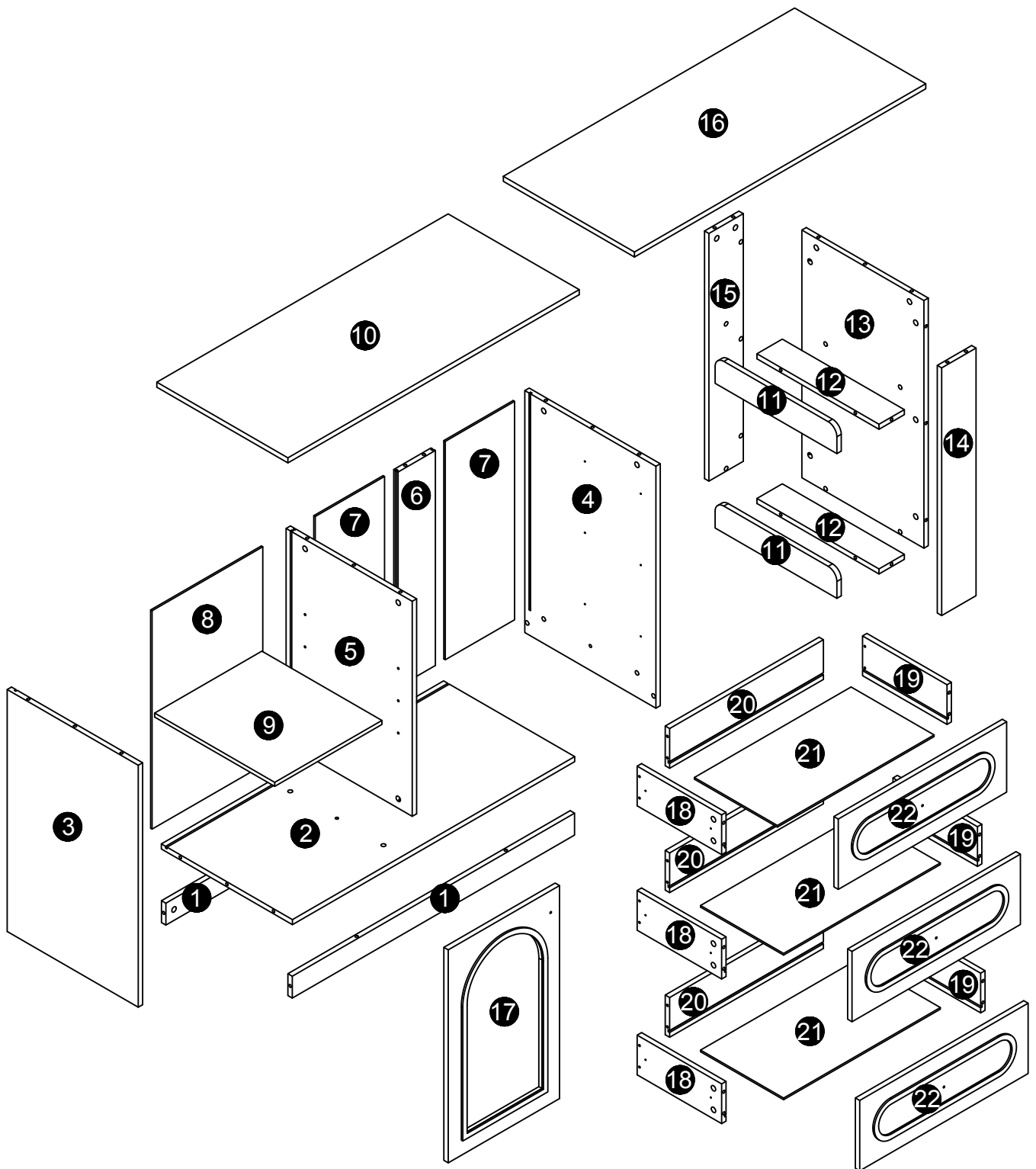
If an electric screwdriver is used, reduce power and torque to avoid damage to the product.



Install the Anti-Tip Straps

Using the anti-tip straps can reduce the risk of tipping over, but can not eliminate it.



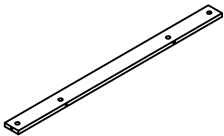
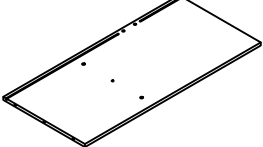
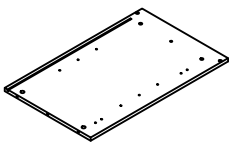
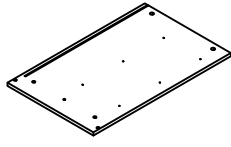
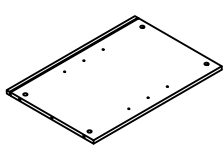
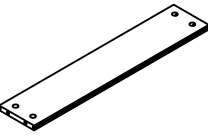
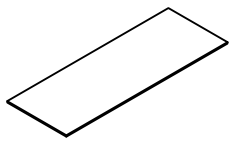
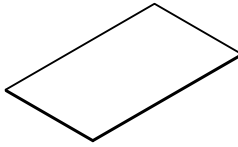
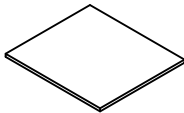
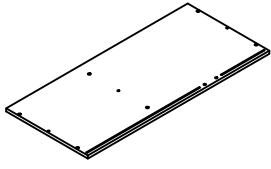
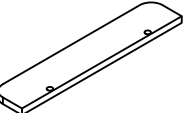
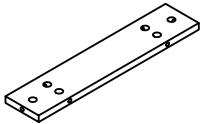
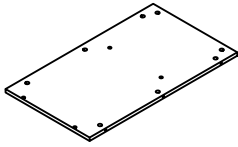
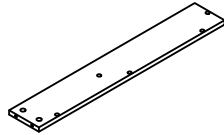
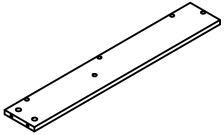
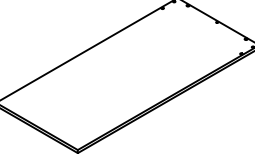
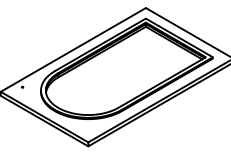
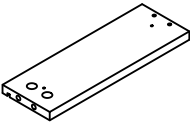
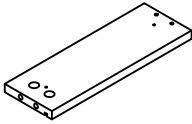
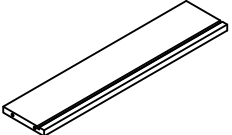
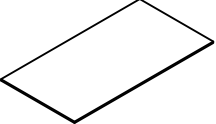
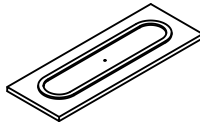


⚠ Caution

Make sure all parts are included. Most board parts are labeled or stamped on the raw edge. Contact us for a free replacement if you encounter any damaged or missing parts.

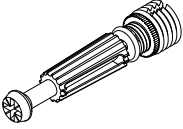
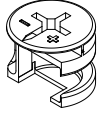
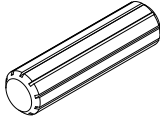
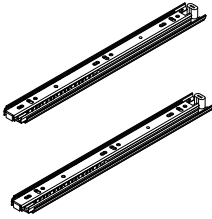
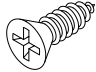



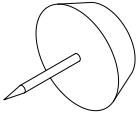
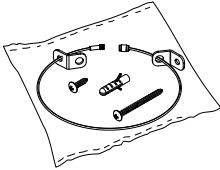

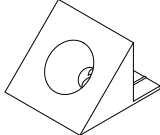
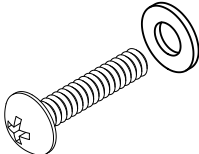
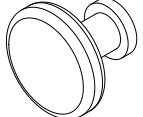
Parts List

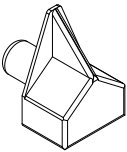
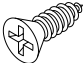
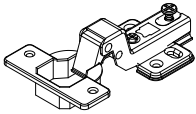
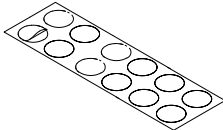

1  2 pcs	2  1 pc	3  1 pc	4  1 pc	5  1 pc
6  1 pc	7  2 pcs	8  1 pc	9  1 pc	10  1 pc
11  2 pcs	12  2 pcs	13  1 pc	14  1 pc	15  1 pc
16  1 pc	17  1 pc	18  3 pcs	19  3 pcs	20  3 pcs
21  3 pcs	22  3 pcs			



Hardware List

A	B	C	D	E	F
					
M6x35mm	Ø15x12mm	Ø8x30mm	300mm	Ø3.5x14mm	
60 pcs	60 pcs	7 pcs	3 sets	32 pcs	4 pcs

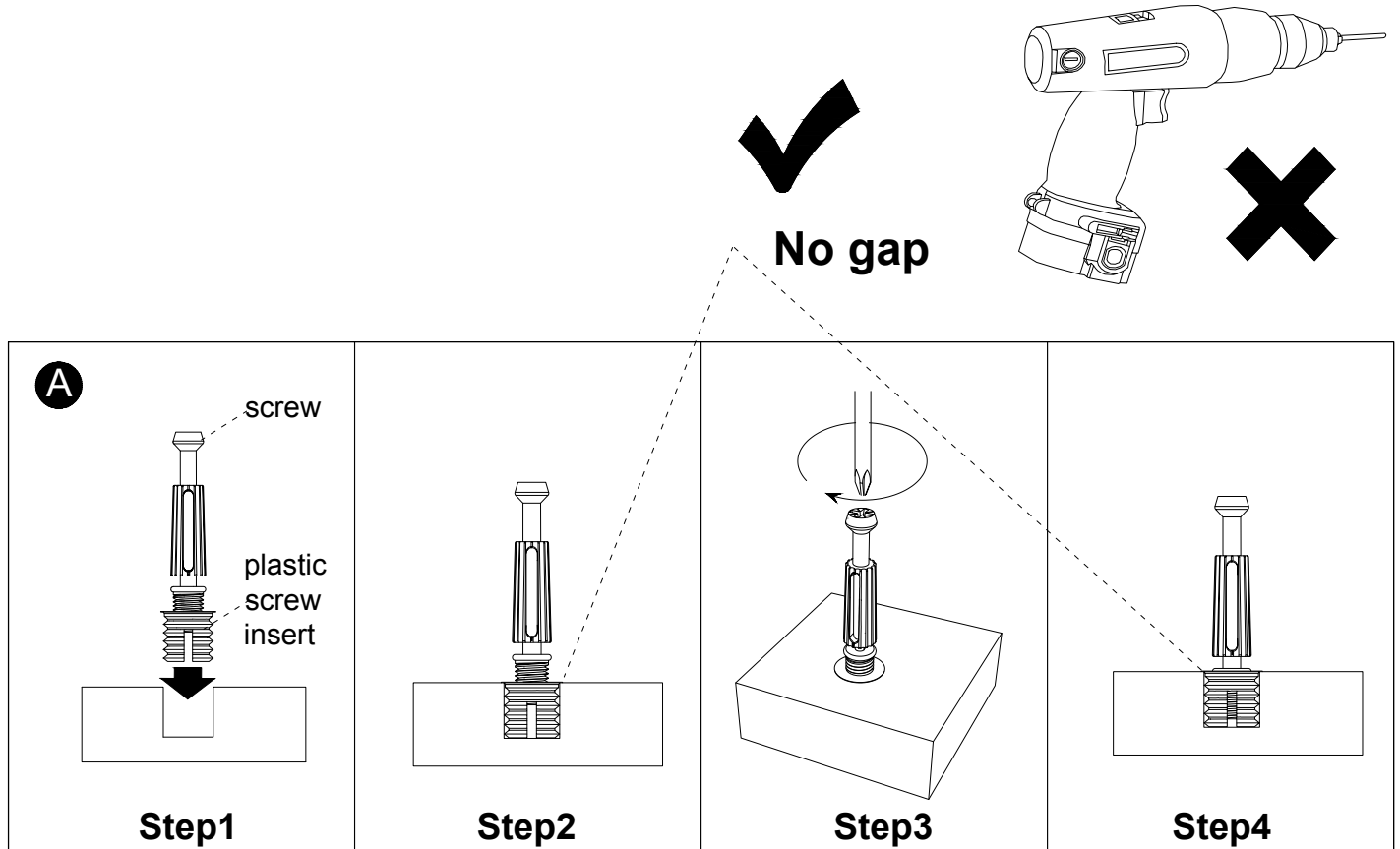
G	H	I	J	K	L
					
		Ø3.5x35mm		Ø4x20mm	
12 pcs	1 pc	12 pcs	8 pcs	4 pcs	4 pcs

M	N	O			
	 E X6 Ø3.5x14mm 				
		Ø21			
4 pcs	4 pcs	12 pcs	1 pc		

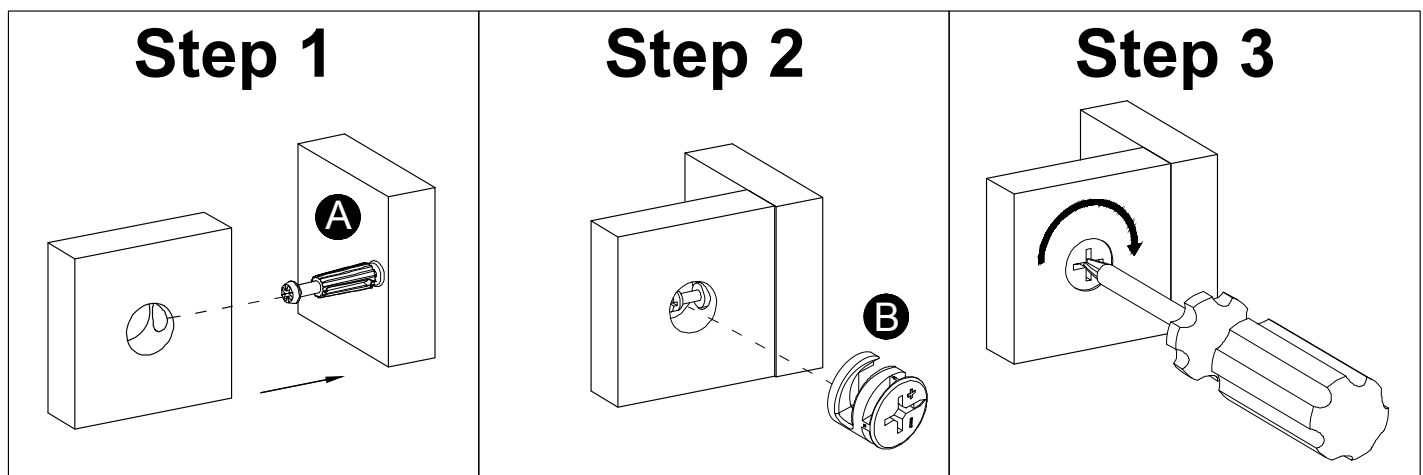


Installation of Cams and Pins

Step 1-2: Align the plastic part with the mounting hole and press it in. If you can't press it in, loosen the screw counter clockwise or completely remove the screw from the plastic part and try again.
Step 3-4: After pressing the plastic part into place, use a screwdriver to tighten the screw clockwise.



Screw the pin into the hole. Set the cams correctly by aligning the head of the cams with the lock pins. Lock the cam by turning the cam head with a screwdriver until it is tightened. Please do not use an electric screwdriver to assemble the unit.

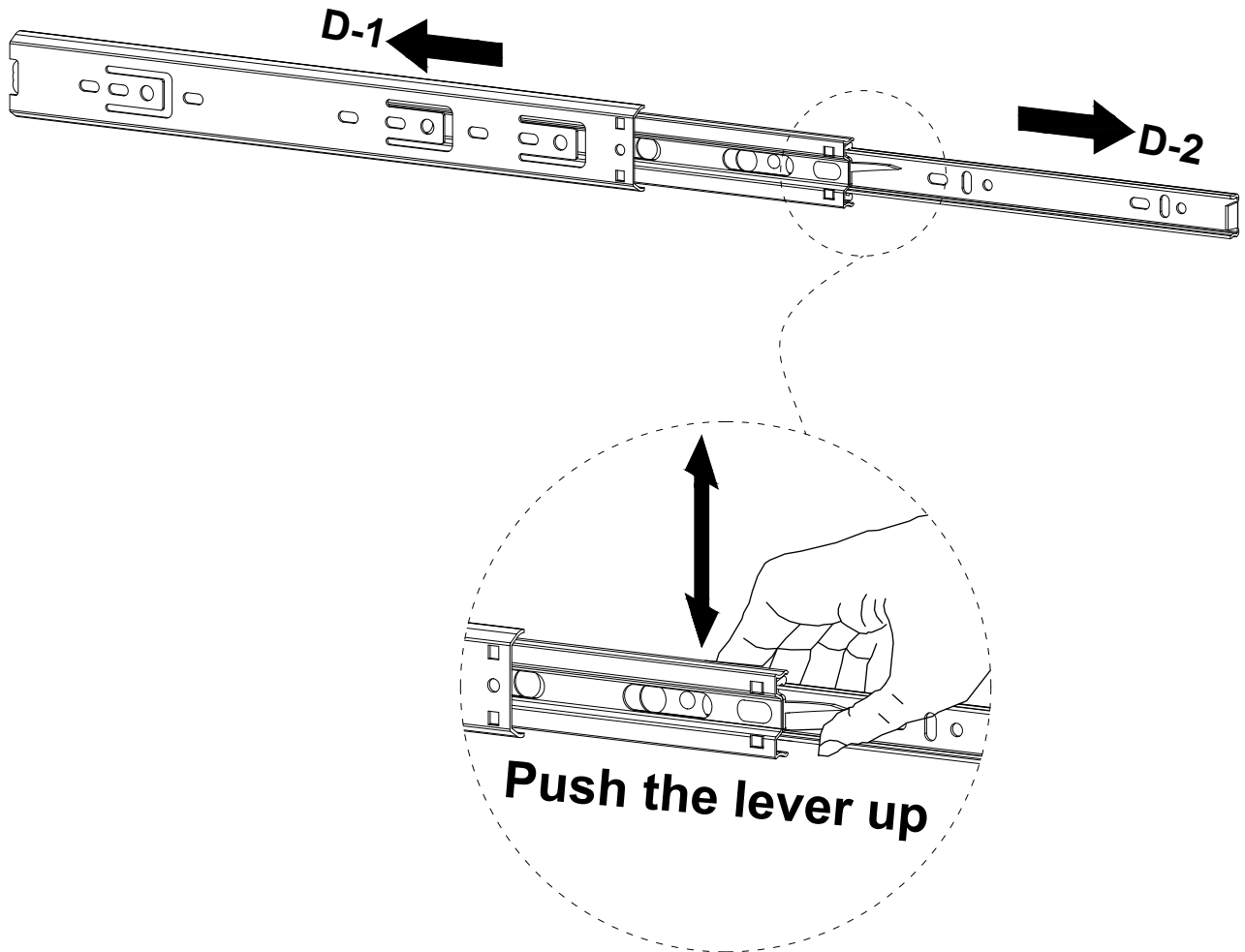




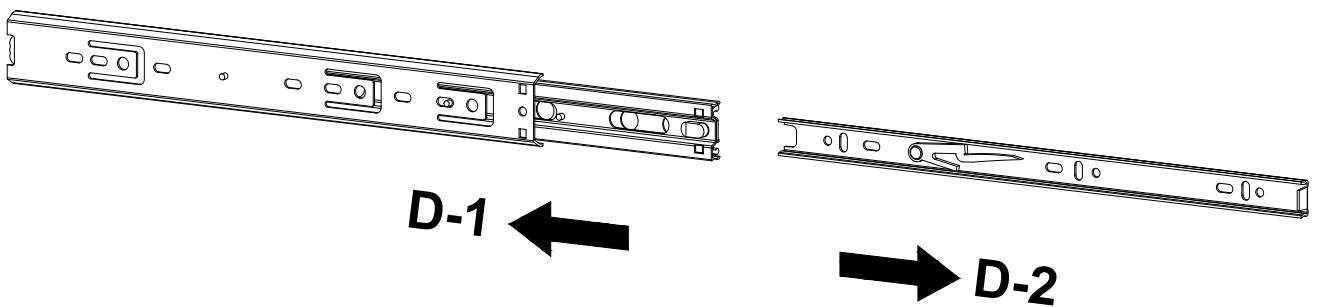
Please split component "D" into "D-1" and "D-2" before assembling the slide rail component, and then proceed to the next step of assembly

Step 1

Pull apart component "D" to each side, and then gently push up the lever of component "D-2"

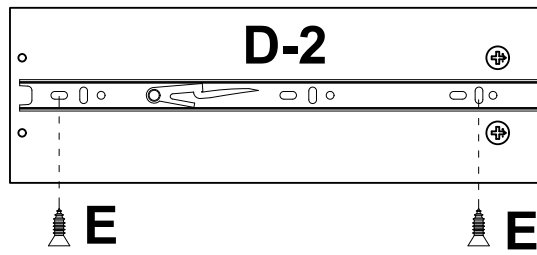


Step 2 Split component "D-1" and "D-2"

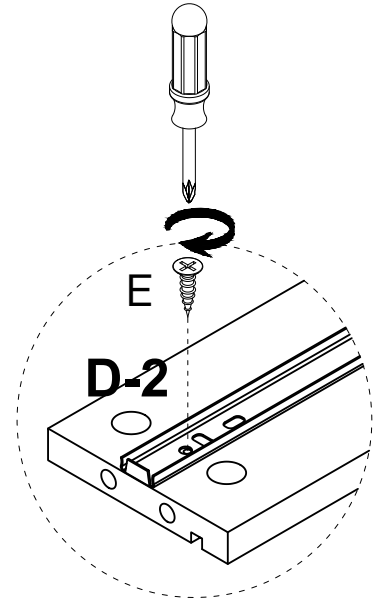
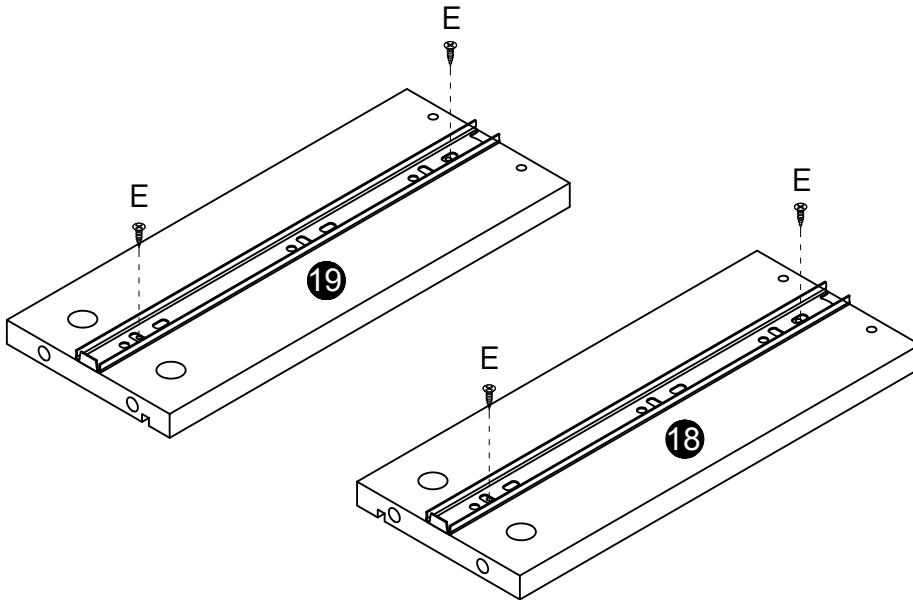




1

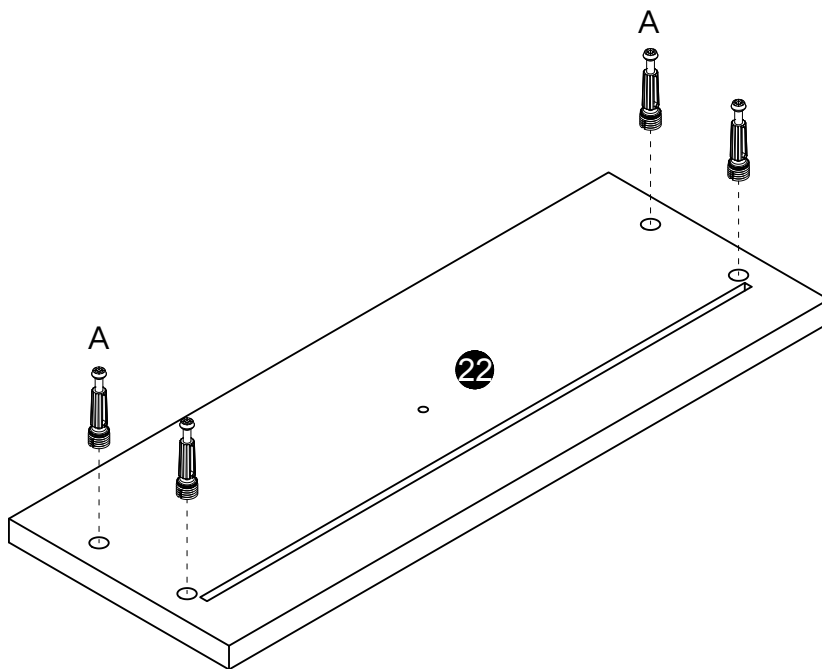


D-2	E
6 pcs	12 pcs

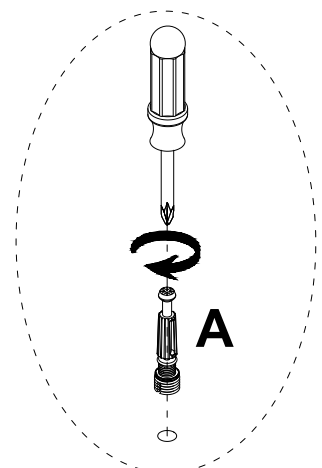


x3

2




A
M6x35mm
12 pcs

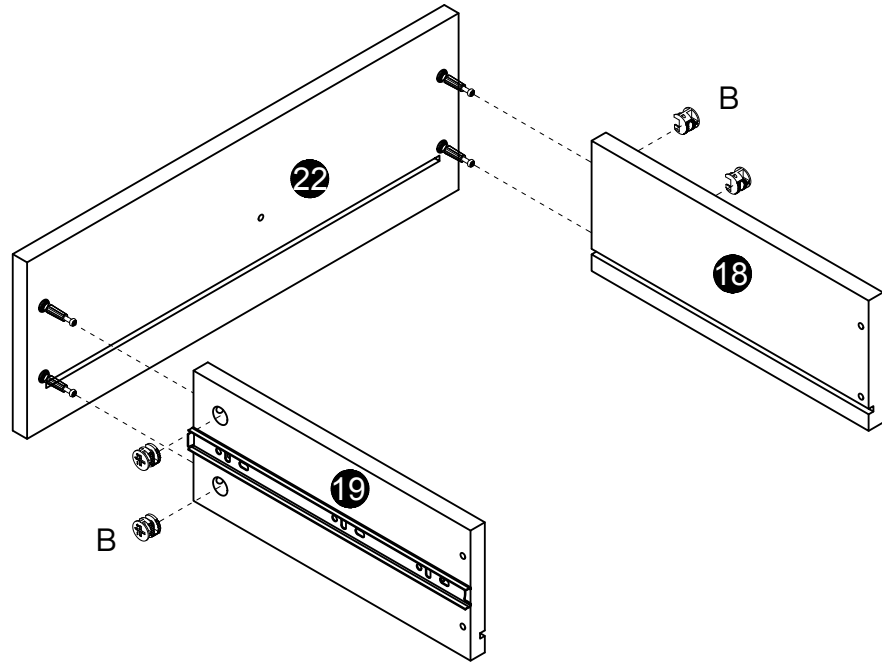
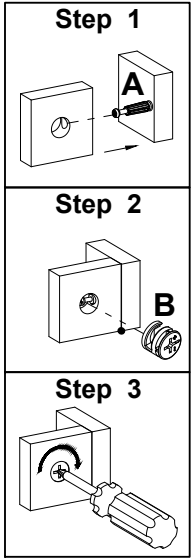


x3



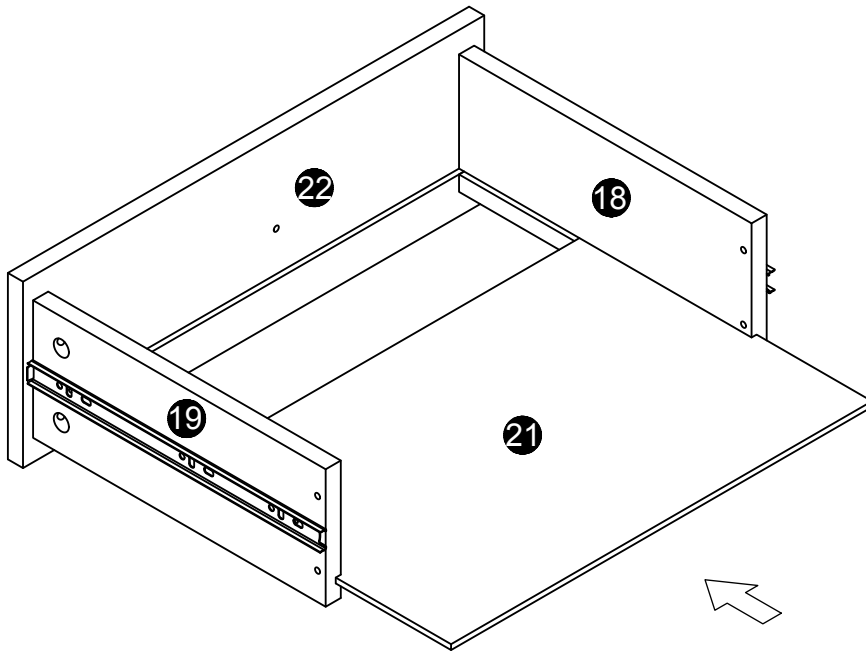
3

B

Ø15x12mm
12 pcs



x3


4

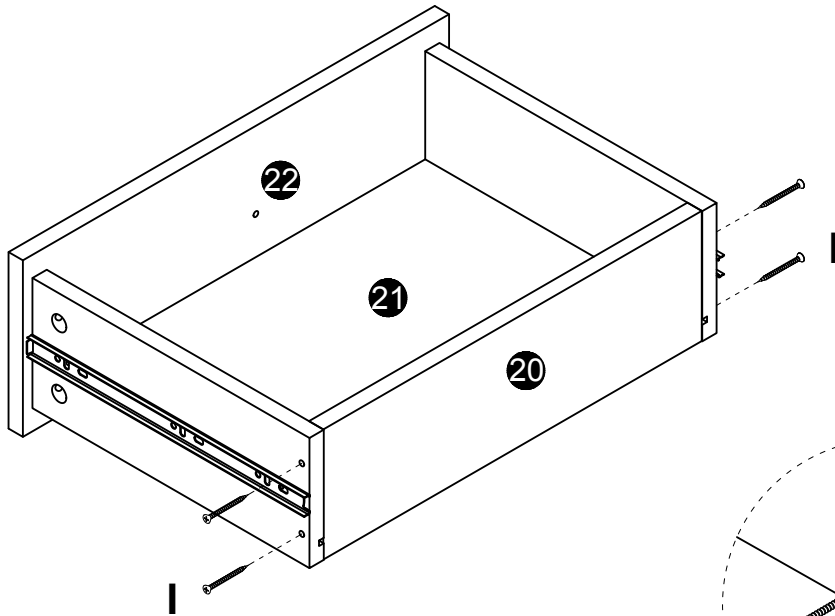


x3



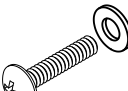

5

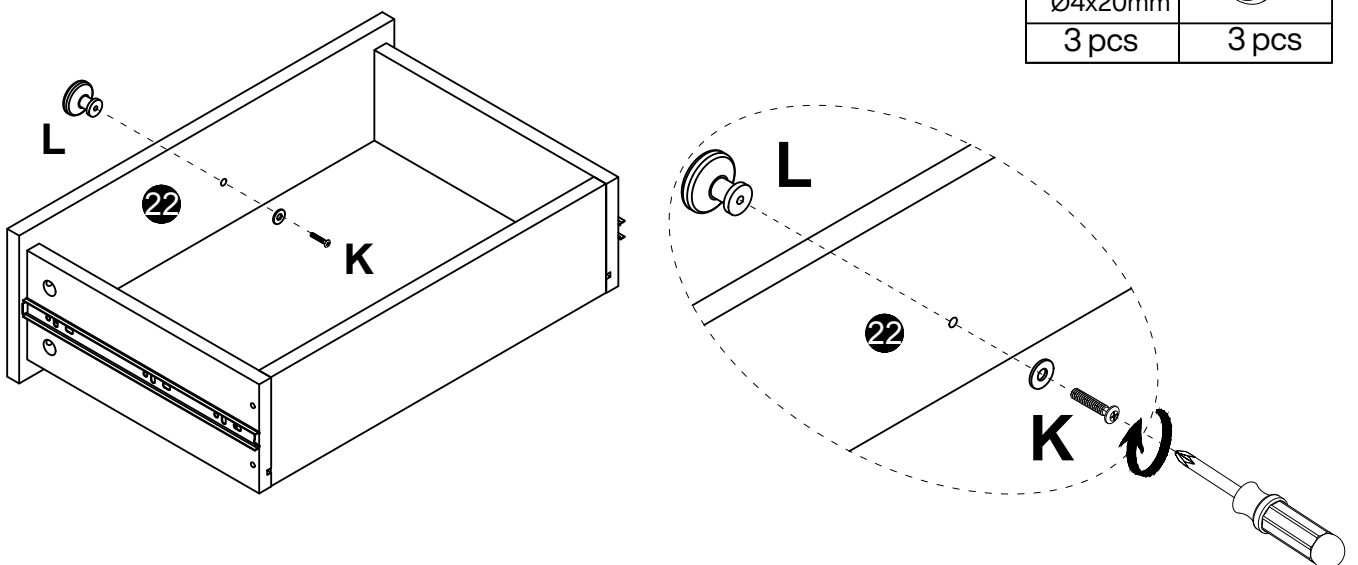
I

Ø3.5x35mm
12 pcs



x3

6

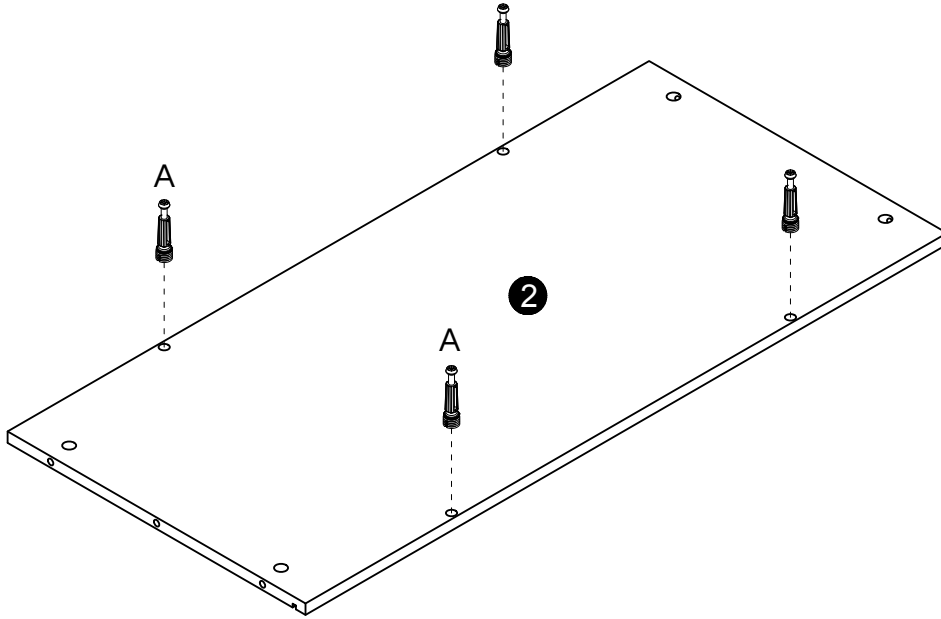
K	L
	
Ø4x20mm	
3 pcs	3 pcs




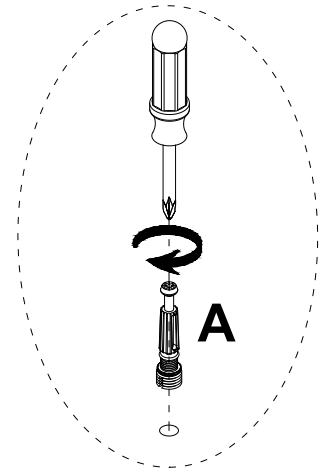
x3



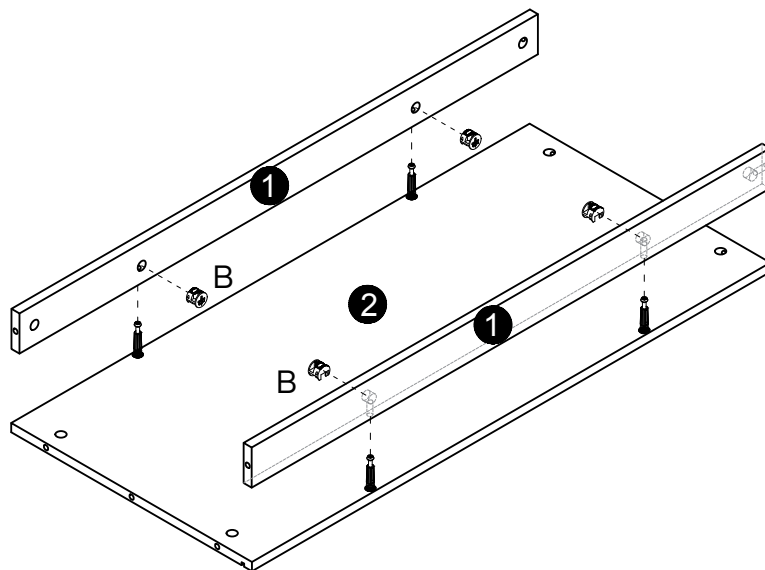
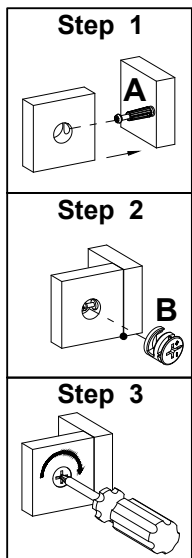
7




A

M6x35mm
4 pcs



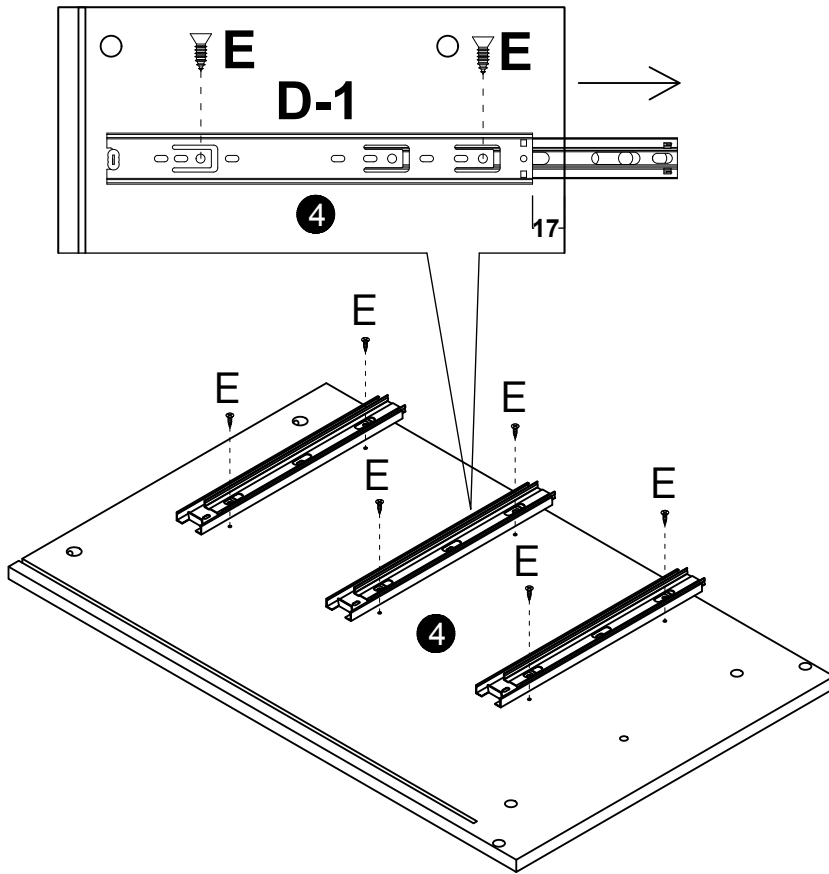
8



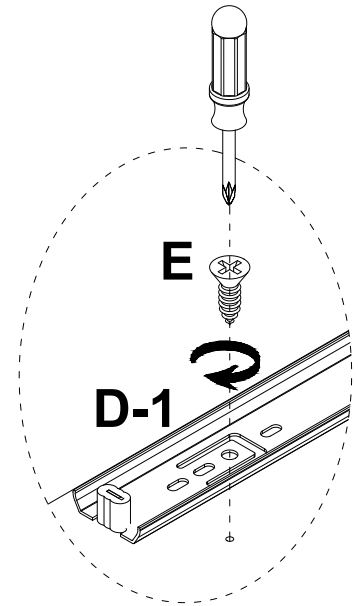
B

Ø15x12mm
4 pcs



9

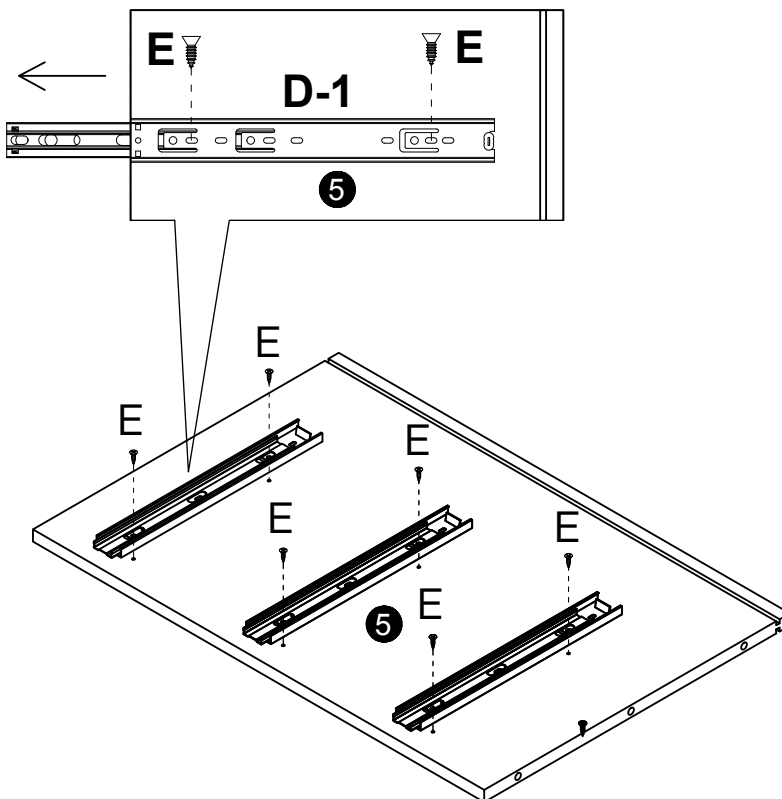


D-1	E
3 pcs	6 pcs Ø3.5x14mm

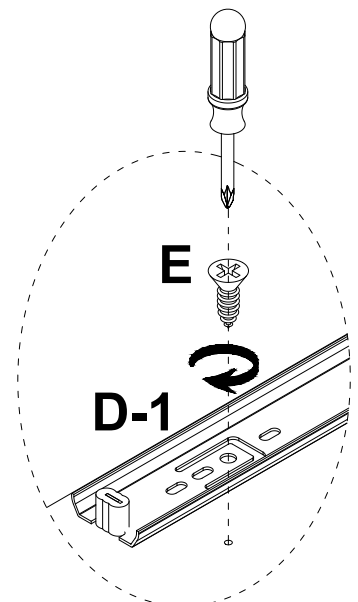


⚠ Please note that the wider part of the slide is NOT flush with the edge of the cabinet.

10




D-1	E
3 pcs	6 pcs Ø3.5x14mm

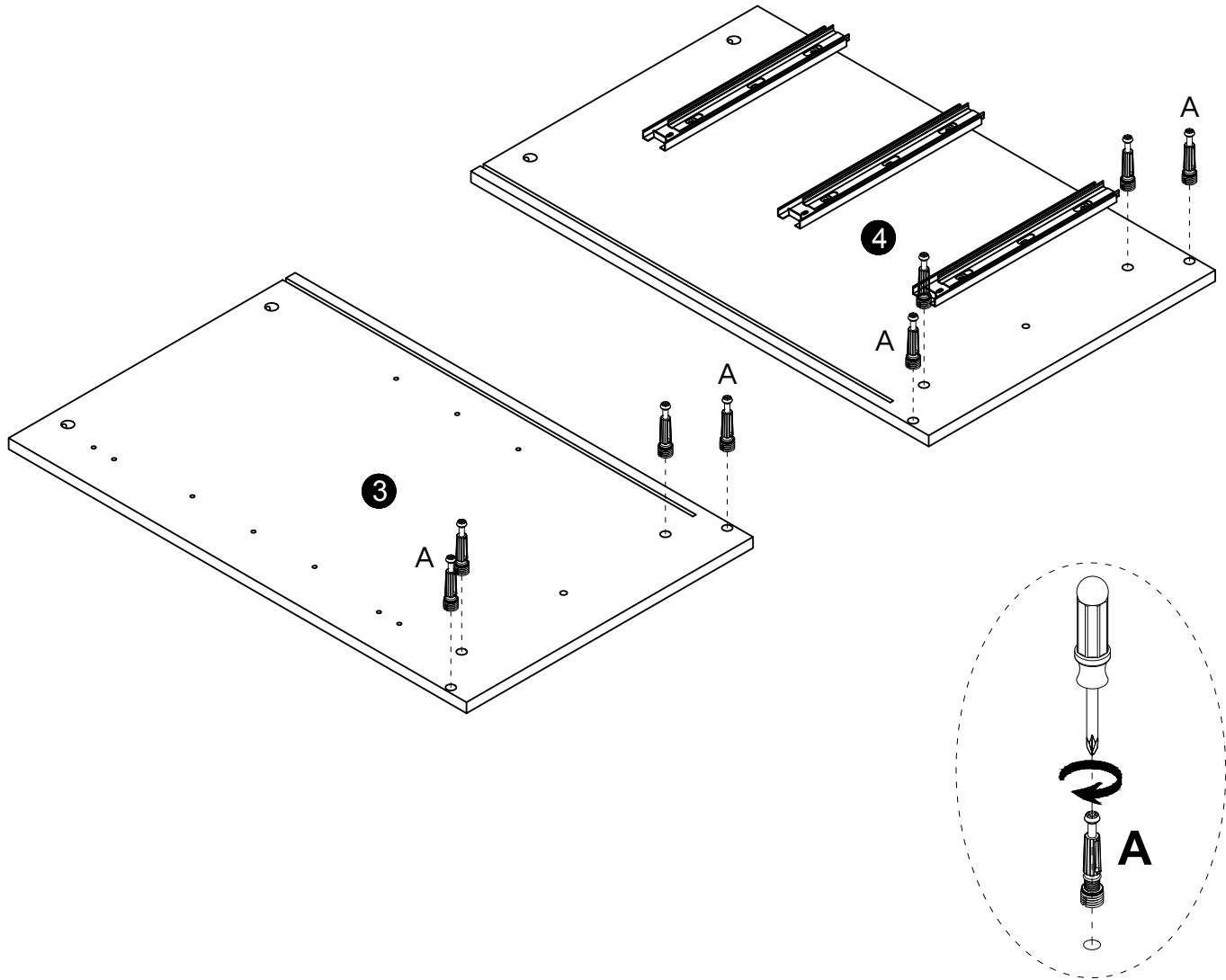


⚠ Please note that the wider part of the slide is flush with the edge of the cabinet.

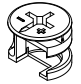
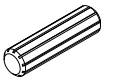


11

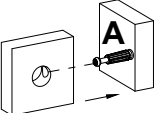
A

M6x35mm
8 pcs



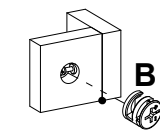
12

B	C
	
Ø15x12mm	Ø8x30mm
8 pcs	2 pcs

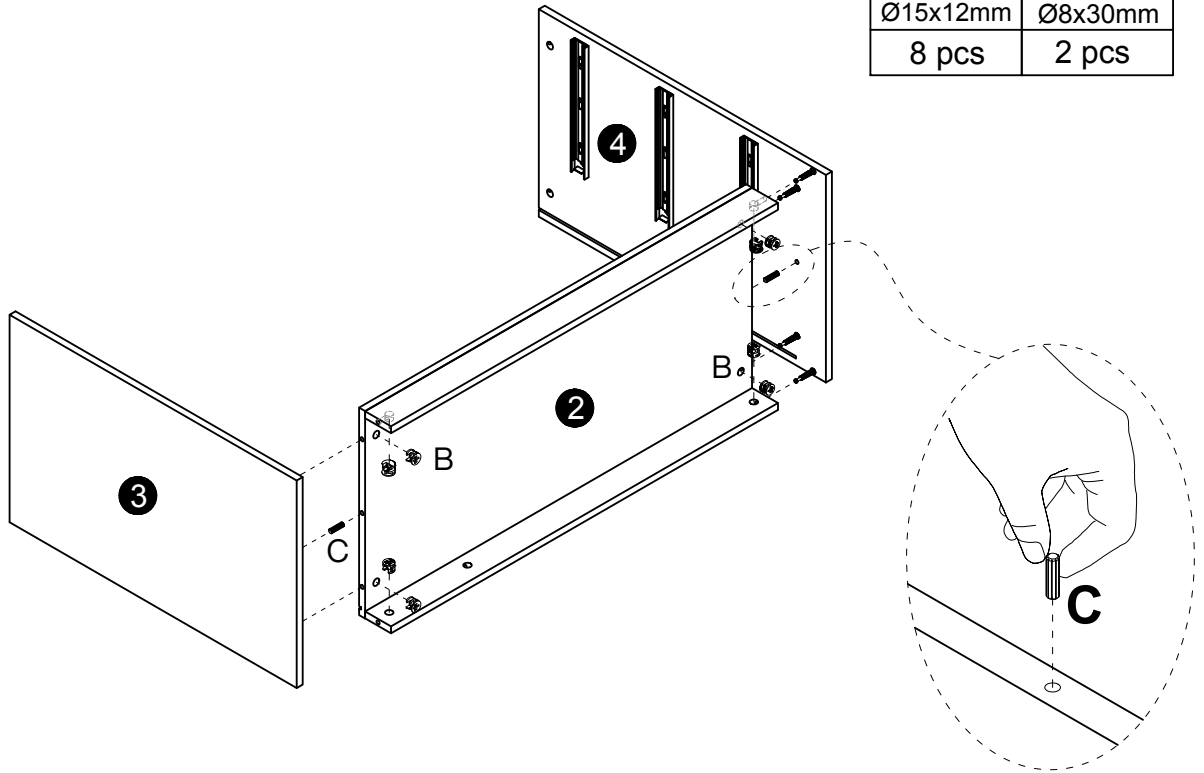
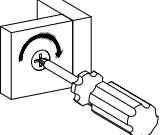
Step 1




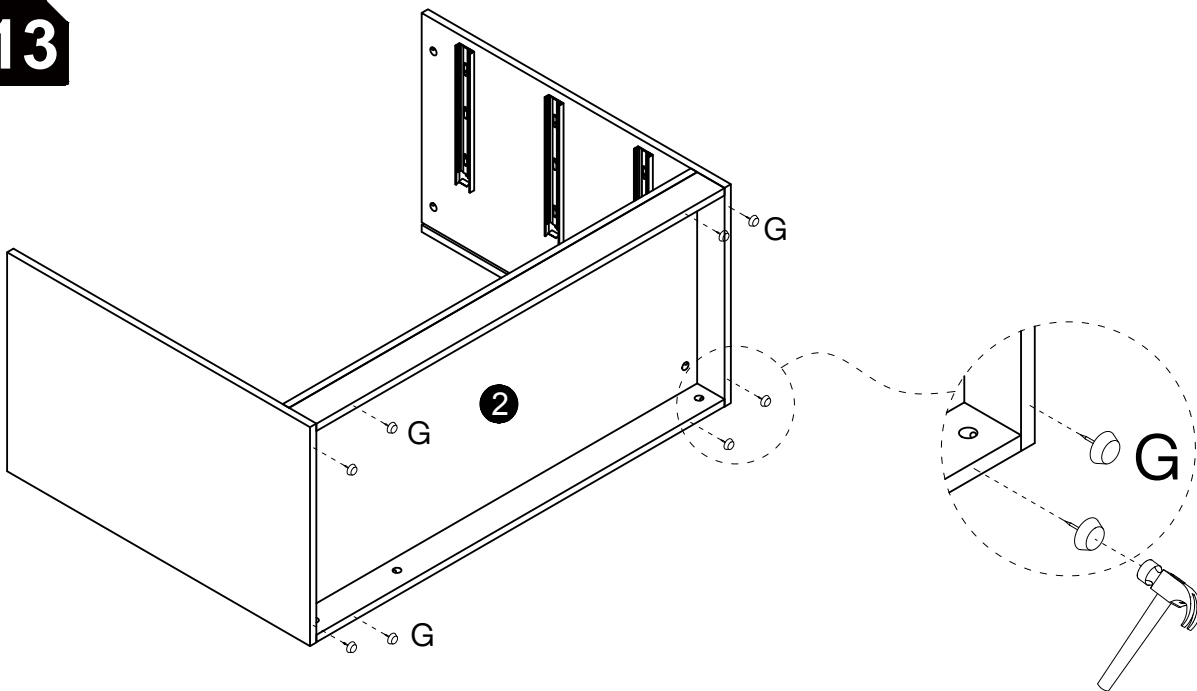
Step 2



Step 3

**13**


G

8 pcs

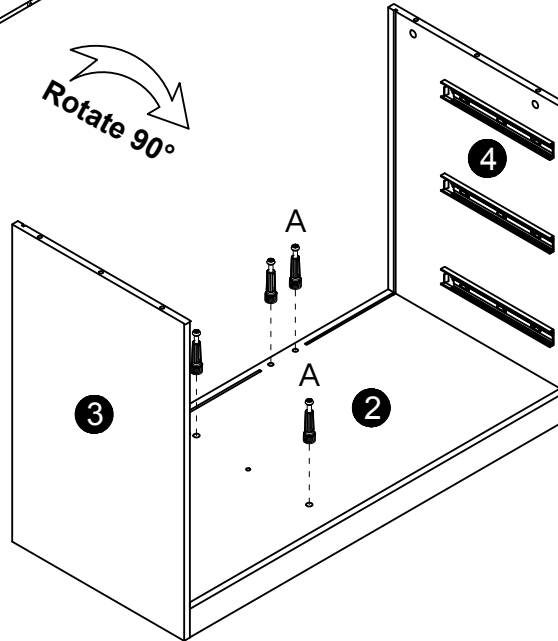
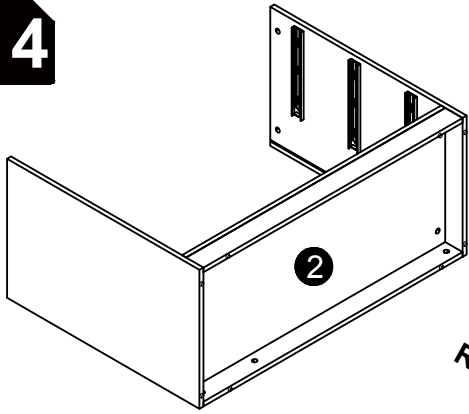


⚠ Caution! Tap lightly

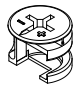
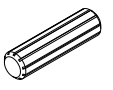


14

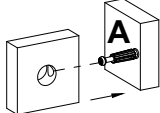
A

M6x35mm
4 pcs



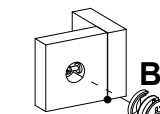
15

B	C
	
Ø15x12mm	Ø8x30mm
2 pcs	1 pc

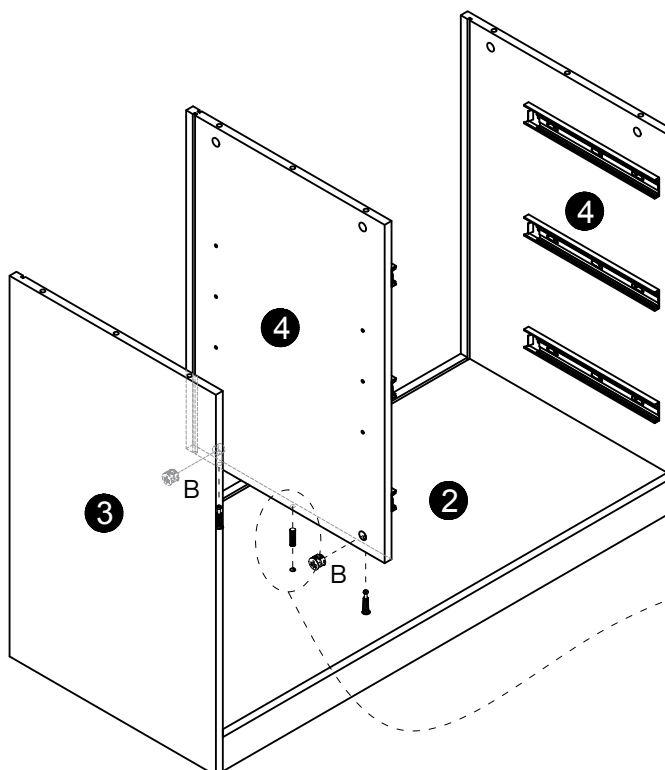
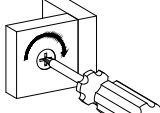
Step 1

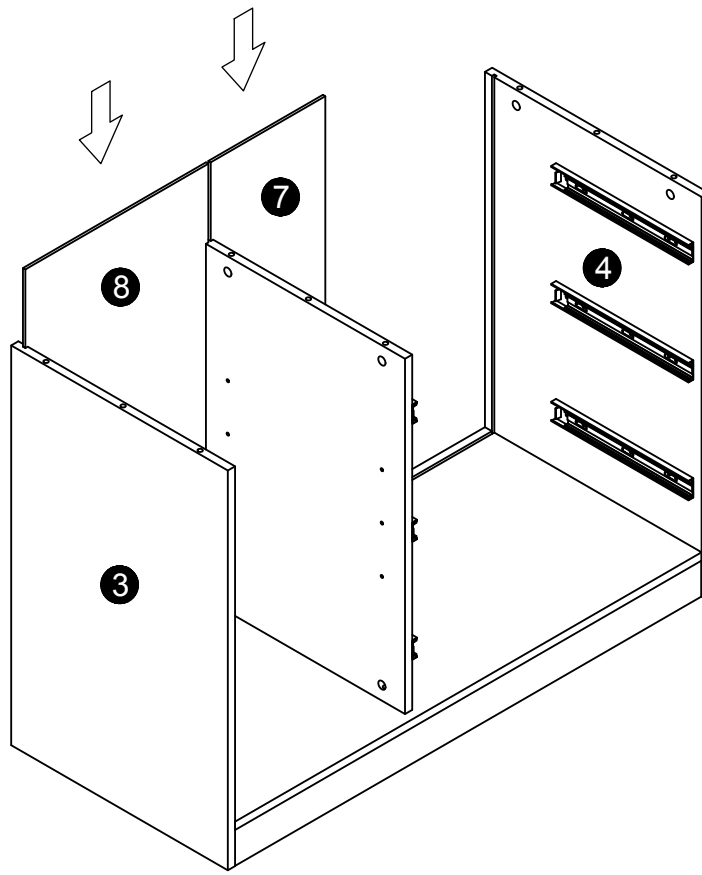
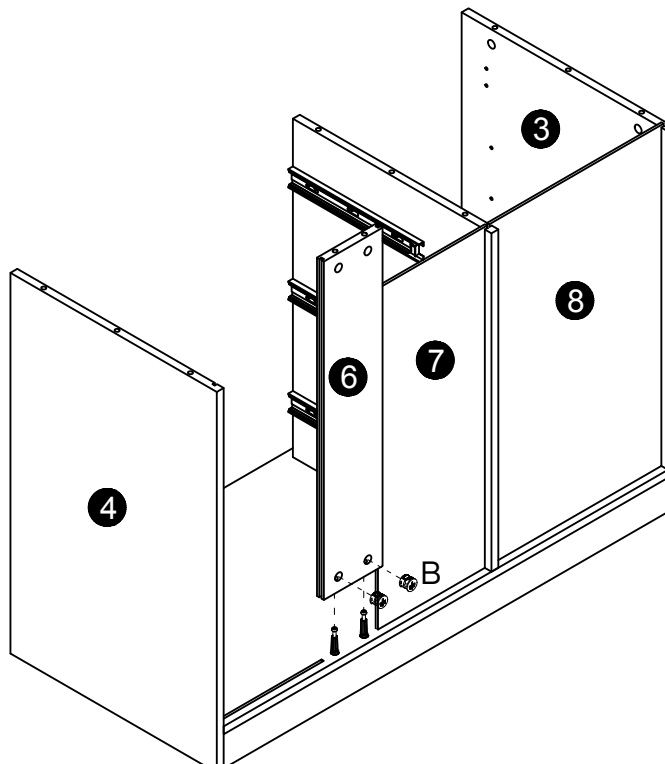
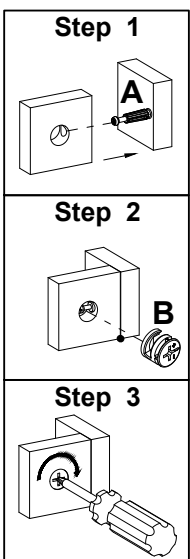


Step 2



Step 3

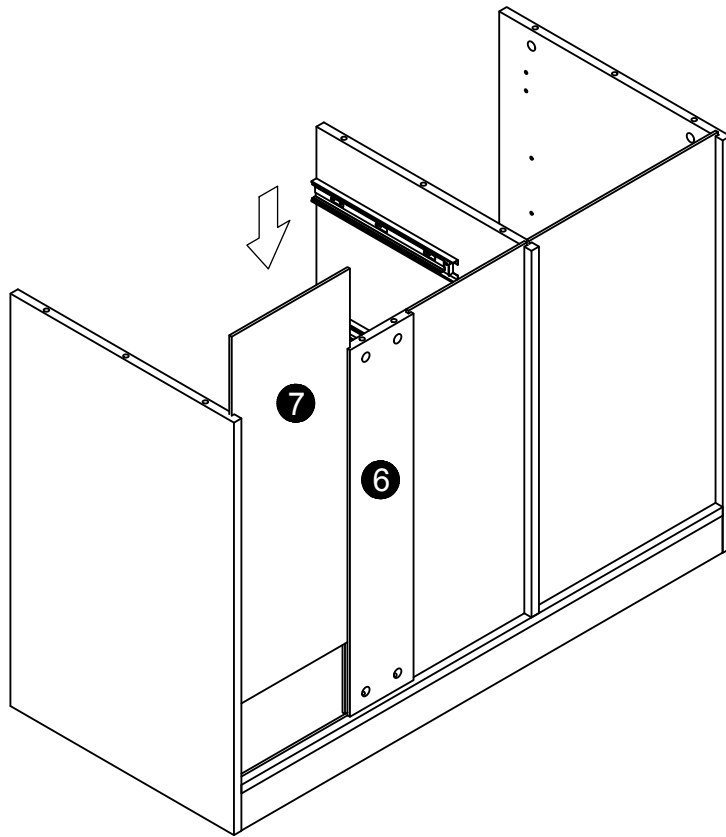


16**17**

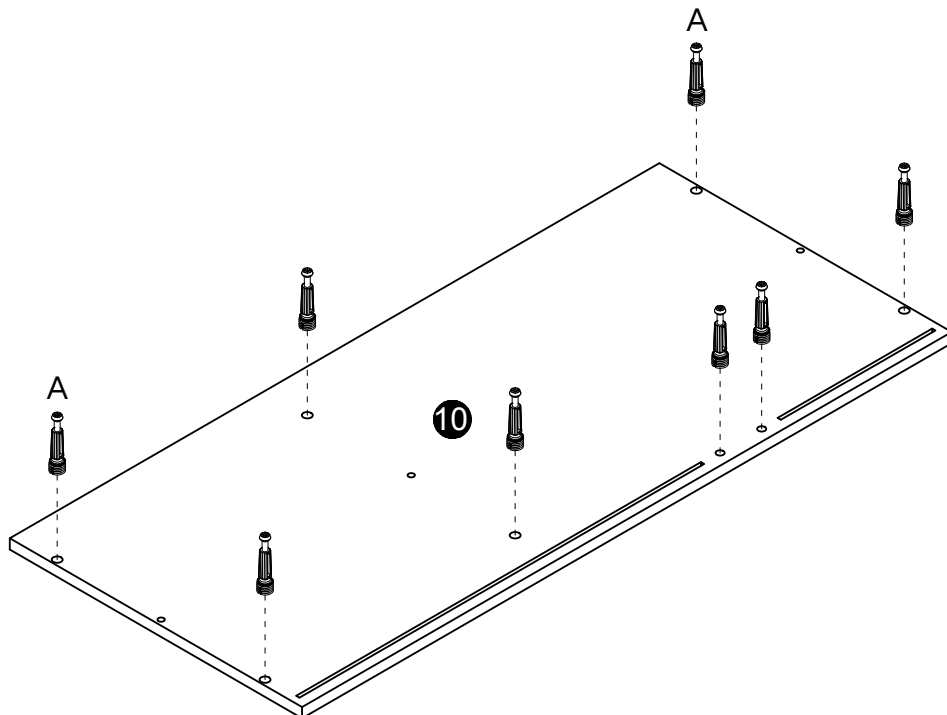
B
Ø15x12mm
2 pcs




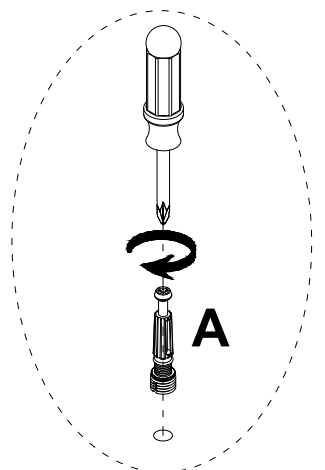
18



19

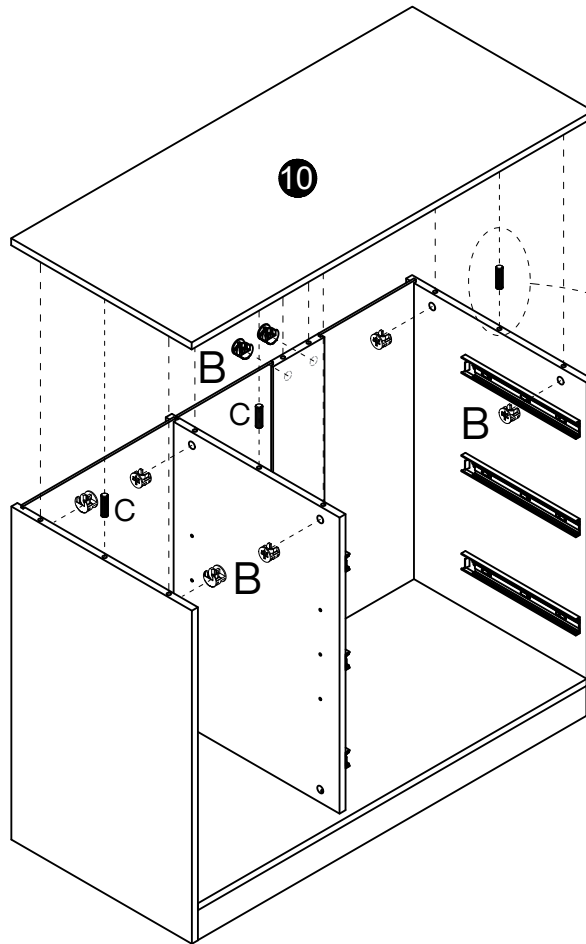
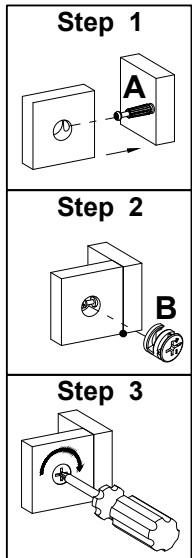


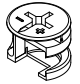
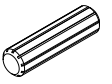
A

M6x35mm
8 pcs

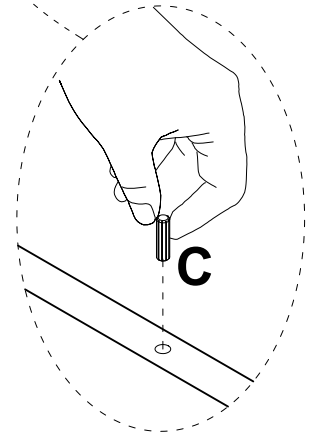




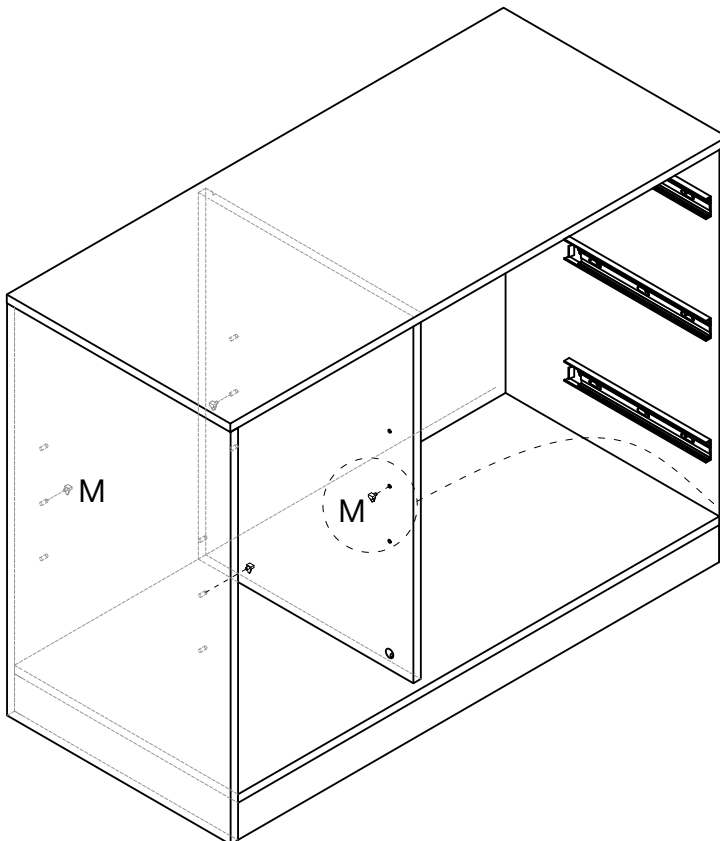
20

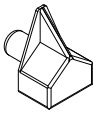


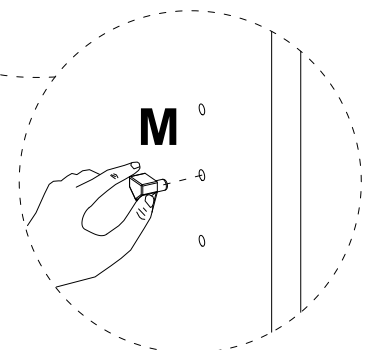
B	C
	
Ø15x12mm	Ø8x30mm
8 pcs	3 pcs



21

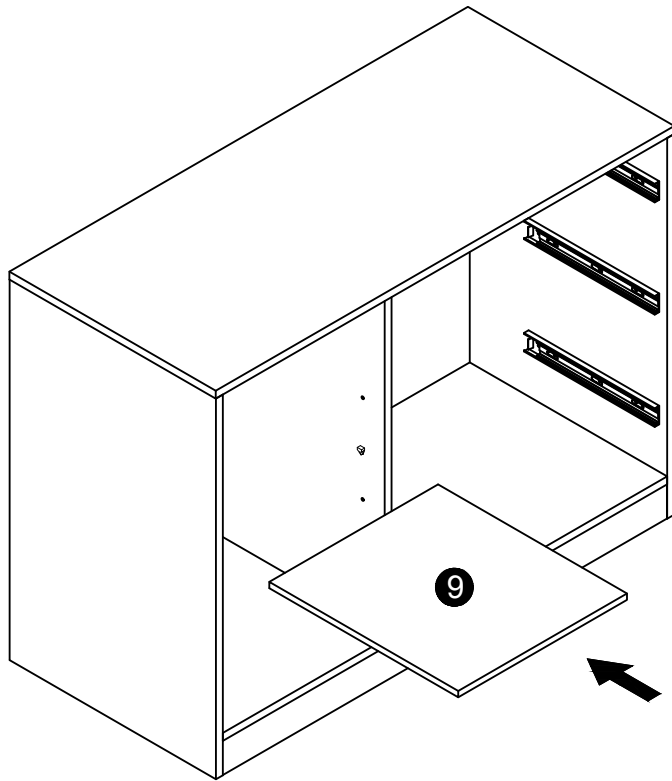


M

4 pcs

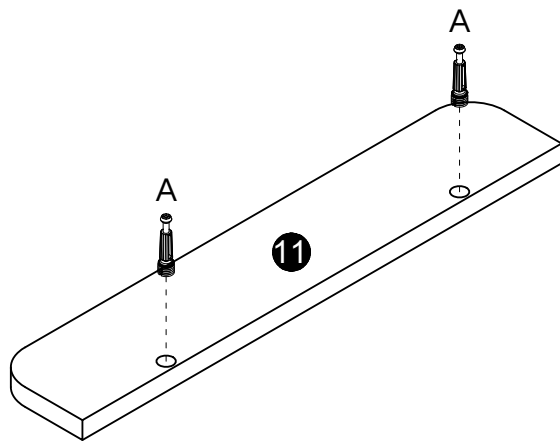





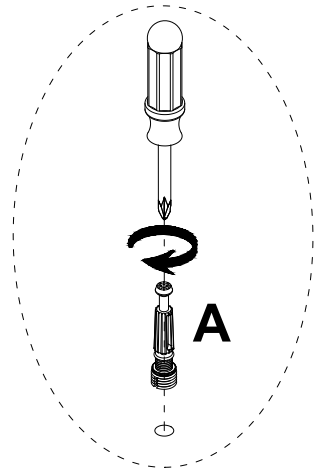
22



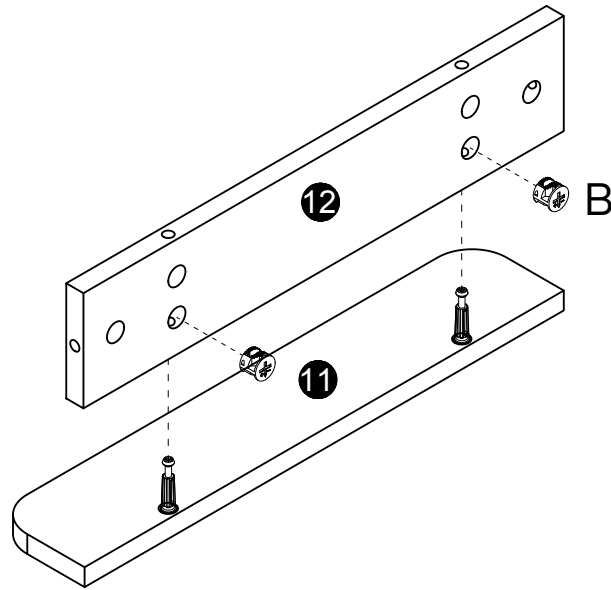
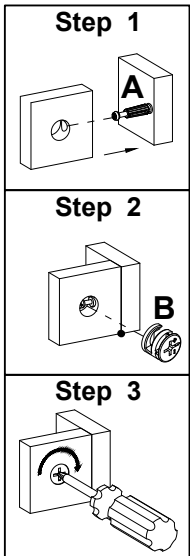
23




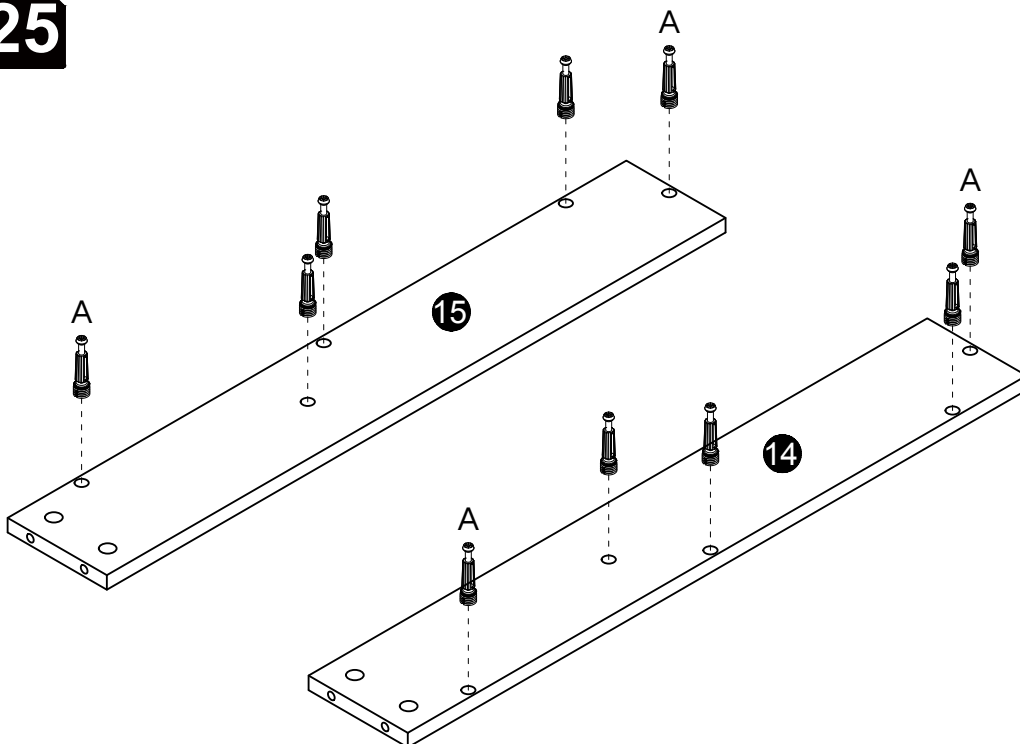
A

M6x35mm
4 pcs




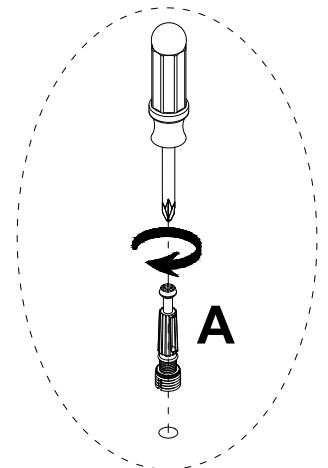
x2

24


B

Ø15x12mm
4 pcs

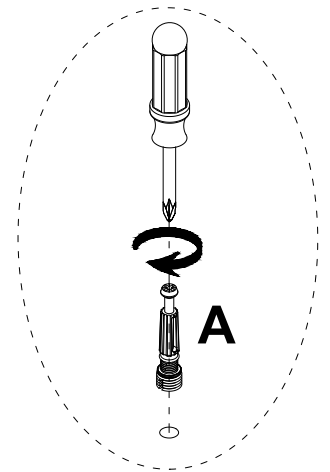
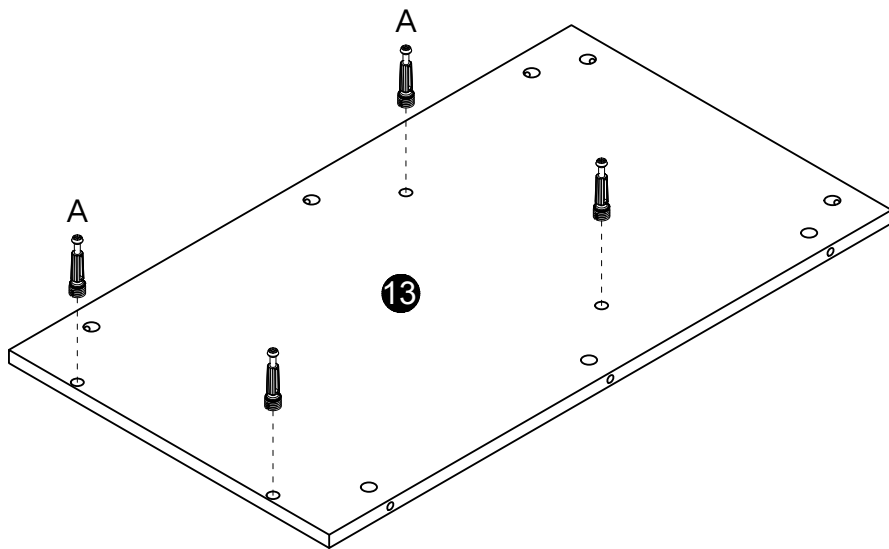
x2**25**


A

M6x35mm
10 pcs

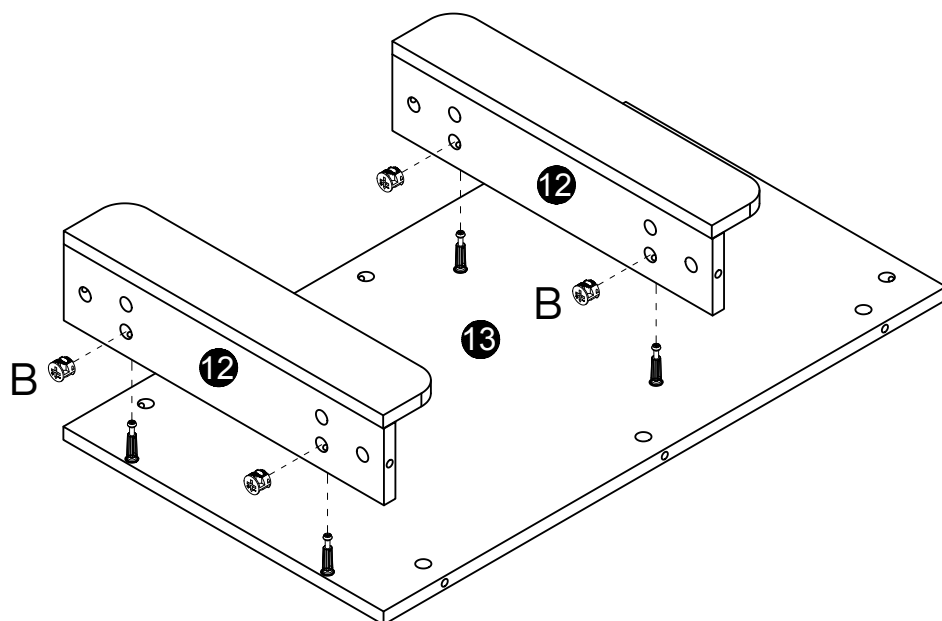
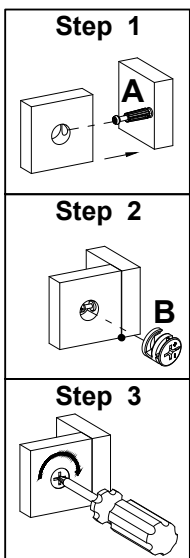


26


A

M6x35mm
4 pcs

**27**

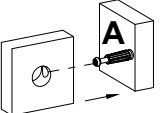
B

Ø15x12mm
4 pcs



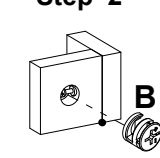
28

B

Ø15x12mm
10 pcs

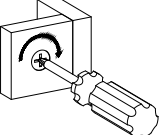
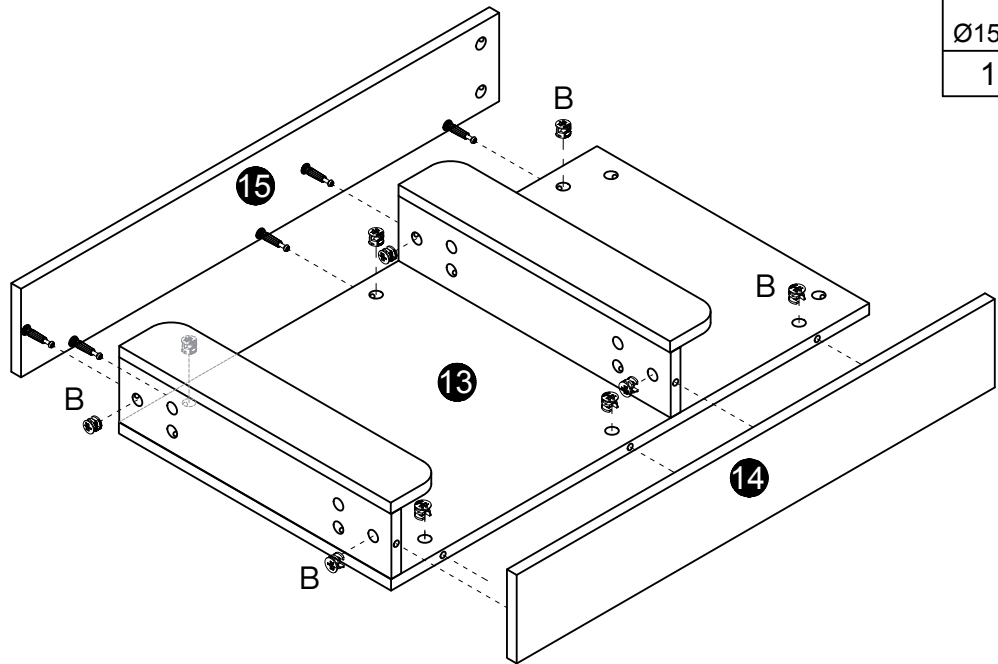
Step 1


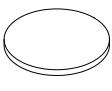


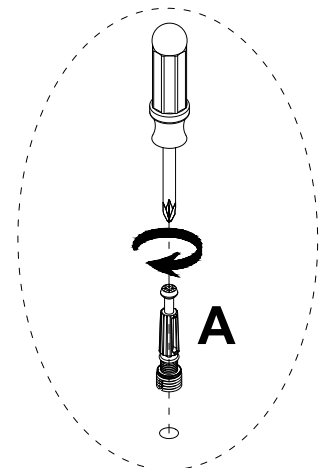
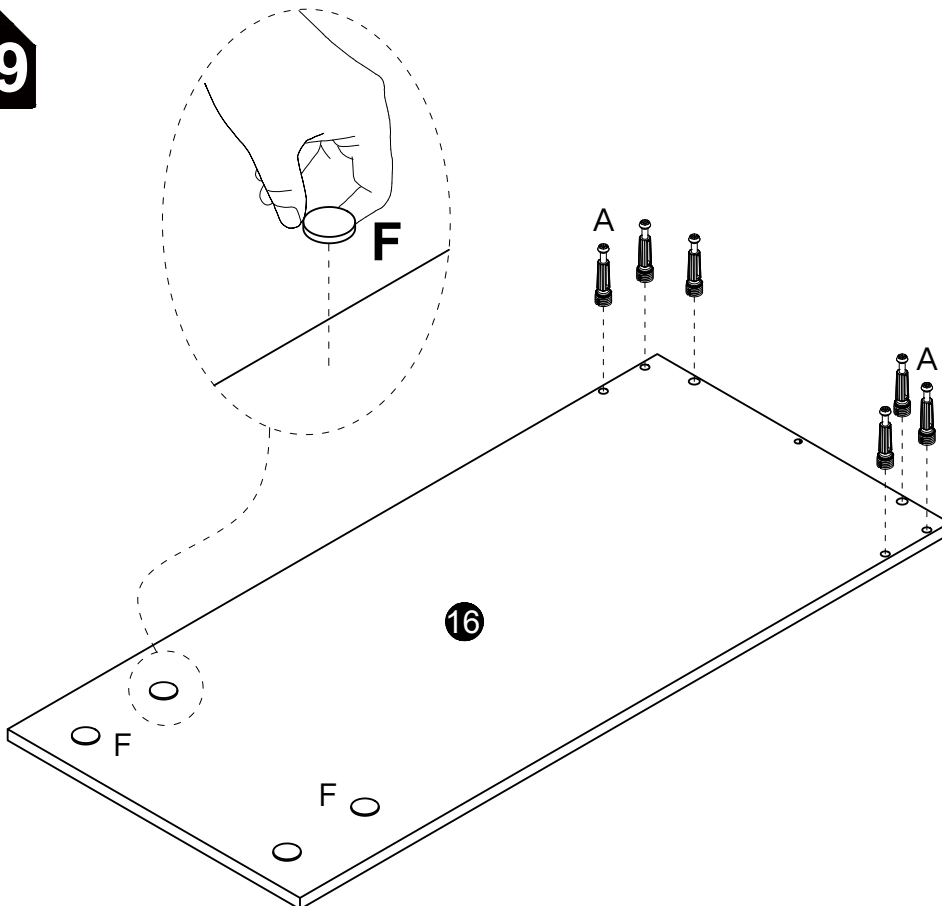
Step 2



Step 3



29

A	F
	
M6x35mm	
6 pcs	4 pcs

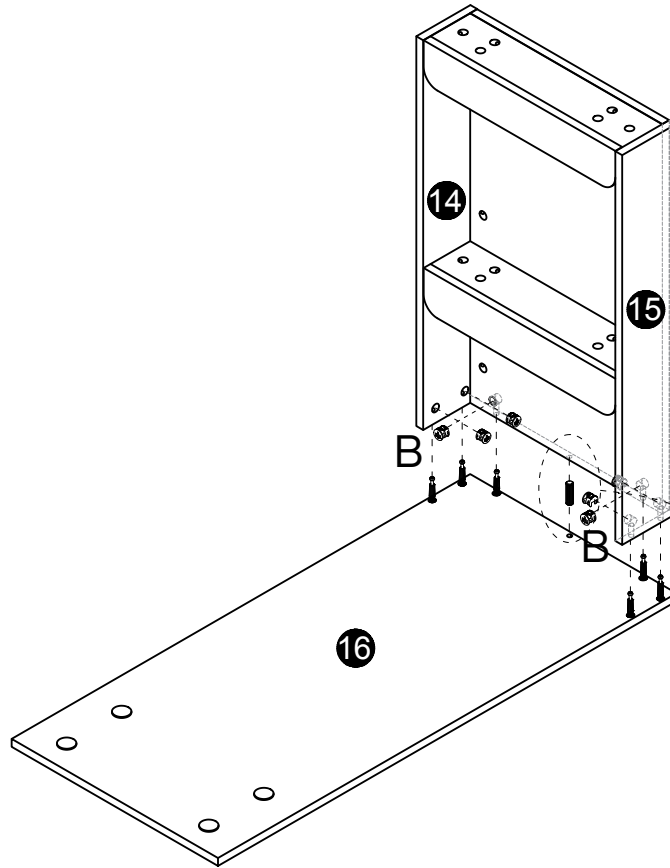


30

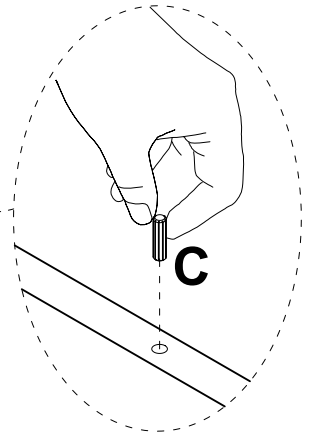
Step 1

Step 2

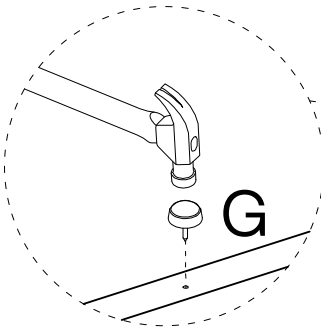
Step 3



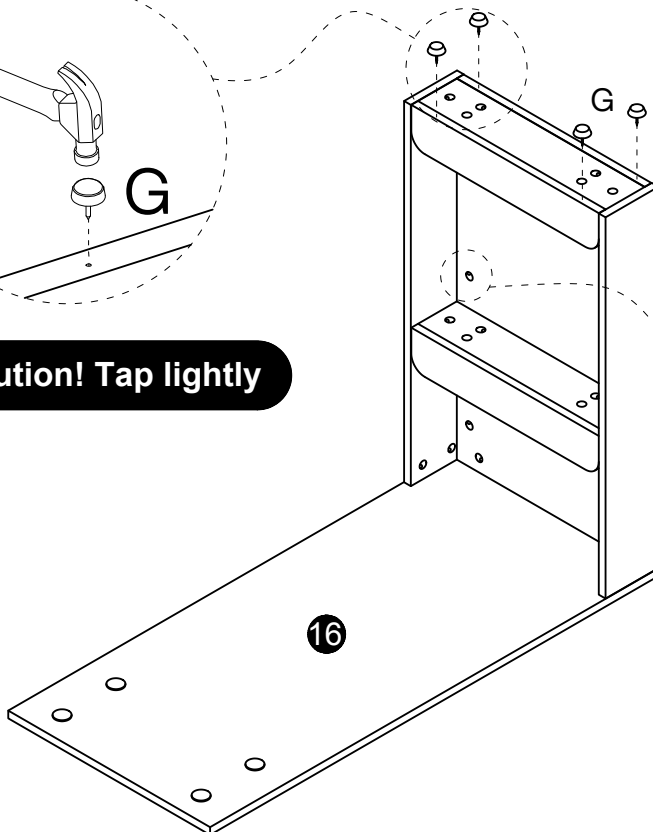
B	C
Ø15x12mm	Ø8x30mm
6 pcs	1 pc



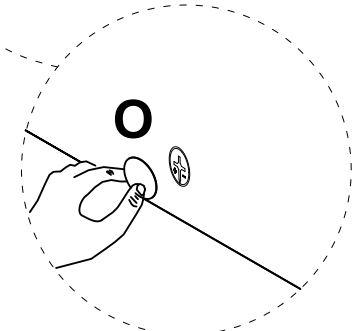
31



⚠ Caution! Tap lightly

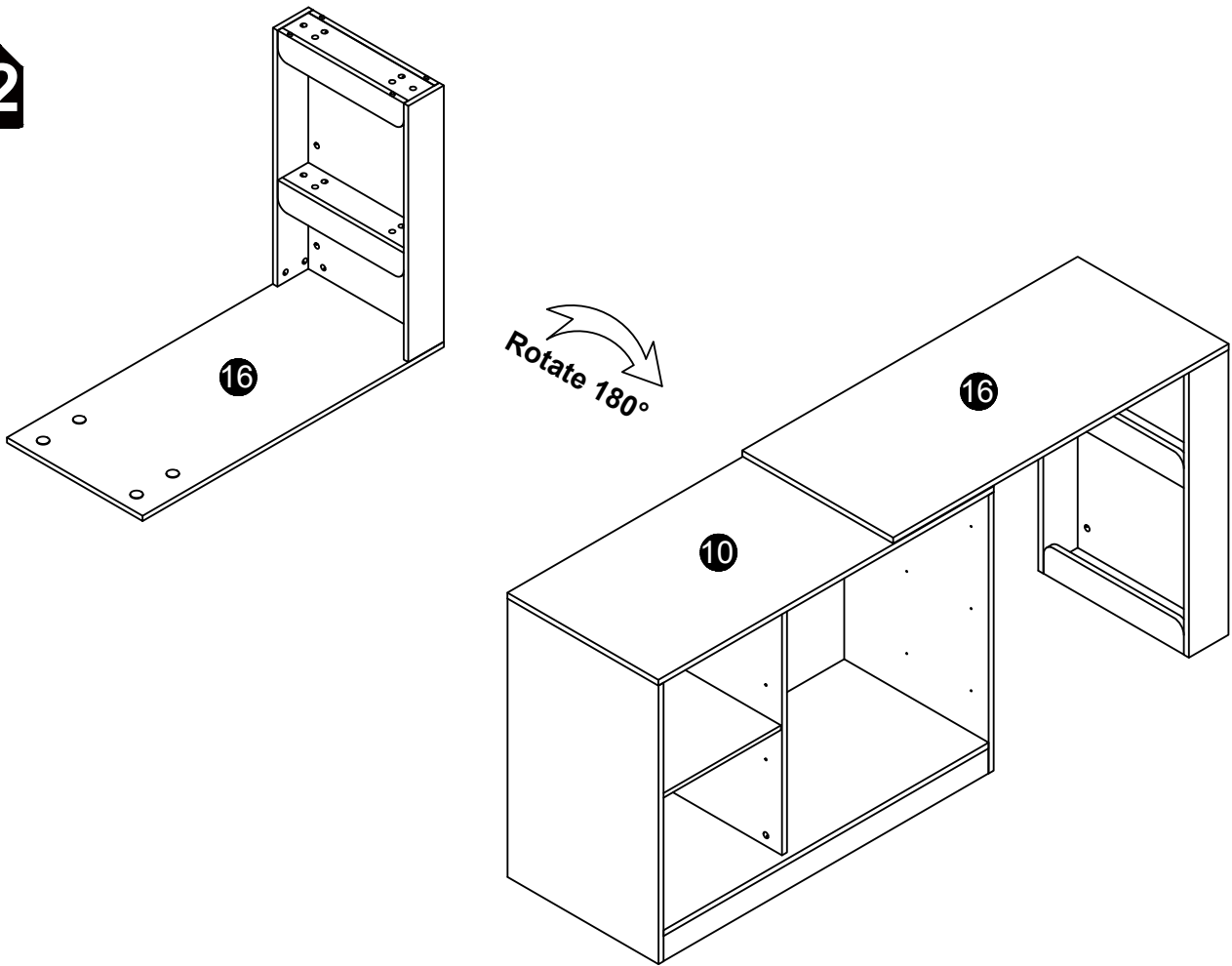


G	O
4 pcs	Ø21
	12 pcs

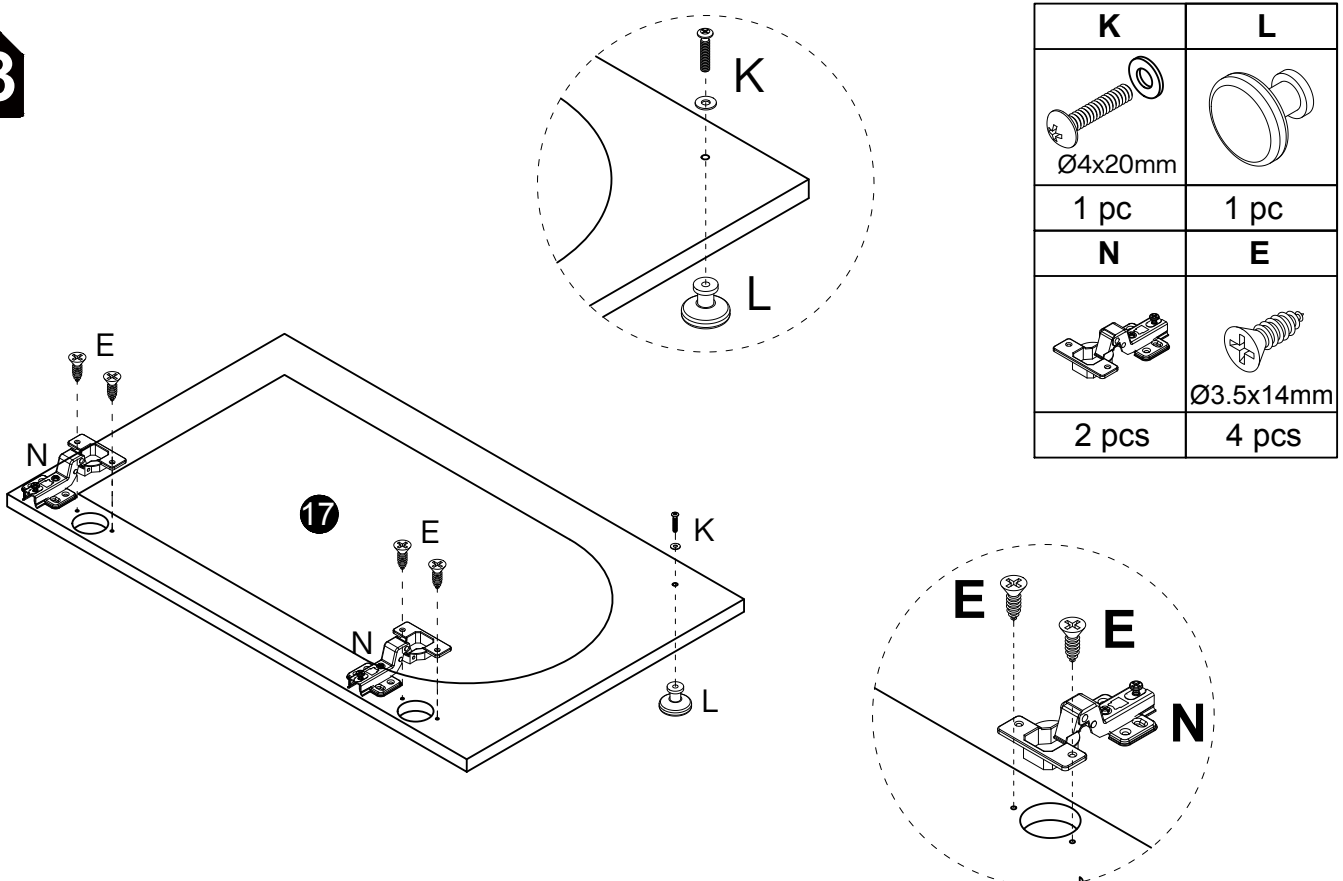




32




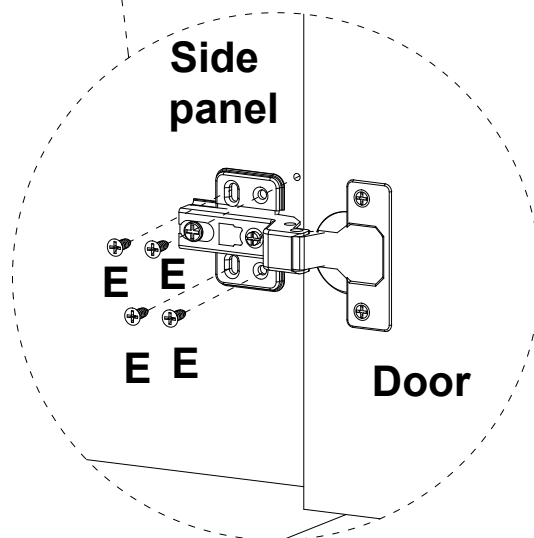
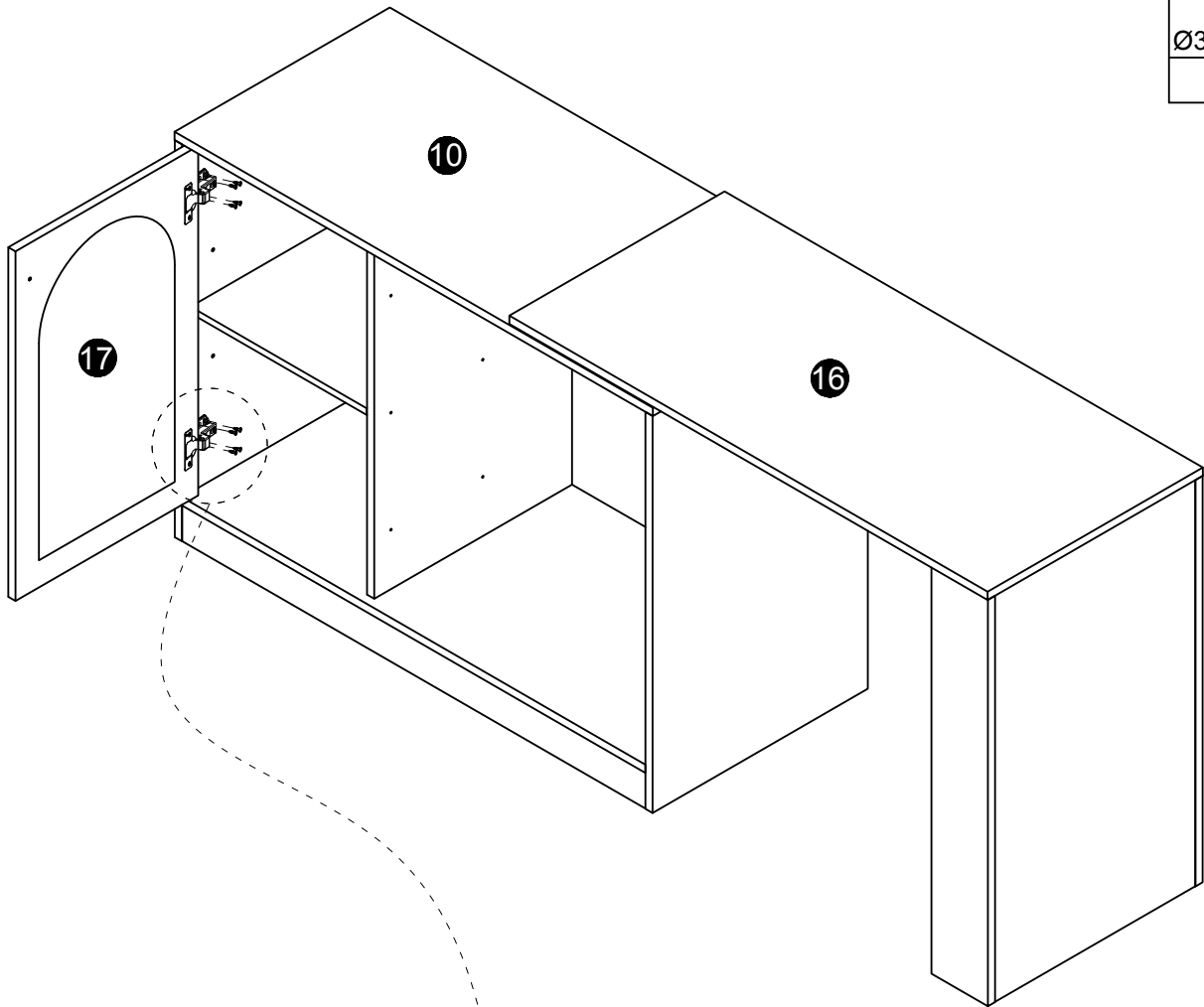
33





34

E

Ø3.5x14mm
8 pcs

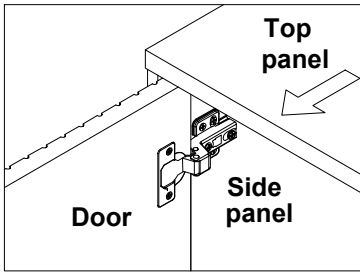


To prevent the door hinge from falling off, please install 4 screws



Step 1

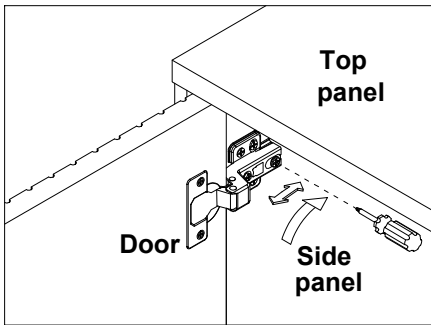
Open the door.



ADJUST YOUR DOORS TO MAKE THE GAPS MORE EVEN (OPTIONAL).

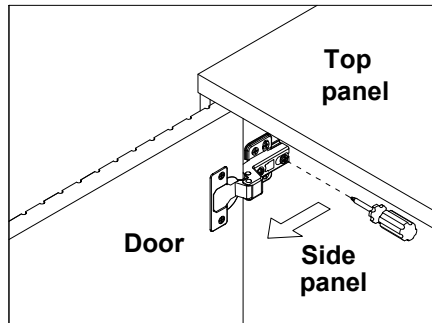
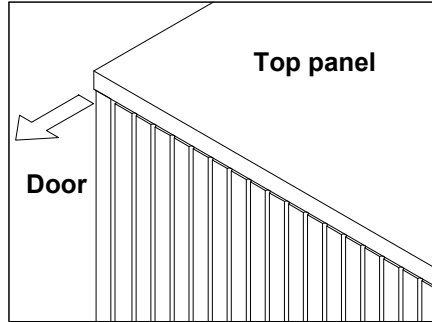
Step 2

Adjust the door panel to be flush with side panel and top panel edge.



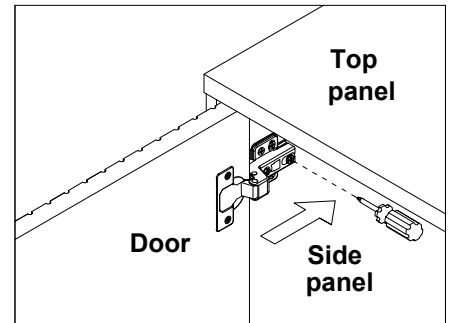
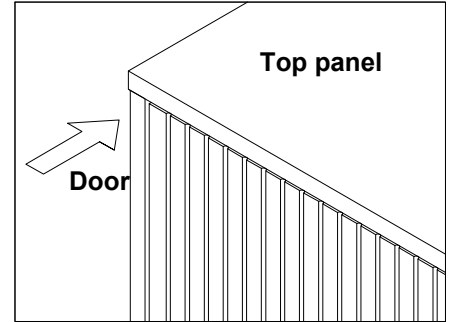
Loosen the screw indicated a little, adjust the hinge to the right position (see step 2a & 2b), then tighten the screw.

Step 2a MOVE DOOR OUT



Pull the hinge forward a little.

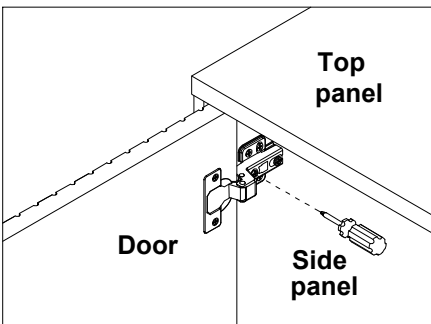
Step 2b MOVE DOOR IN



Push the hinge back a little.

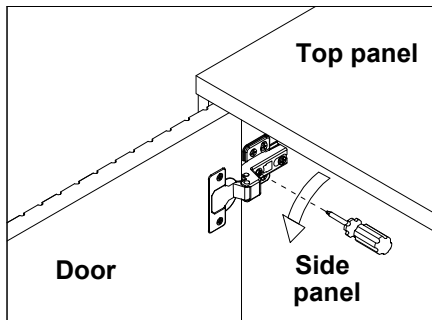
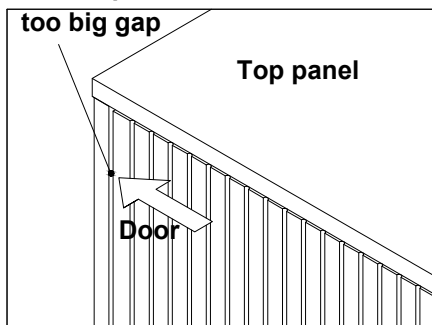
Step 3

Adjust the gap between the door panel and the side panel.



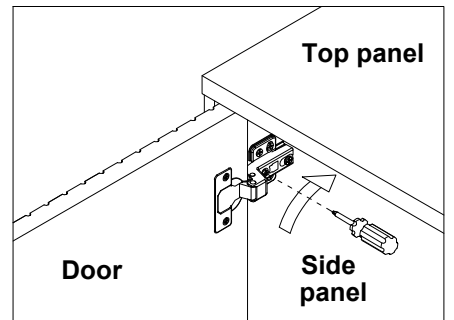
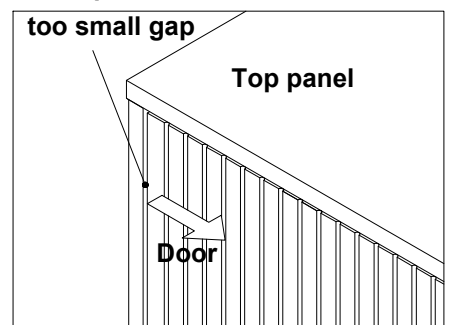
Loosen or tighten the screw indicated a little to adjust the gap between the door panels, adjust the hinge to the right position (see step 3a & 3b).

Step 3a MOVE DOOR LEFT



Turn the screw clockwise a little as shown to make the gap smaller

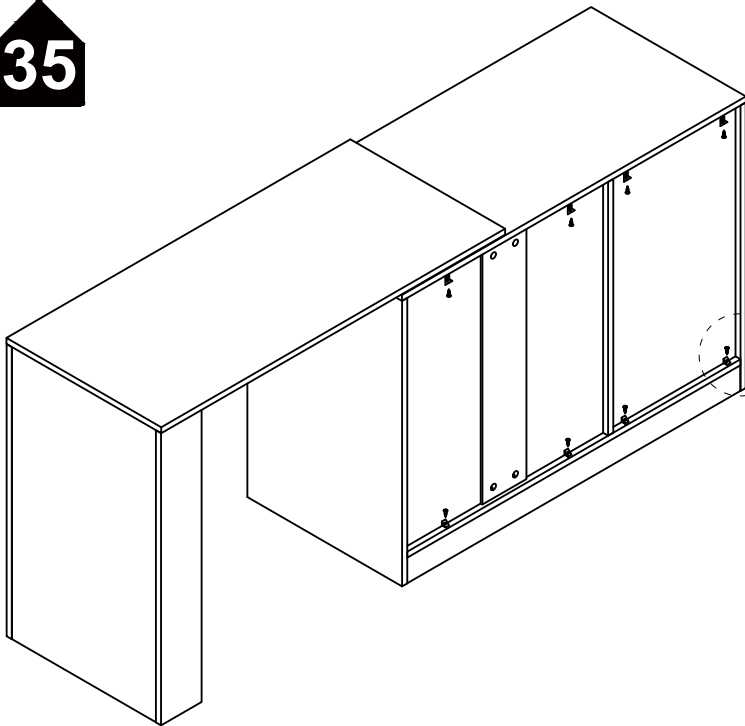
Step 3b MOVE DOOR RIGHT



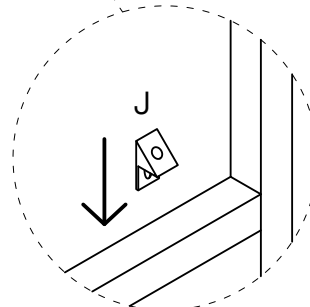
Turn the screw counterclockwise a little as shown to make the gap bigger



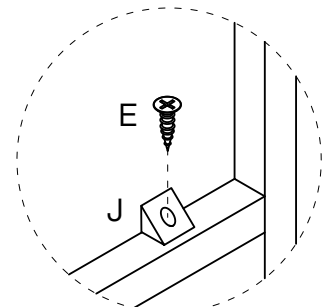
35



J	E
8 pcs	Ø3.5x14mm 8 pcs

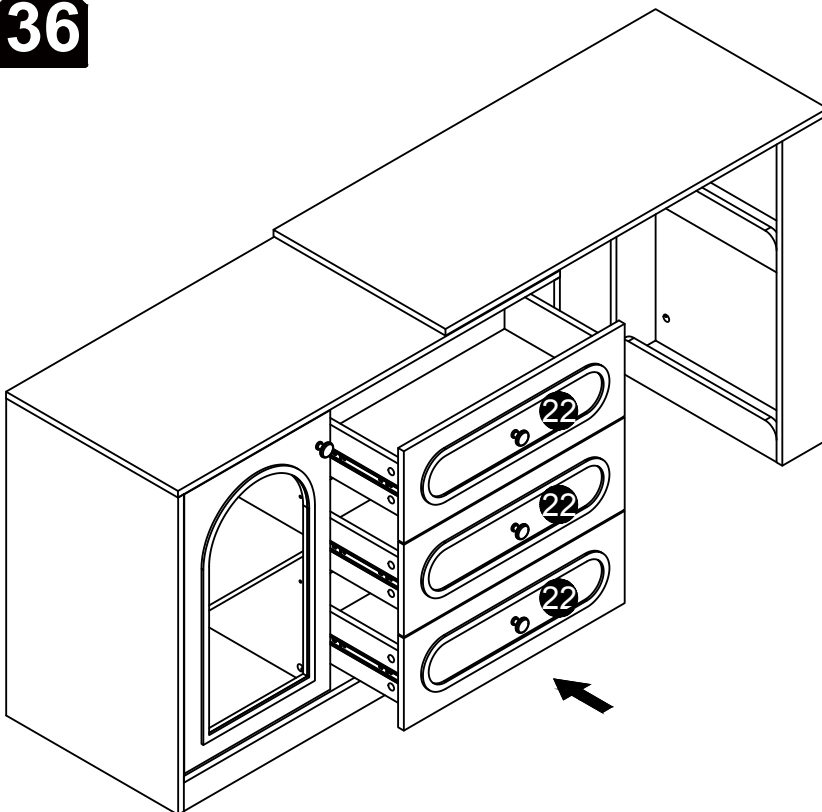


Step 1

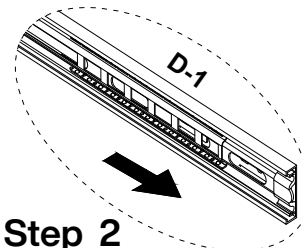


Step 2

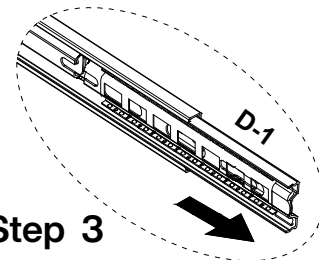
36



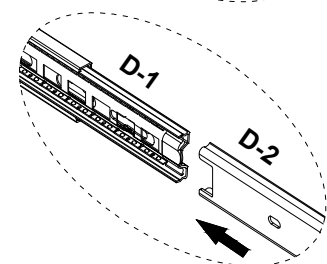
Step 1



Step 2



Step 3

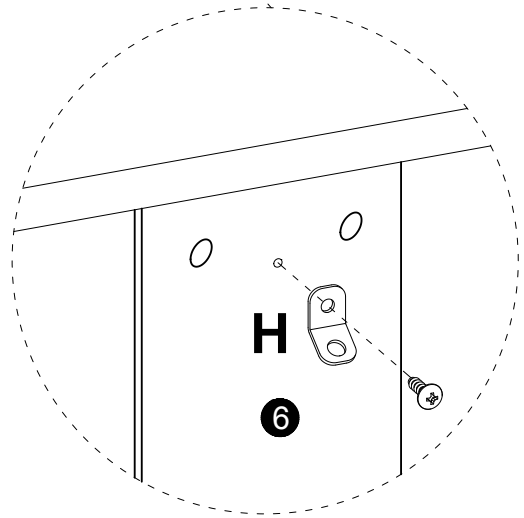
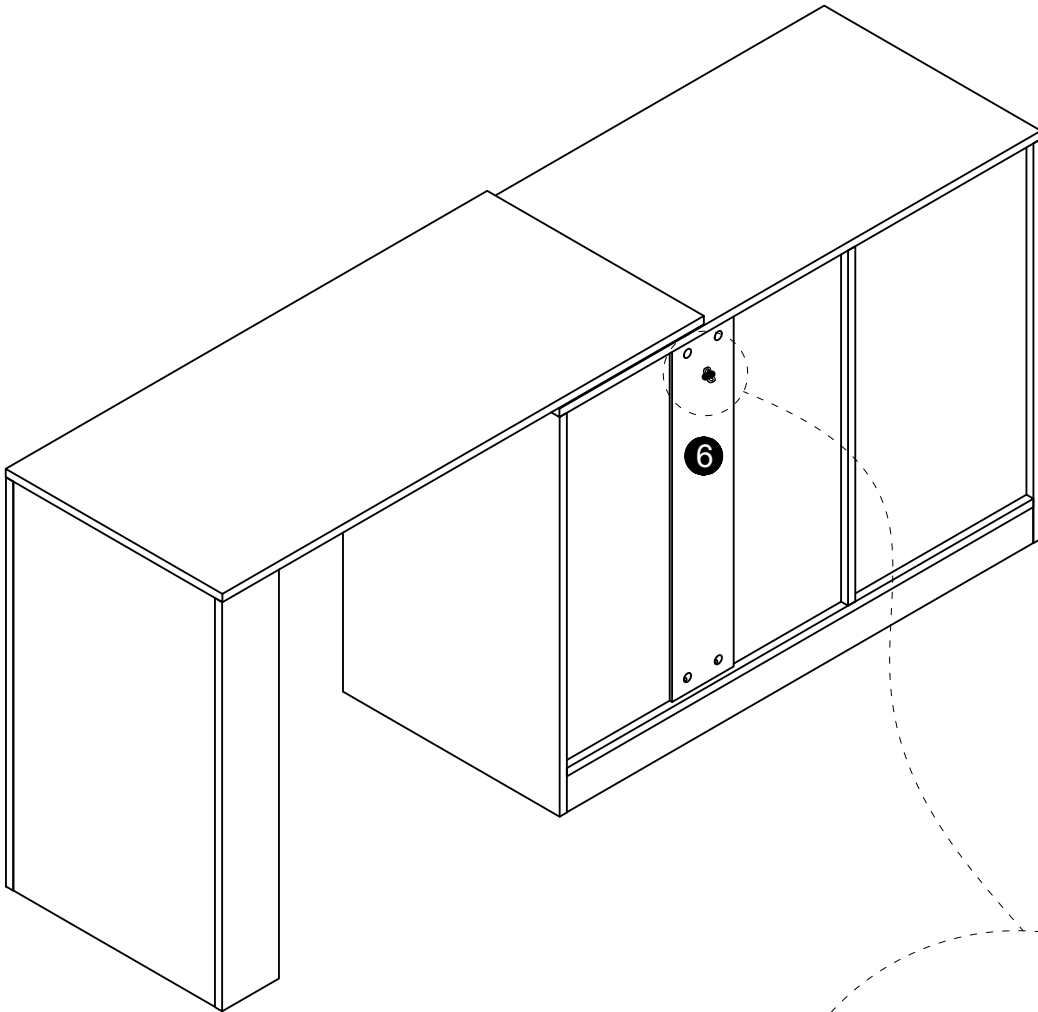


Before installation, slide the inner iron pieces of #D-1 to the outermost side. Then align it with #D-2 and gently push it inward to complete the slide installation.



37

H
1 pc

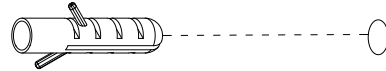




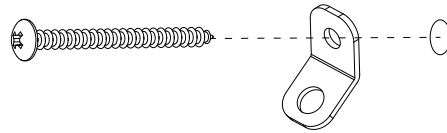
38

Wall

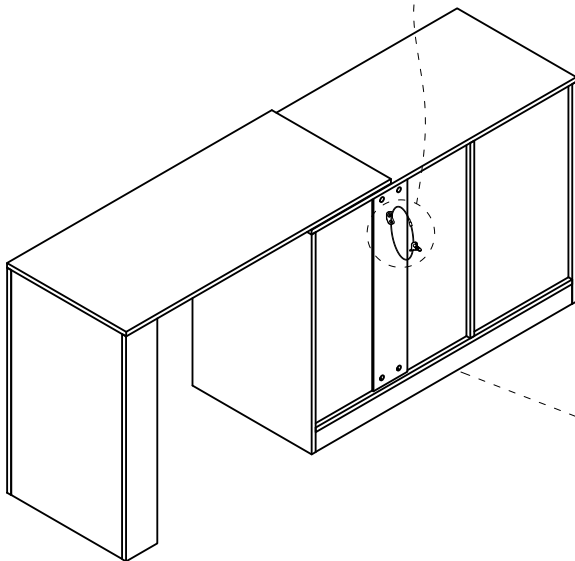
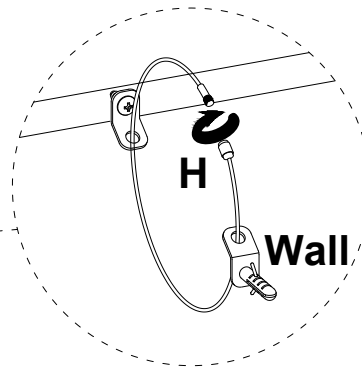
Step1



Step2



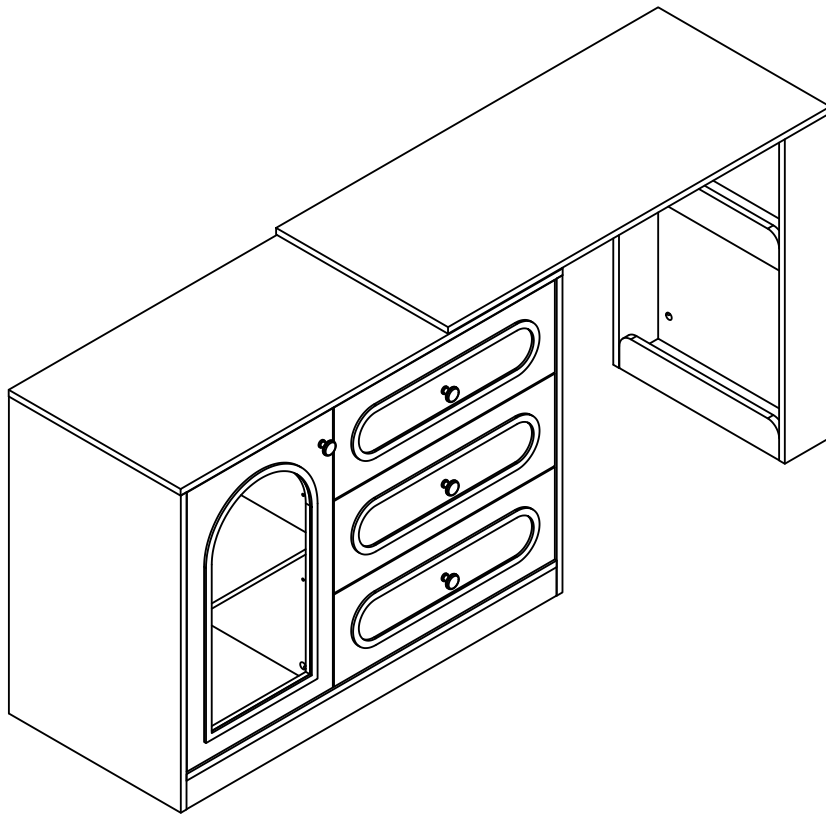
Step3





DESIGNED FOR LIFE

Thank you for your support!



Contact our customer service team



support@tribesigns.com
www.tribesigns.com



1-424-220-6888
7 AM to 8 PM EST,
Monday to Friday

Follow Tribesigns



Facebook



Instagram



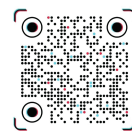
Pinterest



Twitter



YouTube



TikTok



WhatsApp