

# ASSEMBLY INSTRUCTION

## **IMPORTANT:**

Please read all the instructions and warnings before assembling. In order to make the whole product adjust to the best, please install all the screws on the product and tighten all the screws after adjusting the product which can stand on the floor even.

## **WARNING:**

- The chair is not a toy. Please don't over-swing the chair, because it could possibly make the chair tip over and results in injury. Proper use of the chair is for single person seating only. Chair tested for use at a weight of 250lbs. Improper use of this product or failure to use as directed may result in injury. This chair is not intended for commercial use.
- Moreover, the chairs are not to be used for standing purposes and they will not function as a stool or step-ladder.
- In addition, please use this chair on even surfaces only.

## **ATTENTION:**

- Please keep all children and pets away from the assembly area. In addition, children and pets should be supervised when they are in the area of product construction.

- Please make sure to keep the assembly area at least 6 feet from any obstruction such as a fence, garage, house, overhanging branches, laundry line or electrical wires.
- Some parts may contain sharp edges. Therefore, when assembling and using this product, basic safety precautions should always be followed to reduce the risk of personal injury and damage to the product. Please read all instructions before assembly and use.
- Please check all bolts for tightness before use. IMPORTANT-check and tighten bolts often to keep them secure!
- The chair is not to be used for standing purposes and will not function as a stool or step-ladder. Again, this chair is used on even surfaces only.
- The chair used at the weight of 250lbs. Improper use of this product or failure to use as directed may result in injury. Not intended for commercial use.

## **CARE&MAINTENANCE**

STAIN RESISTANT CUSHIONS CARE-KEEP THE CUSHIONS IN STORAGE IN RAINING DAY.

## **SPILLS**

Please immediately wipe up the spill using a white damp cloth. Repeat process if necessary until stain is gone. Allow the cushion to air dry.

## **FABRIC CARE**

Please use cold water and hand wash, use non-chlorine bleach when needed, lay flat to dry. Cool iron if necessary. Do not dry clean.

## **RESIN WICKER PRODUCT CARE**

Before using, please clean the product completely with a soft dry towel. Moreover, when the chair not in use, you should wipe off any dirt or lose objects, wash with a mild solution of soap and water, rinse thoroughly and dry completely. Please do not use strong detergent or abrasive cleaners. Since nuts and bolts can loosen over time, so please check nuts and bolts on all chairs, re-tighten if necessary.

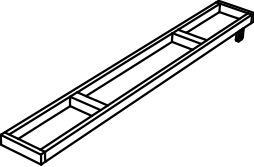
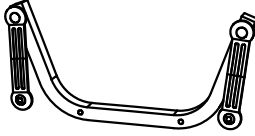
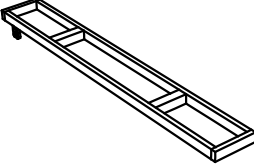
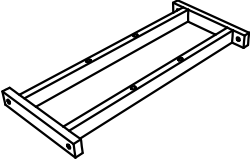

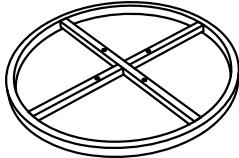


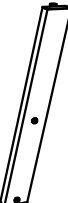
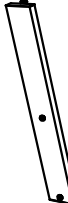
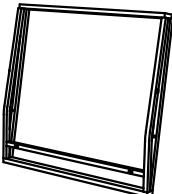
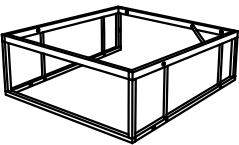
## **CUSTOMER SERVICE**

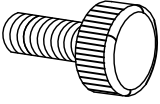
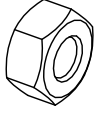
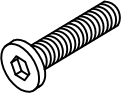

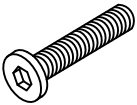
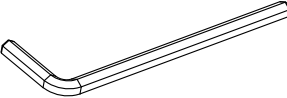
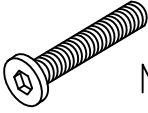
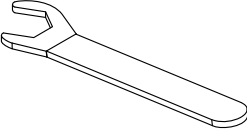
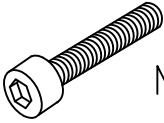
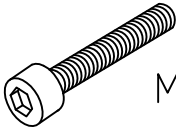


Thank you for shopping in our online store. We care customer's shopping experience. You are always welcome to contact us for any reason by email:

FURNservice24h@outlook.com

Please sent us with subject including the order ID /tracking number. We will response your question in time. If you are satisfied with the product, please also let us know. We truly appreciate your support.

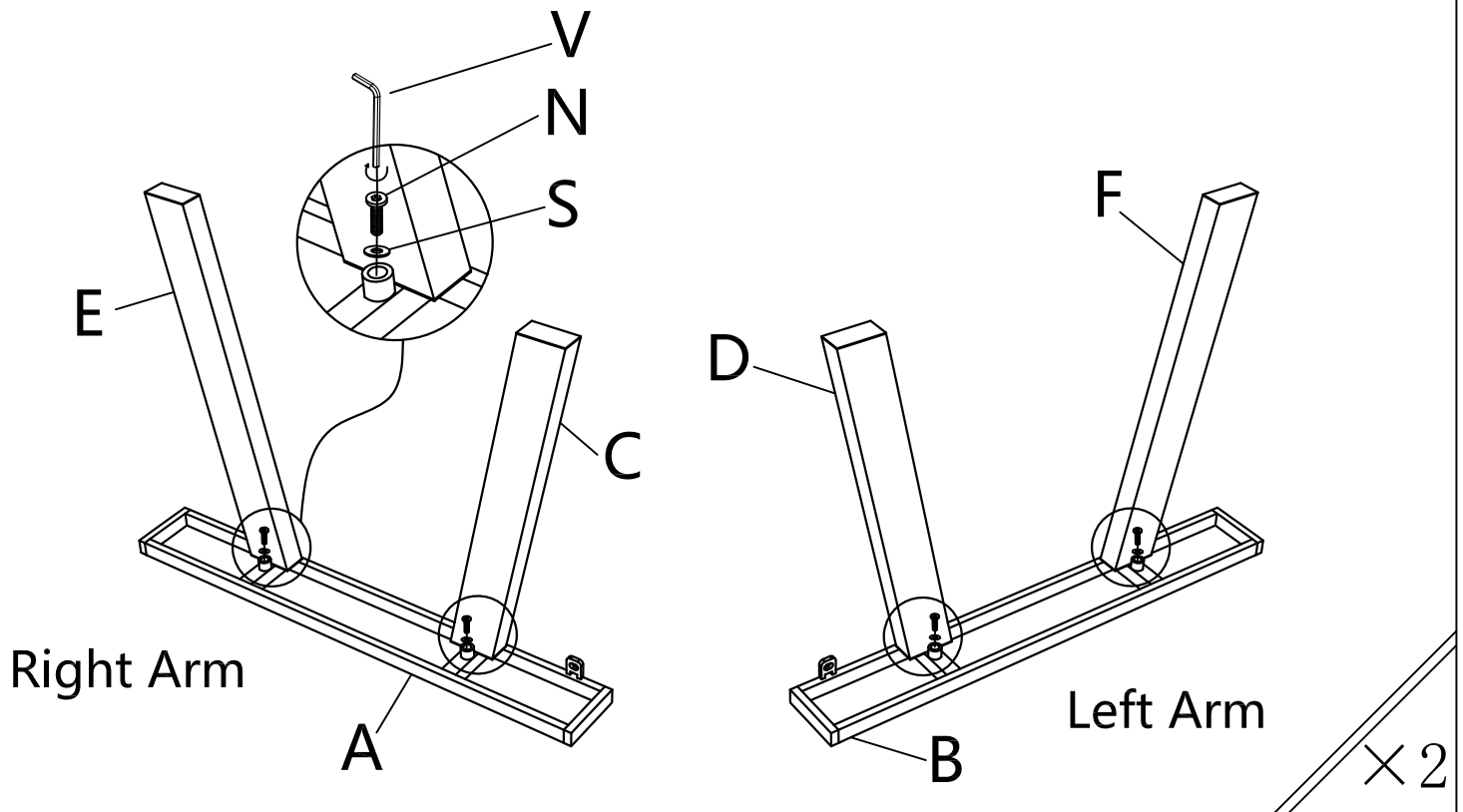
# SWIVEL CHAIR SPARE PARTS LIST

A	 <p style="text-align: right;">R</p>	2PCS	I		4PCS
B	 <p style="text-align: right;">L</p>	2PCS	J		2PCS
C	 <p style="text-align: right;">R</p>	2PCS	K		2PCS
D	 <p style="text-align: right;">L</p>	2PCS	L		2PCS
E	 <p style="text-align: right;">R</p>	2PCS			
F	 <p style="text-align: right;">L</p>	2PCS			
G		2PCS			
H		2PCS			

M	 16PCS	U	 32PCS
N	 M6*30 12PCS	V	 1PC
O	 M6*35 24PCS	W	 1PC
P	 M6*45 8PCS	X	 1PC
Q	 M6*45 8PCS		
R	 M6*50 8PCS		
S	 1MM 92PCS		
T	 2MM 8PCS		

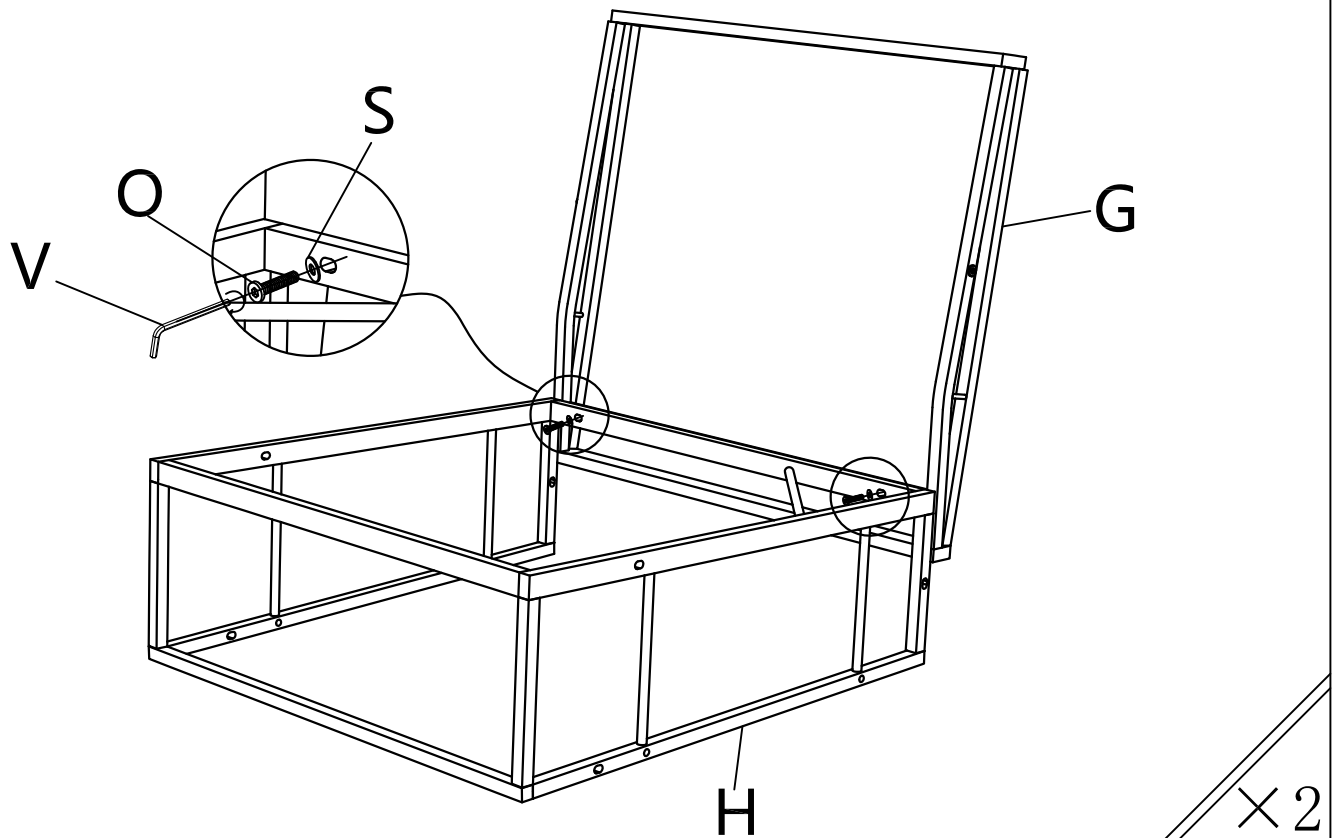
A×1 D×1 N×4  
 B×1 E×1 S×4  
 C×1 F×1 V×1

Step 1-1: Secure E&C to assembled arm A with 2 screws (N, S) by using allen wrench(V). Do not fully tighten now.  
 Step 1-2: Secure F&D to assembled arm B with 2 screws (N, S) by using allen wrench(V). Do not fully tighten now.



G×1 O×2  
 H×1 S×2  
 V×1

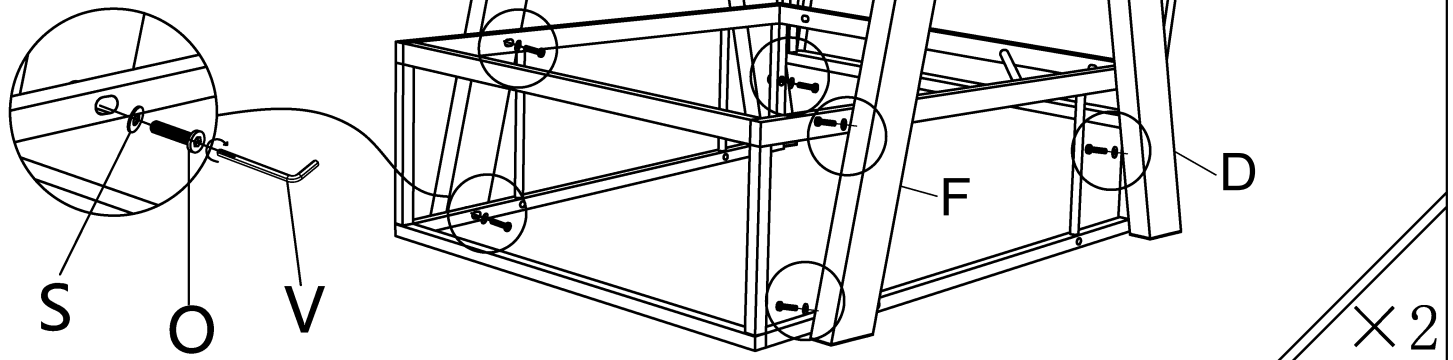
Step 2: Secure chair back G to assembled seat panel H with 2 screws (O, S) by using allen wrench(V). Do not fully tighten now.



**N×2** Step 3: Based on the step 1&step 2, secure left and right arms to assembled seat panel with 6 screws (O, S) by using allen wrench(V). Do not fully tighten now. Secure left and right arms to assembled chair back with 2 screws (S, N) by using allen wrench(V). Do not fully tighten now.

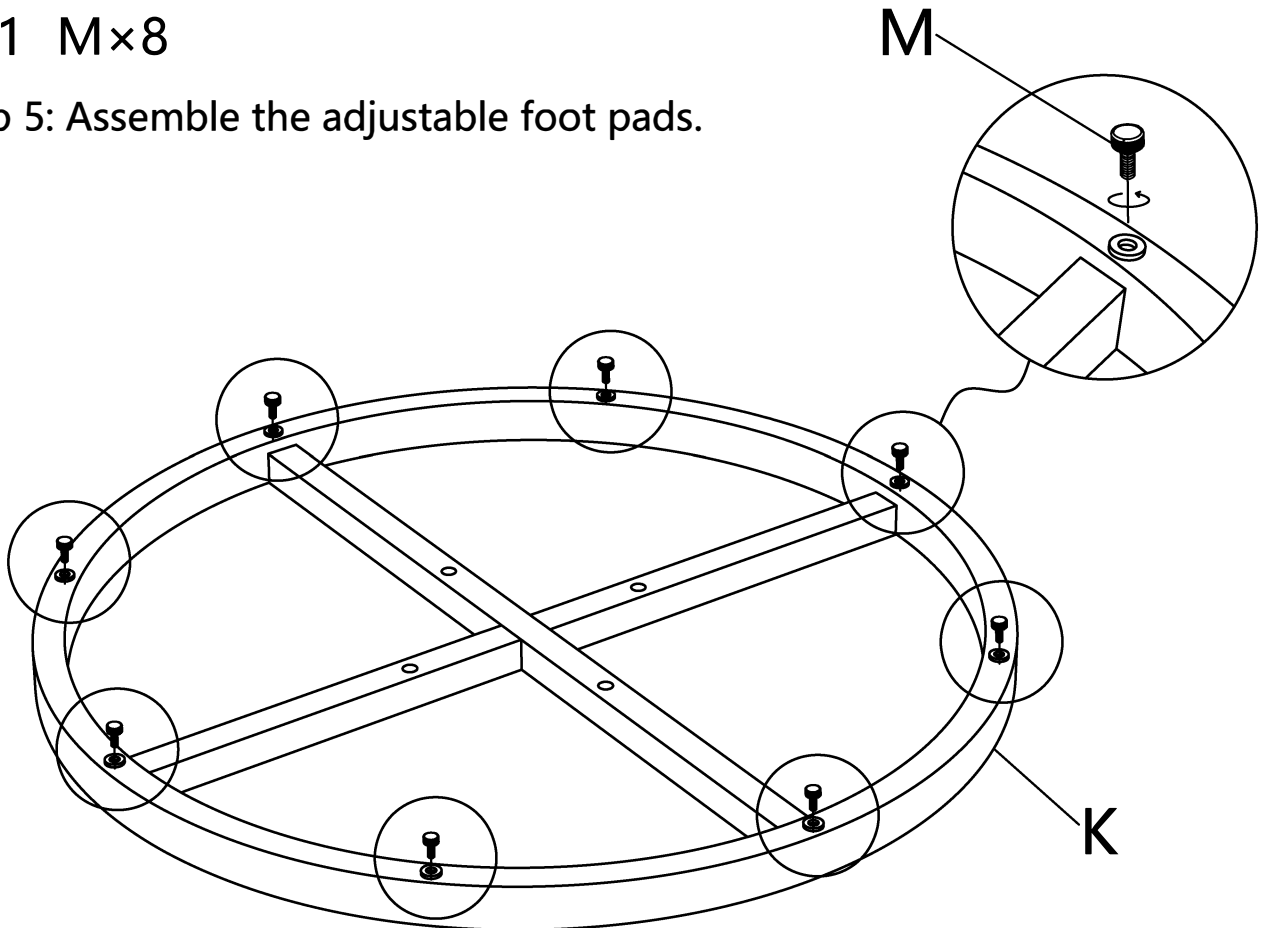
**O×6**  
**S×8**  
**V×1**

Step 4: Verify the alignment and adjust on a smooth flat surface, fully tighten all the screws now.



**K×1** **M×8**

Step 5: Assemble the adjustable foot pads.

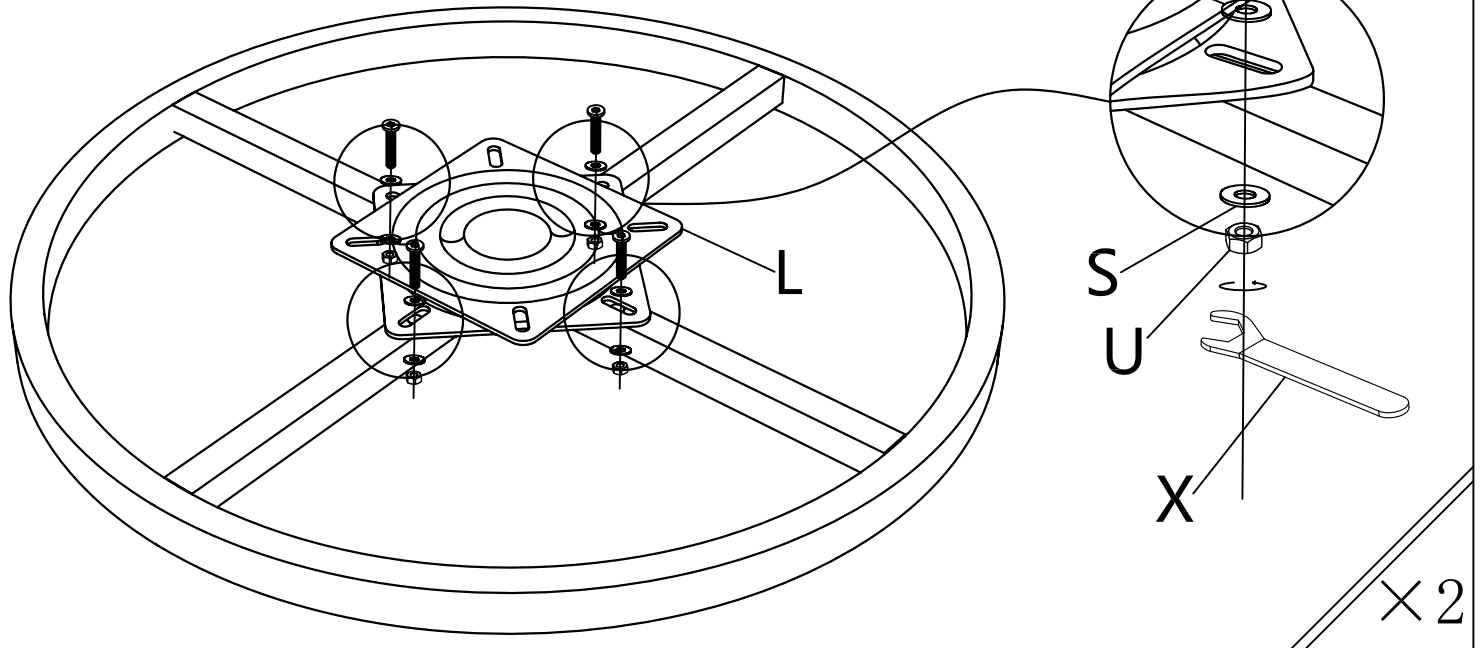


×2

L×1 S×8 V×1  
 O×4 U×4 X×1

Step 6: Connect the plate L and base K. Secure the plate L to assembled base with 4 screws (O, U, 2\*S) by using allen wrench(V&X). Do not fully tighten now.

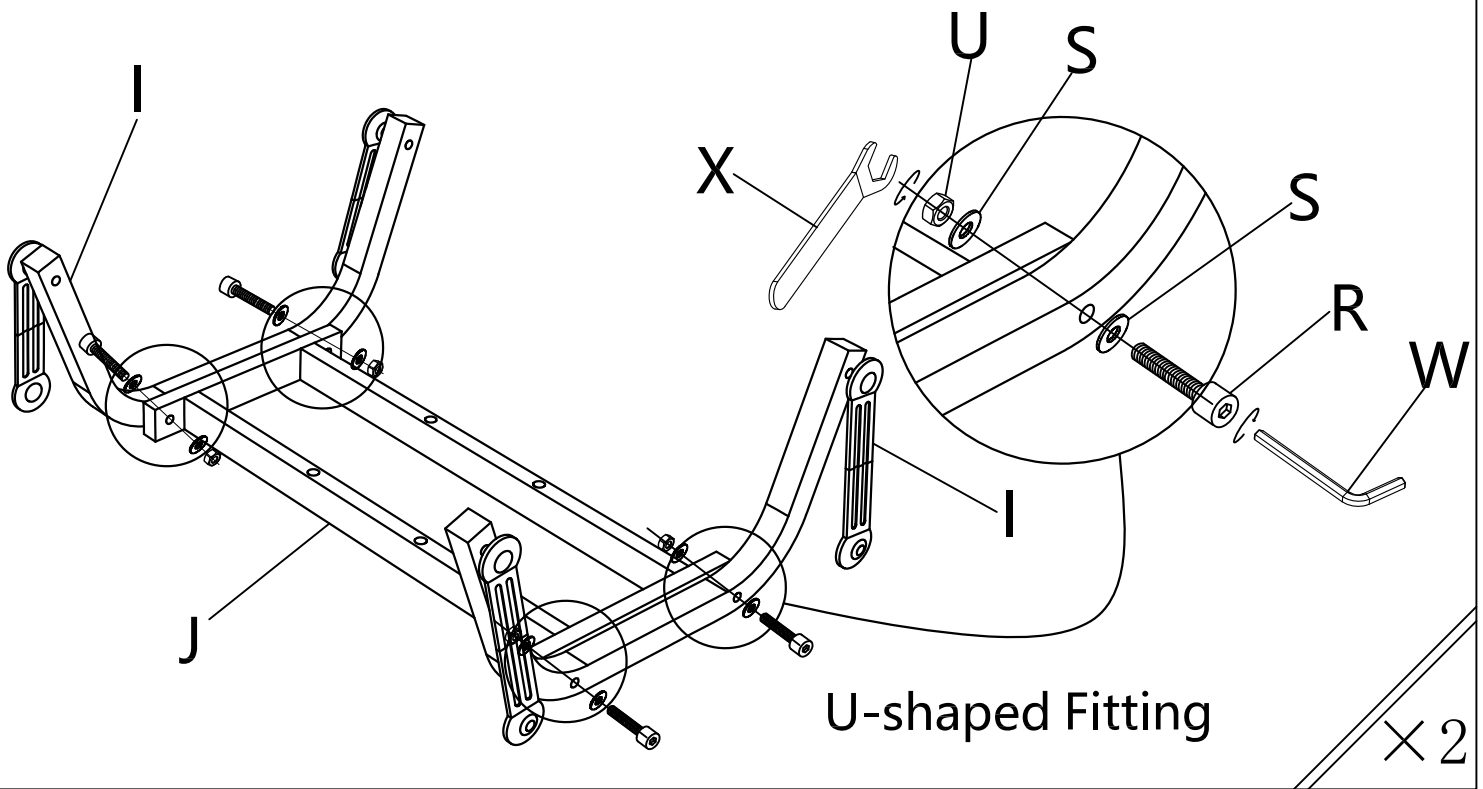
Step 7: Verify the alignment and adjust on a smooth flat surface, fully tighten all the screws now.



I×2 R×4 W×1  
 J×1 S×8 X×1  
 U×4

Step 8: Connect the U-shaped I and link bar J with 4 screws (R, U, 2\*S) by using allen wrench(W&X). Do not fully tighten now.

Step 9: Verify the alignment and adjust on a smooth flat surface, fully tighten all the screws now.

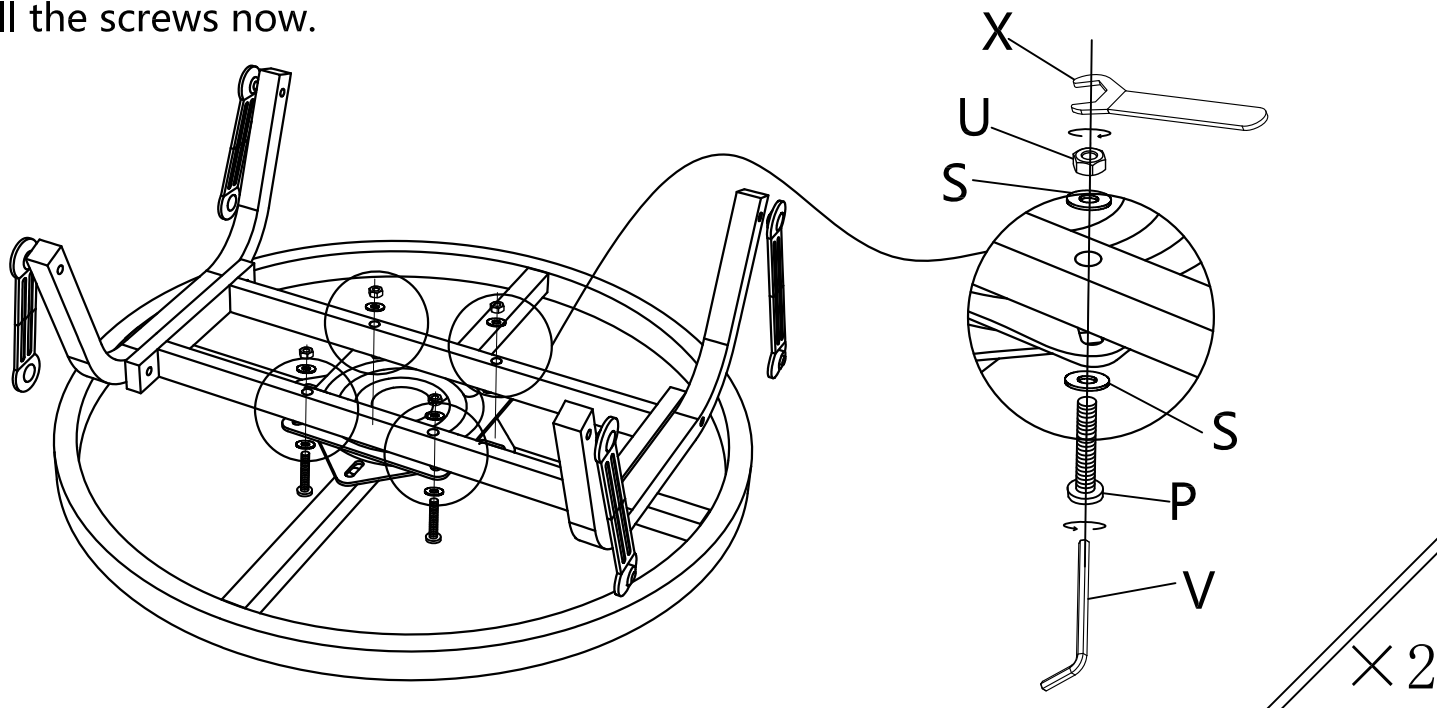


P×4 U×4 X×1

S×8 V×1

Step 10: Based on the step 6&8, connect the U-shaped fitting and base. Secure the U-shaped fitting to assembled base with 4 screws (U, P, 2\*S) by using allen wrench(V, X). Do not fully tighten now.

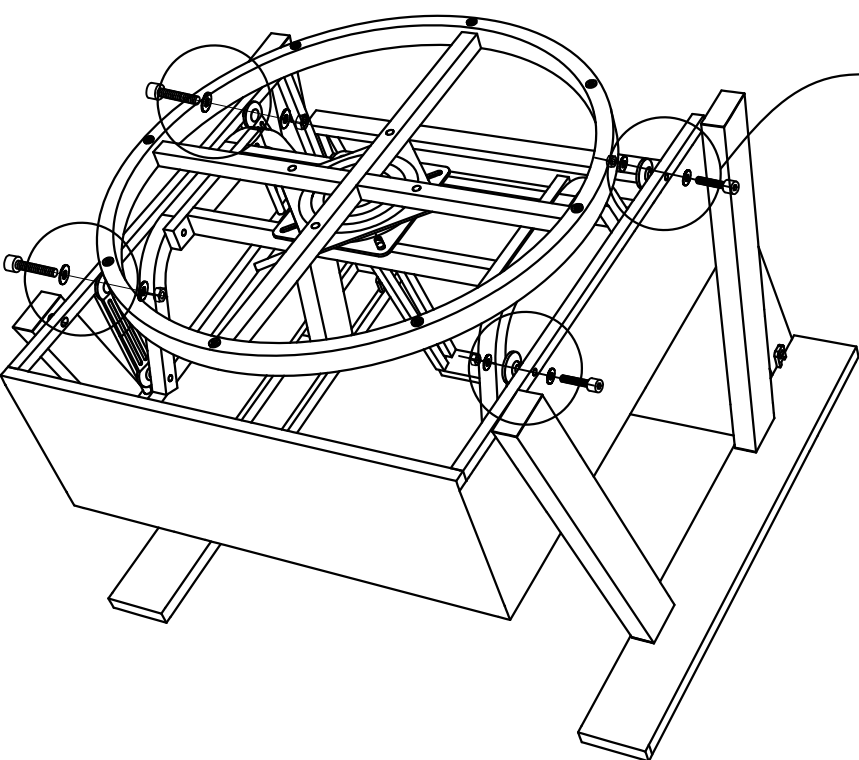
Step 11: Verify the alignment and adjust on a smooth flat surface, fully tighten all the screws now.



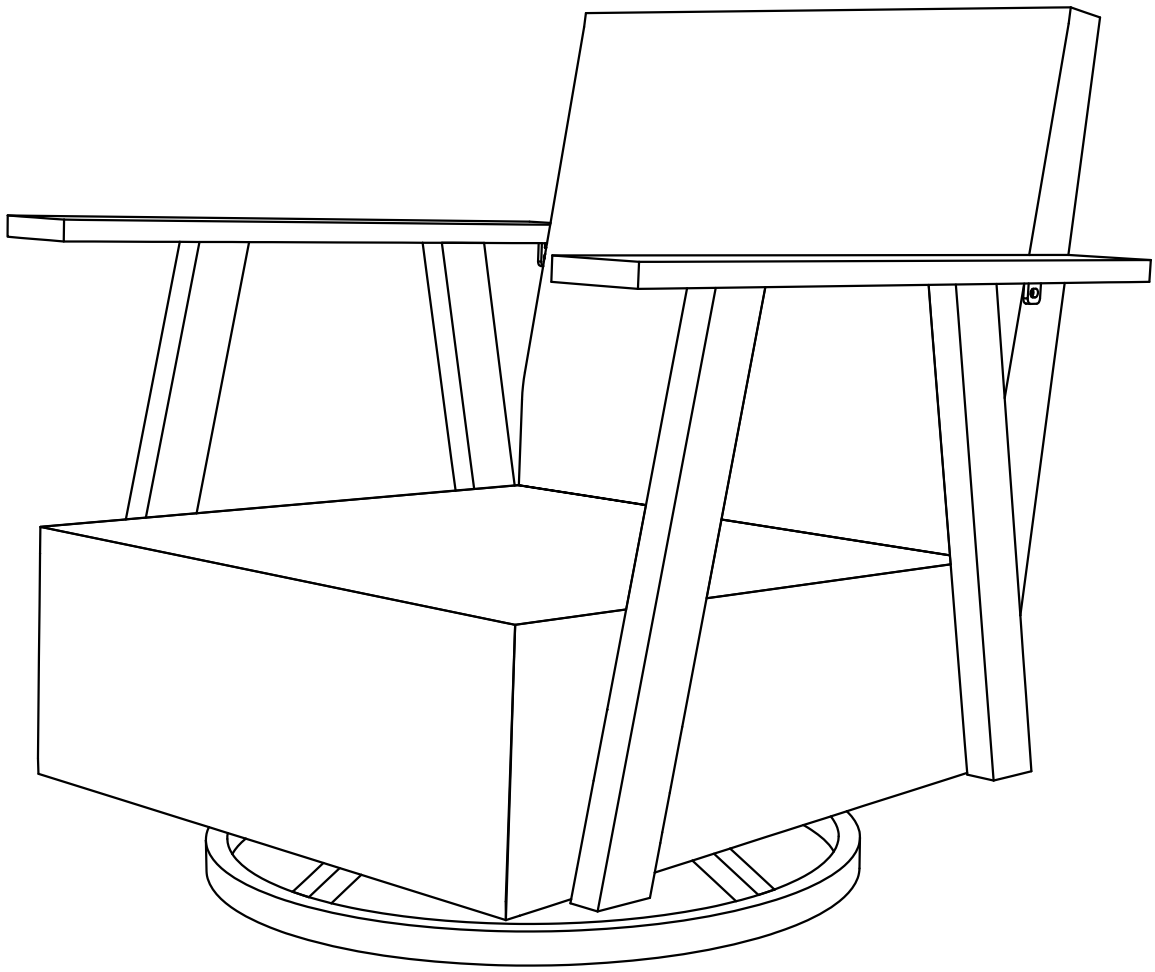
Q×4 U×4

S×8 W×1

T×4 X×1



Step 12: Connect the chair and base with swing arm. Secure the swing arm (on the U-shaped fitting) to assembled chair with 4 screws (U, T, Q, 2\*S) by using allen wrench (X & W). Step 13: Verify the alignment and adjust on a smooth flat surface, fully tighten all the screws now.



## WARNING



THIS CHAIR IS NOT A TOY. DON'T OVER-SWING THE CHAIR. OVER-SWINGING THE CHAIR MAY MAKE THE CHAIR TIP OVER AND RESULT IN INJURY.



DO NOT STAND ON THE CHAIR. Any improper use of this product may result in injury.