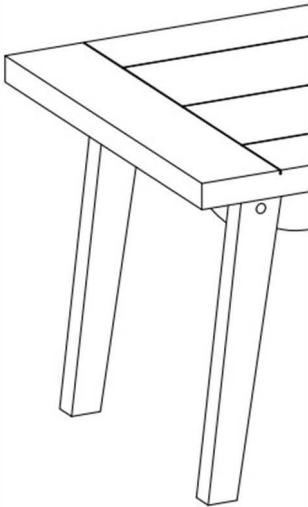


# Owner Manual



# WARRANTY

We strive to offer high quality product and we also try our best to satisfy each customer that order from us, no matter on products or services as needed. Each customer receives a record of their order, such as the order number or item receipt. For any items that are out of warranty period, you may still be able to purchase the replacement parts from our company if they are available.



Are you having difficulty with assembly? Missing parts? Send an email with your order No. to us For return, please check the return policy with the retailer or platforms you bought from. Appreciate your purchasing from us. Pop up your life by our furniture !

# MAINTENANCE AND WARNING

Please read the manual thoroughly  
before you start installing.

Please keep the product away from  
sharp object.

Packaging and small parts may have  
chocking hazard, please keep them away  
from children and pets.

Please clean the product according to each  
clean code, check the product description  
for more information.

Please keep the product away from  
fire.

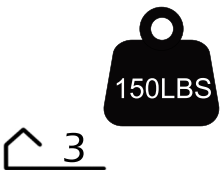
If you have any other questions, please  
contact us, we will be glad to help you out.

If the product is placed under direct  
sunlight, the pattern or color might fade  
away overtime.

Check the product periodically to make  
sure everything is secured and tightened.

Always use proper tools for installation.

Do not jump on the product.



Around 25 min

# PRODUCT DESCRIPTION

Crafted from high quality solid wood for durability and strength.

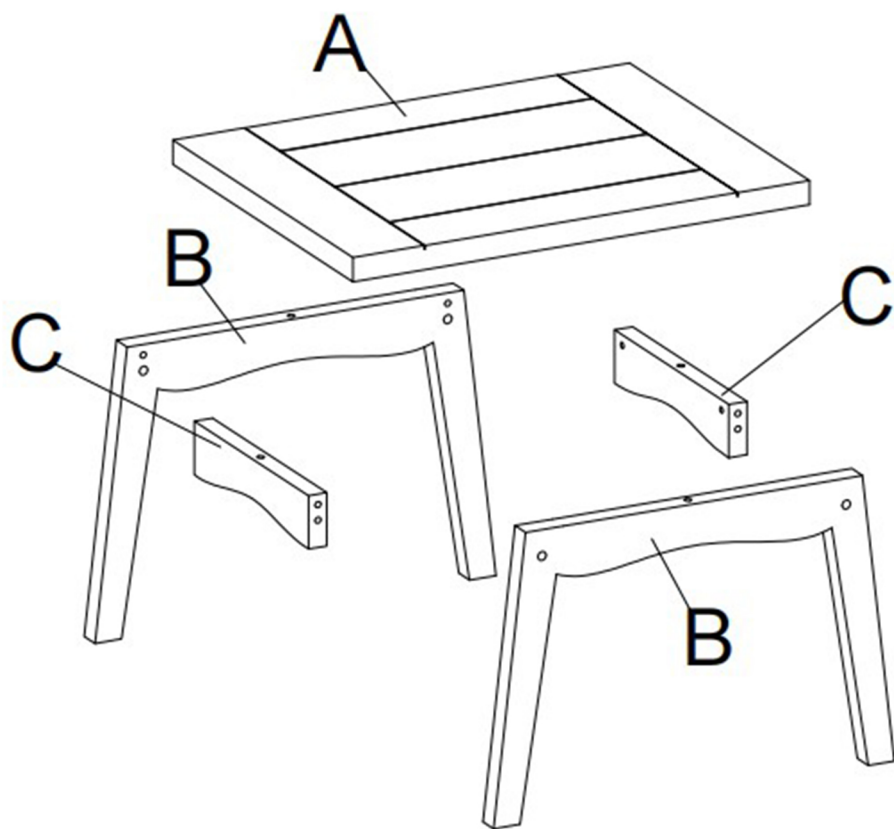
Weather resistant finish ensures the table lasts year round, rain or shine.

Perfect for placing drinks, snacks, or other essentials during outdoor relaxation.

Strong and reliable construction, built to withstand tough outdoor conditions.

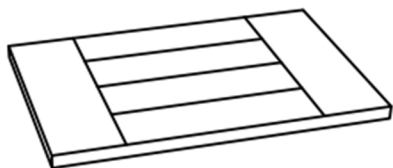
Adds both practical functionality and elegant style to your patio or outdoor space.

# EXPLODED VIEW



# PARTS

Ax1



Tabletop

Bx2

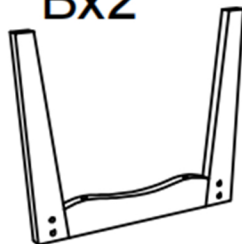


Table legs

Cx2



Side rails

# HARDWARE

## TOOL LIST

NOTE: Designated with (★) We provide additional spare parts in the hardware package

①x10



★ M6\*45mm

③x1



Allen wrench

④x4



★ Nuts

⑤x4



★ Plastic caps

⑥x4

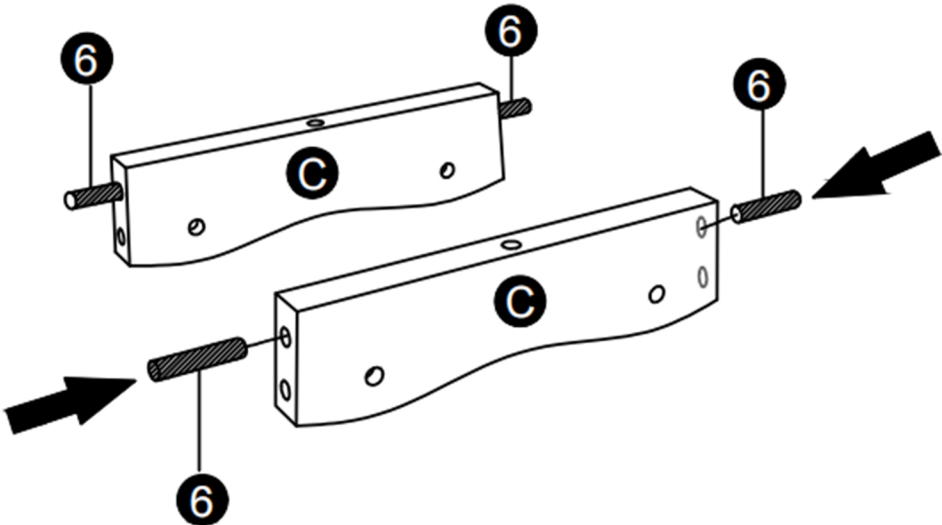


★ Wooden pegs

Please make sure all hardware&packing material fitting the list. Especially some small accessories may be missing during transportation. Please contact us if you have any question.

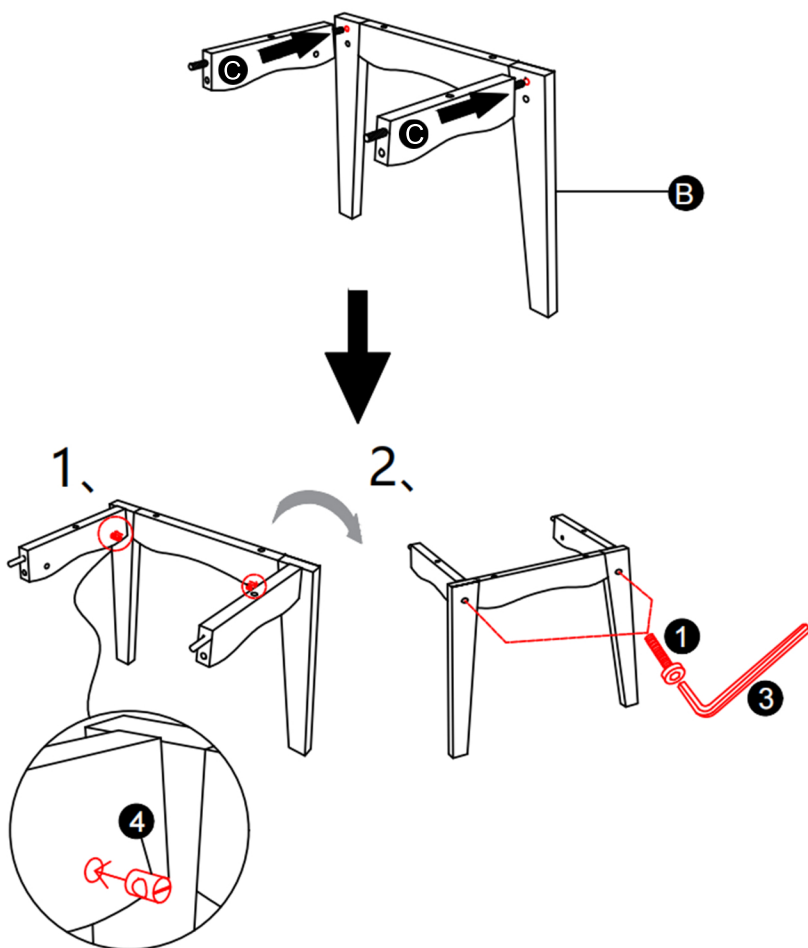
# step 1

Insert the wooden pegs (6) into the side rails (C).



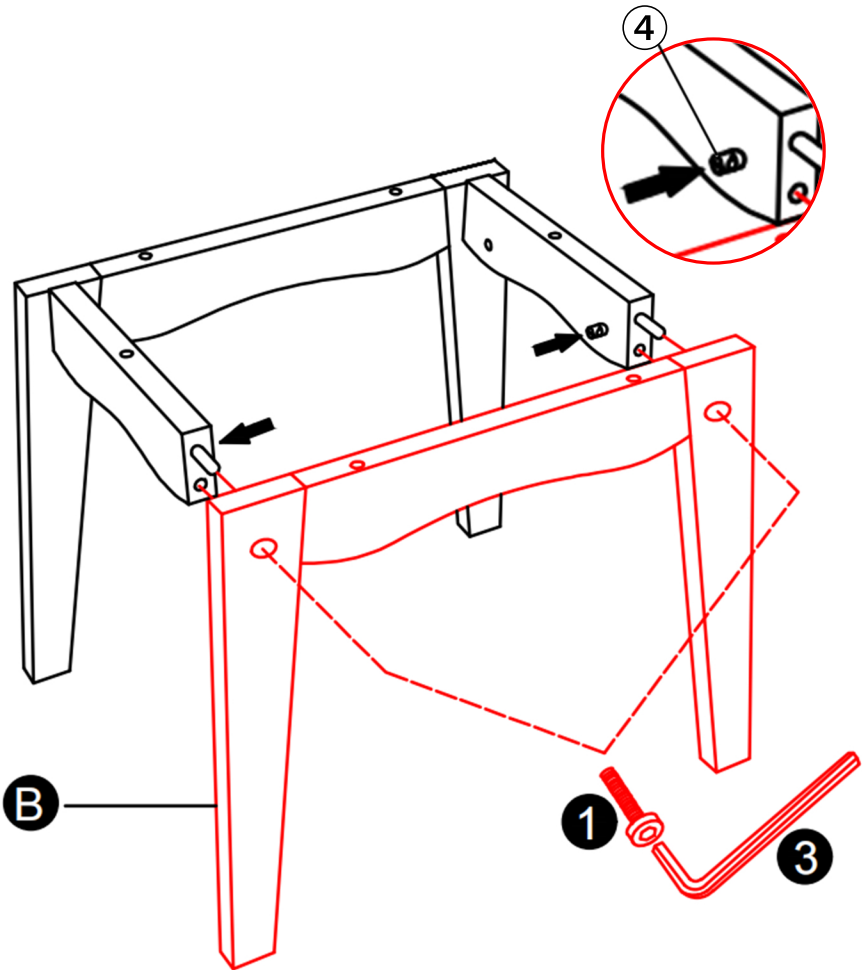
# step 2

Connect the side rails(C) to the legs(B) by first inserting a wooden pegs into the leg. Insert a flat-head nut (4) into the hole. Tighten the screw (1) using an Allen wrench(3).



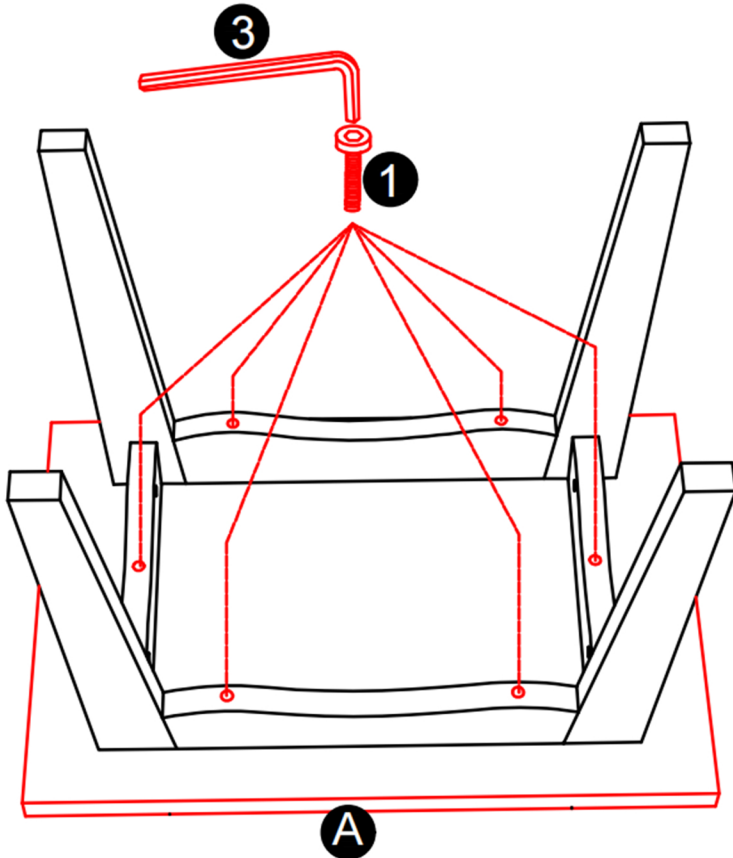
# step 3

Insert the wooden peg into the other side of the leg. Insert a flat-head nut(4) into the hole. Connect the side rail to the leg and secure it by tightening the screw (1) with an Allen wrench(3).



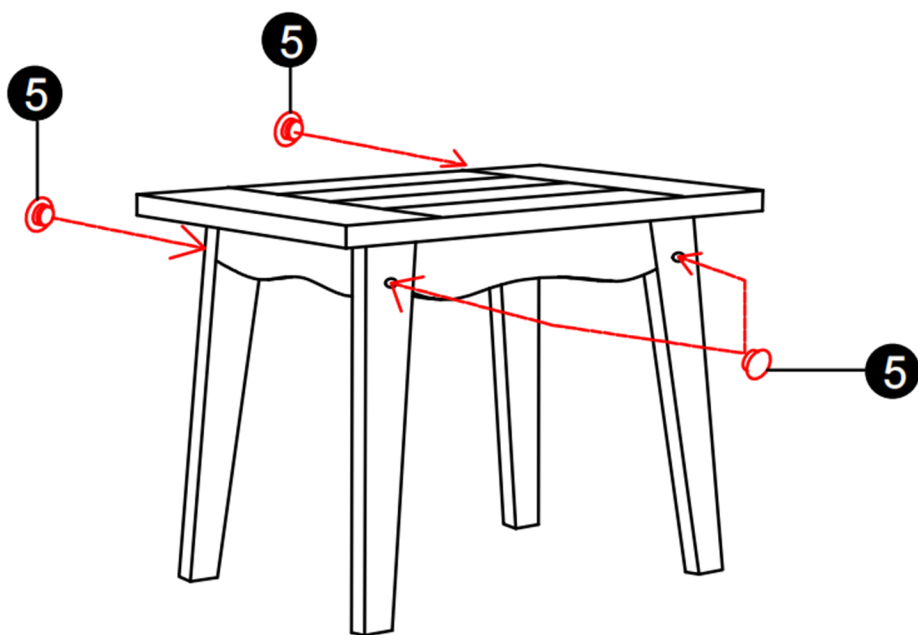
# step 4

Use screws (1) and an Allen wrench(3) to assemble the lower section with the tabletop (A).



# step 5

Cover the screw holes with plastic caps (5).



# step 6

Assemble complete! Thank you for choosing our product!  
Please enjoy!

