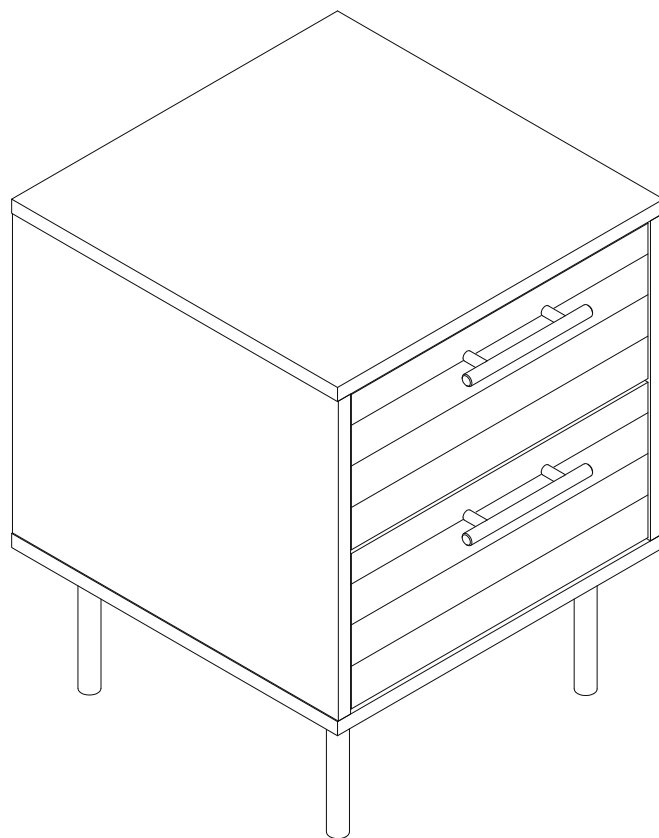


# 2-Drawers End Table



ASSEMBLY INSTRUCTIONS



**60** min. assembly

**2** person

\*The estimated assembly time may vary depending on the individual.

# Hey, there

Now is assembly time!

Deeeeeeep breathe.... and again....  
Tools ready,  
Easy peasy!

## Estimated



**60** min. assembly  
**2** person

## Tools Required

- Allen Wrench (included)
- Phillips screwdriver (not included)
- Power Drill (not included)

**important:** *Cautious when you use power tools*

Thank you for purchasing this LuxenHome product. This product has been manufactured with the highest standards of safety and quality.

### **PLEASE READ ALL INSTRUCTIONS CAREFULLY BEFORE ASSEMBLY.**

Un pack all parts from the packaging inside the carton to ensure there are no missing or damaged parts. Lay out all the parts on a clean, flat, and soft surface to prevent scratches. Refer to the steps provided as assembling guide.

Do not attempt to assemble or use the product if any parts are missing or damaged.

## **REMINDERS**

### **SAFE USAGE IS KEY**

Your well-being is our top priority when you use our product. Please prioritize your safety by diligently following the assembly guidelines and inspecting the product carefully both when it arrives and before each use.

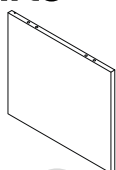
Please be aware that LuxenHome and Winsome House, Inc. cannot be held liable for any injuries or fatalities that occur due to not adhering to the provided instructions or misuse of the product.

### **DO NOT MODIFY**

Our products undergo rigorous testing to ensure they meet established safety standards before being released for sale. Altering the product in any way can lead to serious safety concerns, for which LuxenHome cannot assume responsibility.

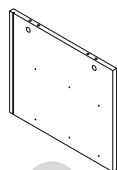
# What's in the box

## Parts



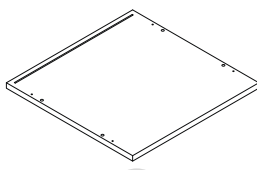
1 X 1

Left side panel



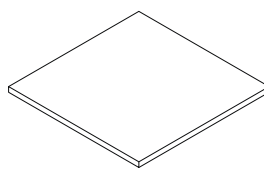
2 X 1

Right side panel



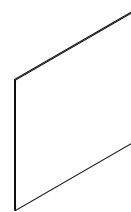
3 X 1

Bottom panel



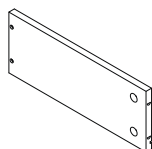
4 X 1

Top panel



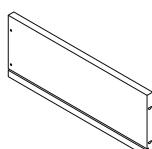
5 X 1

Back panel



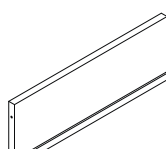
6 X 2

Left Drawer side panel



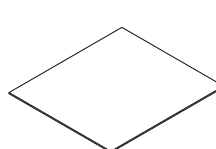
7 X 2

Right drawer side panel



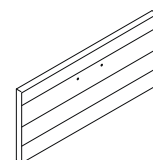
8 X 2

Drawer back panel



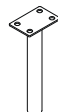
9 X 2

Drawer bottom panel



10 X 2

Drawer front panel



11 X 4

Metal leg

## Hardware & Accessory



A X 12+2

M6 x 36mm



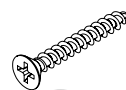
B X 12+2

M15 x 9mm



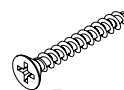
C X 8

M5.8 x 30mm



D X 5

M4 x 35mm



E X 8

M4 x 30mm



F X 24+3

M3.5 x 12mm

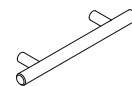


G X 1



H X 16+2

M6 x 12mm

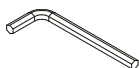


I X 2



J X 4

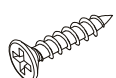
M4 x 18mm



K X 1



L X 4



M X 4

M3 x 16mm

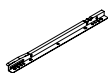


N X 1



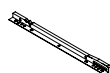
O X 1

M4 x 14mm



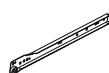
DL X 2

Left inner drawer runner



DR X 2

Right inner drawer runner



CL X 2

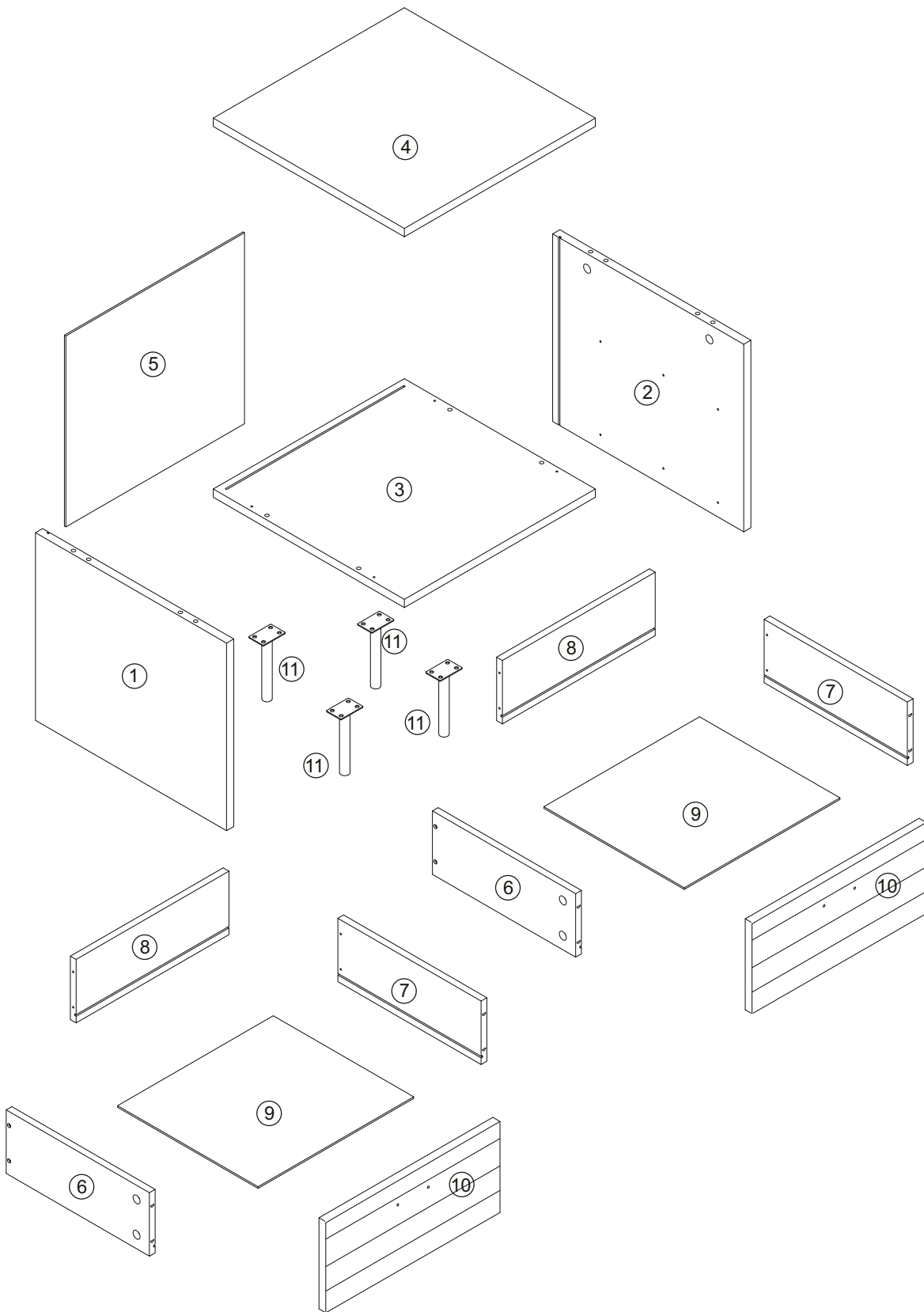
Left outer drawer runner



CR X 2

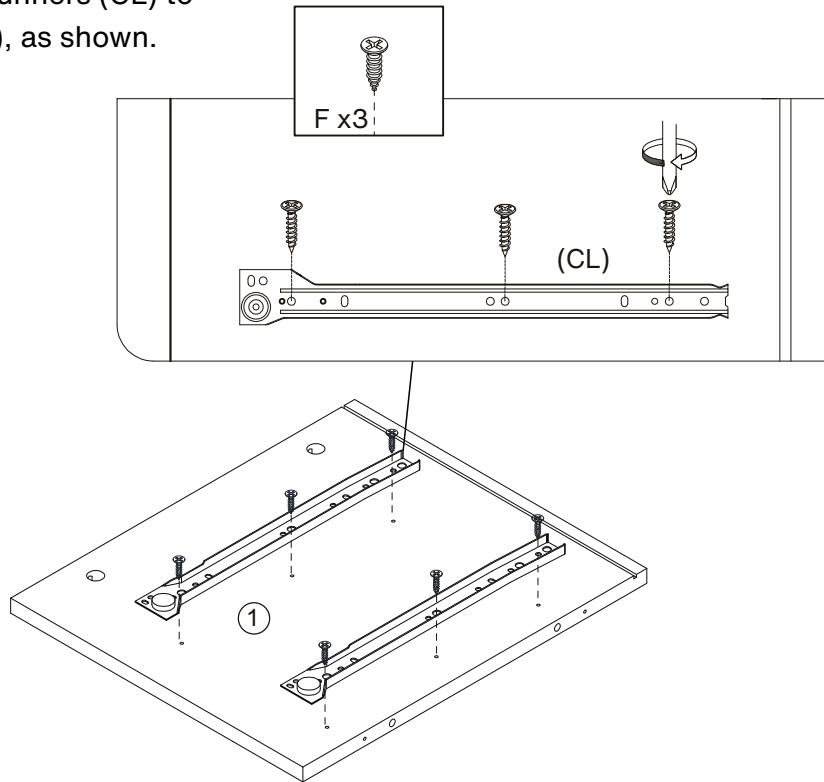
Right outer drawer runner

# Assembly



# Step 1

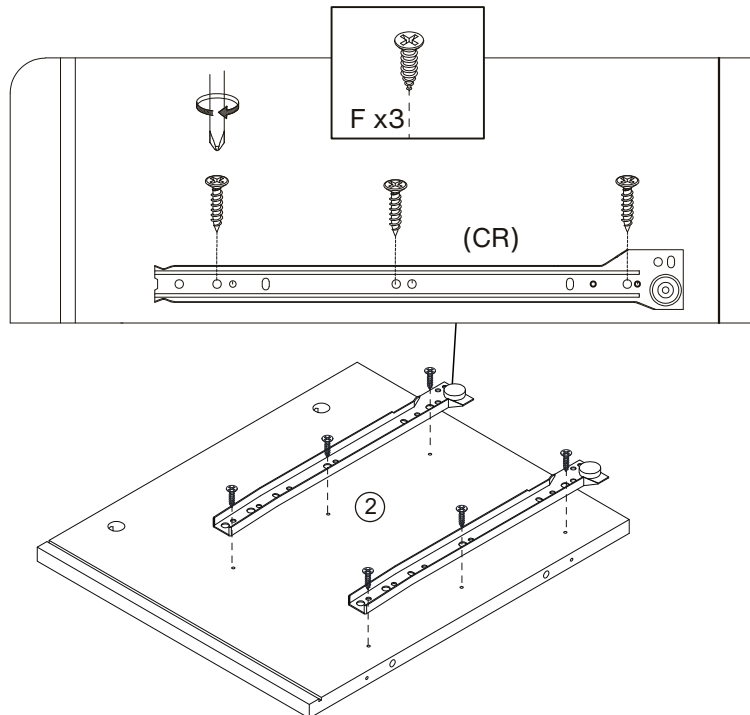
Fix left outer drawer runners (CL) to part 1 using screws (F), as shown.



|             |
|-------------|
| CLx2        |
|             |
| Fx6         |
|             |
| M3.5 x 12mm |

# Step 2

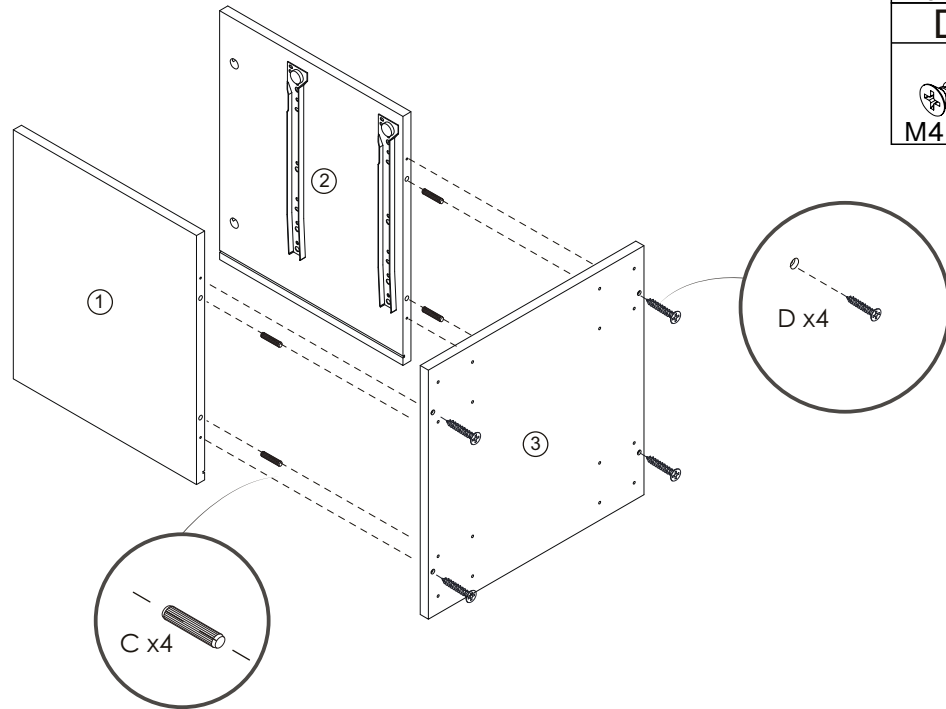
Fix right outer drawer runners (CR) to part 2 using screws (F), as shown.


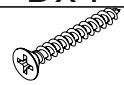


|             |
|-------------|
| CR x2       |
|             |
| Fx6         |
|             |
| M3.5 x 12mm |

# Step 3

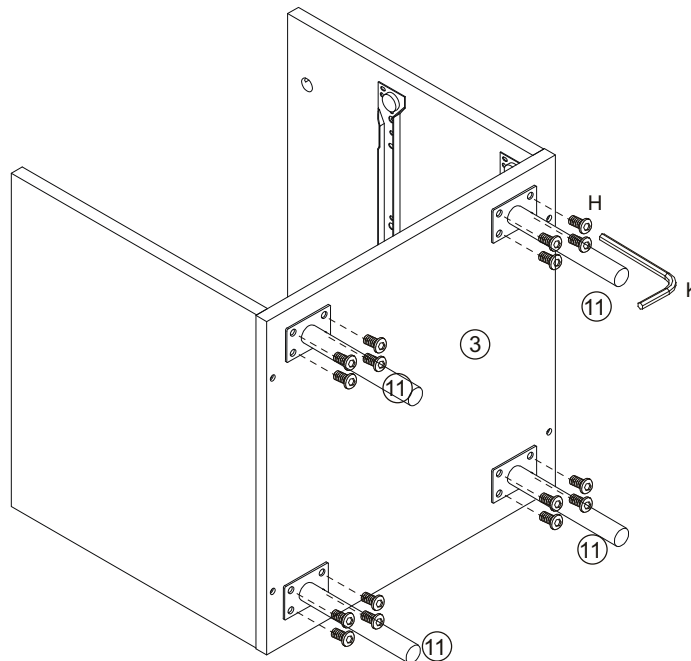
Insert wooden dowels (C) into parts 1 and 2, as shown.  
Fix part 3 to parts 1 and 2 with screws (D), as shown.

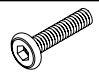
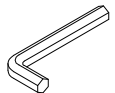


|   |
|---|
| Cx4   |
|  |
| M5.8 x 30mm   |
| Dx4   |
|  |
| M4 x 35mm   |

# Step 4

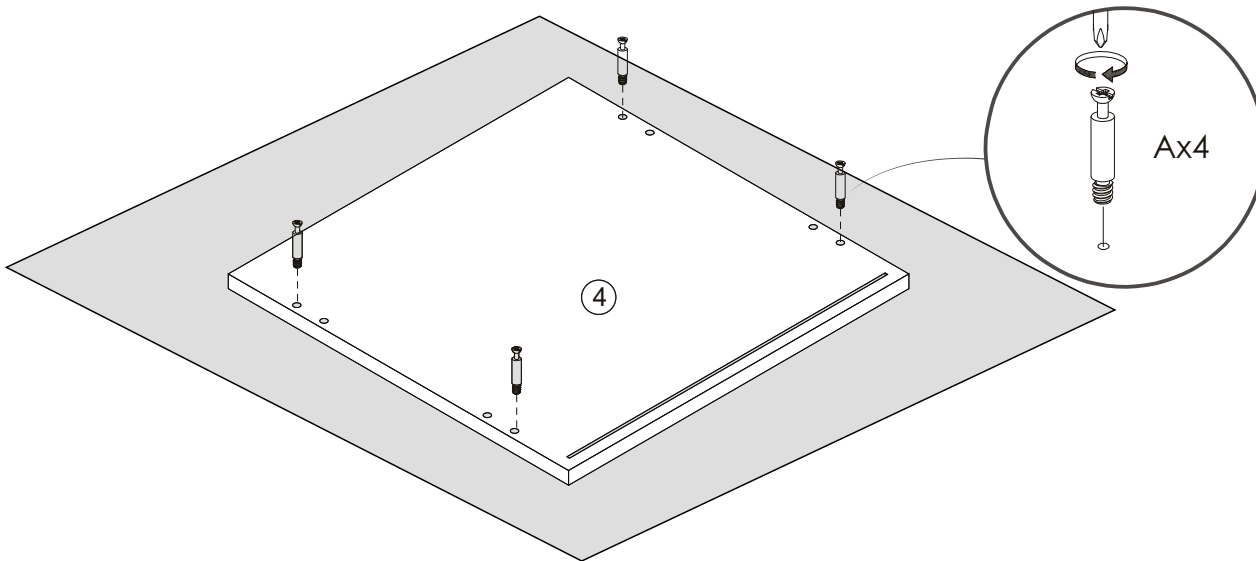
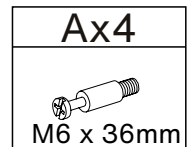
Fix legs 11 to part 3 using screws (H) and allen key (K), as shown.



|   |
|---|
| Hx16  |
|  |
| M6 x 12mm   |
| Kx1   |
|  |

# Step 5

Insert quickfit screws (A) into part 4, as shown.



**Warning :** To avoid scratches, place the panels on a clean and soft surface.

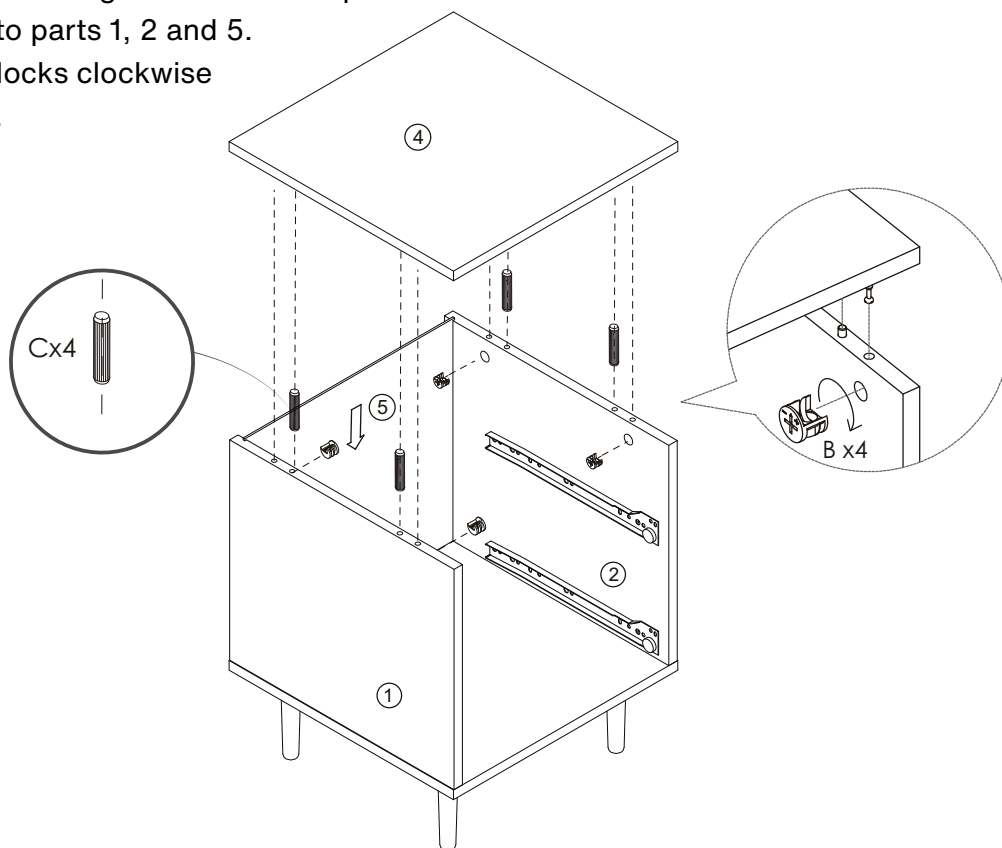
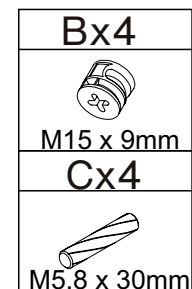
# Step 6

Insert cam locks (B) and wooden dowels (C) into parts 1 and 2, as shown.

Insert part 5 into grooves between parts 1 and 2.

Fit part 4 to parts 1, 2 and 5.

Turn cam locks clockwise to tighten.

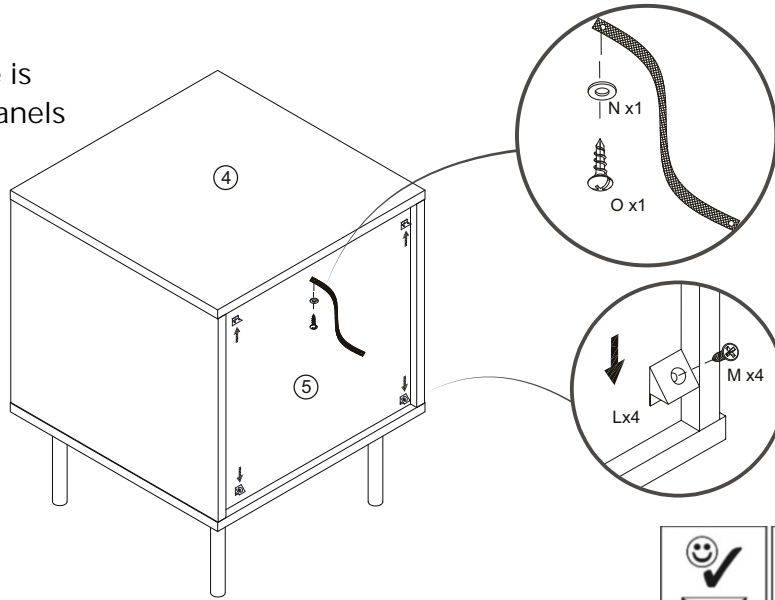


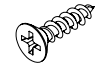
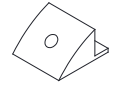

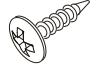
# Step 7

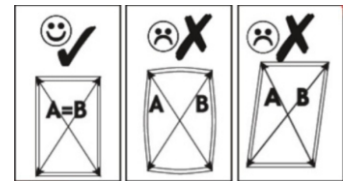
Fix wall strap (N-1) to part 4 using washer (N-2) and screw (O), as shown.  
Secure backing panel 5 by fixing wedges (L) using screws (M), as shown.

## ATTENTION PLEASE

Please ensure the structure is straight and level and all panels are at right angles before installing hardware (L). **MUST** install hardware (L) to strengthen product stability.



|   |
|---|
| Mx4   |
|  |
| M3 x 16mm   |
| Lx4   |
|  |
| Nx1   |
|  |
| Ox1   |
|  |
| M4 x 12mm   |

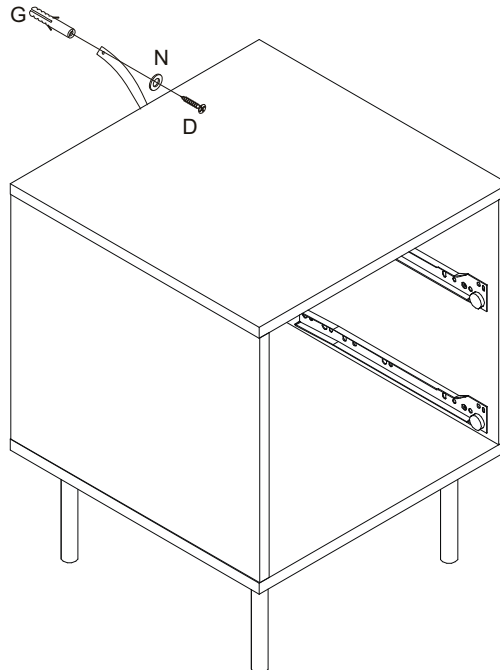




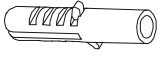
# Step 8

For extra stability, it is recommended that you fix your End table to the wall using hardware (D, N and G), as shown.

Screw (D) is fixed through washer (N) and wall strap and into the wall plug (G).

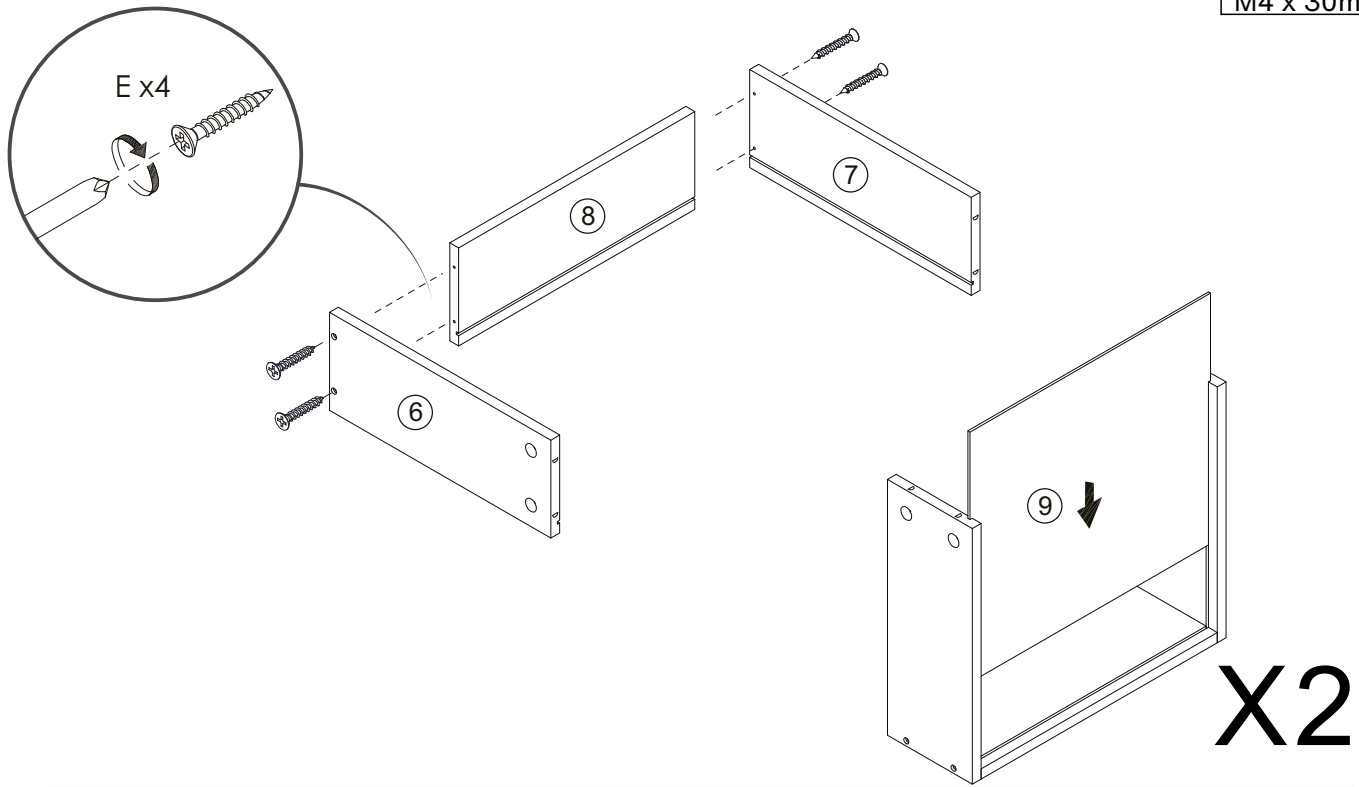
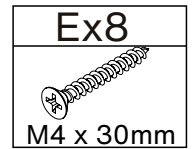
Should you choose not to affix the product to the wall, serious injury may be caused if the product tips over.



|   |
|---|
| Dx1   |
|  |
| M4 x 35mm   |
| Nx1   |
|  |
| Gx1   |
|  |

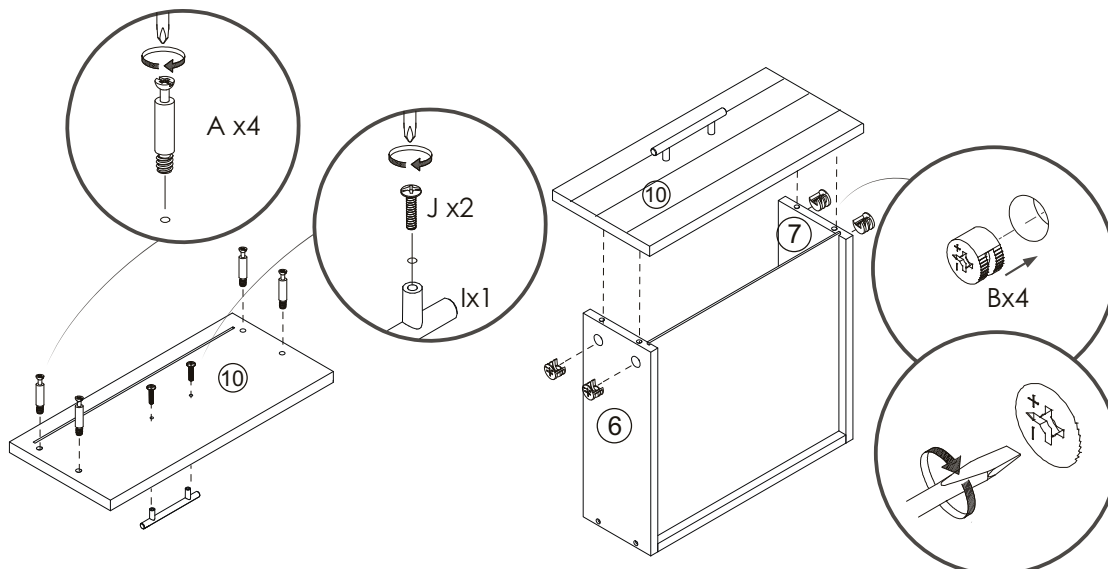
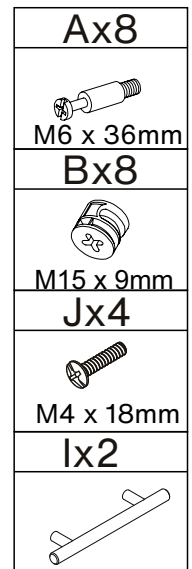
# Step 9

Fix parts 6 and 7 to parts 8 using screws (E), as shown.  
 Insert part 9 into grooves between parts 6, 7 and 8, as shown.



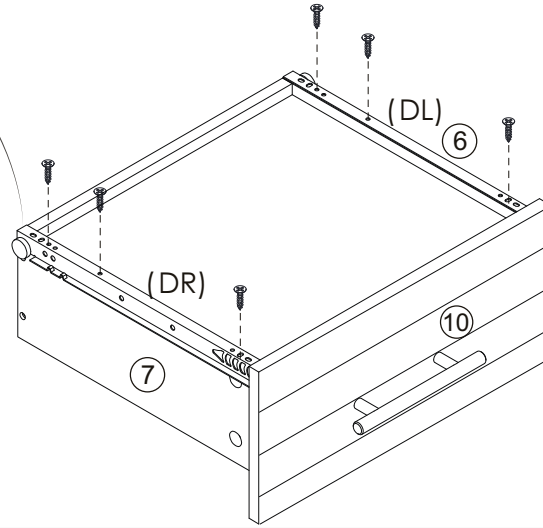
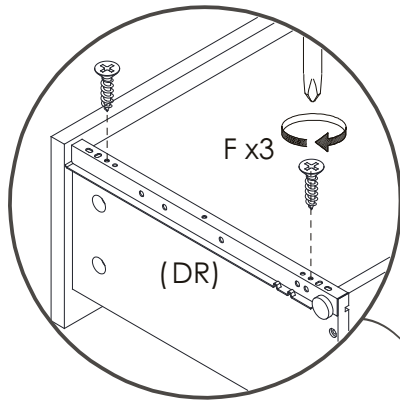
# Step 10

Fix handles (I) to parts 10 using screws (J), as shown.  
 Insert quickfit screws (A) into parts 10.  
 Insert cam locks (B) into parts 6 and 7.  
 Fit parts 10 to parts 6, 7 and 9.  
 Turn cam locks clockwise to tighten.



# Step 11

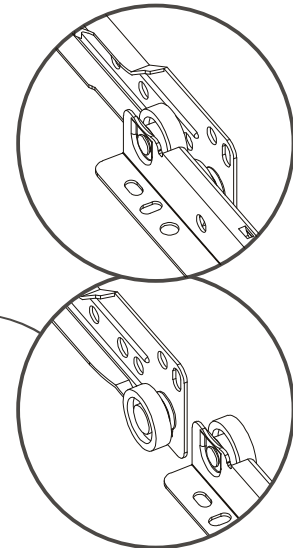
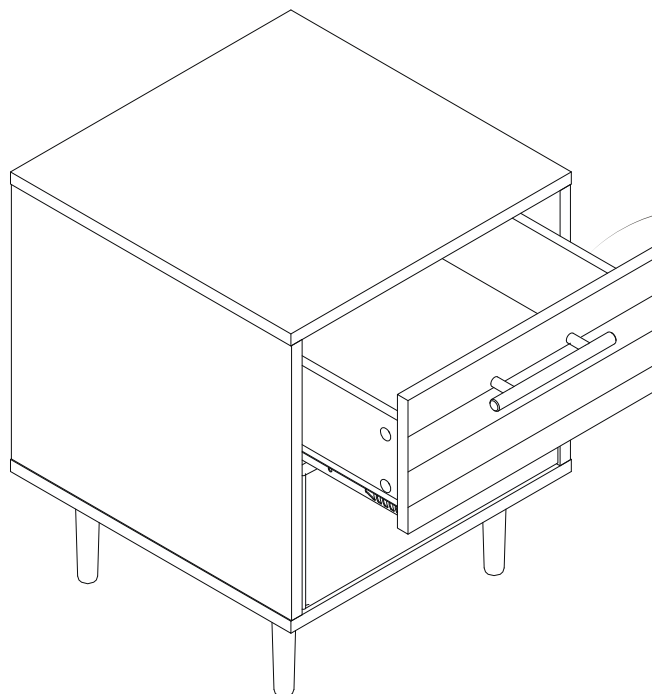
Fix right inner drawer runner (DR) to part 7 and left inner drawer runner (DL) to parts 6 using screws (F), as shown.



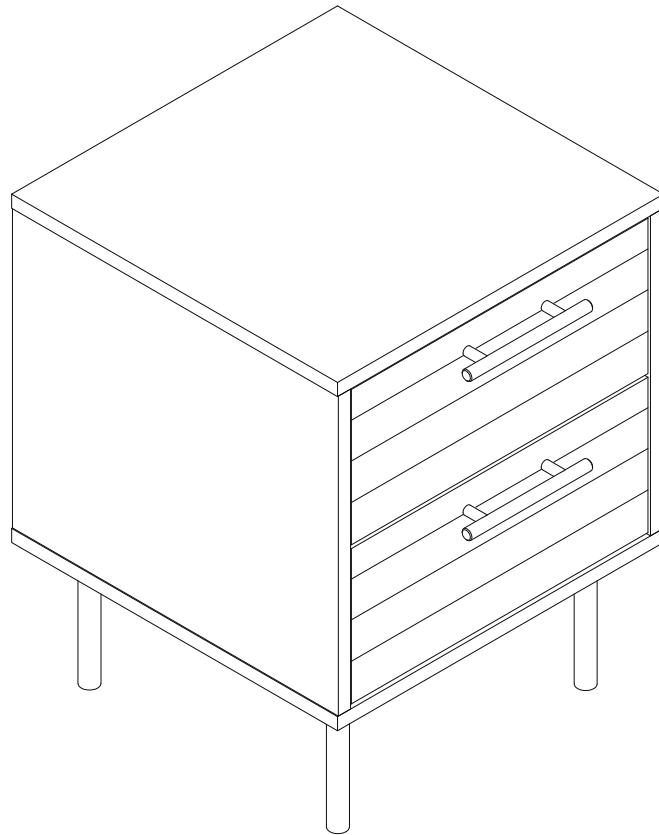
|             |
|-------------|
| DRx2        |
| DLx2        |
| Fx12        |
| M3.5 x 12mm |

# Step 12

Insert drawers into assembled unit, as shown.



**VOILA!**  
Now enjoy.



**Warning**

DO NOT sit or stand on the End table as this may damage the product and cause serious bodily injury.

# Something not right?

We are always here to help.

## **We make mistakes like every human does.**

Though we always strive to provide the best possible products at competitive prices and the best service in the industry, it's not possible to completely eliminate mistakes. If you experience any dissatisfaction, feel free to contact us immediately. Our in-house customer care team will respond ASAP.

## **Things to do to expedite the process**

- Have your order# ready
- Take photos/videos to help us better identify the issues
- DO NOT throw away the packaging