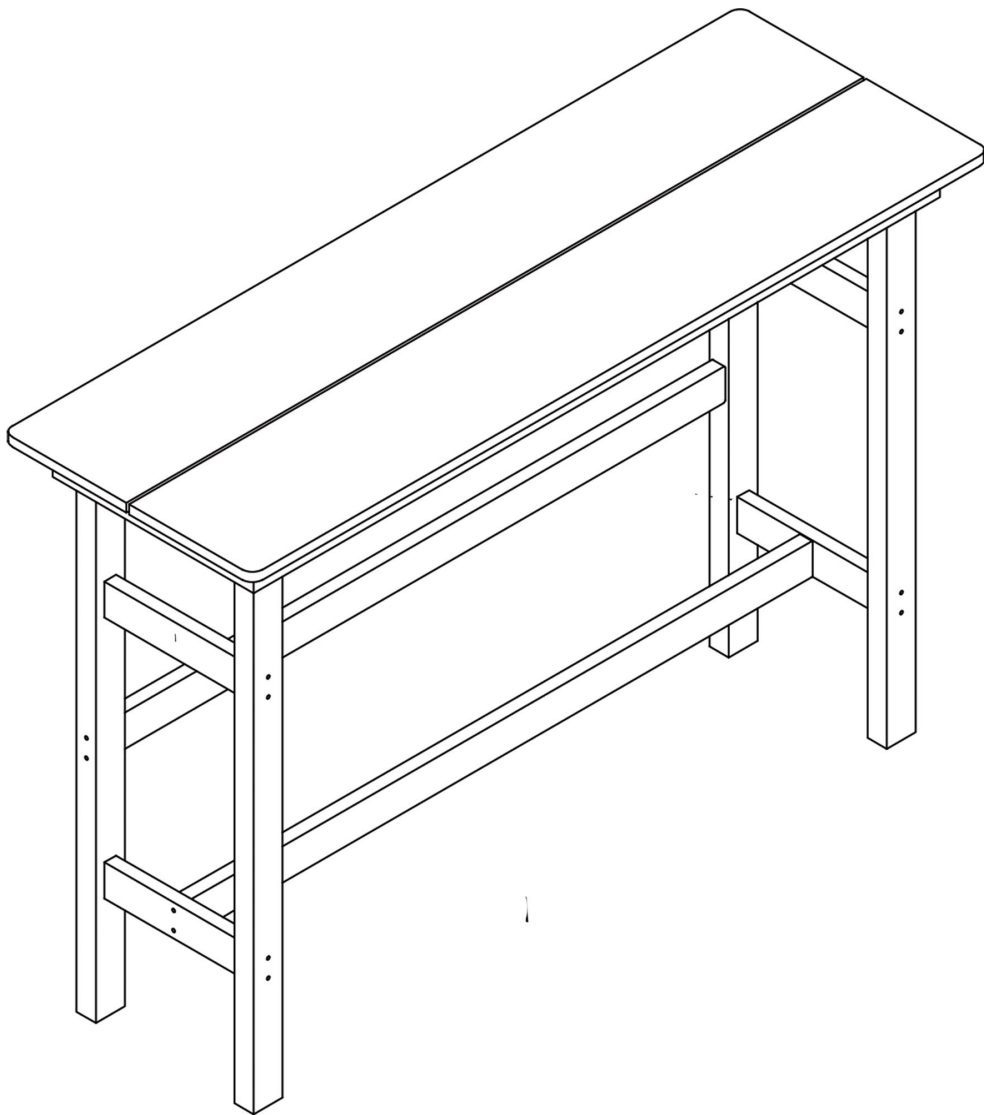


USER'S MANUAL

Product Name: **Bar Table**



THIS INSTRUCTION BOOKLET CONTAINS **IMPORTANT SAFETY INFORMATION**.
PLEASE READ AND KEEP FOR FUTURE REFERENCE.

Contact Us

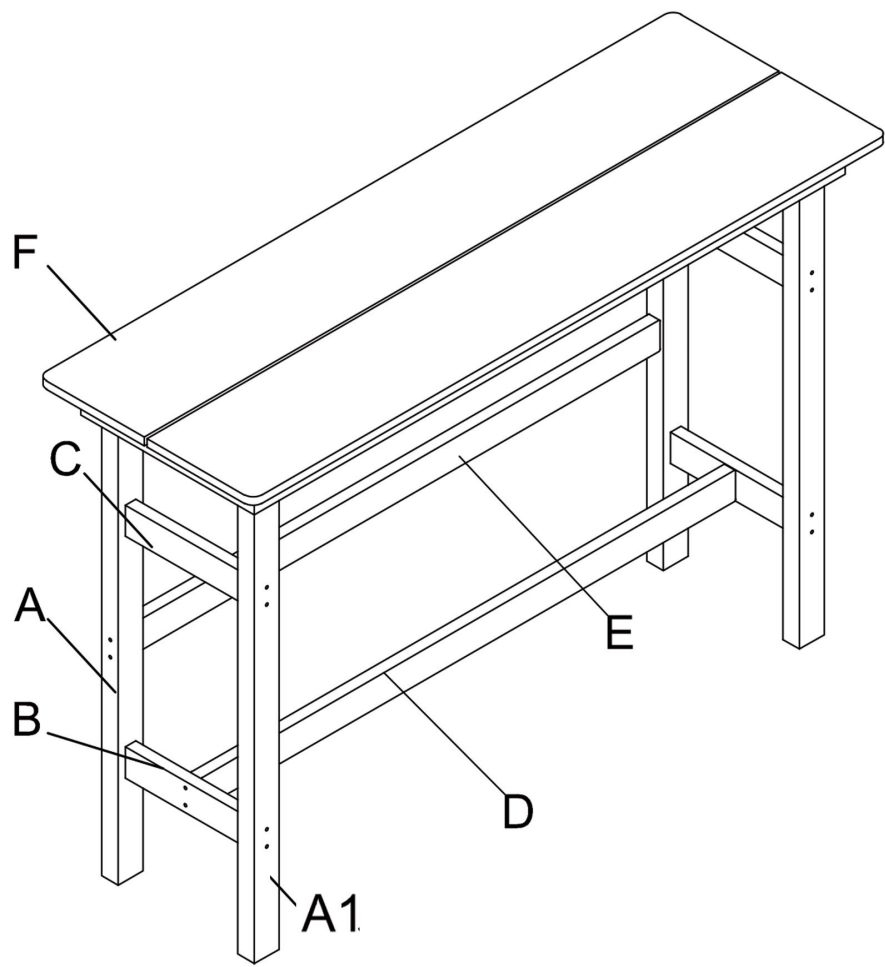
If you have any problem, please give us a chance to make it right for you!

Contact our friendly customer service department for help first. Replacements for missing or damaged parts will be shipped ASAP!

Before You Start

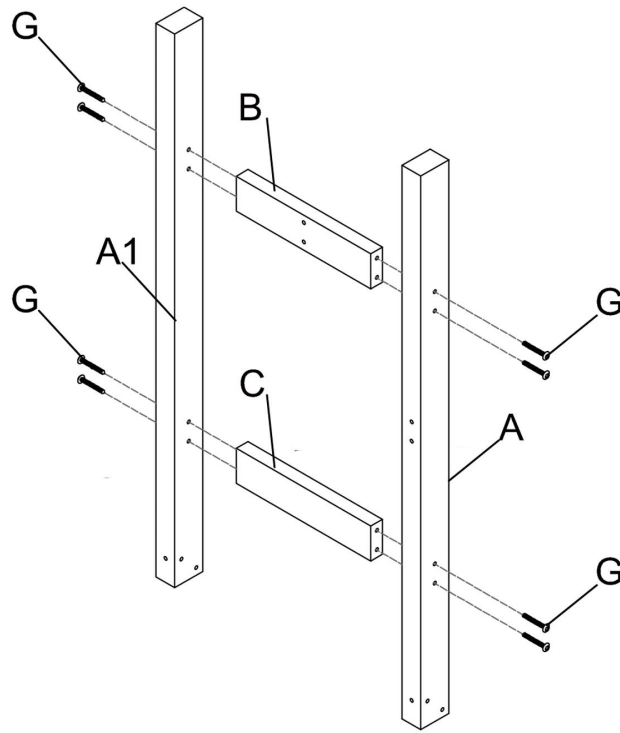
- Please read all instructions carefully.
- Retain instructions for future reference.
- Separate and count all parts and hardware.
- Read through each step carefully and follow the proper order.
- We recommend that, where possible, all items are assembled near to the area in which they will be placed in use, to avoid moving the product unnecessarily once assembled.
- Always place the product on a flat, steady and stable surface.
- Keep all small parts and packaging materials for this product away from babies and children.

KNOW YOUR PARTS

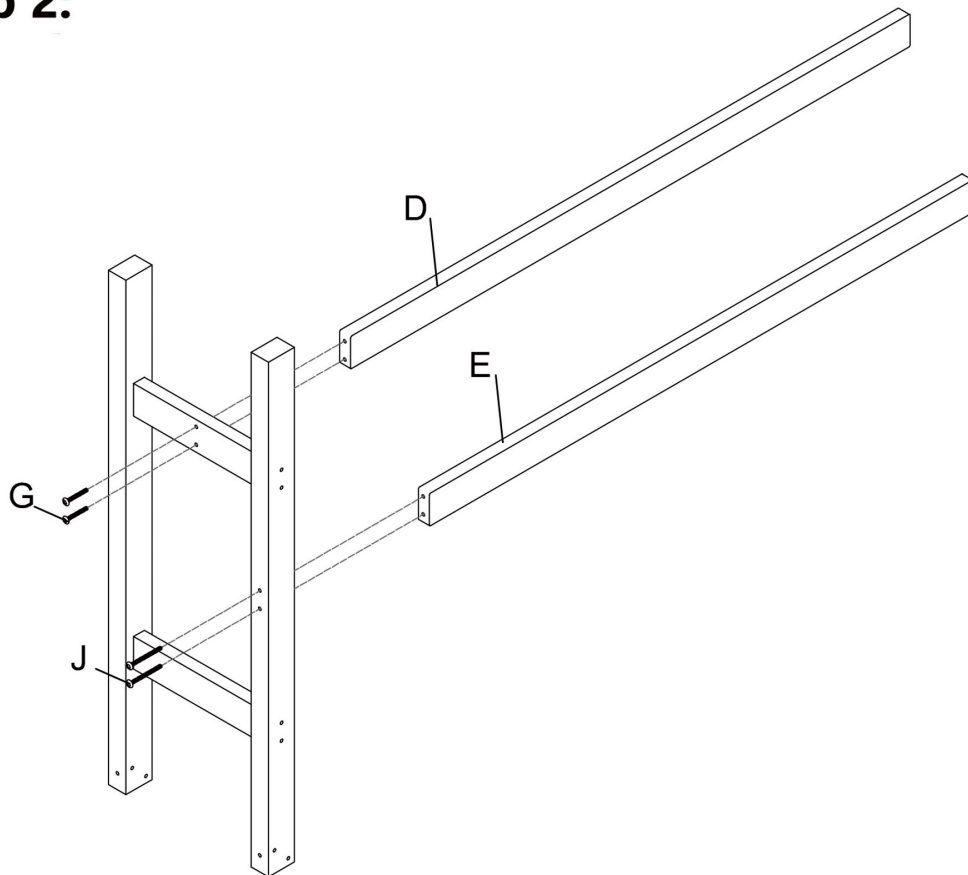


	A X2		(G) M6*70mm X21
	A1 X2		(H) M6*50mm X4
	B X2		(I) M6*75mm X8
	C X2		(J) M6*90mm X4
	D X1		(K) 4mm X1
	E X1		
	F X1		

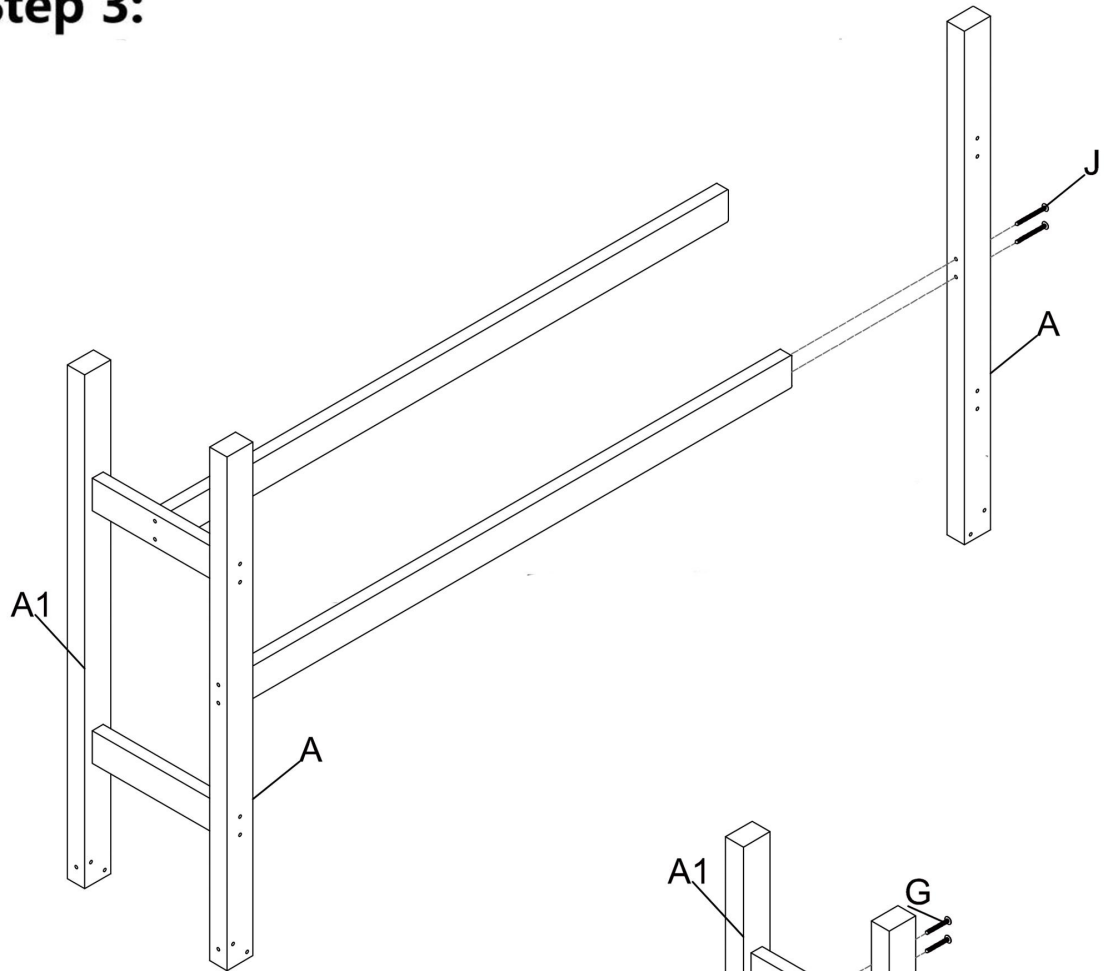
Step 1:



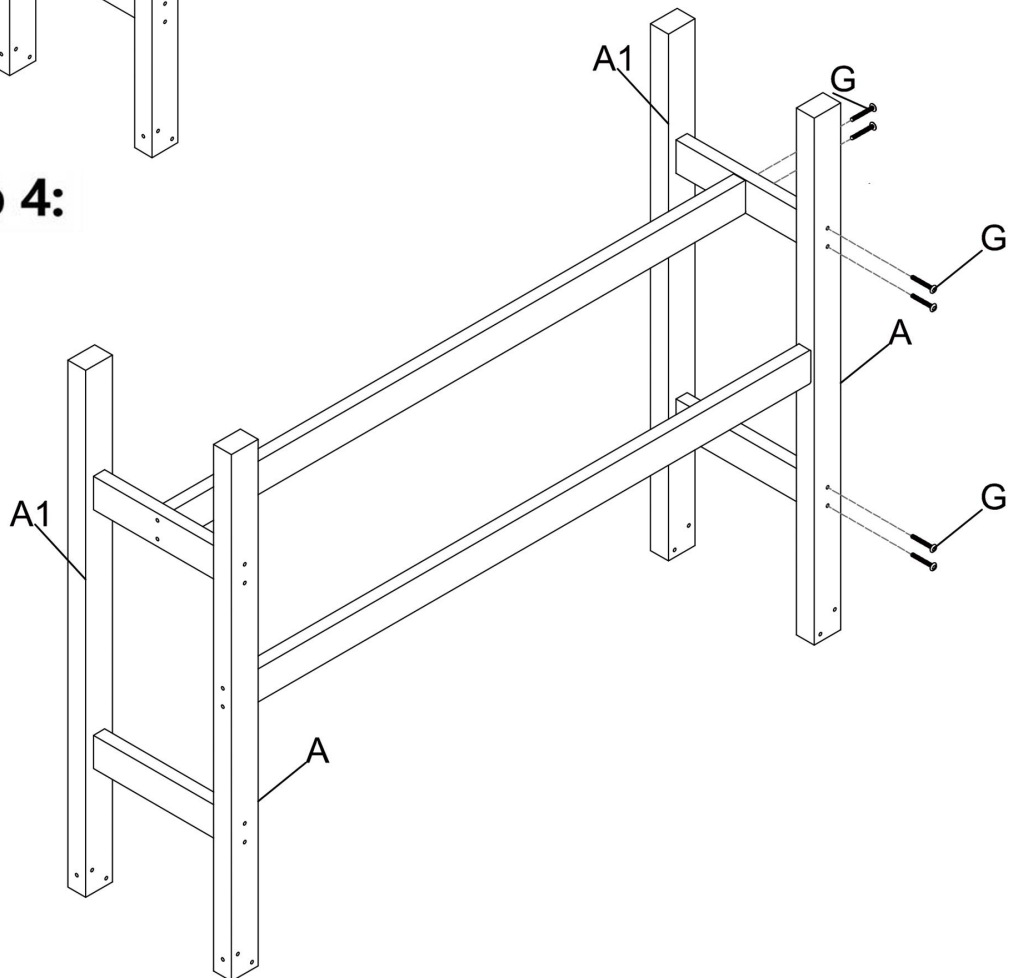
Step 2:



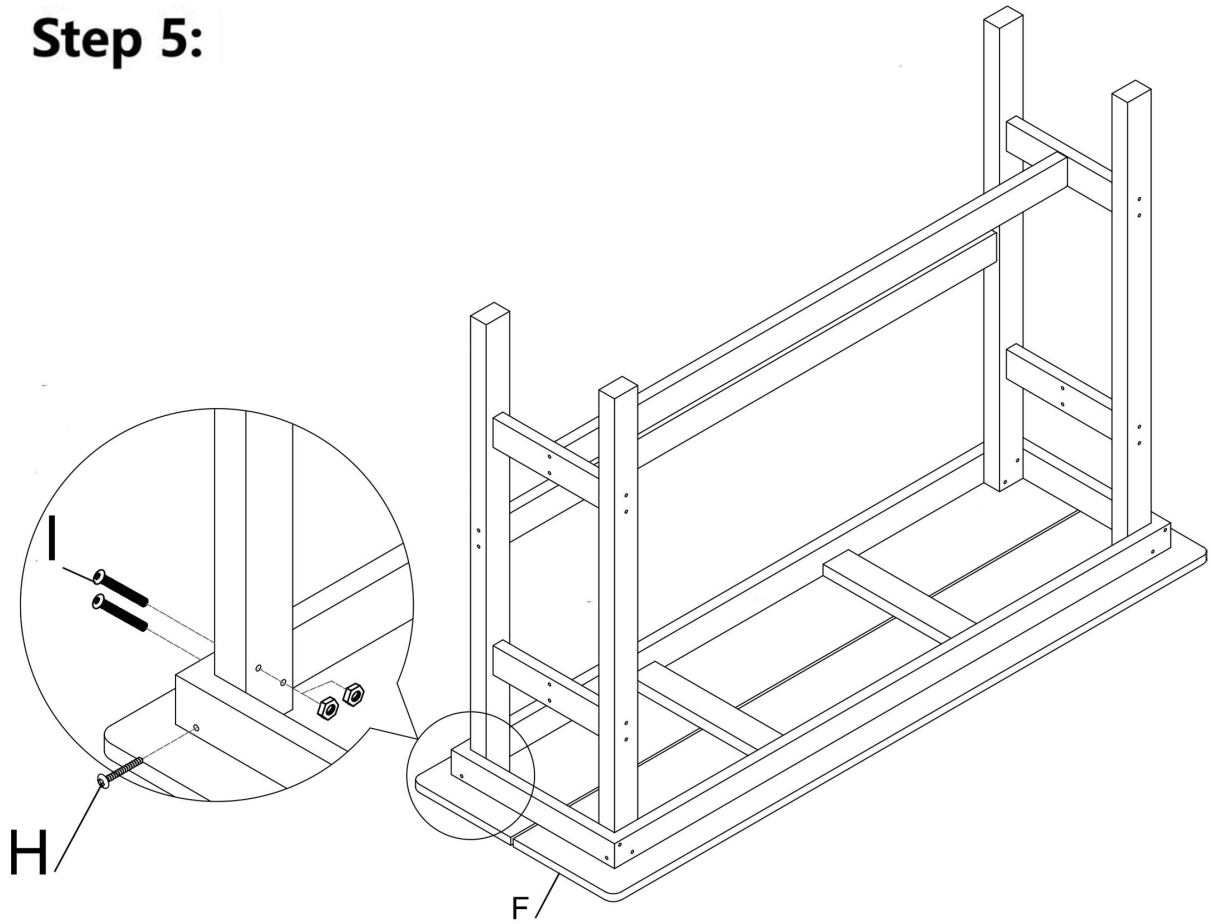
Step 3:



Step 4:



Step 5:



Step 6: Notice

Tighten all screws after installation

