

# Manual

## Notice



Read this assembly manual carefully, and verify that you have all the parts listed before you begin. Keep your assembly manual for future reference.



Move this chair gently with 2 persons.



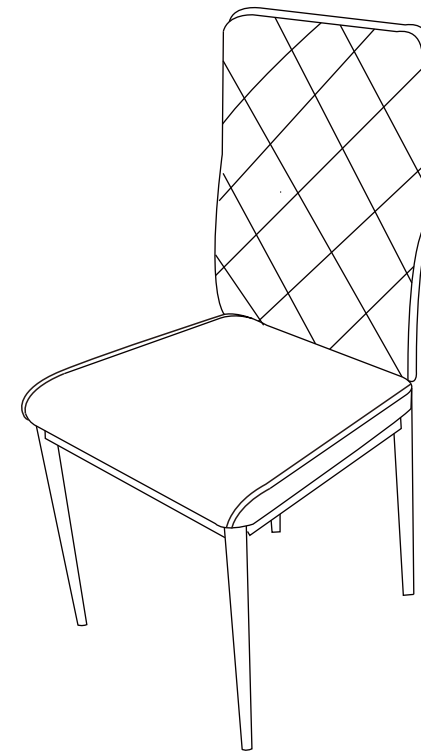
Protect finishes by placing furniture pieces on a soft carpeted surface during assembly.



Do not place very hot/cold objects on top of any surface. Never leave liquids on the surface. Clean immediately with a mild soap and a damp cloth. Never use scouring powder based cleanser. Don't touch the chair surface with a hard/acute object may cause the chair to damage

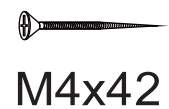


**DO NOT ASSUME CHILD SAFETY WITH ANY PIECE OF FURNITURE!**  
Do not allow children to climb on furniture. Improper use can cause death or serious injury. Damaged parts or furniture put together incorrectly can lead to serious injuries. Make sure to follow instructions correctly.



## Parts list

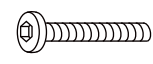
A



M4x42

X4

B



M6x40

X2

C



M6x12

X4

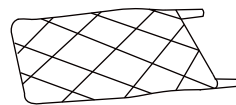
D



5#

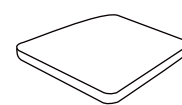
X1

E



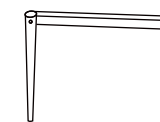
X1

F



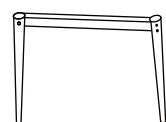
X1

G



X1

H



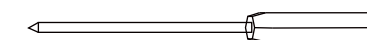
X1

I

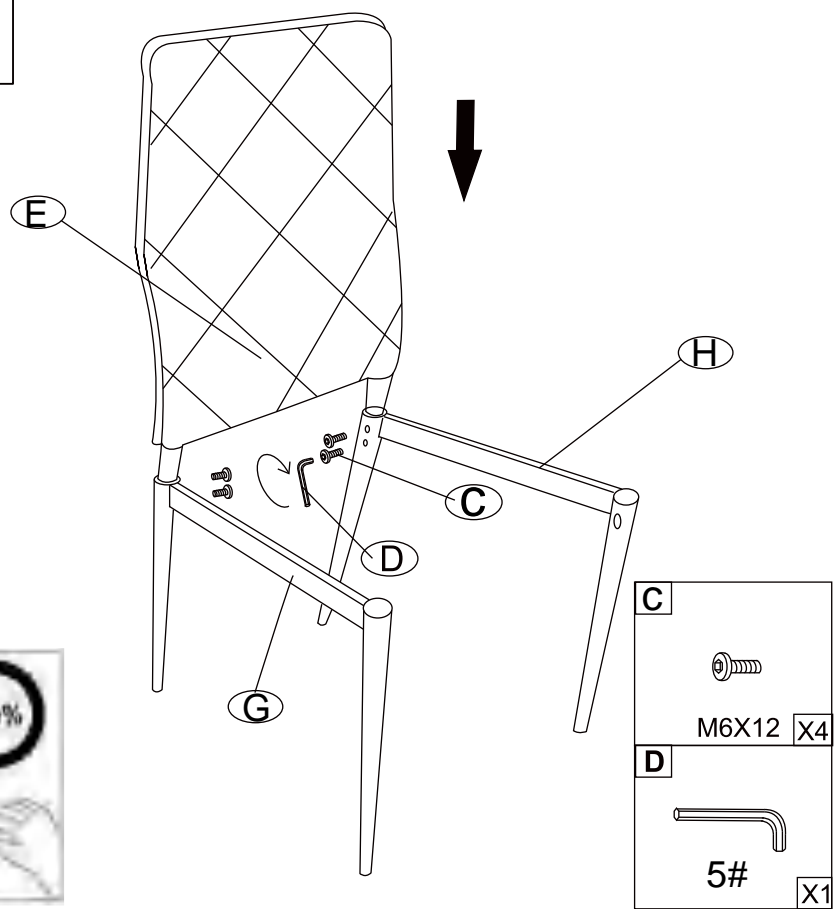


X1

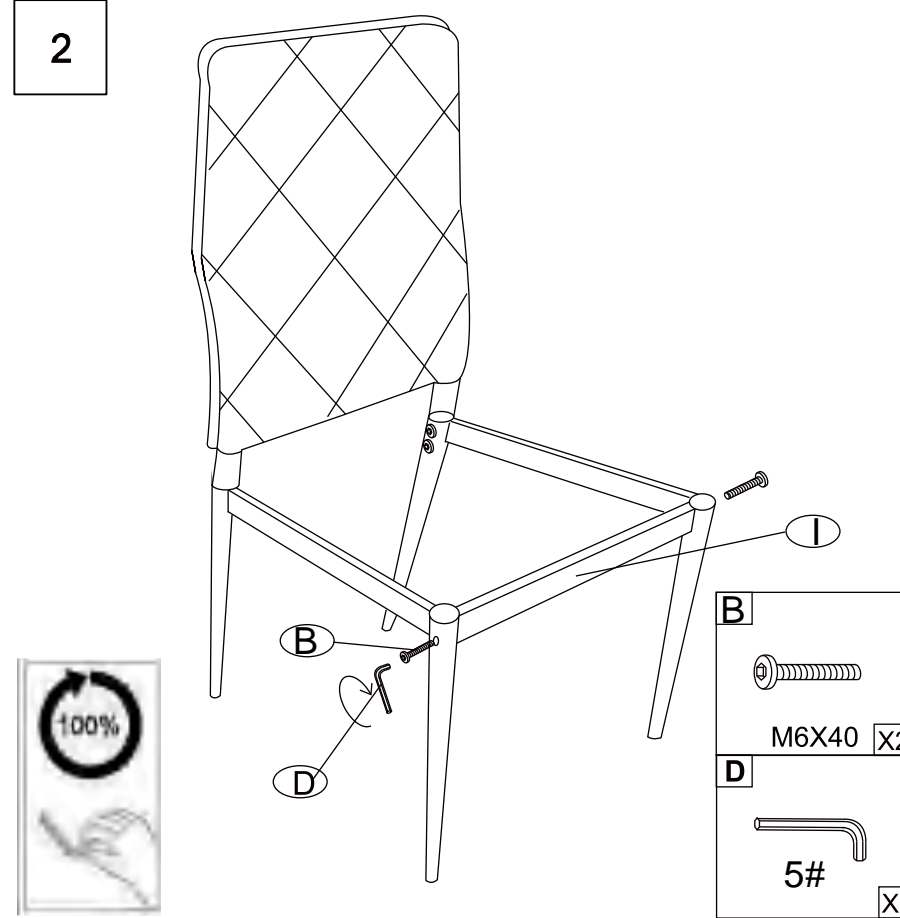
**Tools Required(Not included)**



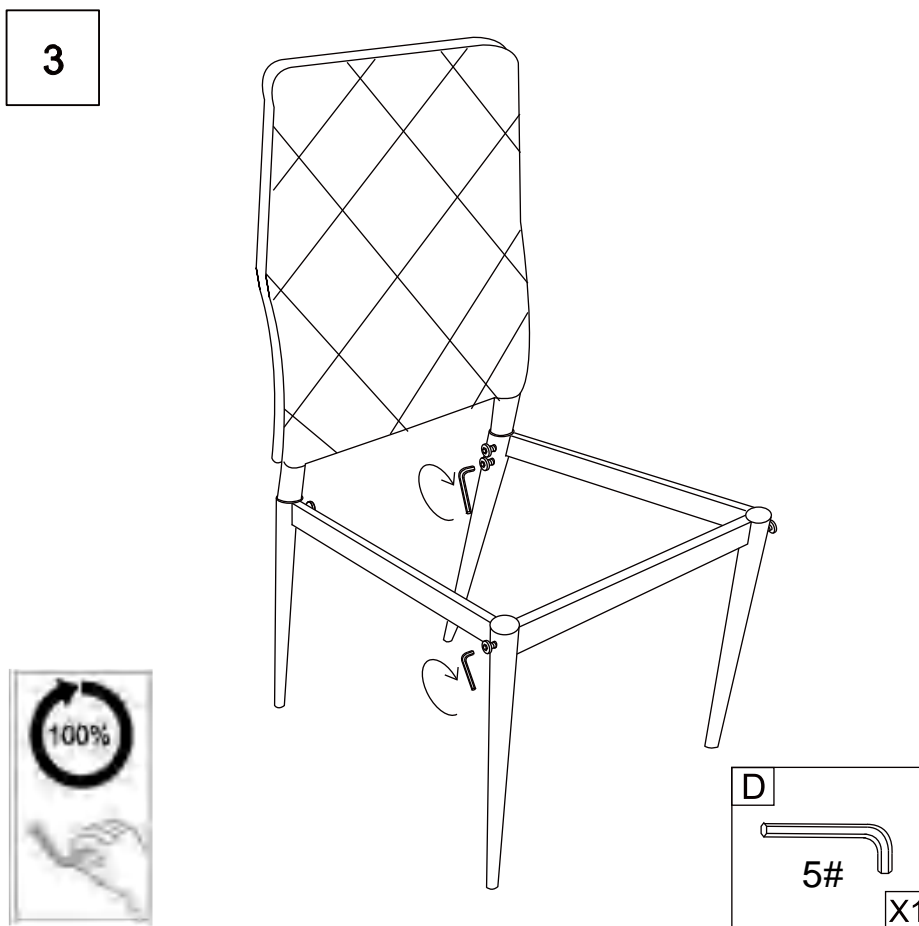
1



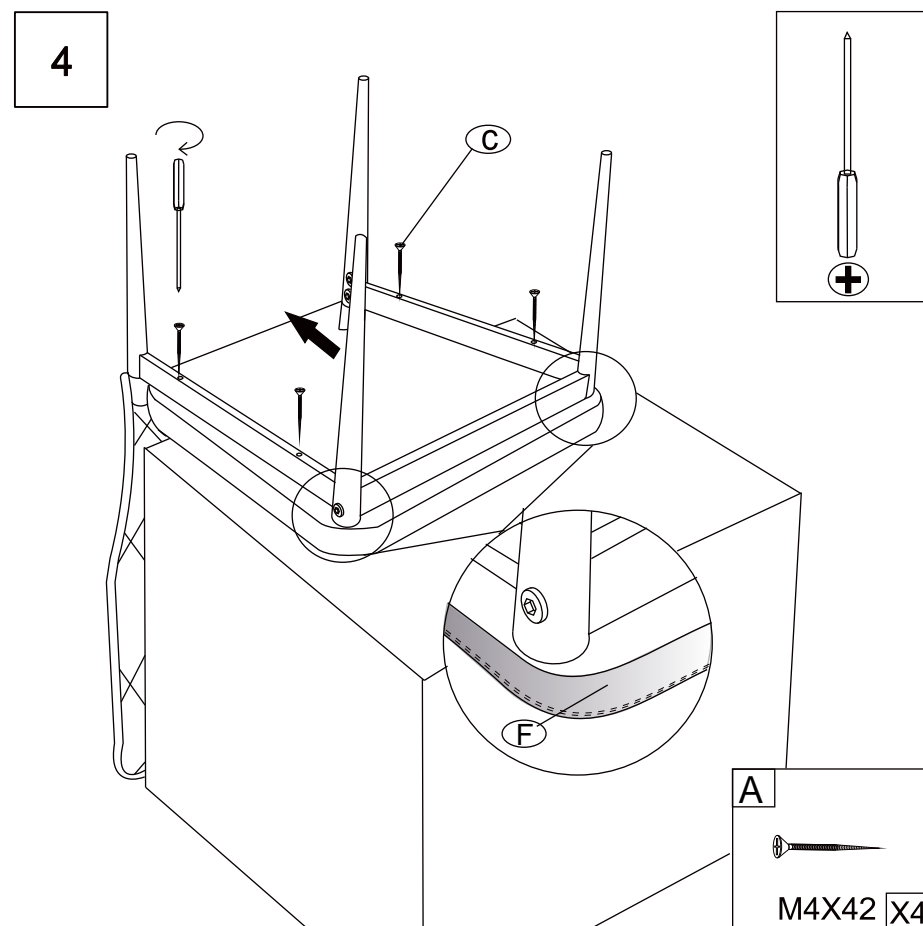
2



3



4

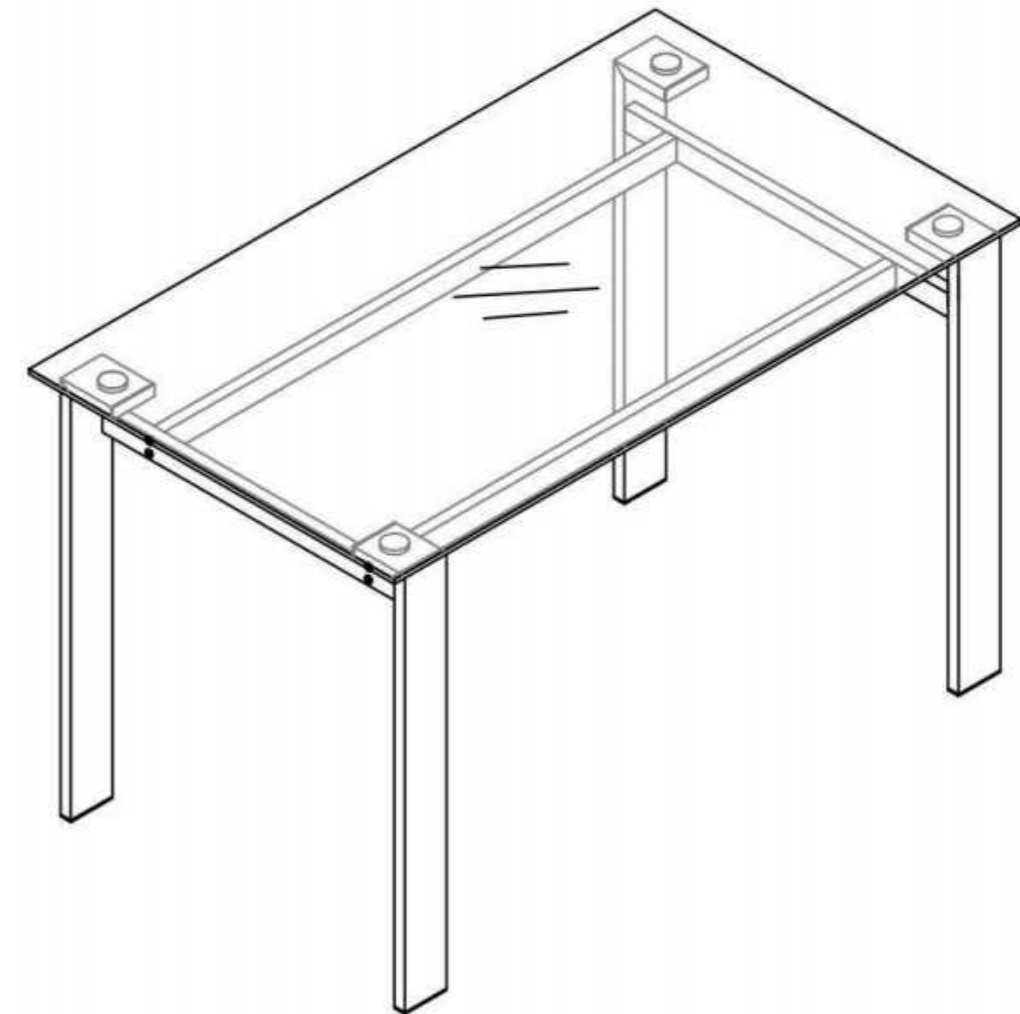


## Important








Please inspect all items carefully before assembling.  
If for any reason you need to return this  
item, you must return it in its original packaging.  
**Assembled items can not be returned.**

### Important Note:

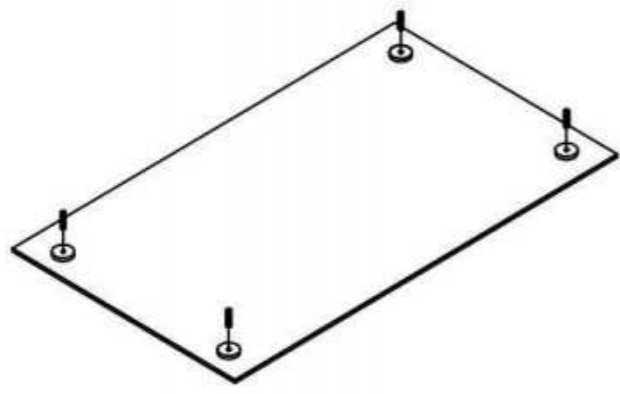
- \*Place all parts on a clean and smooth surface such as a rug or carpet to avoid the parts from being scratched.
- \*Kindly follow the assembly instruction step by step.
- \*Don't tighten all screws until the table is fully set-up.





### COMPONENTS LIST

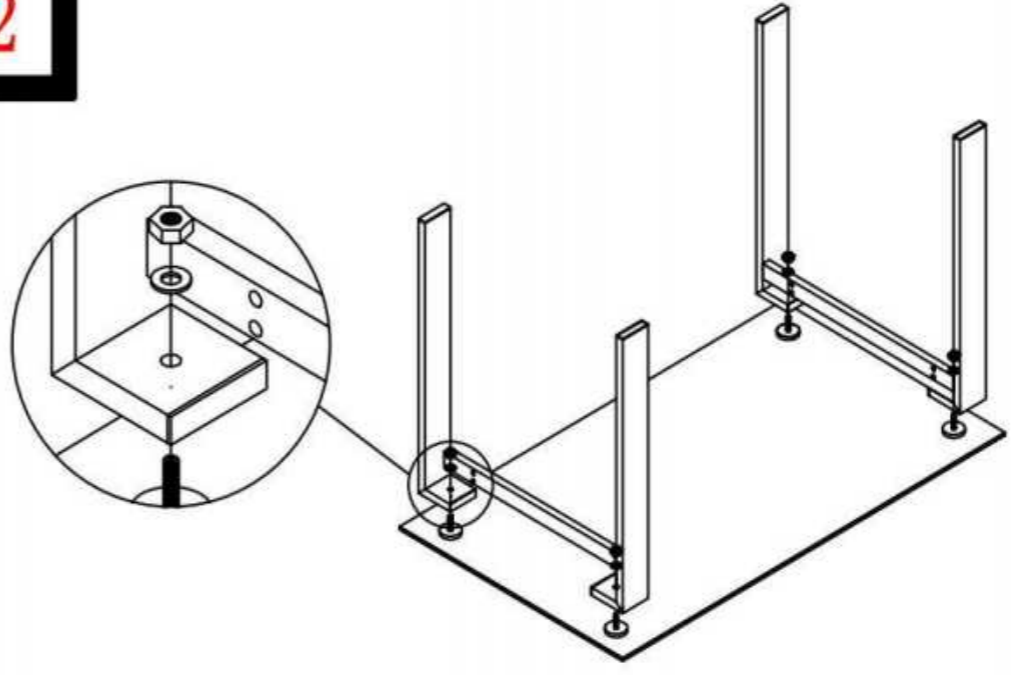
1	Top Glass		x1	2	Frame#1		x2	3	Frame#2		x2
A	Screws#1		x8	B	Screws#2		x4	C	Nut		x4
D	Allen Key		x1								



1



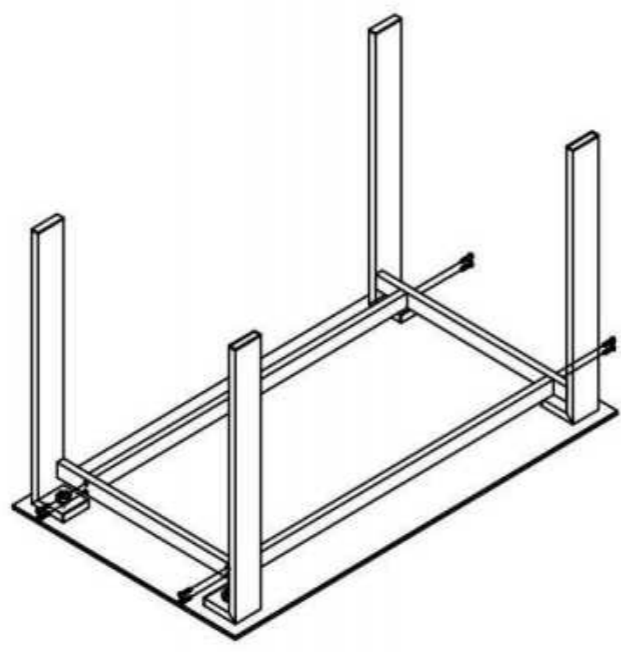
1	Top Glass		x1	B	Screws#2		x4
---	-----------	--	----	---	----------	---	----



2



3	Frame#1		x2	C	Nut		x4
---	---------	--	----	---	-----	---	----

3



4	Frame#2		x2	A	Screws#1		x8
---	---------	---	----	---	----------	---	----

4



## **IMPORTANT-READ CAREFULLY-RETAIN FOR FUTURE REFERENCE**

**WARNING** Children must stay away from the assembly zone, preventing children from potential asphyxia because of plastic bag and foam breathing in nose;

**WARNING** For your safety, please do not tread or climb product.

**WARNING** The loading weight of seating shall be within the range that vendor claims.

**WARNING** The product is designed for adults use, domestic use and indoor use only.

**WARNING** The product shall not combine with other product for use.

**WARNING** If the product with seat height adjustments with energy accumulators that only trained personnel may replace or repair seat height adjustment components with energy accumulators

**WARNING** check regularly that all assembly fastenings are properly tightened, do not use the product if any structural part is broken or missing

**WARNING** Incorrect installation and incorrect use can cause accidents. Please completely follow the guidance of assembly instruction.

### **Security instructions**

Before assembling check whether all parts listed in the parts list have been delivered. Do not start assembling if parts are missing or damaged.

A failure to assemble this product correctly could cause damage or result in serious injury! Before assembling make sure that you have enough space for the procedure. Assemble on a flat surface.

Keep the assembly instructions available at all times and follow each of the individual steps exactly.

During assembly, be careful with all the parts of the assembly (do not walk on them or distort them) and beware of shearing and trapping risks. Keep children and pets away while setting up the furniture.