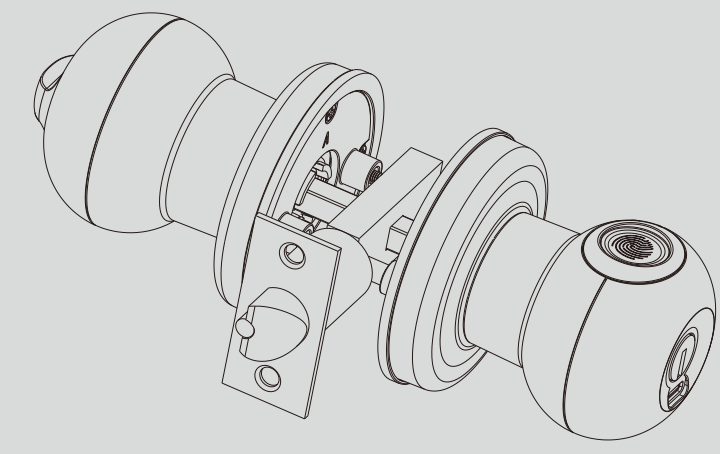


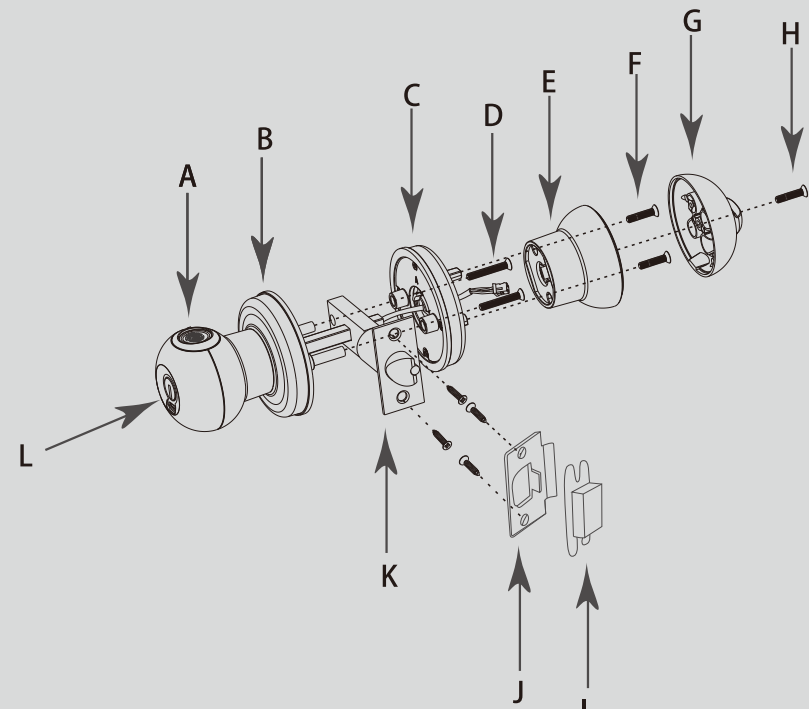
# ELECTRONIC LOCK

## Programming and Installation Instructions



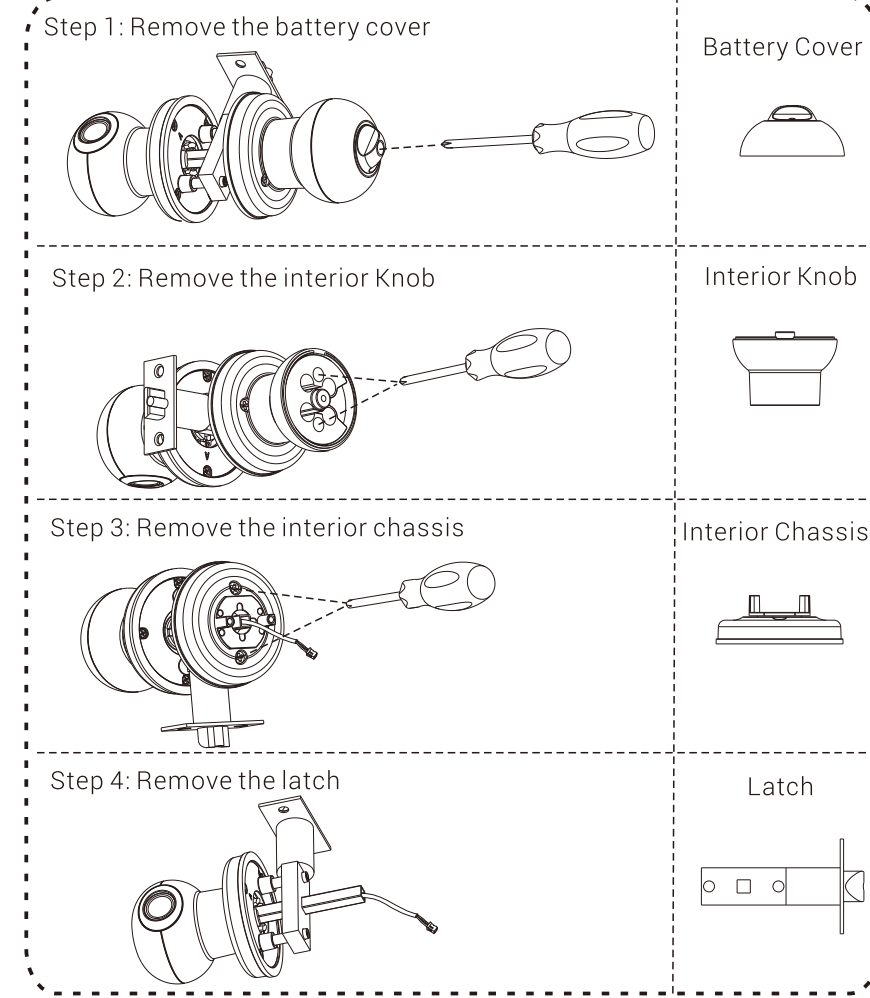
YL-98JA

## LOCK COMPONENTS



- A: Fingerprint Collector    E: Interior Knob    I: Wrought Box
- B: Exterior Chassis    F: Mounting Screw    J: Strike Plate
- C: Interior Chassis    G: Battery Cover    K: Latch Assembly
- D: Mounting Screw    H: Mounting Screw    L: Emergency Device

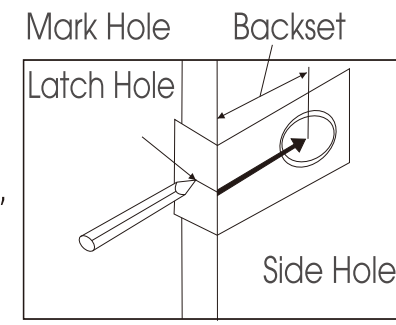
When installing the product, disassemble the product according to the following figure.



1

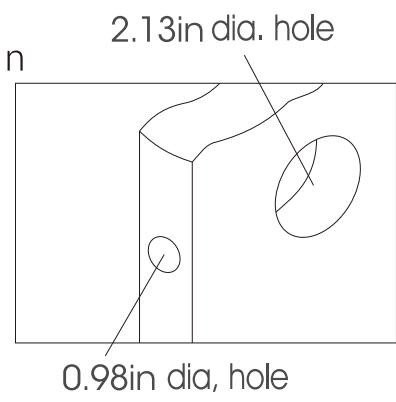
## INSTALLATION INSTRUCTIONS

**Step 1. Mark Door**  
Using template, mark hole on both sides of door at required backset, then mark latch hole on door edge.



2

**Step 2. Drill Holes**  
Bore a 2.13in hole on door face, then drill 0.98in hole in door edge to intersect with center of 2.13in hole.

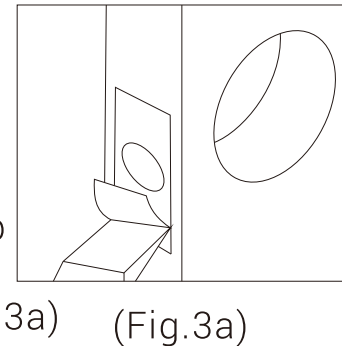


Note: Drill 2.13in hole from both sides of door to stop wood splintering.

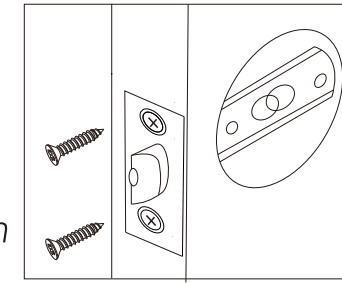
1

### Step 3. Install Latch

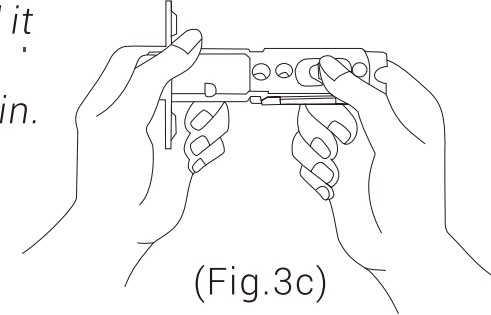
Insert latch into hole and mark a line around edge of latch plate and remove latch. Chisel approx. 0.12in deep or until latch plate sits flush with door edge. (Fig.3a)



Insert latch then drill 0.9in x 6in holes for mounting screws and fasten latch. (Fig. 3b)

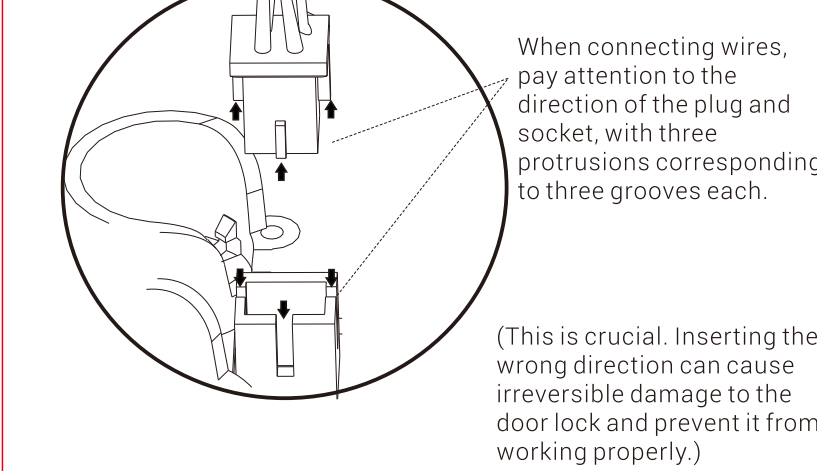
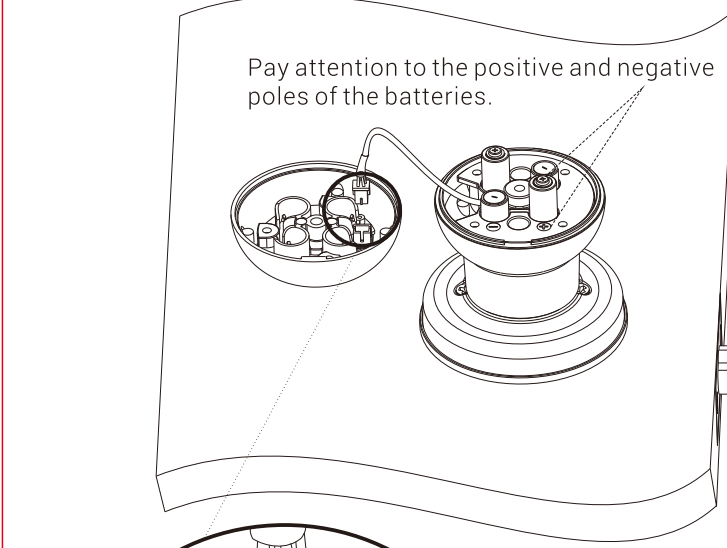


Note: The latch length can be adjusted. As shown in the figure, hold the position of the latch square hole and pull it back horizontally to select 2.36in or 2.75in. (Fig.3c)



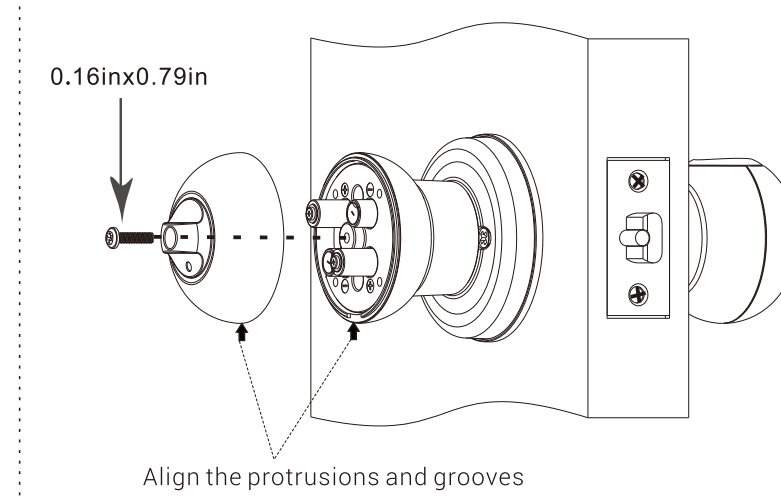
3

### Step 8. Install Batteries

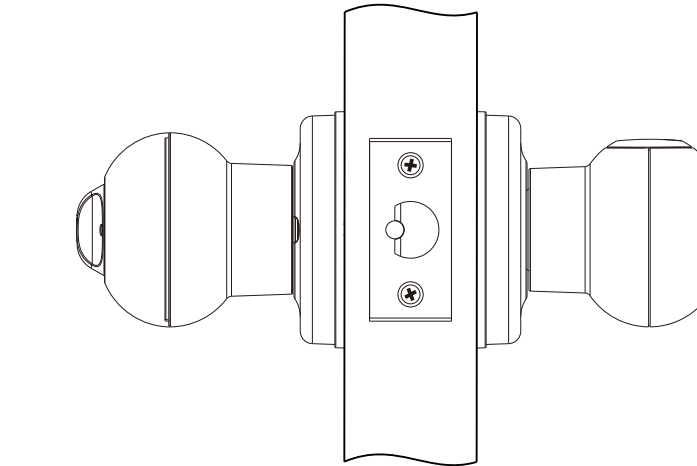


7

### Step 9. Install Battery Cover



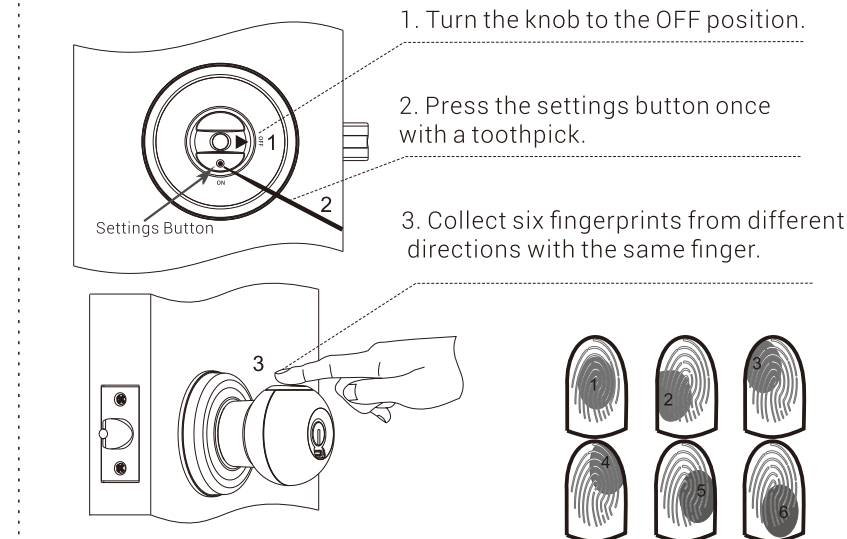
Align the protrusions and grooves



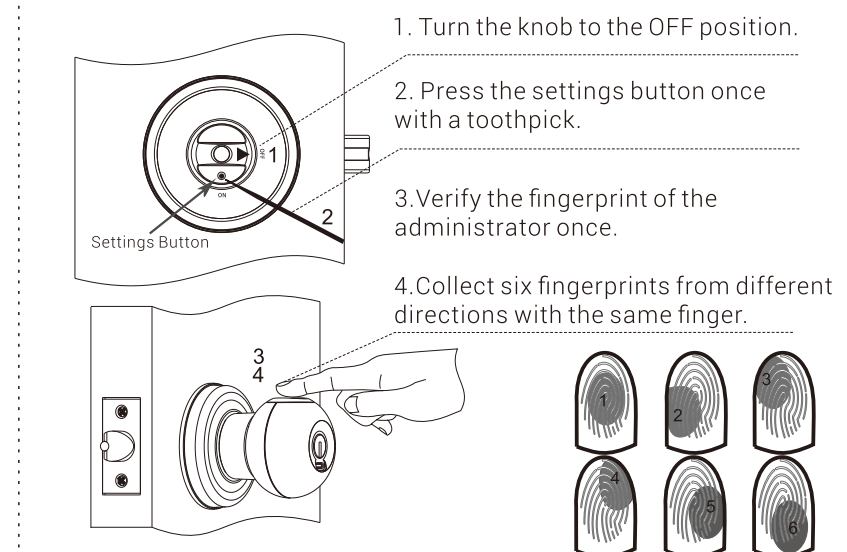
Installation Completed: Rotate the inner and outer handles to check if they rotate flexibly and if they return to their normal position.

8

### Create Administrator

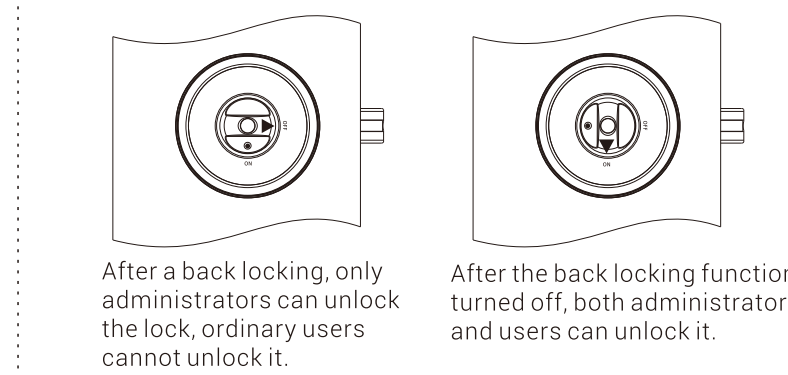


### Create User



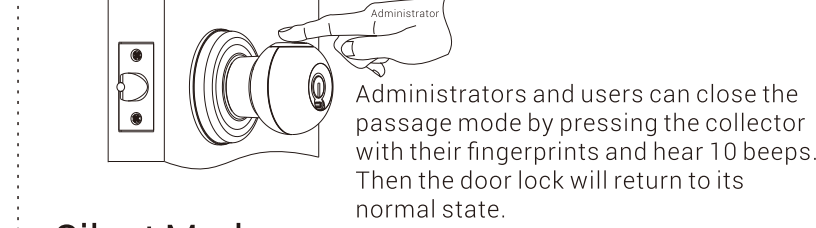
9

### Back Locking Function



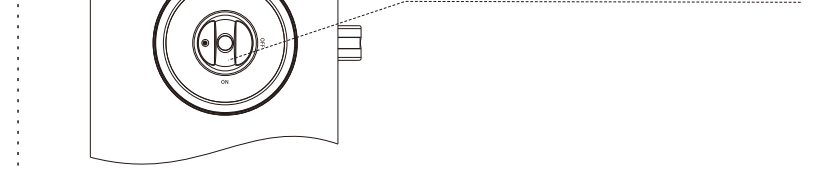
### Passage Mode

The administrator's fingerprint presses down on the collector without moving. The indicator of the fingerprint collector turns pink and you will hear 10 beeps. The passage mode is opened. Anyone can turn the handle to open the door and the unlock indicator light is pink. (Please use with caution)



### Silent Mode

Administrators and users can close the passage mode by pressing the collector with their fingerprints and hear 10 beeps. Then the door lock will return to its normal state.

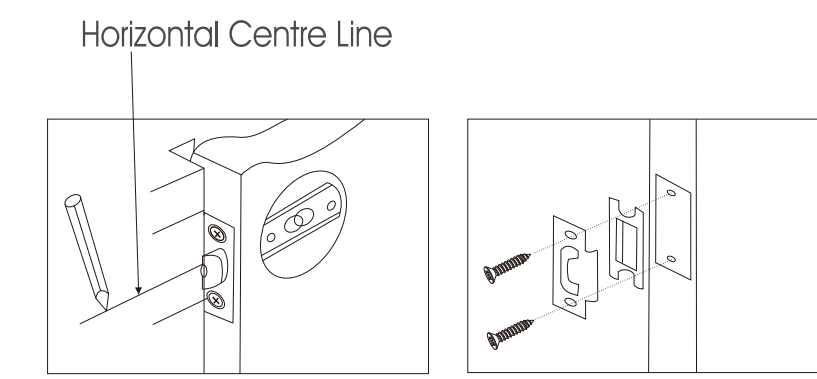


10

### Step 4. Install Strike

Close door and mark horizontal centre of latch on to door frame. Mark vertical line where door edge meets frame and measure in half of door thickness to find vertical centre. (Fig. 4a)

Extend both lines until they intersect and drill a 0.98in hole to 7in depth. Position strike plate and mark around edge. Chisel frame to approx 0.06in depth or until strike sits flush. Drill 0.9in x 6in screw holes and fix strike to frame. (Fig. 4b)

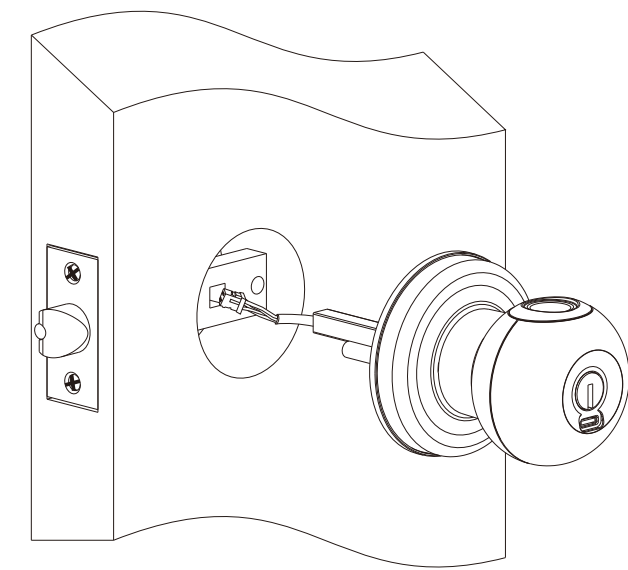


(Fig. 4a)

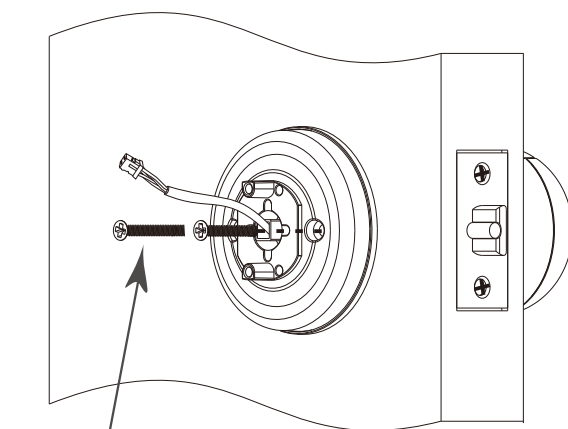
(Fig. 4b)

4

### Step 5. Install Exterior Knob



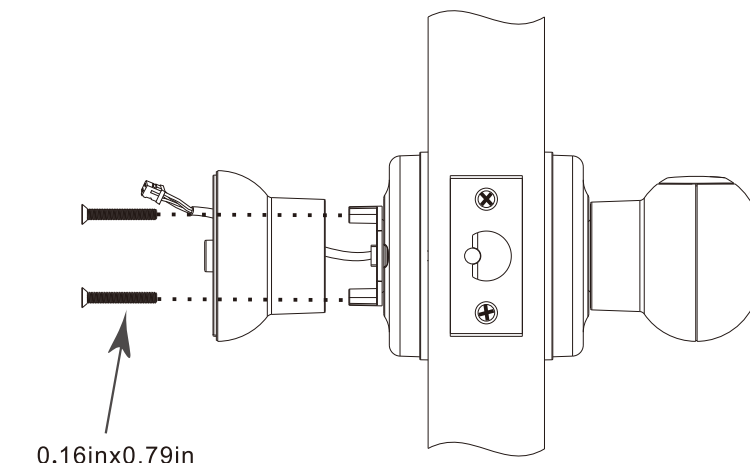
### Step 6. Install Interior Chassis



0.16in x 1.38in

5

### Step 7. Install Interior Knob



0.16in x 0.79in

### Battery Information

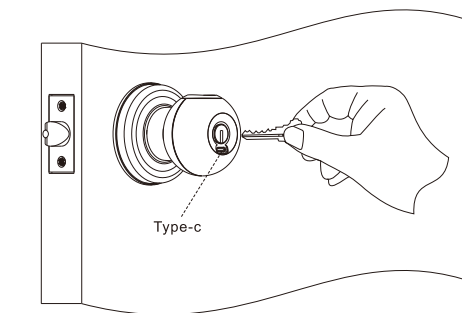
Four high-quality LR3/AAA/1.5V alkaline batteries can be used normally for about a year. Other inferior batteries will be used for a short time and are not recommended.

If you hear 7 beeps and the indicator blinks red, the batteries are exhausted. Please replace the battery in time. Do not mix old and new batteries.

6

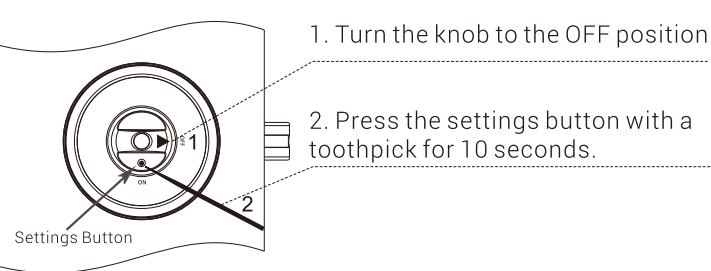
### Emergency Use

If the lock malfunctions, you can insert the key and turn it clockwise to open the lock.



If the batteries run out, you can use a Type-c specification charger to provide emergency power supply.

### Restore Factory Settings



The door lock will emit 10 beeps, indicates that the Factory Settings is restored successfully. (Please use with caution, restoring factory settings will clear all memory data.)

11

## USING INSTRUCTIONS

After the door lock is installed, it is in the experience state, and any fingerprint can open the door.

Administrators and users must be created to use all features of the product

This lock can store 2 administrators and 48 users.

### Create Administrators

Rotate the knob to the OFF position, insert the toothpick into the small circular hole and press the setting button once. The door lock enters the creation administrator and user status. Please press the fingerprint collector 6 times with your fingers. When the door lock prompt beeps twice, the first administrator fingerprint is successfully created. Before the indicator light goes off, you can choose other finger to continue creating the second administrator. Starting from the third fingerprint, it belongs to the user fingerprint is no longer the administrator fingerprint. (The best way to collect fingerprints is as shown in the following figure, the fingerprints from different positions of the fingers on the collector 6 times.

12

Just like using mobile phone fingerprint, in order to reduce the rejection rate of the collector during use.)

### Create Users

Rotate the knob to the OFF position, insert the toothpick into the small circular hole and press the setting button once. Verify the fingerprint of the administrator on the fingerprint collector, and the door lock enters the user creation state. Please press user's finger 6 times on the fingerprint collector and the door lock will beep twice, indicating that the user's fingerprint has been successfully created. Before the indicator light goes off, you can continue to create other users. After the creation is completed, rotate the knob to the ON position for use.

### Restore Factory Settings and Delete Fingerprints

This lock cannot delete the specified fingerprints. The data can only be cleared by restoring the factory settings. Rotate the knob to the OFF position, insert the toothpick into the small circular hole and press the setting button for 10 seconds. The door lock will sound 10 beeps to indicate that the factory Settings are restored successfully.

13

### Back Locking Function

Rotate the knob to the OFF position, and the door will be locked. At this time, only the administrator can open the door, and the user cannot open it. In this state, when the user's fingerprint is read, the indicator light will be white, and the door cannot be opened.

### Silent Mode

Rotate the knob 5 times continuously to activate the silent mode, and then rotate it 5 times to turn on the prompt sound.

### Passage Mode

The administrator's fingerprint presses down on the collector without moving. The indicator of the fingerprint collector turns pink and you will hear 10 beeps. The passage mode is opened. Anyone can turn the handle to open the door and the unlock indicator light is pink. (Please use with caution, the lock will not lock automatically)

Administrators and users can close the passage mode by pressing the collector with their fingerprints and hear 10 beeps. Then the door lock will return to its normal state.

14