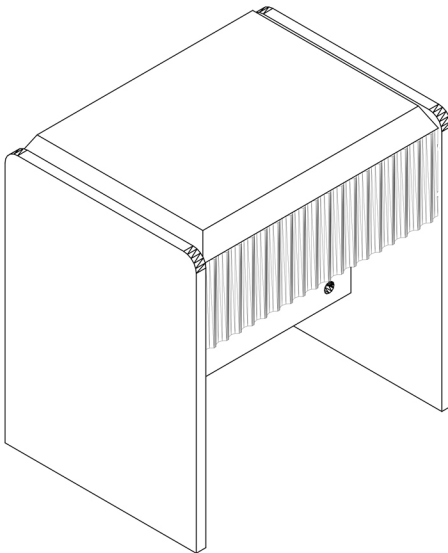


ASSEMBLY INSTRUCTION

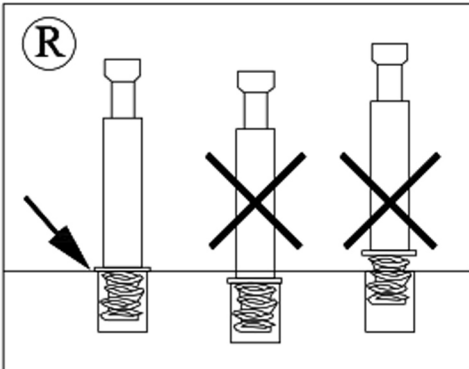
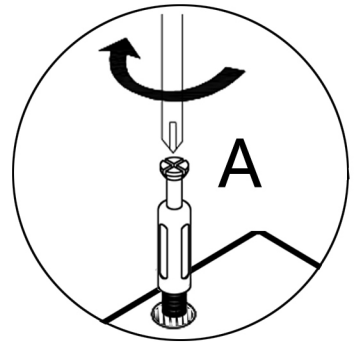
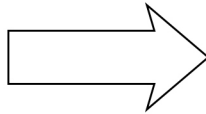
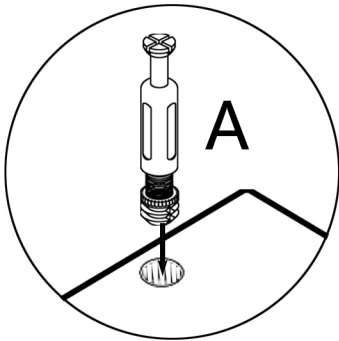
- Please follow the instructions to assemble the items correctly.
- Please ensure the safety of the glass when assembling.
- Do not make the screws too loose or too tight.
- As shown in the figure, Insert the screw into the hole.
The arrow in the picture, Then rotate 90° or 180° clockwise.
- The accessory bag contains some small accessories, which should be kept away from children.
- The remaining parts are spare parts.
- Warm reminder white backboard please install the white side inward
- The operating instruction of RGB light is included in the package , please read it carefully when assembling





Hardware installation demonstration

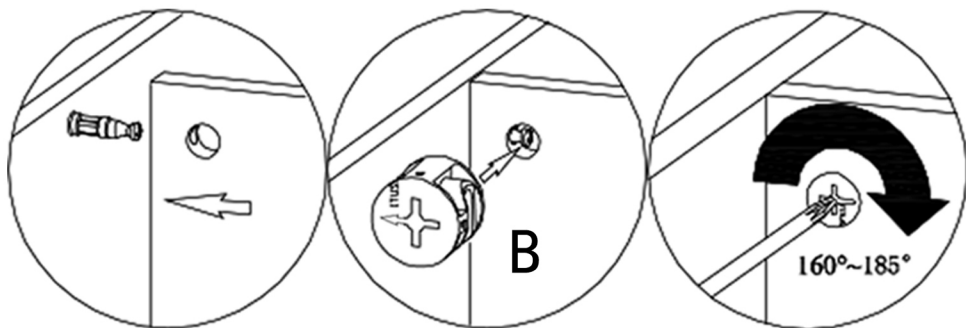
● Please make sure "A" hardware tightened and can't be pulled out

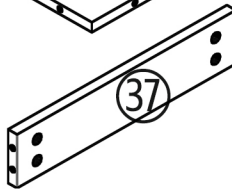
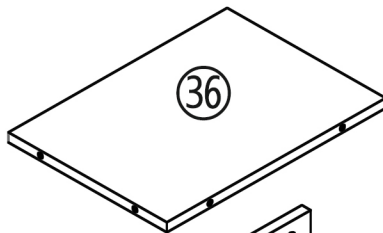
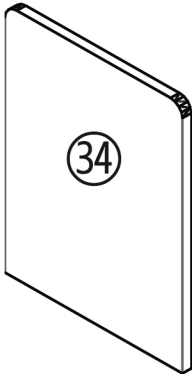
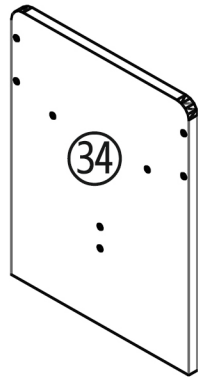
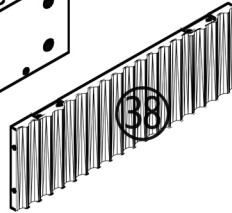
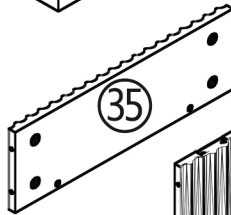
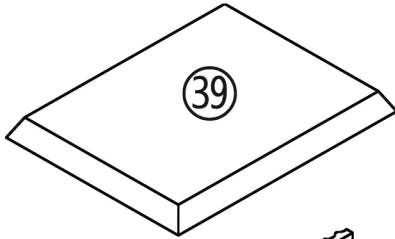




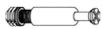
Hardware installation demonstration

- When inserting cam ensure arrowhead on cam points toward to the hole on the panel edge





A



20pcs

B



20pcs

C



3.5*14

8pcs

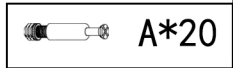
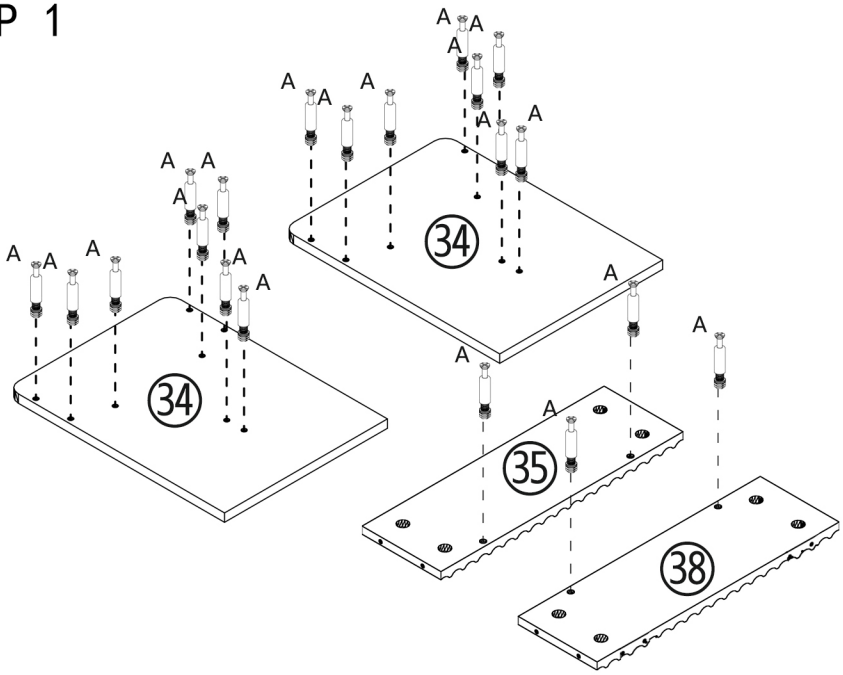
I



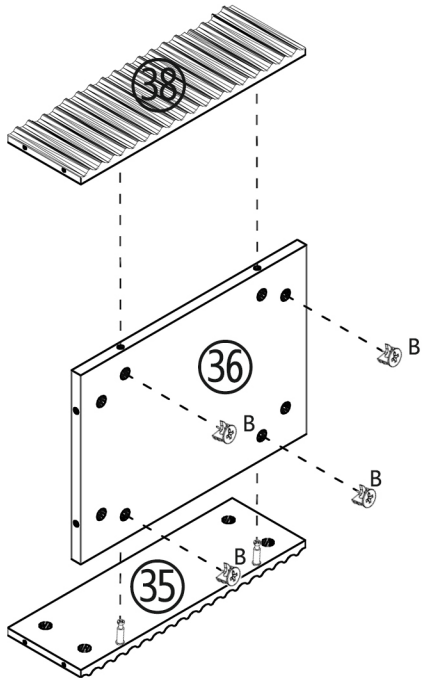
2pcs

| | | | | | | |
|--|--|--|--|--|--|--|
| | | | | | | |
|--|--|--|--|--|--|--|

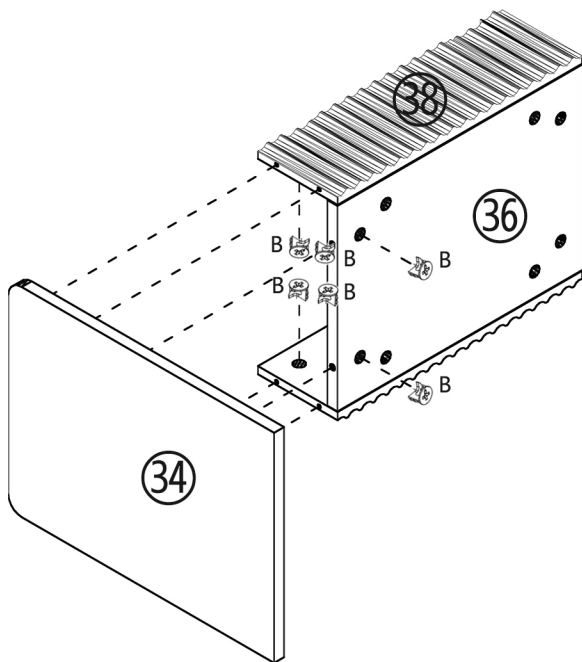
STEP 1



STEP 2

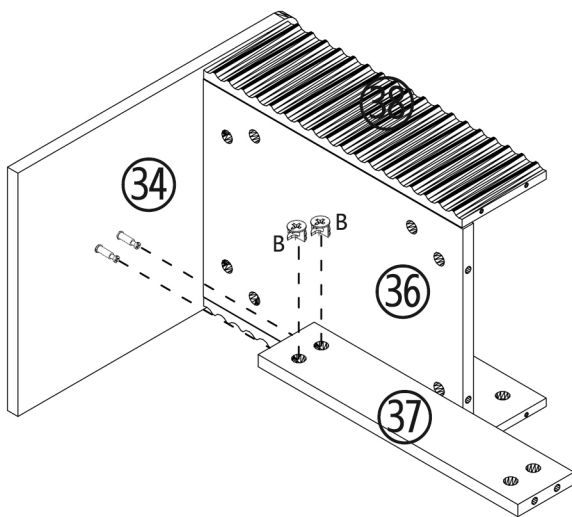



STEP 3



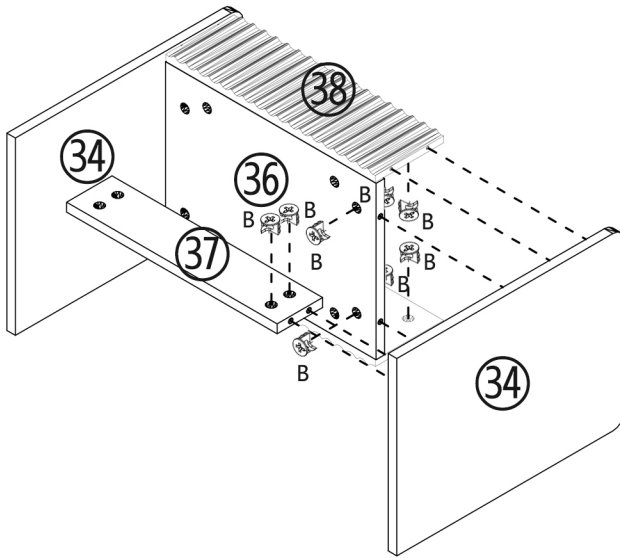
 B*6

STEP 4



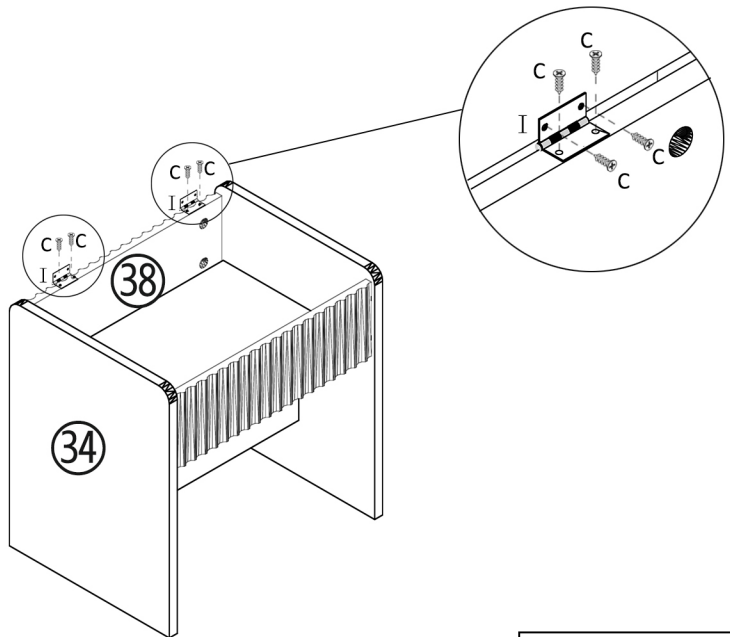
 B*2

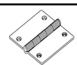

STEP 5



 B*8

STEP 6



| | |
|---|-----|
|  | I*2 |
|  | C*4 |

