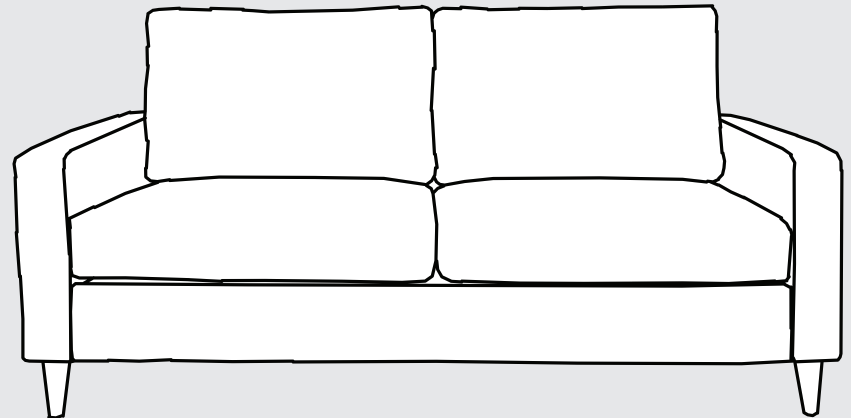


## APARTMENT SOFA



### ADULT ASSEMBLY REQUIRED

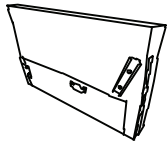
If you are missing any parts or have any questions regarding assembly, do not return this item to the retailers store. Please call our toll-free, customer service number and have this assembly manual open to the parts list ready to provide the model name, number and part name or number.



**WARNING:** This product may contain small components, please ensure they are kept away from small children.

## PARTS AND HARDWARE

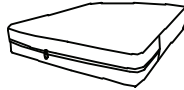
Avoid using sharp objects such as a knife to cut open packing as you may accidentally damage the upholstery.



A. Arms  
2x



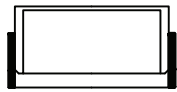
B. Back Cushion  
2x



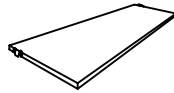
C. Seat Cushion  
2x



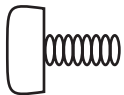
D. Front Rail  
1x



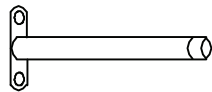
E. Backrest  
1x



F. Seat Deck  
1x



G. Hand Threaded Bolt  
2x

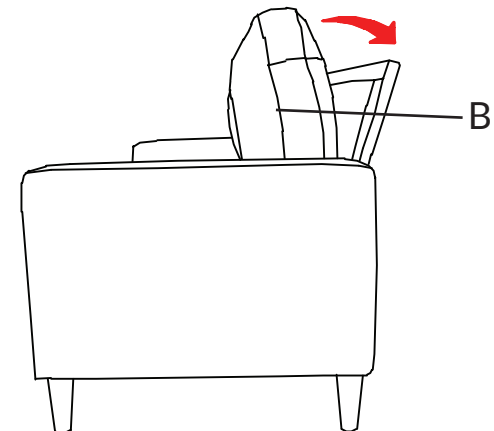
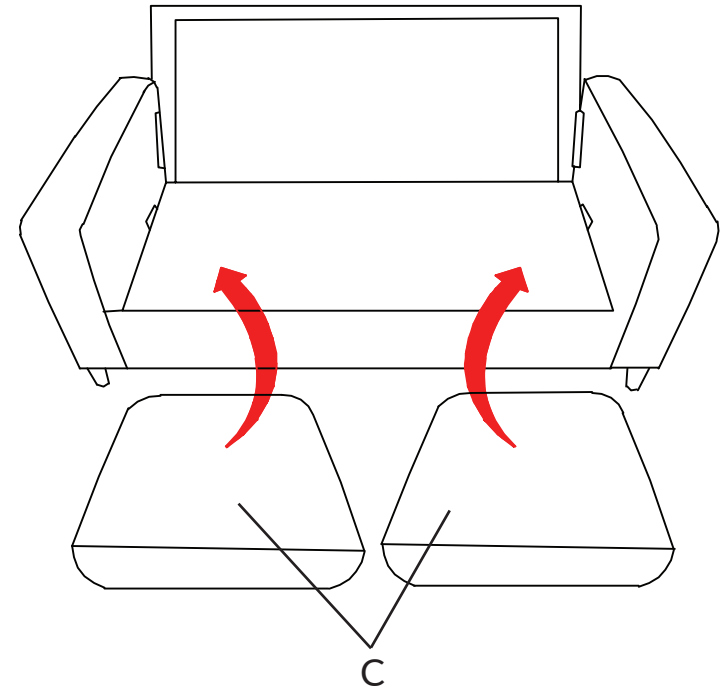


H. Center Support Leg  
1x

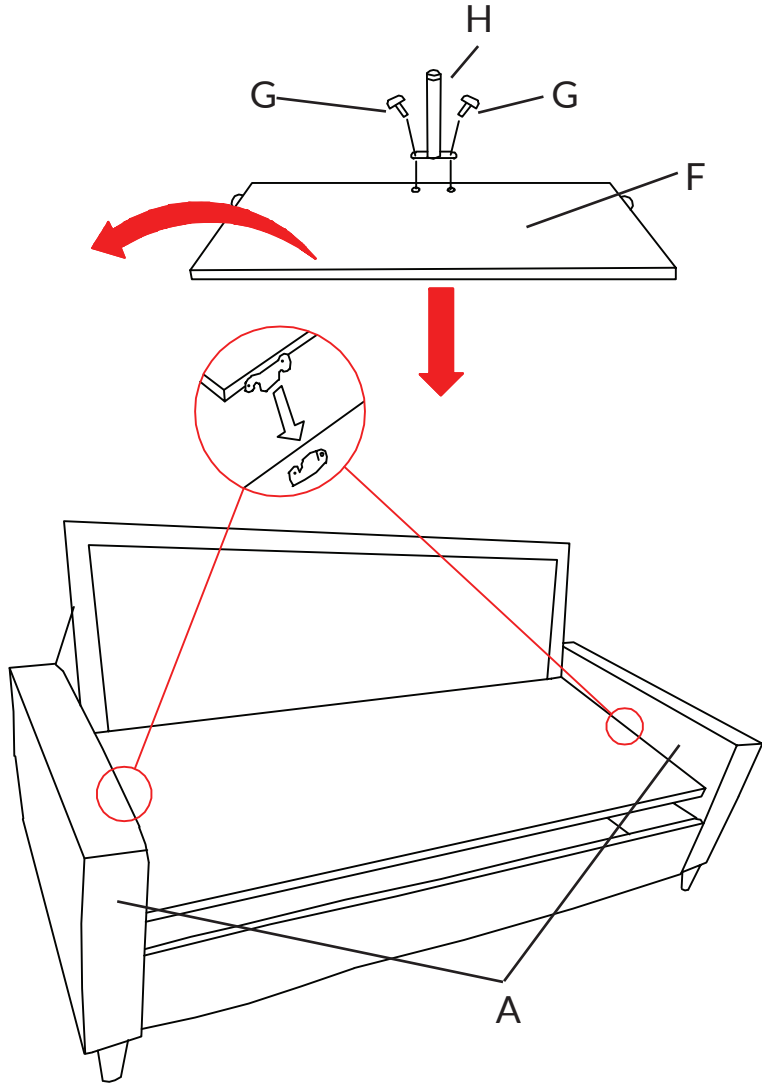


I. Legs  
4x

## 5 Place Seat Cushions (C) and Back Cushions (B) onto Assembled Sofa.



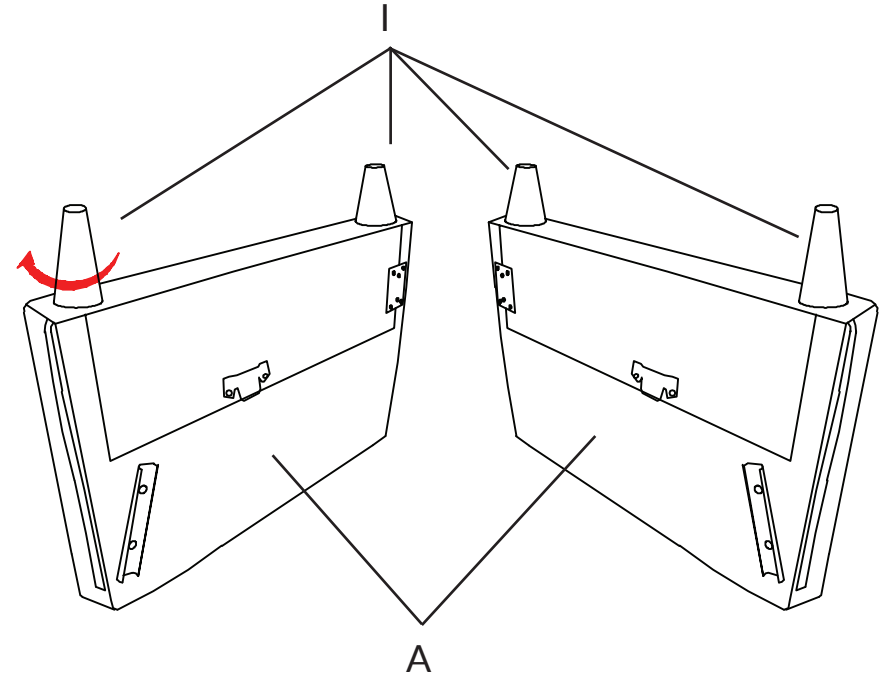
- 4** Attach Center Support Leg (H) to Seat Deck (F) by hand turning Hand Threaded Bolt (G) into insert nut. Then attach the Seat Deck (F) to the Arms (A) by placing the two metal brackets on the Seat Deck (F) over the metal brackets on each Arm (A). The Seat Deck (F) will lock into place.



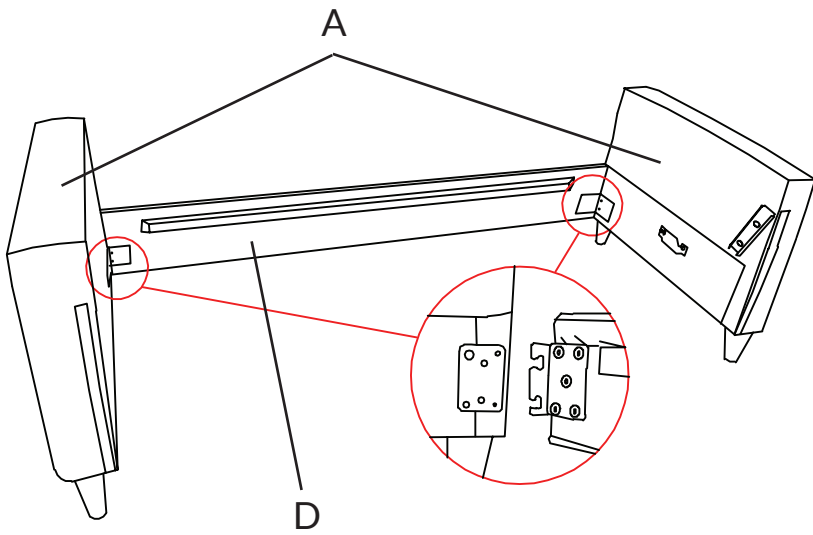
## ASSEMBLY INSTRUCTIONS

Do not fully tighten bolts until assembly is complete.

- 1** Attach Legs (I) to Arms (A) by hand turning threaded post into insert nut.



- 2** Attach Front Rail (D) to Arms (A) by slipping the bracket opening over the fixed post. Press down to click into place.



- 3** Attach the Backrest (E) to the Arms (A) by sliding the brackets on the Backrest (E) into the glides on the Arms (A).

