

! SAFETY WARNINGS !

1. This bed is designed for use only mattress (es) meeting the following specifications on the upper bunk, and lower bunk

Upper bed

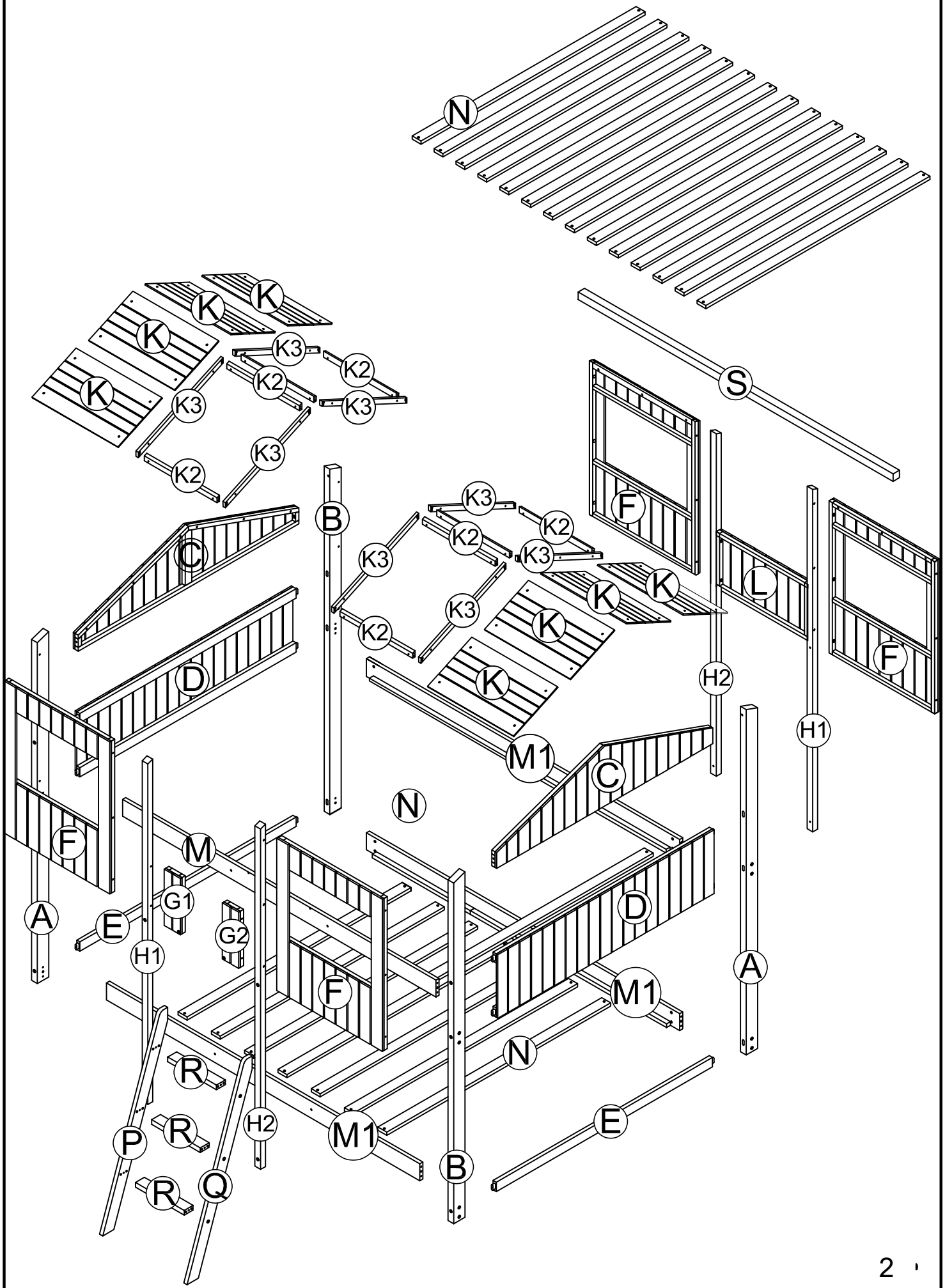
Bed Type	Length	Width	Thickness
<i>Full Standard</i>	<i>74" - 75"</i>	<i>53 1/2"</i>	<i>6" max</i>

Lower bed

Bed Type	Length	Width	Thickness
<i>Full Standard</i>	<i>74" - 75"</i>	<i>53 1/2"</i>	<i>8" max</i>

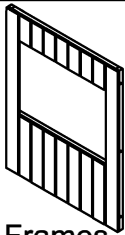
2. Replacement parts, including additional guardrails, maybe obtained from any of our dealers
3. Follow the information on the warnings appearing on the upper bunk bed end structure and on the carton. Do not remove warning label from bed
4. Always use the recommended size mattresses or mattress supports, or both, to help prevent the likelihood of entrapment or falls.
5. Surface of mattress must be at least 5" (127mm) below the upper edge of guardrails
6. Do not allow children under 6 years of age to use the upper bunk.
7. Periodically check and ensure that the guardrail, ladder, and other components are in their proper position, free from damage, and that all connectors are tight.
8. Do not allow horseplay on or under the bed and prohibit jumping on the bed.
9. Always use the ladder for entering and leaving the upper bunk.
10. Do not use substitute part. Contact the manufacture or dealer for replacement part
11. Use of a night light may provide added safety precaution for a child using the upper bunk..
12. Always use guardrails on both long sides of the upper bunk. If the bunk bed will be placed next to the wall, the guardrail that runs the full length of the bed should be placed against the wall to prevent entrapment between the bed and wall.
13. The use of water or sleep flotation mattresses is prohibited
14. **STRANGULATION HAZARD** - Never attach or hang items to any part of the bunk bed that are not designed for use with the bed; for example, but not limited to, hook, belts and jump ropes
15. Keep these instruction for future reference
16. Prohibit more than one person on upper bunk
17. We recommend assembling your bunk bed on the shipping carton to protect your floor or carpet
18. Be certain all staples are out of the box before beginning assembly on the shipping carton.

ASSEMBLY INSTRUCTION



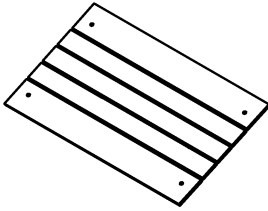
Part List(Box 1)

F



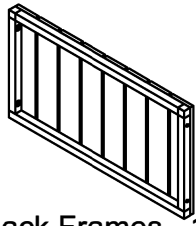
Front Frames - 4pcs

K



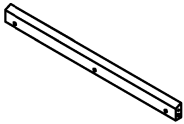
Roof Top Frames - 8pcs

L



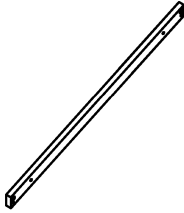
Back Frames - 1pcs

K2





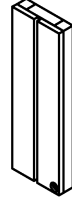
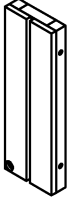


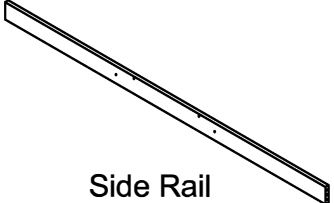
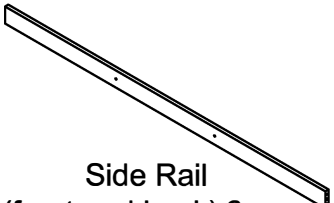


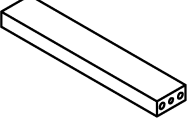
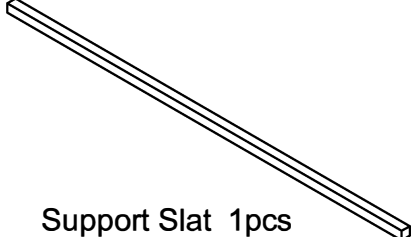
Wood Bars - 8pcs

K3



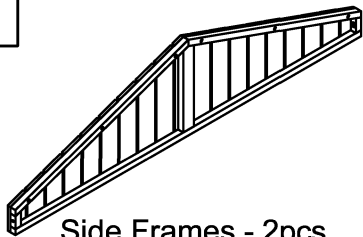
Wood Bars - 8pcs

Part List & Hardware List (Box 2)

<p>A</p>  <p>Legs- 2pcs</p>	<p>B</p>  <p>Legs- 2pcs</p>	<p>G1</p>  <p>Front Frames - 1pcs</p>
<p>G2</p>  <p>Front Frames - 1pcs</p>	<p>H1</p>  <p>Wood Bars - 2pcs</p>	<p>H2</p>  <p>Wood Bars - 2pcs</p>
<p>M</p>  <p>Side Rail (front and back) 1pcs</p>	<p>M1</p>  <p>Side Rail (front and back) 3pcs</p>	<p>P</p>  <p>Side Ladder(Left) 1pcs</p>
<p>Q</p>  <p>Side Ladder(Right) 1pcs</p>	<p>R</p>  <p>Step Ladder 3pcs</p>	<p>S</p>  <p>Support Slat 1pcs</p>

Part List(Box 3)

C



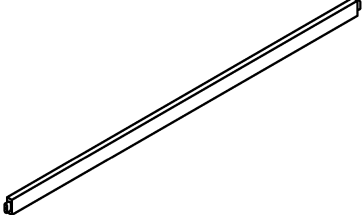
Side Frames - 2pcs

D



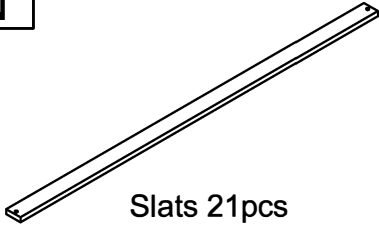
Side Frames - 2pcs

E





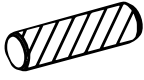



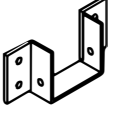






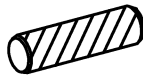
Wood Bars - 2pcs

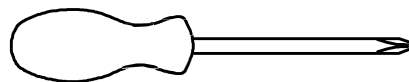
N



Slats 21pcs

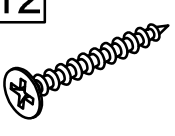
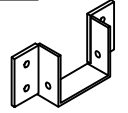
Hardware List(Box 2)

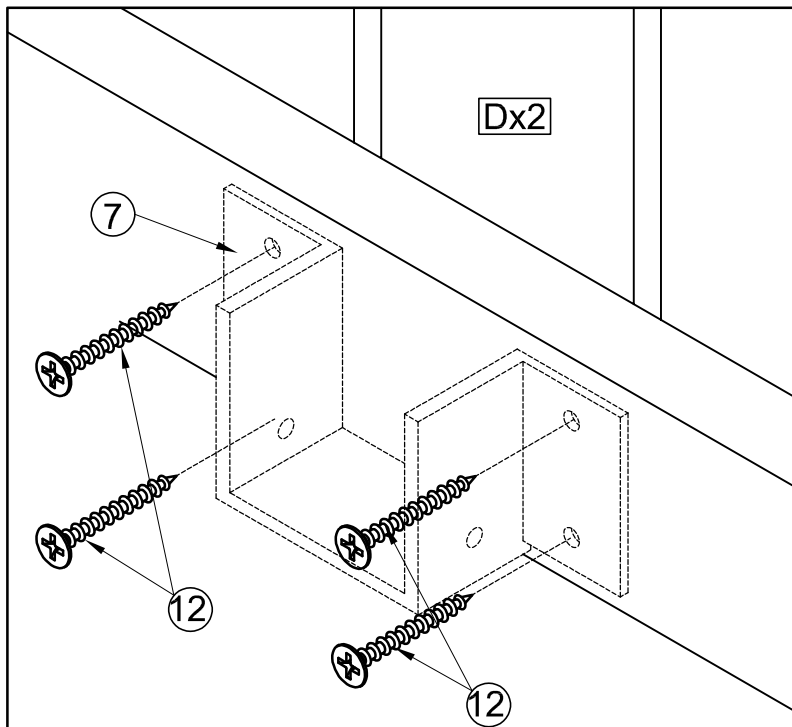
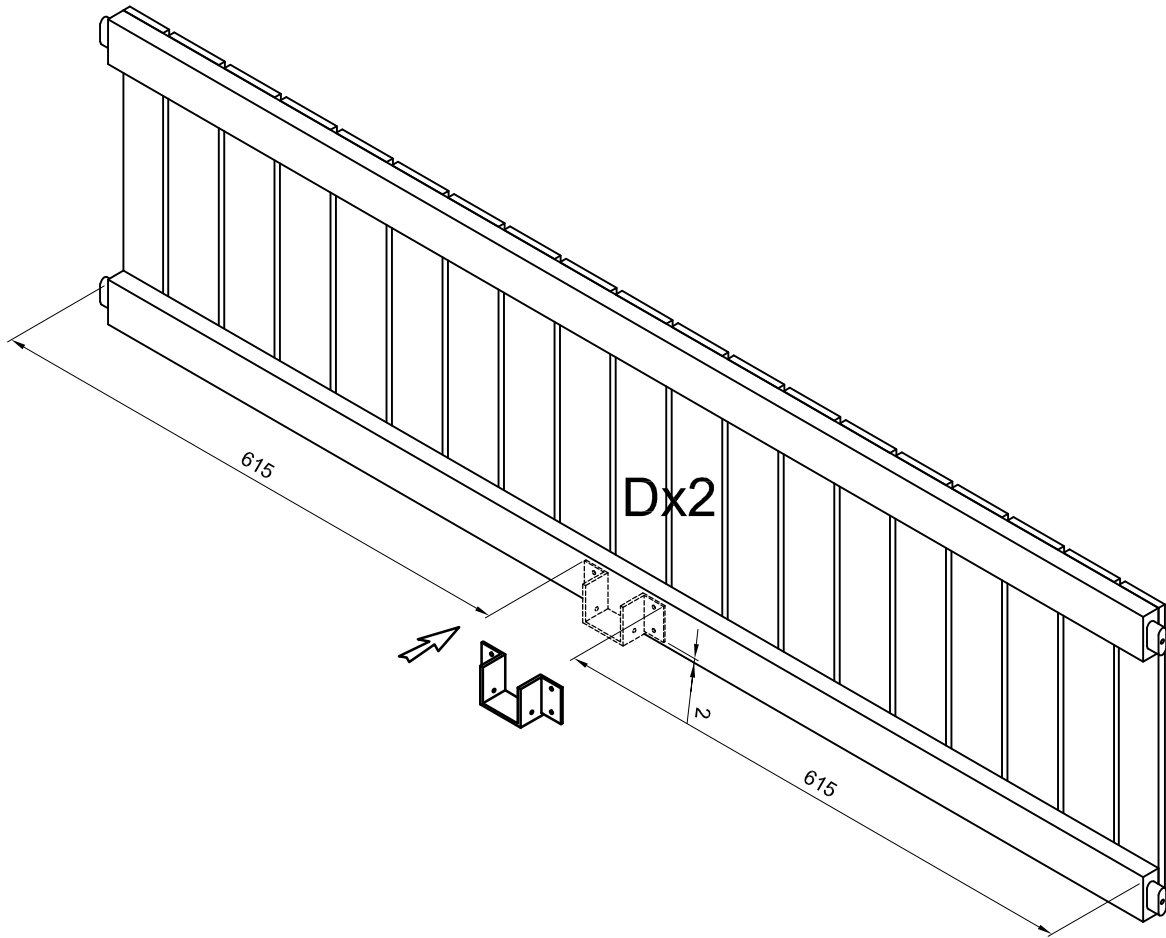
<p>1</p>  <p>Screws 1/4" x100 (12pcs)</p>	<p>2</p>  <p>Ø1/4" x 35 mm Hex-Head bolts 16pcs</p>	<p>3</p>  <p>Ø10 x 40 mm Wood dowel 20pcs</p>
<p>4</p>  <p>Ø1/4" x 80 mm Hex-Head bolts 16pcs</p>	<p>5</p>  <p>Ø1/4" x 13 mm Horizontal-Hole bolts 16pcs</p>	<p>6</p>  <p>Ø1/4" x 15 mm Canopy head though - 6pcs</p>
<p>7</p>  <p>Steel Bracket 2pc</p>	<p>8</p>  <p>M4 x 30 mm Wood Screws 42pcs</p>	<p>9</p>  <p>Ø1/4" x 30 mm Hex-Head bolts 60pcs</p>
<p>10</p>  <p>Screws 1/4" x50 (22pcs)</p>	<p>11</p>  <p>Bracket 2 pcs</p>	<p>12</p>  <p>M4 x 20 mm Wood Screws 46pcs</p>
<p>13</p>  <p>Allen Key 1pc</p>	<p>14</p>  <p>Ø8 x 30 mm Wood dowel 16pcs</p>	



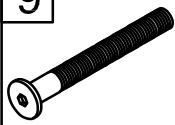
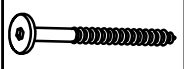
Assembly Tools Required (Not Included)

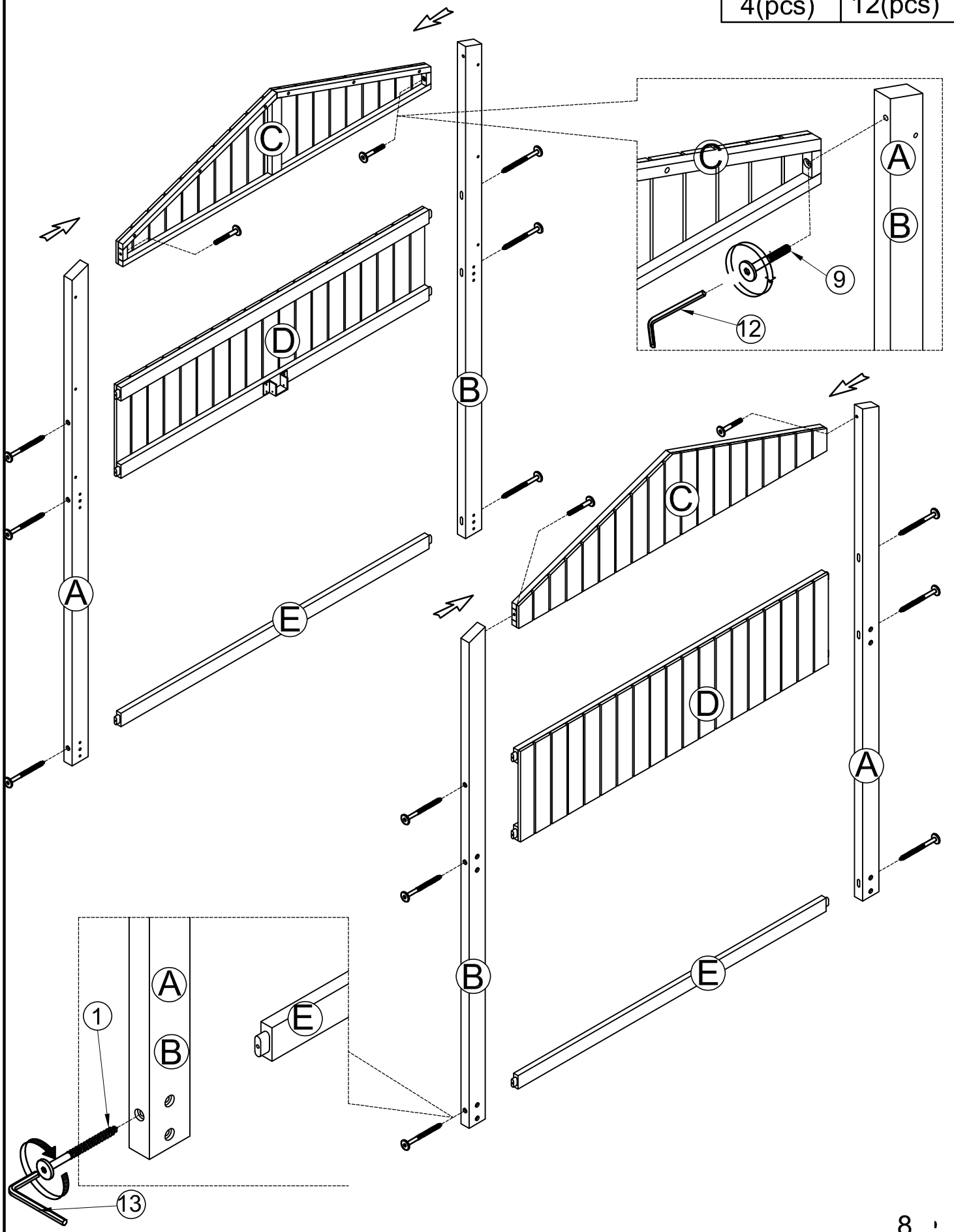
STEP 1: Following below illustration.

12	7
	
8(pcs)	2(pcs)


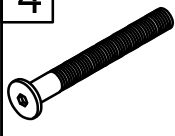
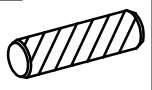


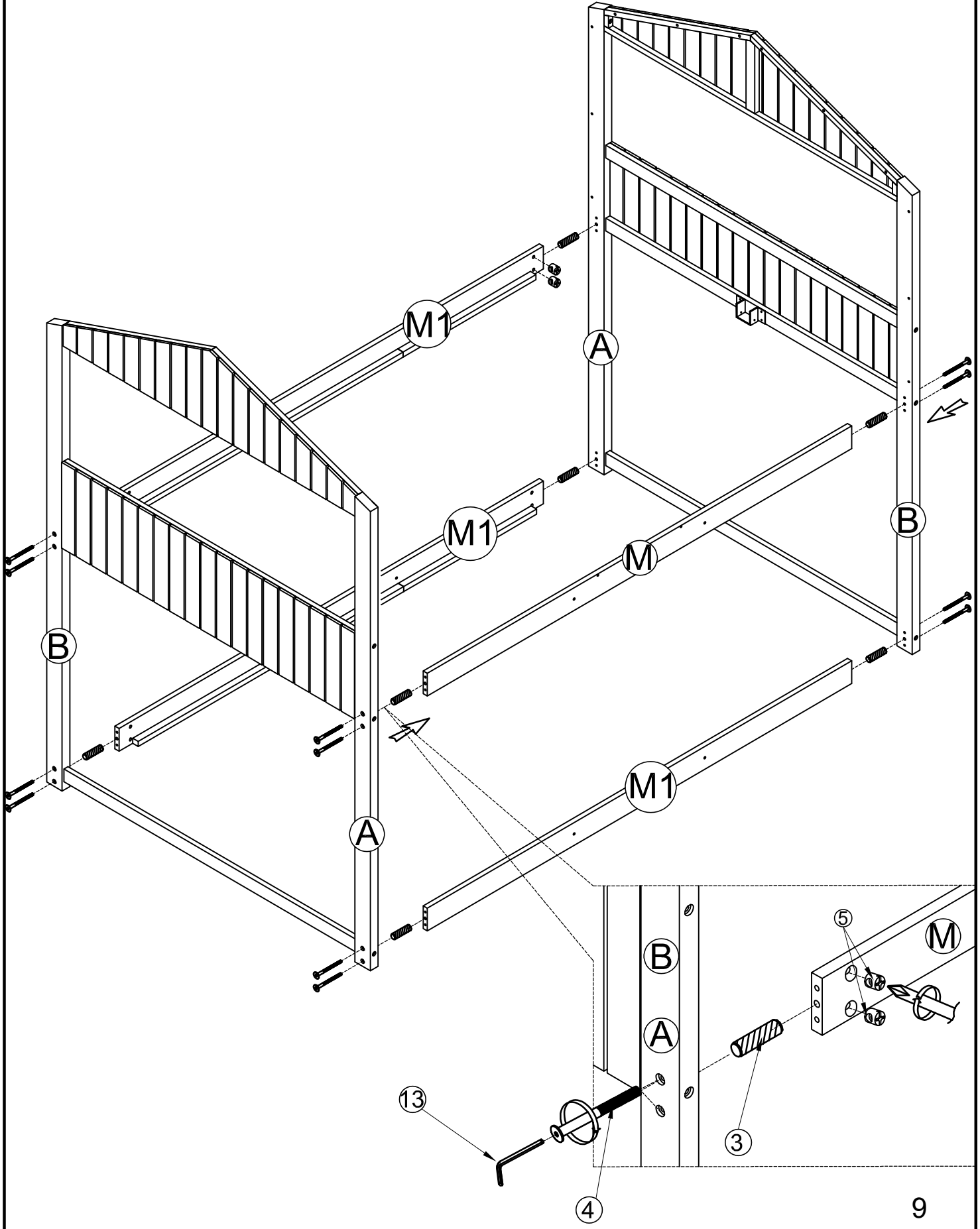
STEP 2: Following below illustration.

9	1
	
4(pcs)	12(pcs)



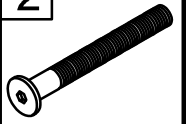
STEP 3: Following below illustration.

5	4	3
		
16(pcs)	16(pcs)	8(pcs)

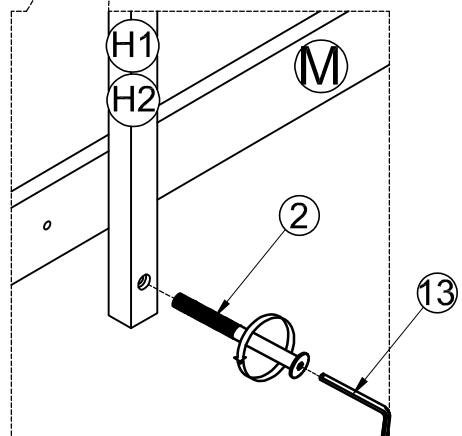
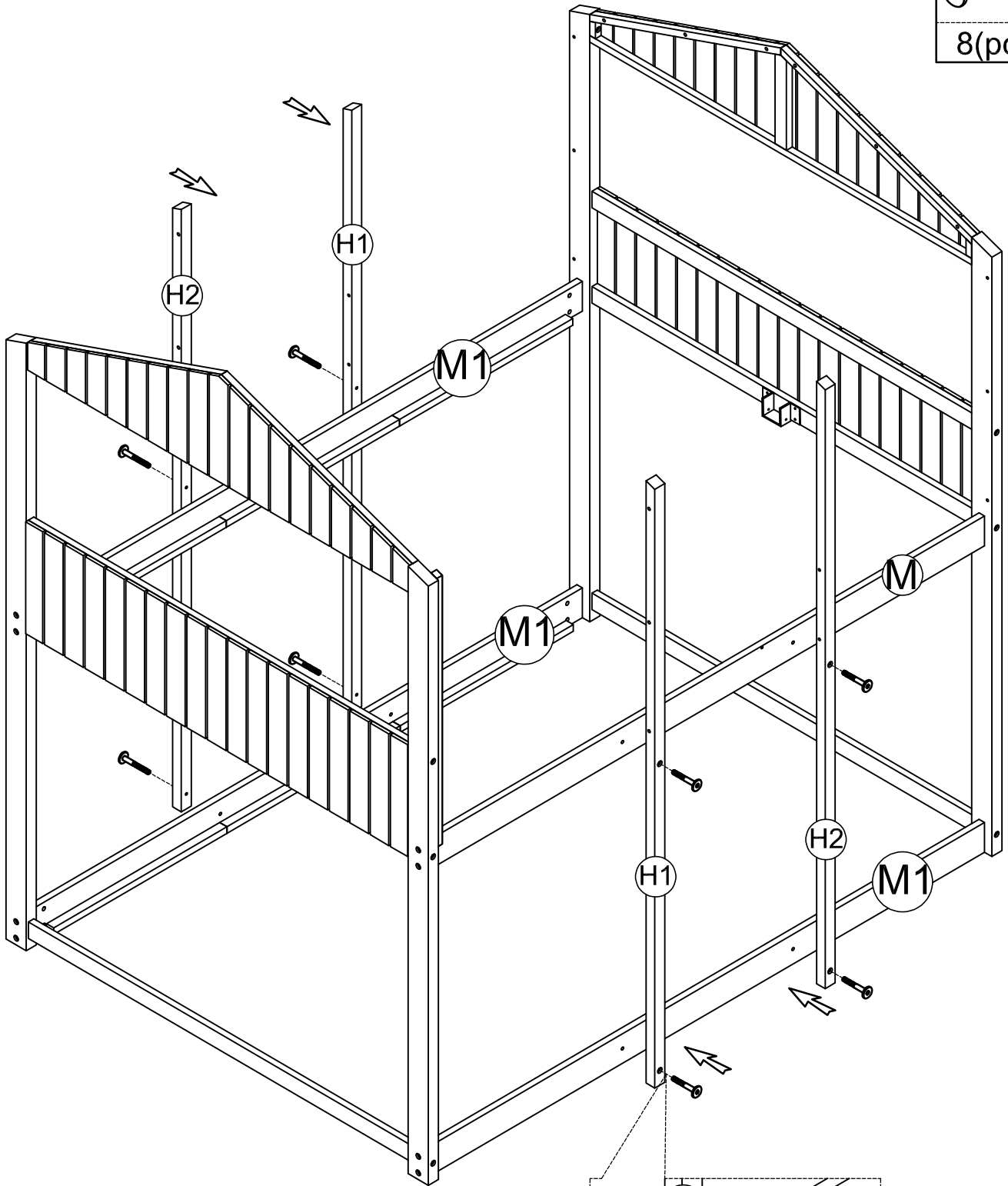


STEP 4: Following below illustration.

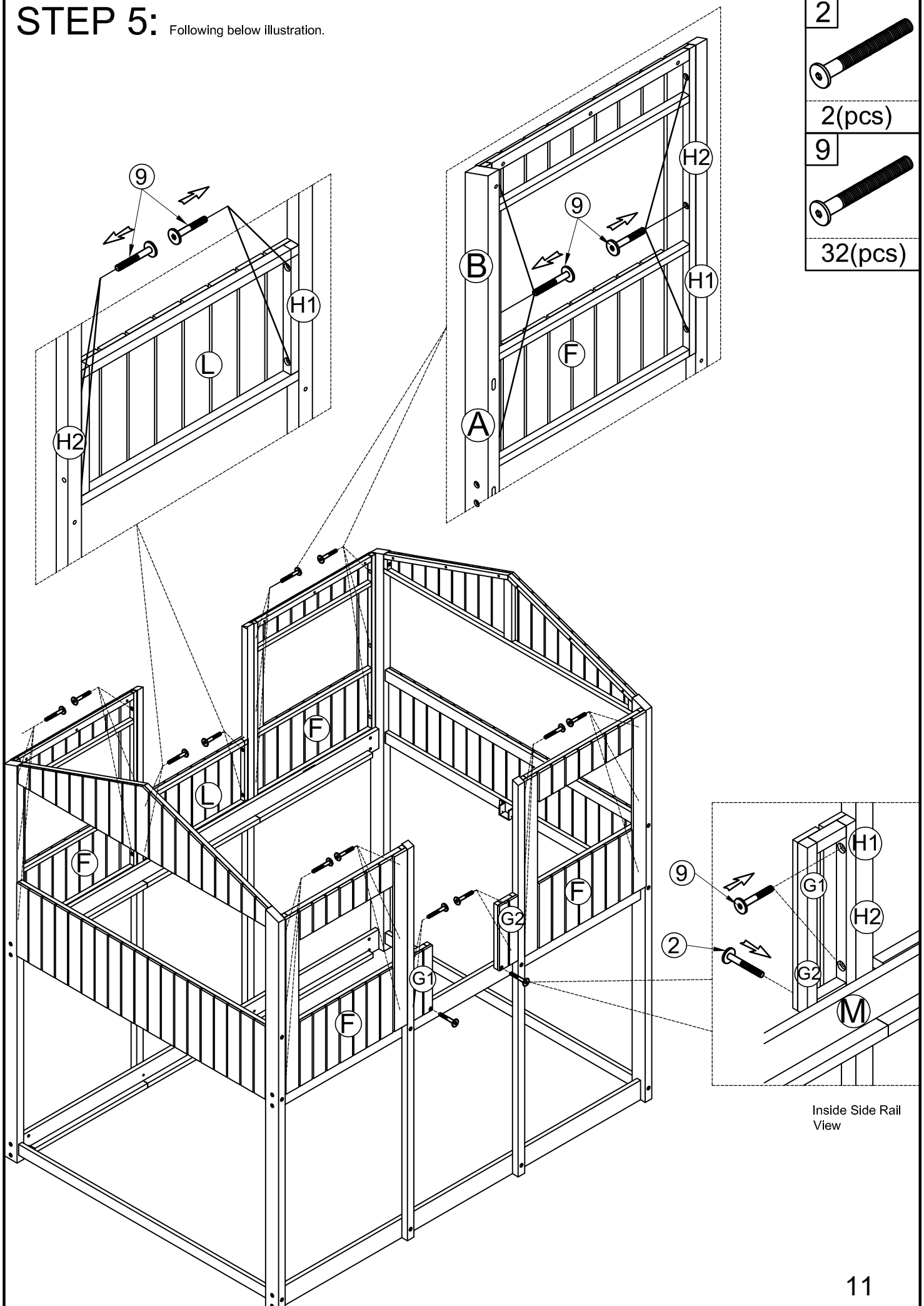
2

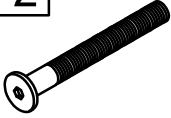
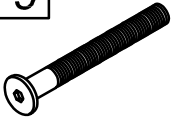


8(pcs)



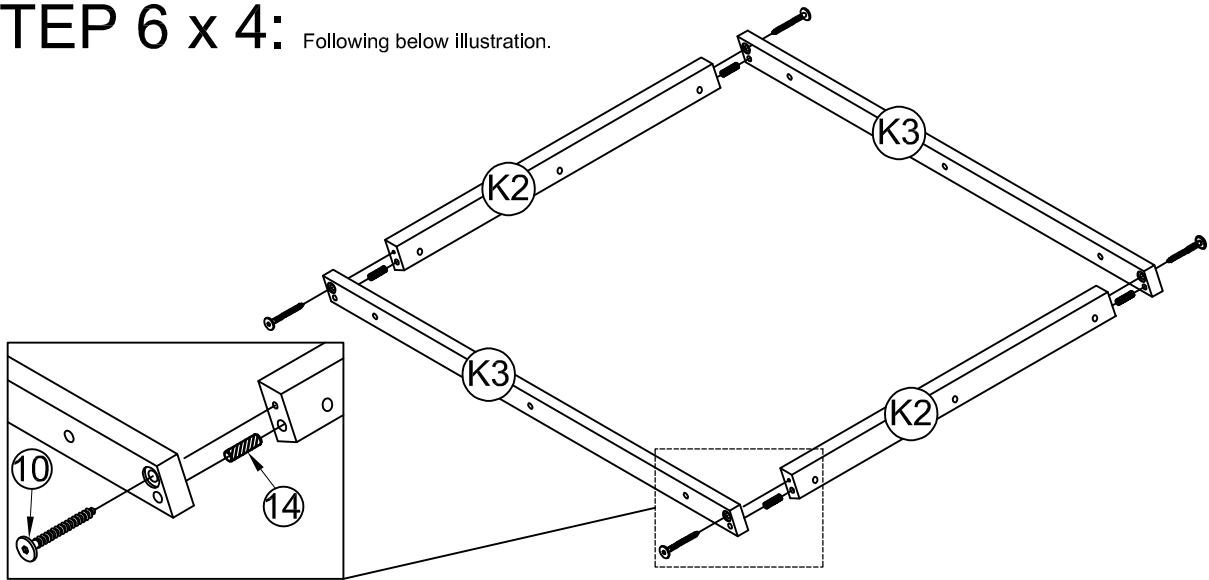
STEP 5: Following below illustration.



- | | |
|---------|---|
| 2 |  |
| 2(pcs) | |
| 9 |  |
| 32(pcs) | |

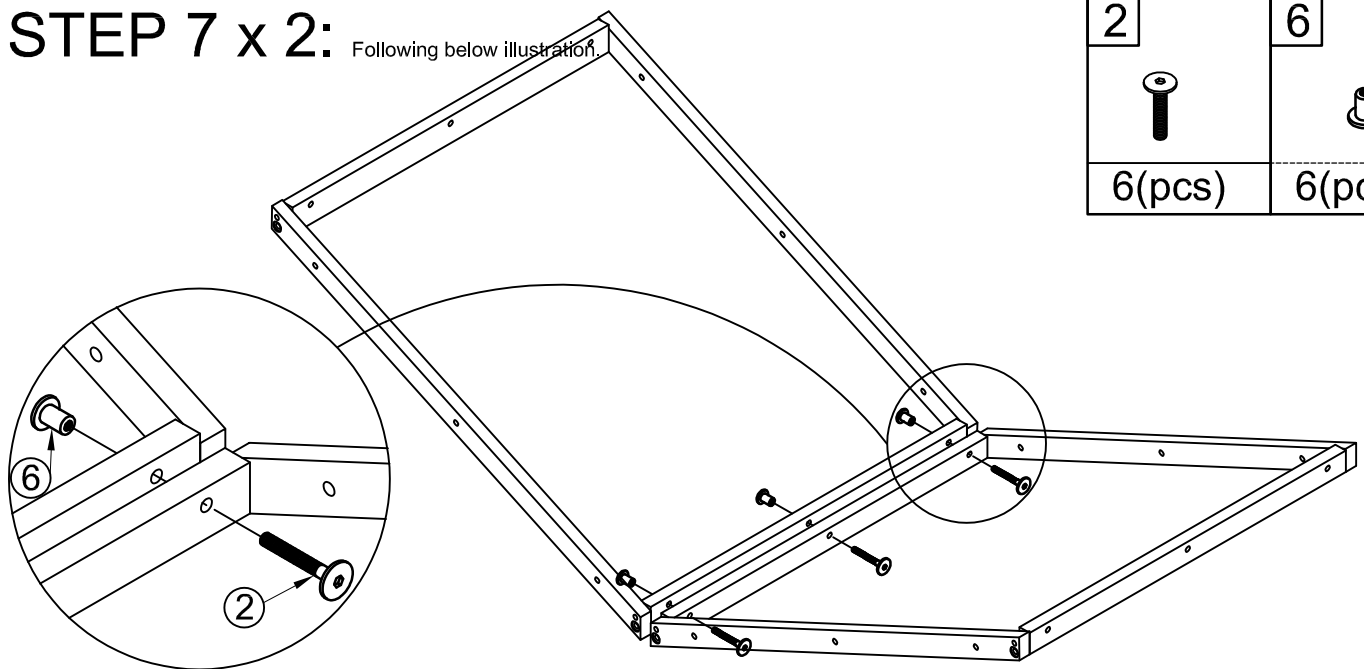
Inside Side Rail View

STEP 6 x 4: Following below illustration.



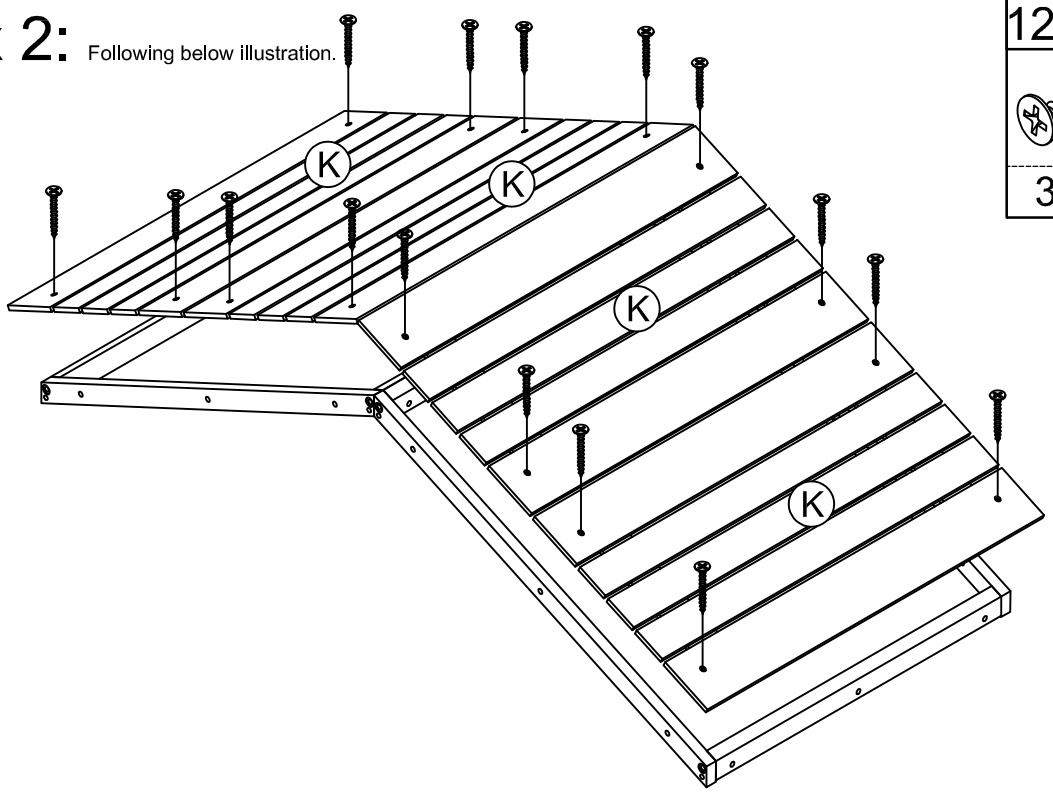
14	
16(pcs)	
10	
16(pcs)	

STEP 7 x 2: Following below illustration.



2		6	
6(pcs)		6(pcs)	

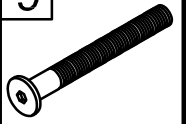
STEP 8 x 2: Following below illustration.



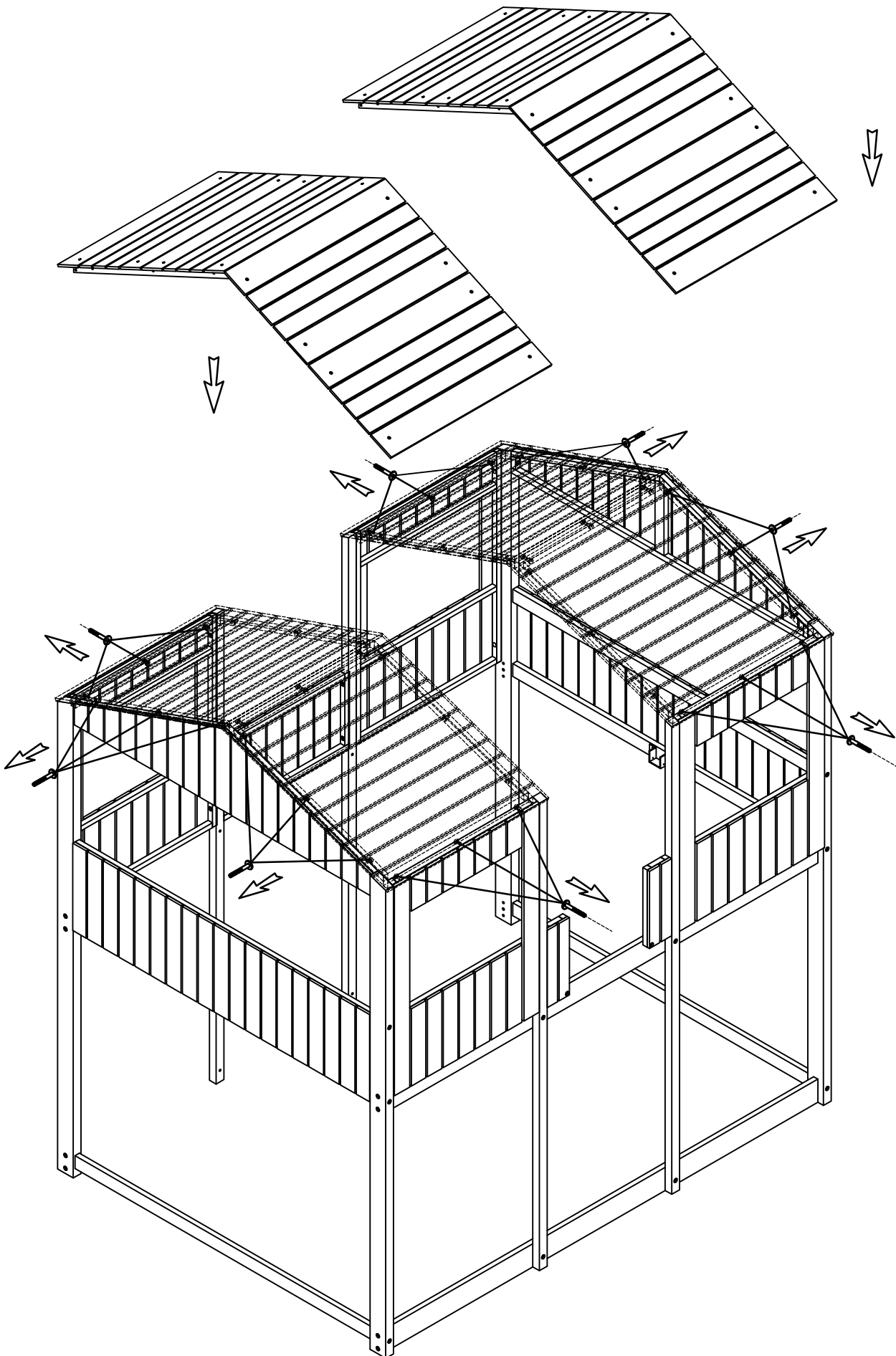
12	
32(pcs)	

STEP 9: Following below illustration.

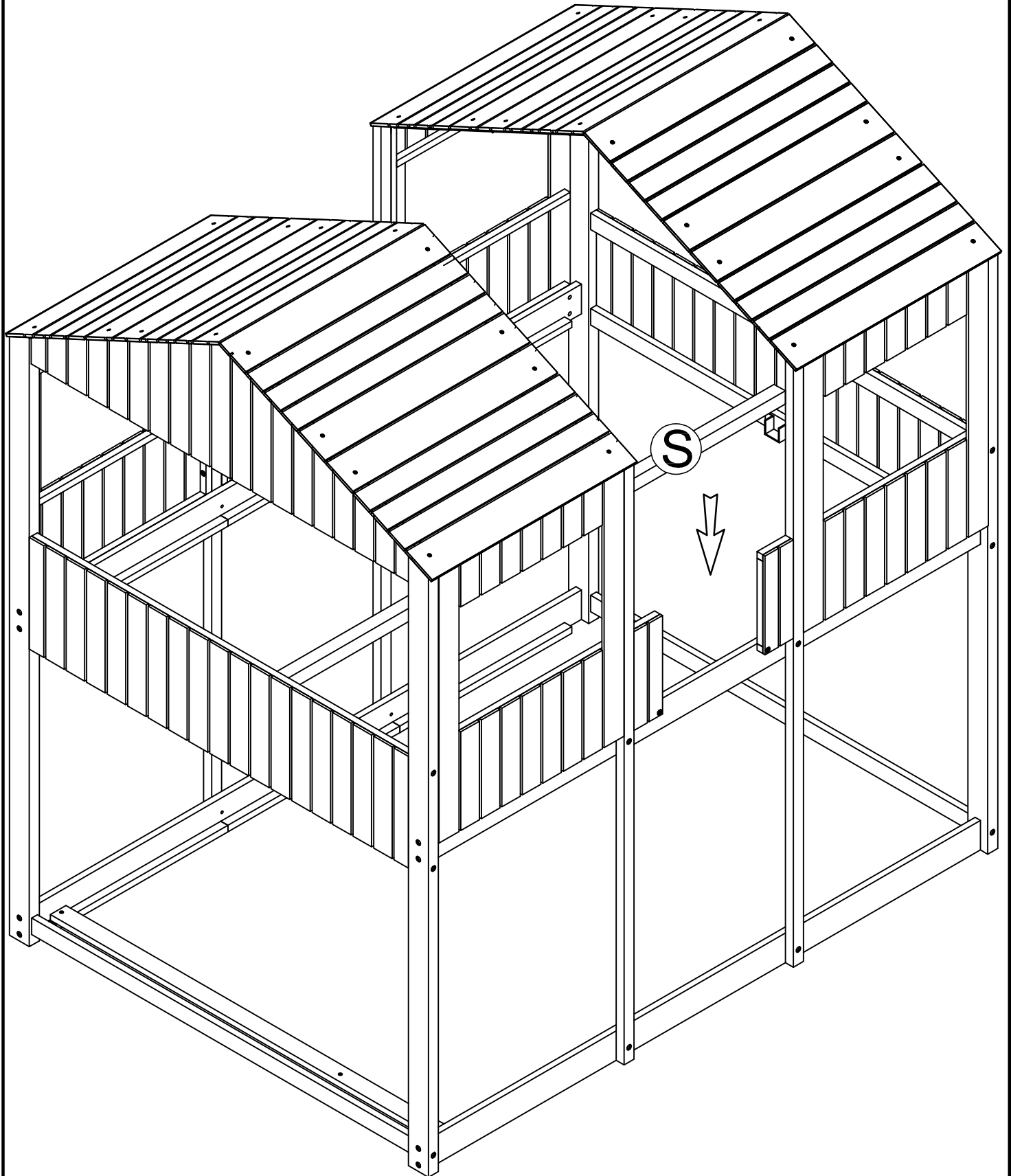
9



24(pcs)

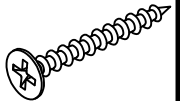


STEP 10: Following below illustration.

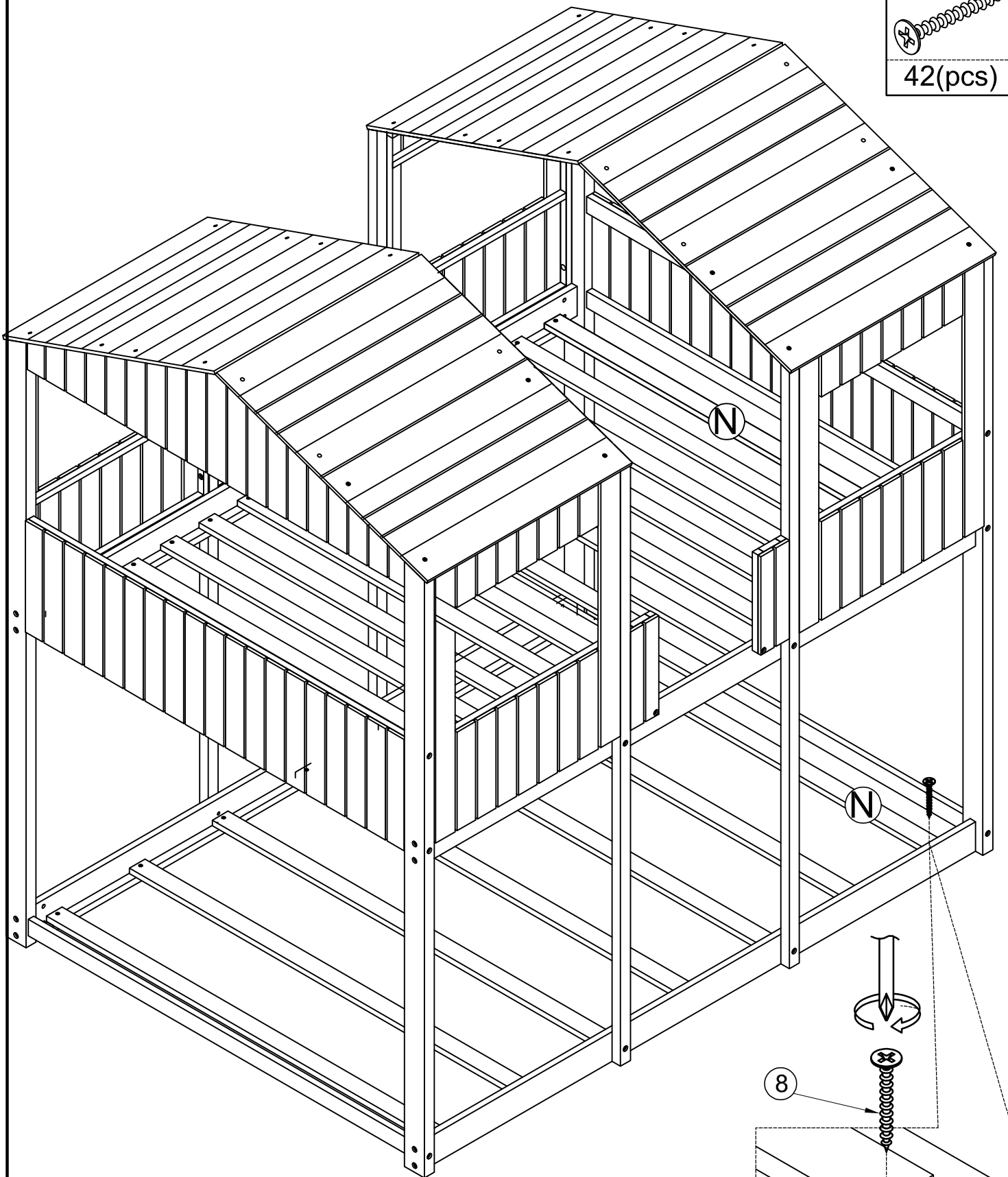


STEP 11: Following below illustration.

8



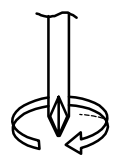
42(pcs)




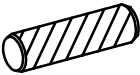
N

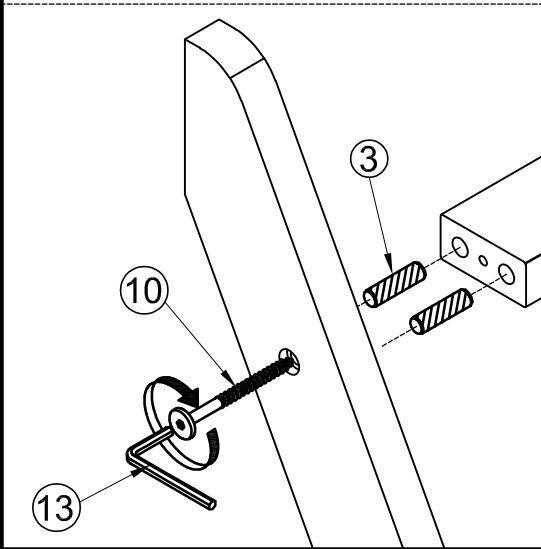
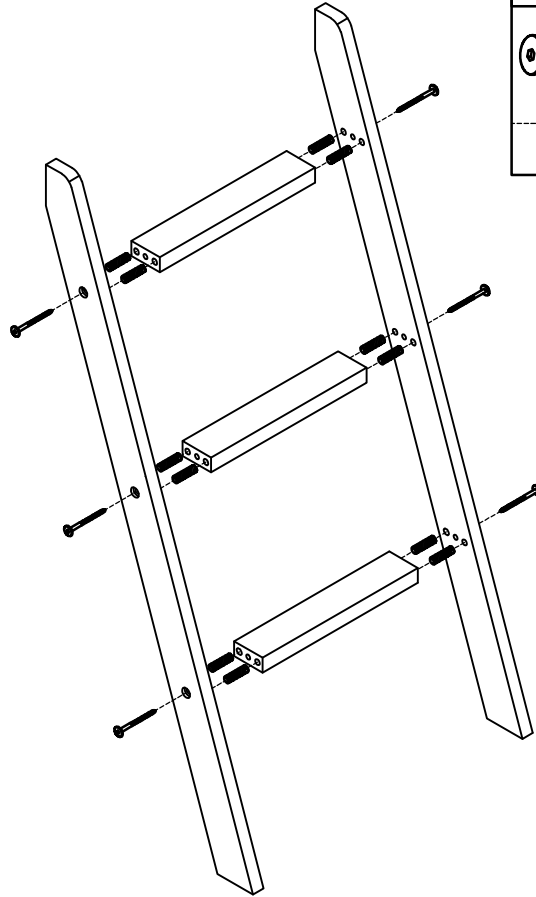
N

8





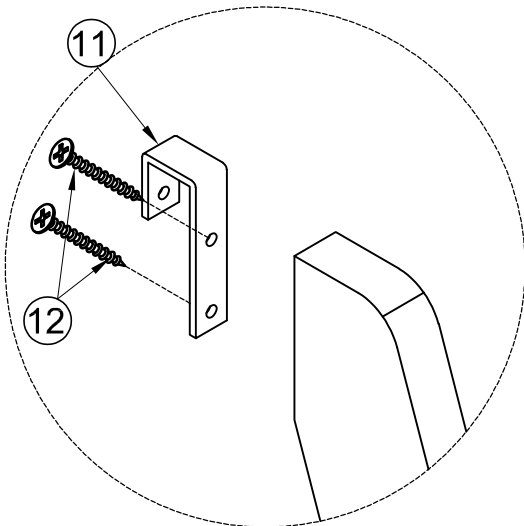
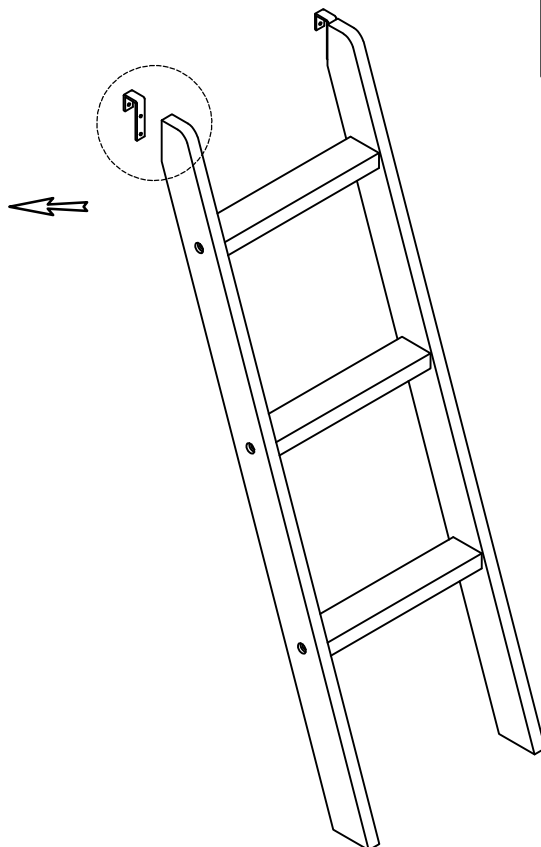
STEP 12: Following below illustration.

10	3
	
6(pcs)	12(pcs)



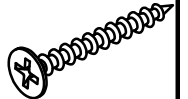
STEP 13: Following below illustration.

12	11
	
4(pcs)	2(pcs)

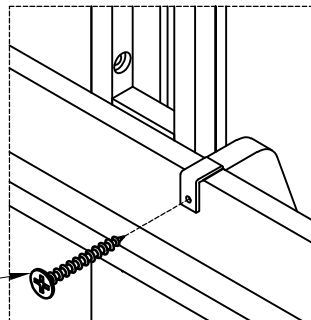
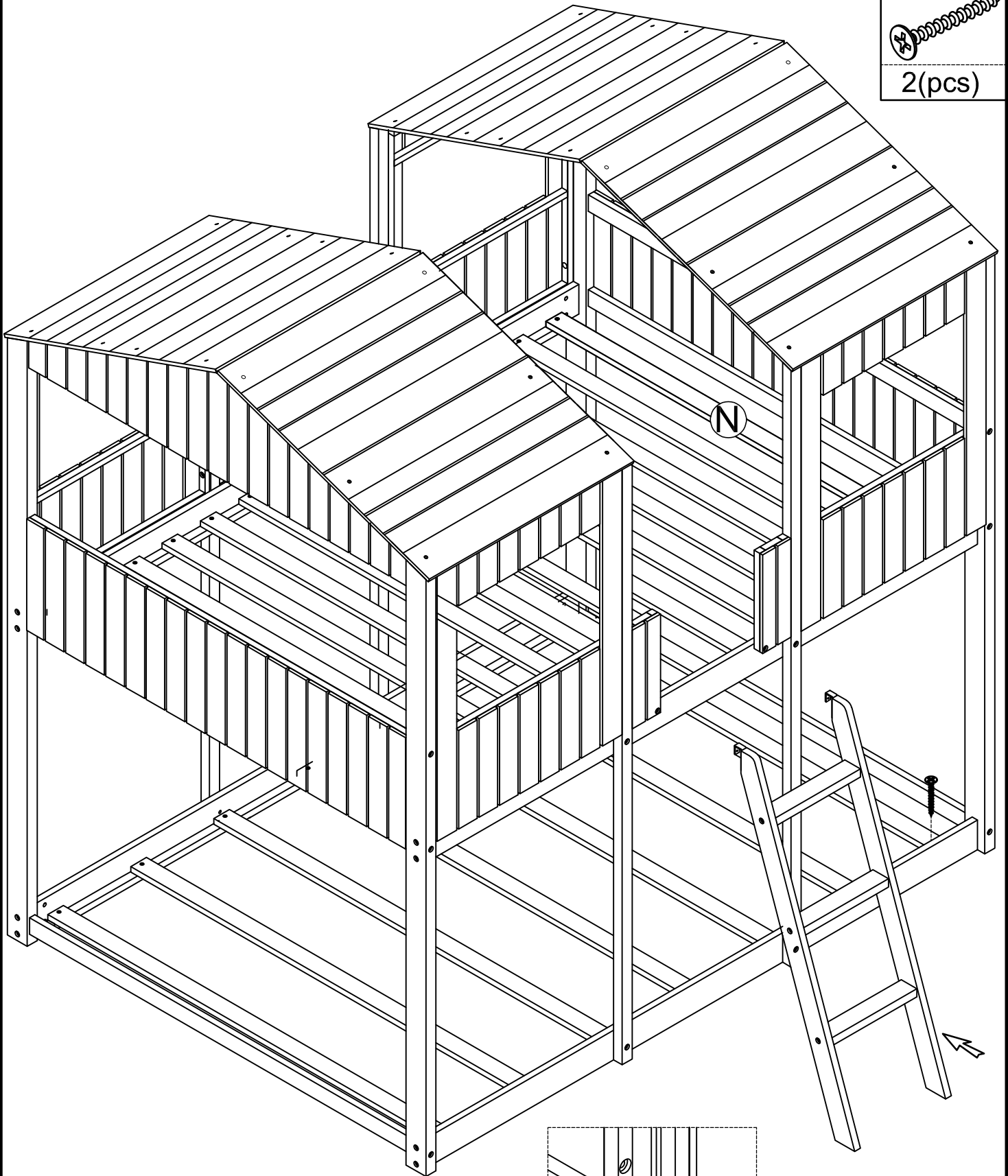


STEP 14: Following below illustration.

12



2(pcs)



12

Inside Side Rail View