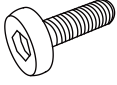

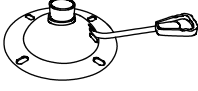


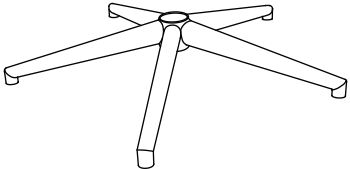
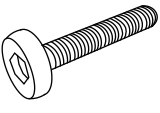

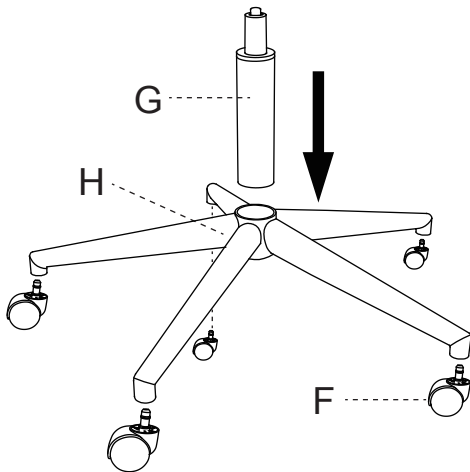
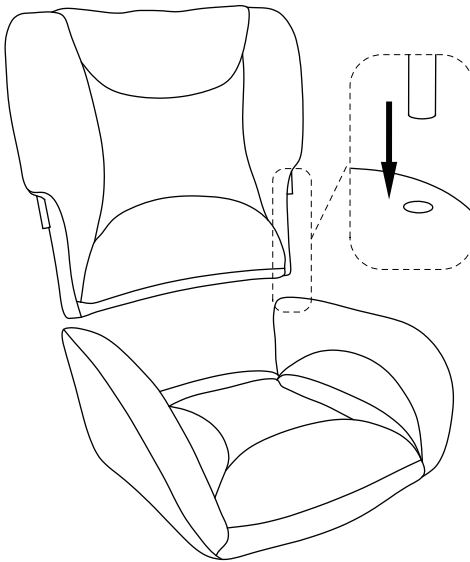
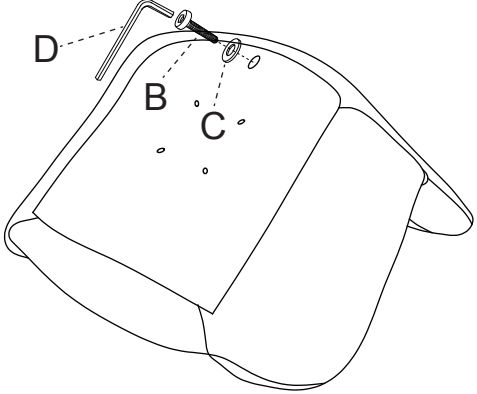
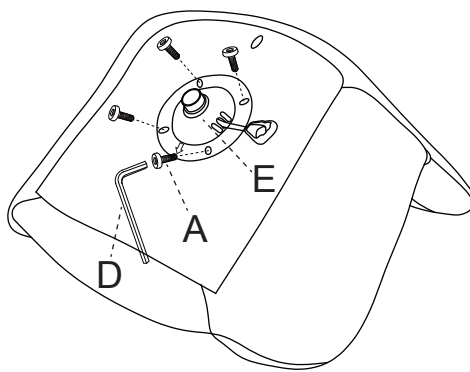
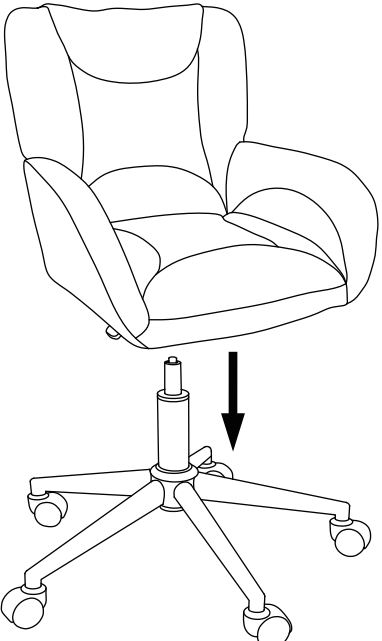



ASSEMBLY INSTRUCTIONS

A  M6*20mm x4	C  M8*22*2mm x1	E  x1	F  x5	G  x1	H  x1
B  M6*45mm x1	D  M6 x1				

STEP 1  Diagram showing the gas cylinder (G) being inserted into the center of the chair base (H). A downward arrow indicates the direction of insertion. A dashed line points to the casters (F) on the base.	STEP 2  Diagram showing the seat being attached to the base. A dashed box highlights the connection point, with an arrow pointing to the hole in the seat.	STEP 3  Diagram showing the seat being attached to the base. A dashed box highlights the connection point, with an arrow pointing to the hole in the seat. Labels B, C, and D indicate the location of the screws and washer.
--	--	--

STEP 4  Diagram showing the seat being attached to the base. A dashed box highlights the connection point, with an arrow pointing to the hole in the seat. Labels A, D, and E indicate the location of the screws and washer.	STEP 5  Diagram showing the seat being attached to the base. A downward arrow indicates the direction of insertion.	STEP 6  Diagram showing the seat being attached to the base.
--	---	--