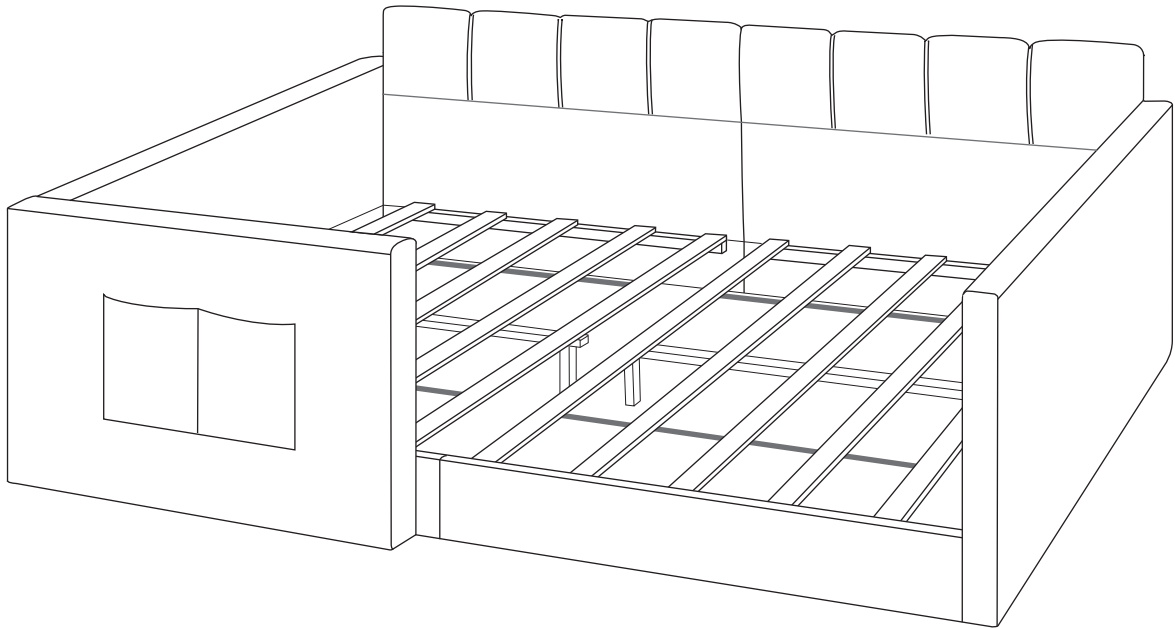


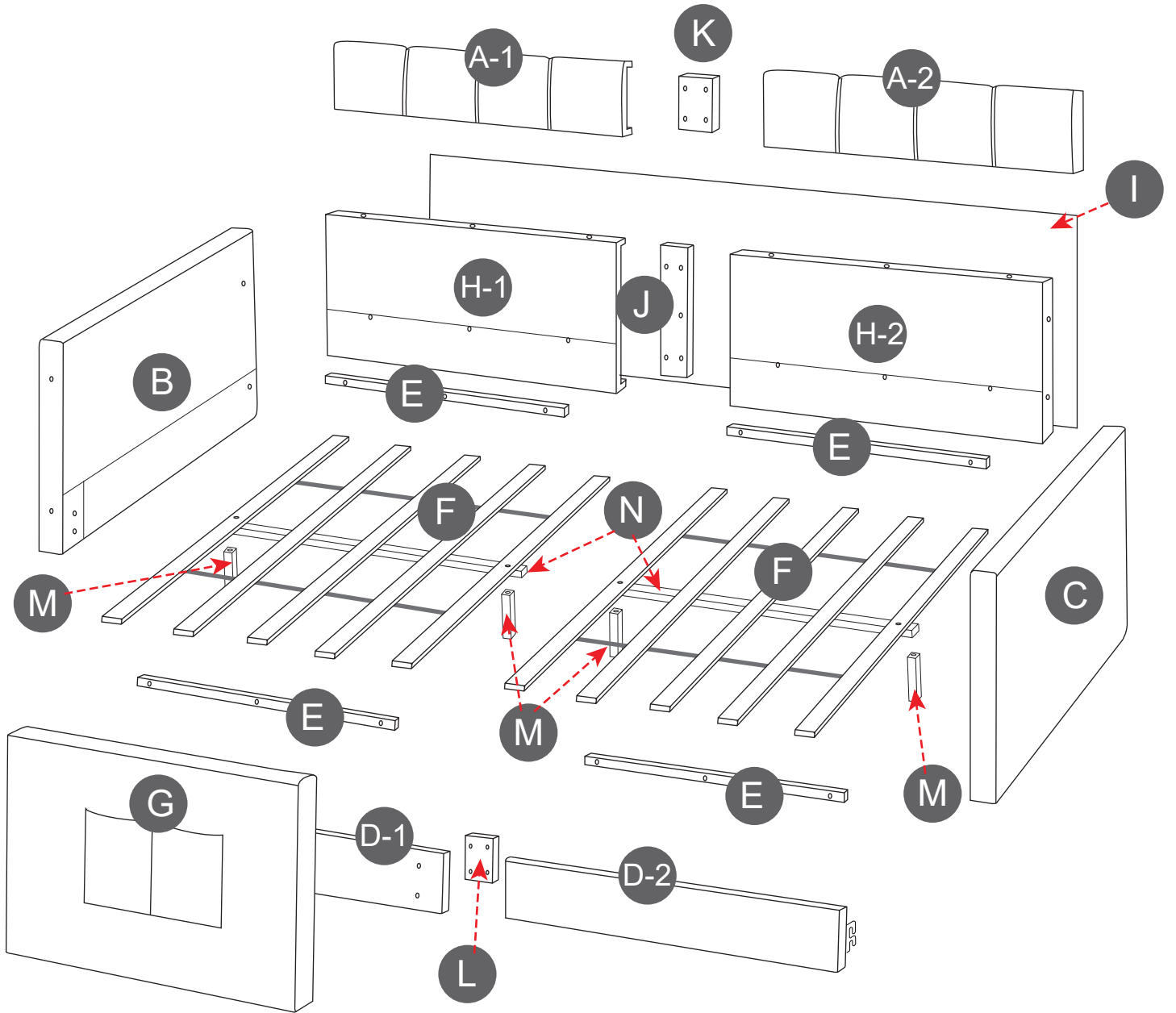
ASSEMBLY INSTRUCTION

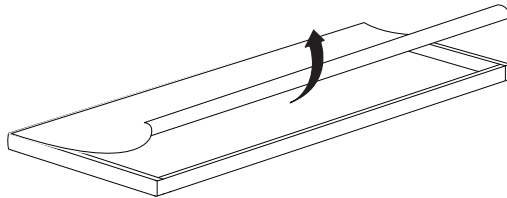
GD-LE01 (FULL)

N708P430682 / N708P430683

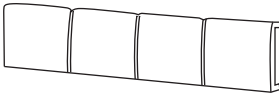
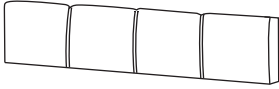
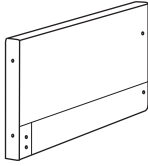
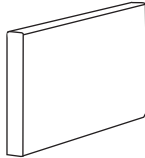
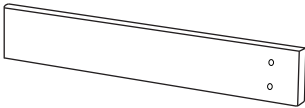
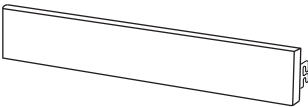
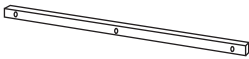
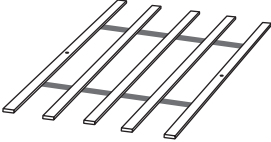



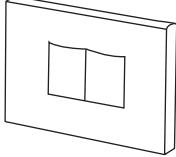
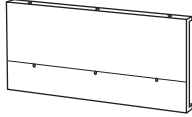
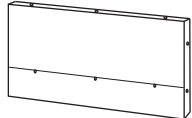
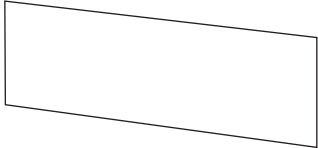




Detail View -





Bed parts are packed inside the compartment
at the back of the Headboard
(Parts: A-1, A-2, D-1, D-2, E, F, N)

NO.	PART LIST (BOX 1 OF 2) N708P430682		QTY
A-1	Side Rail (Upper)		1 pc
A-2	Side Rail (Upper)		1 pc
B	Headboard		1 pc
C	Footboard		1 pc
D-1	Side Rail		1 pc
D-2	Side Rail		1 pc
E	Side Rail Support		4 pcs
F	Bed Slat (1 set = 10pcs)		1 set
N	Center Support Rail		2 pcs

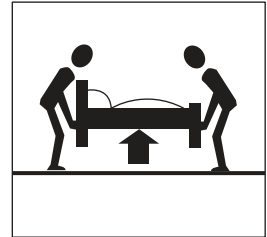
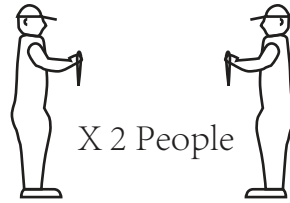
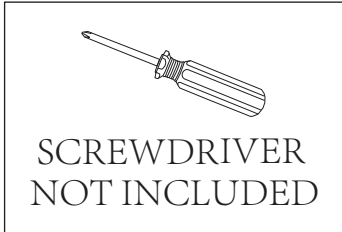
NO.	PART LIST (BOX 2 OF 2) N708P430683	QTY
G	Side Rail (Front Panel) 	1 pc
H-1	Side Rail (Lower) 	1 pc
H-2	Side Rail (Lower) 	1 pc
I	Fabric Cover (behind Side Rail) 	1 pc
J	Side Rail Support Panel (Lower) 	1 pc
K	Side Rail Support Panel (Upper) 	1 pc
L	Side Rail Support Panel 	1 pc
M	Center Support Leg 	4 pcs

NO	HARDWARE LIST (BOX 2 OF 2) N708P430683	QTY
1	JCBB M8 x 25mm 	4 pcs
2	JCBC M6 x 30mm 	20 pcs
3	JCBC M6 x 35mm 	12 pcs
4	JCBC M6 x 40mm 	8 pcs
5	Flat Washer M6 	28 pcs
6	CSK M4 x 30mm 	20 pcs
7	Allen Key M4 	1 pc
8	Allen Key M5 	1 pc
9	JCBB M8 x 70mm 	4 pcs
10	Barrel nut (M8) 	4 pcs

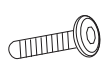
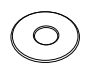
Read this instruction carefully. Remove all wrapping material, staples and straps from the carton. See hardware and furniture part list for guidance. Be sure you have all wooden furniture parts on a clean and flat surface, such as carpet or rug, to prevent from being scratched.

CAUTION :

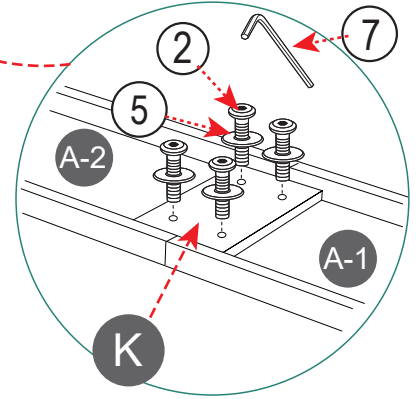
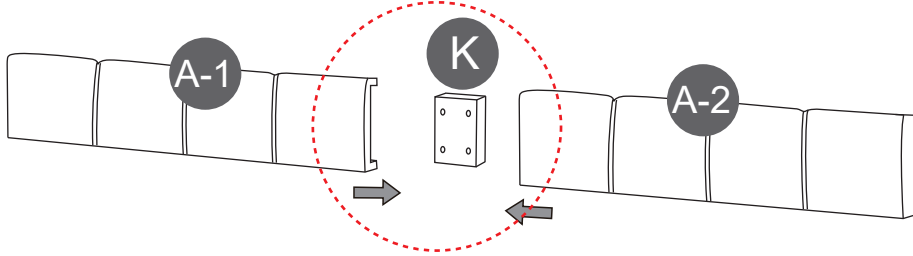
1. Do not Full Tighten the nut or screw until all ready to assemble.
2. Do not Over Tighten the nut or screw to avoid causing damages to the thread.
3. Keep all hardware part out reach of children.



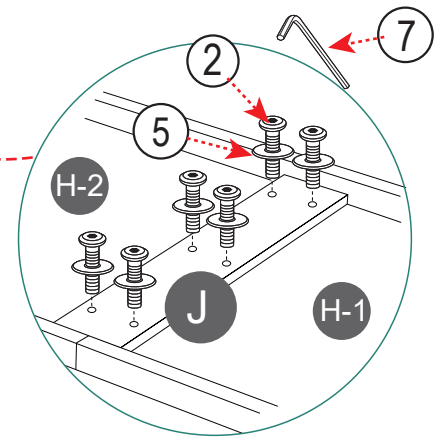
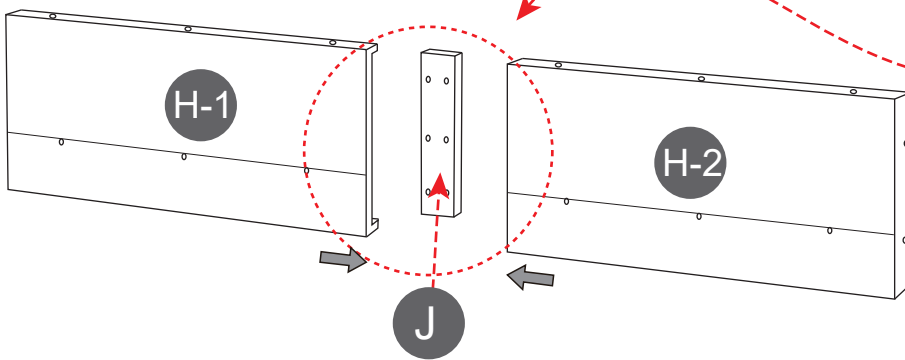
STEP 1

2	5
	
14 pcs	14 pcs

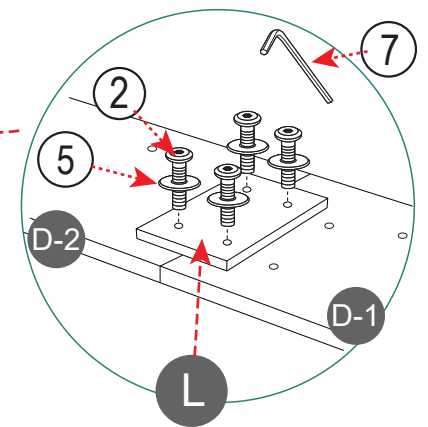
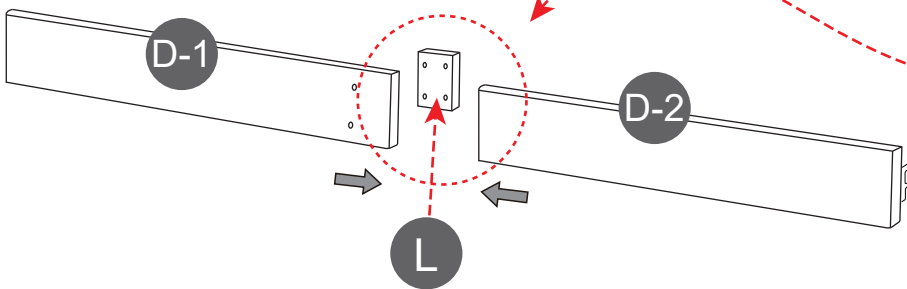
STEP 1.1



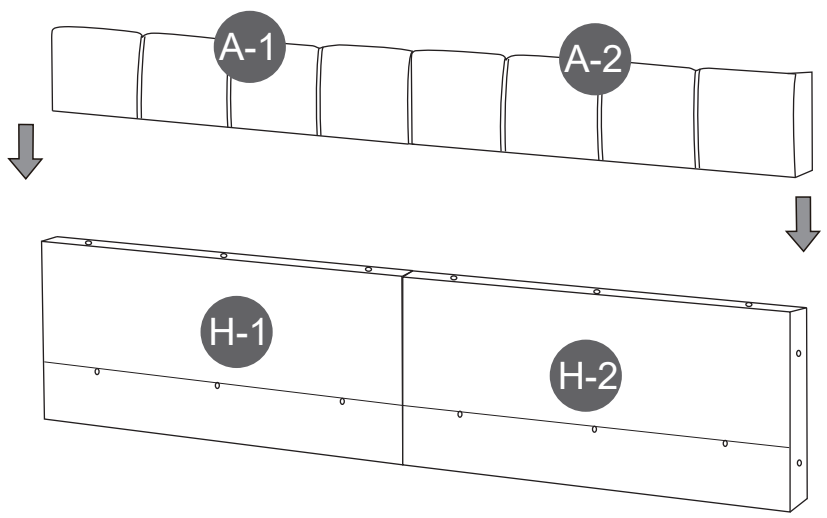
STEP 1.2

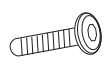
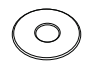


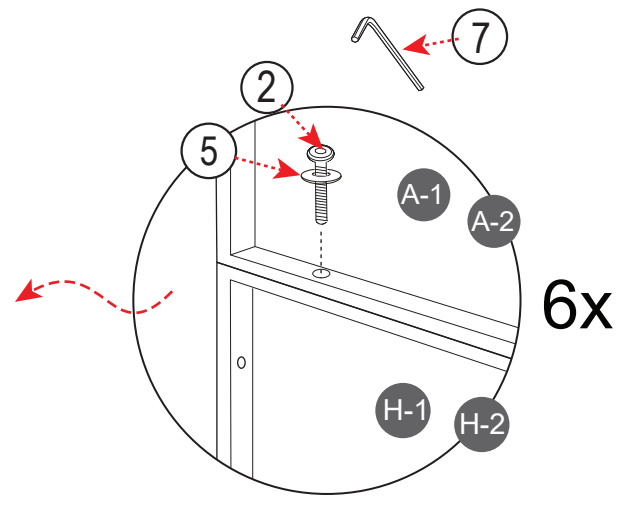
STEP 1.3



STEP 2

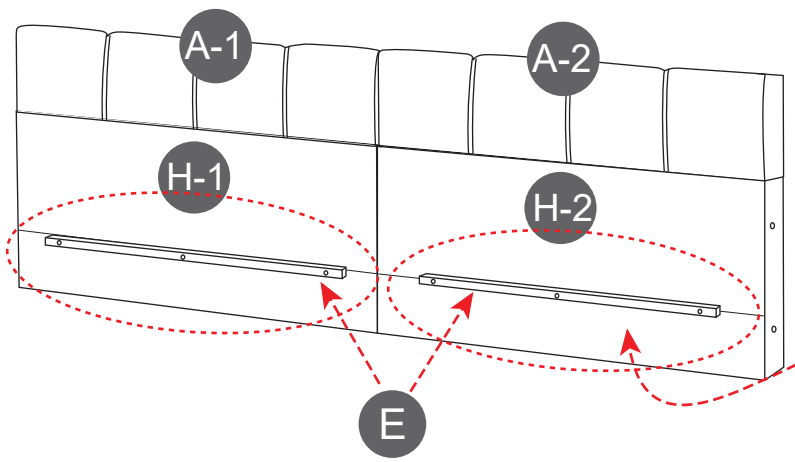


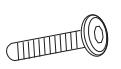
2	5
	
6 pcs	6 pcs

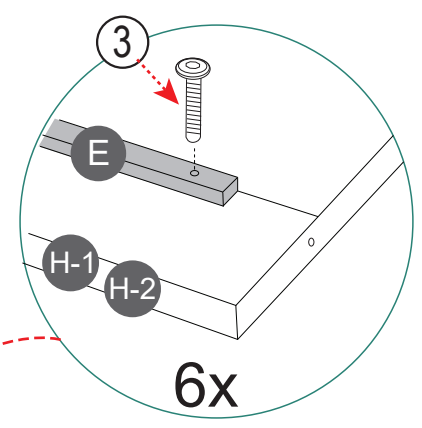


STEP 3

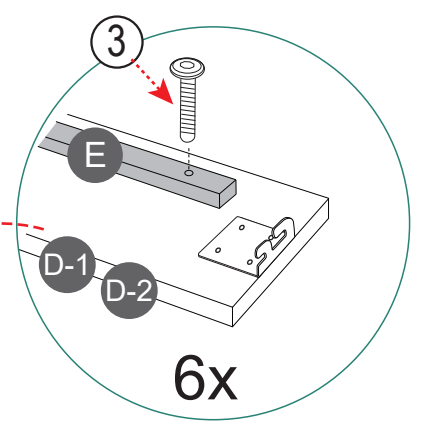
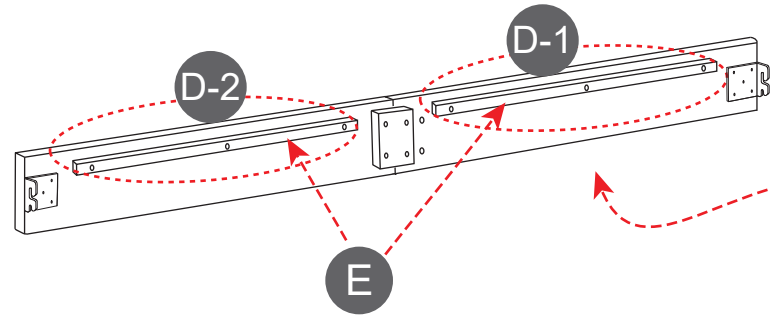
STEP 3.1



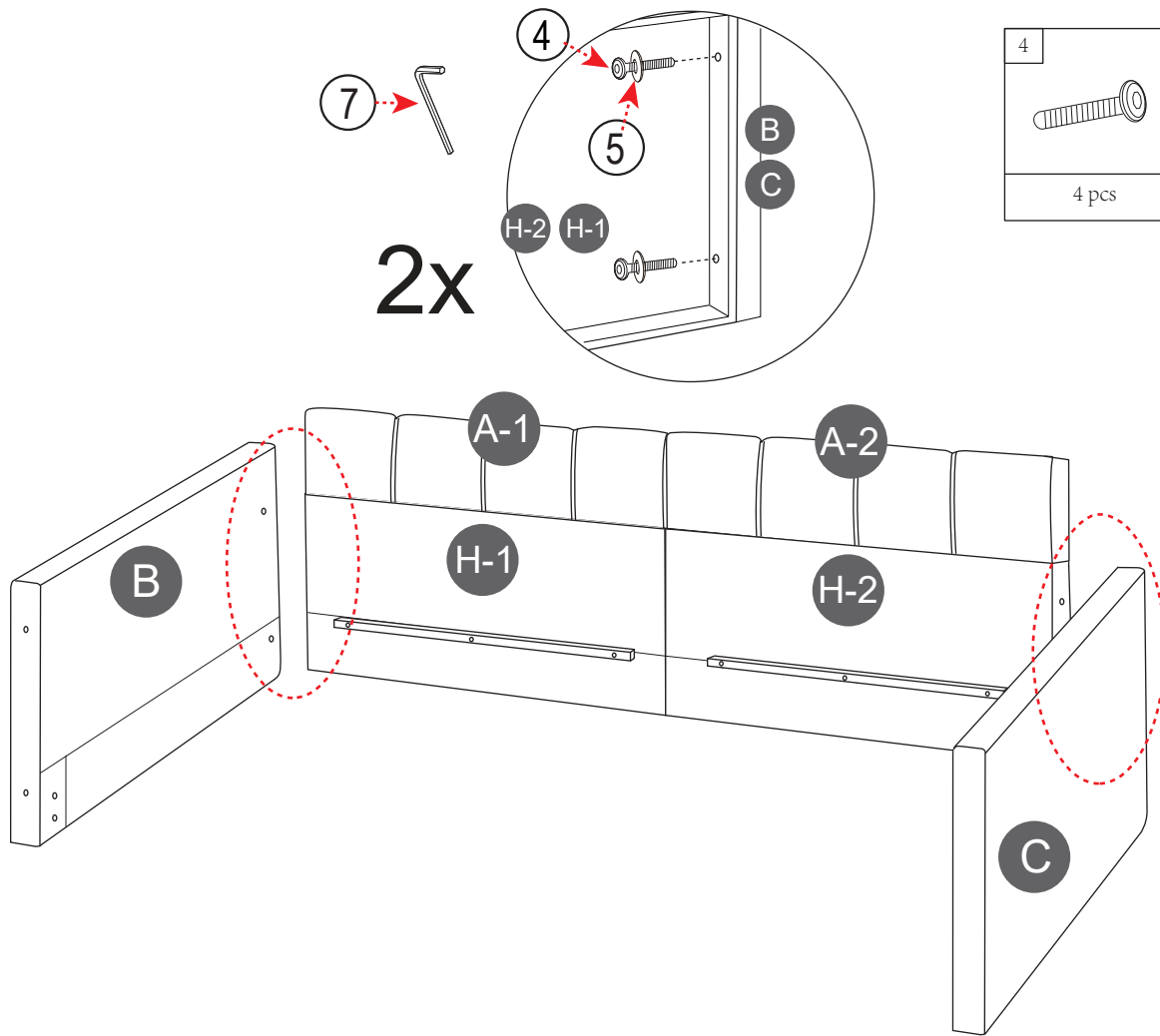
3

12 pcs



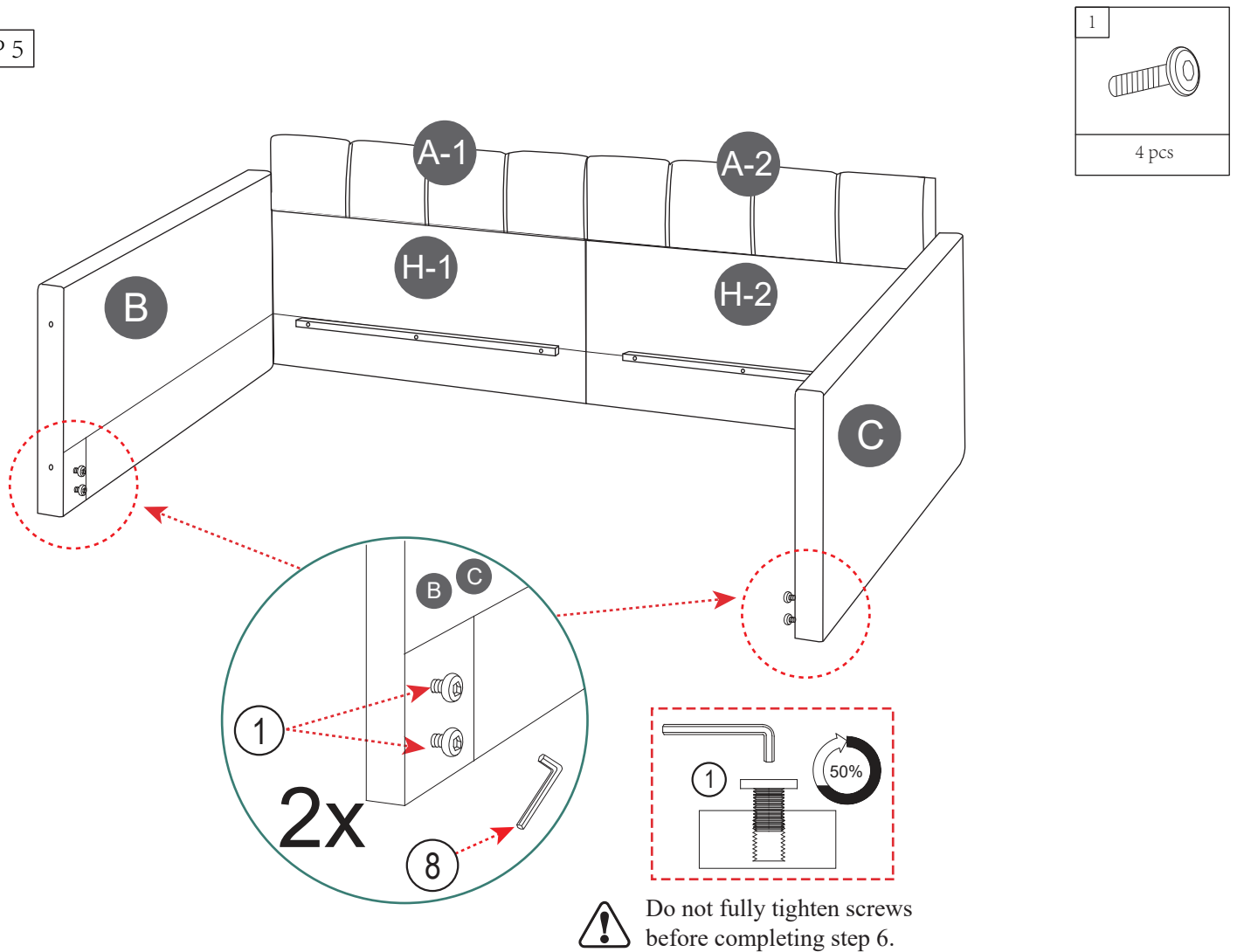
STEP 3.2



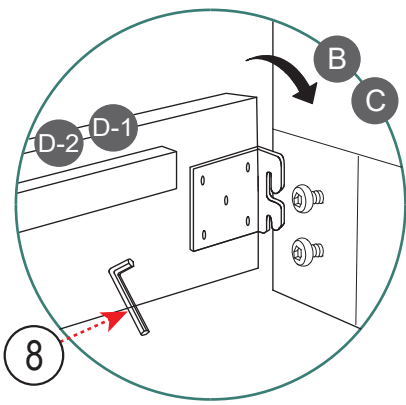
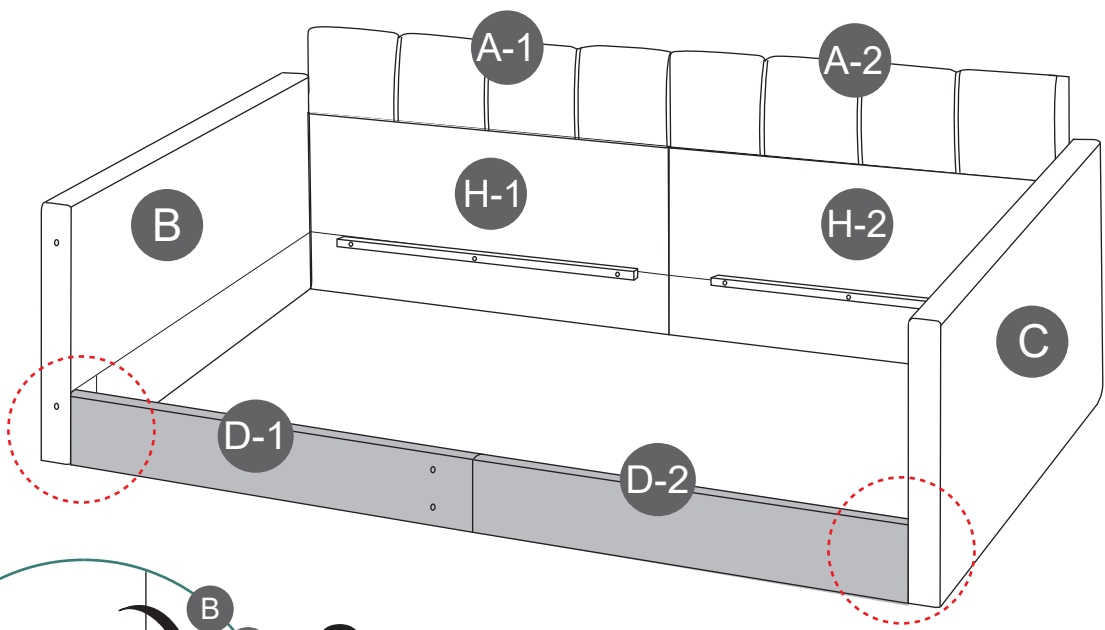
STEP 4



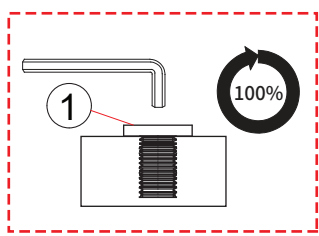
STEP 5



STEP 6

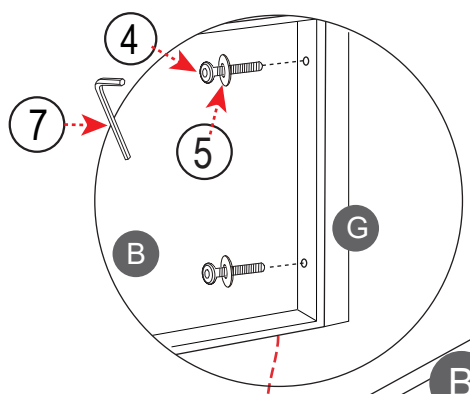


2x

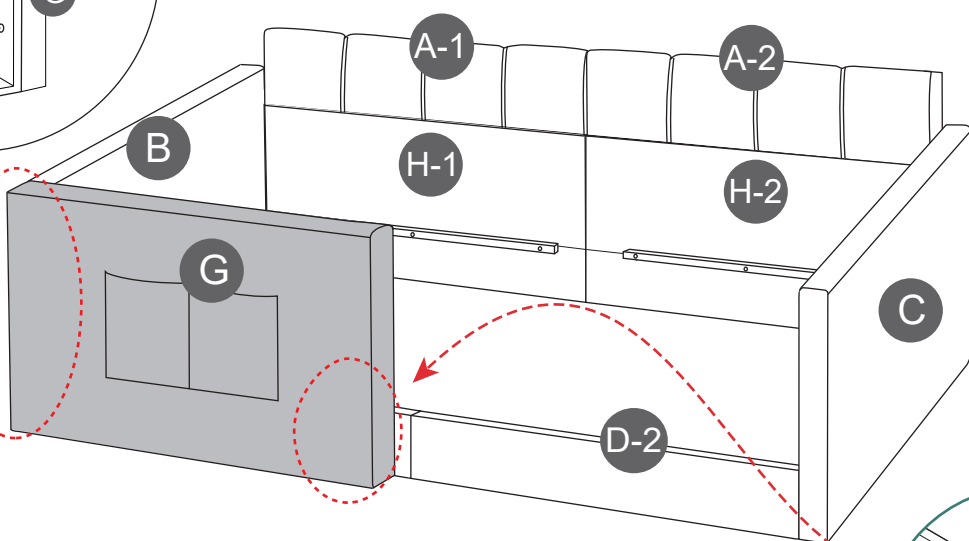


STEP 7

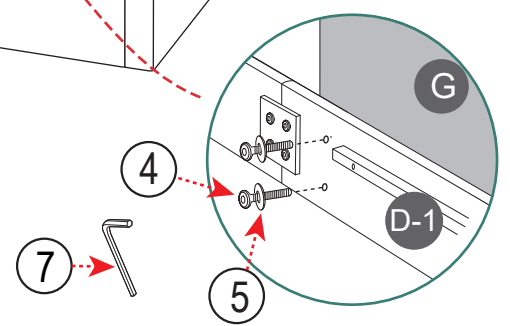
STEP 7.1



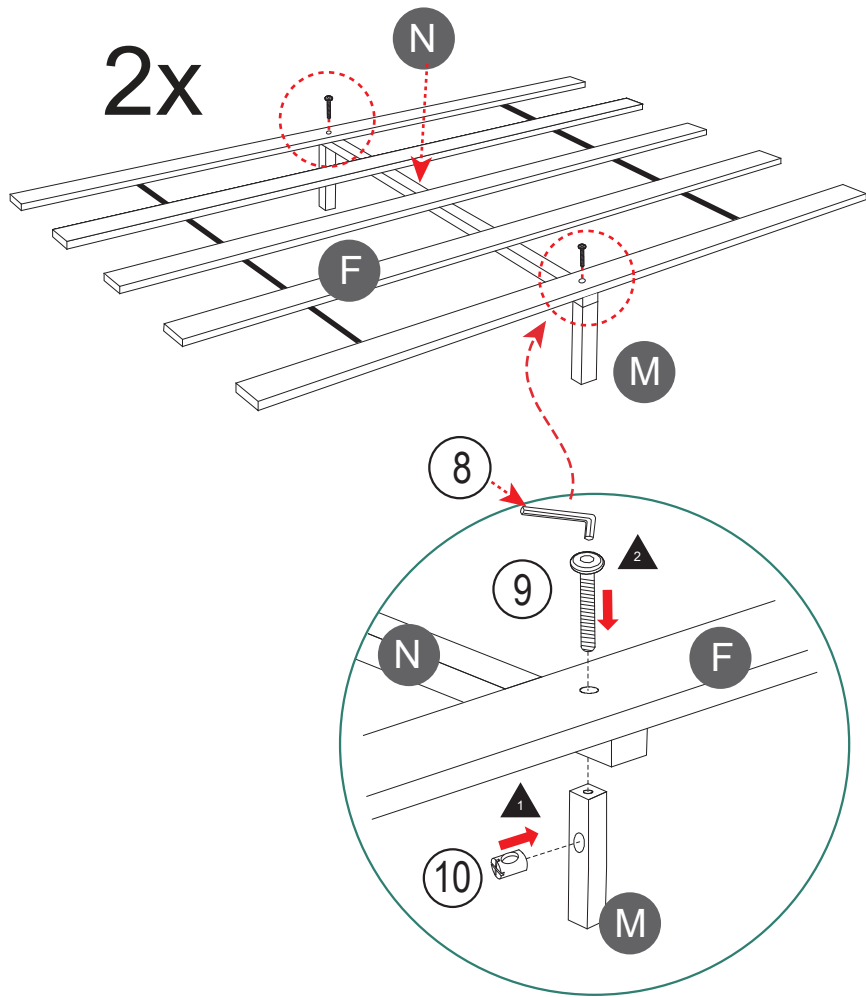
4	5
4 pcs	4 pcs

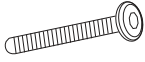



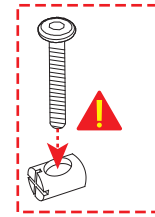
STEP 7.2



STEP 8

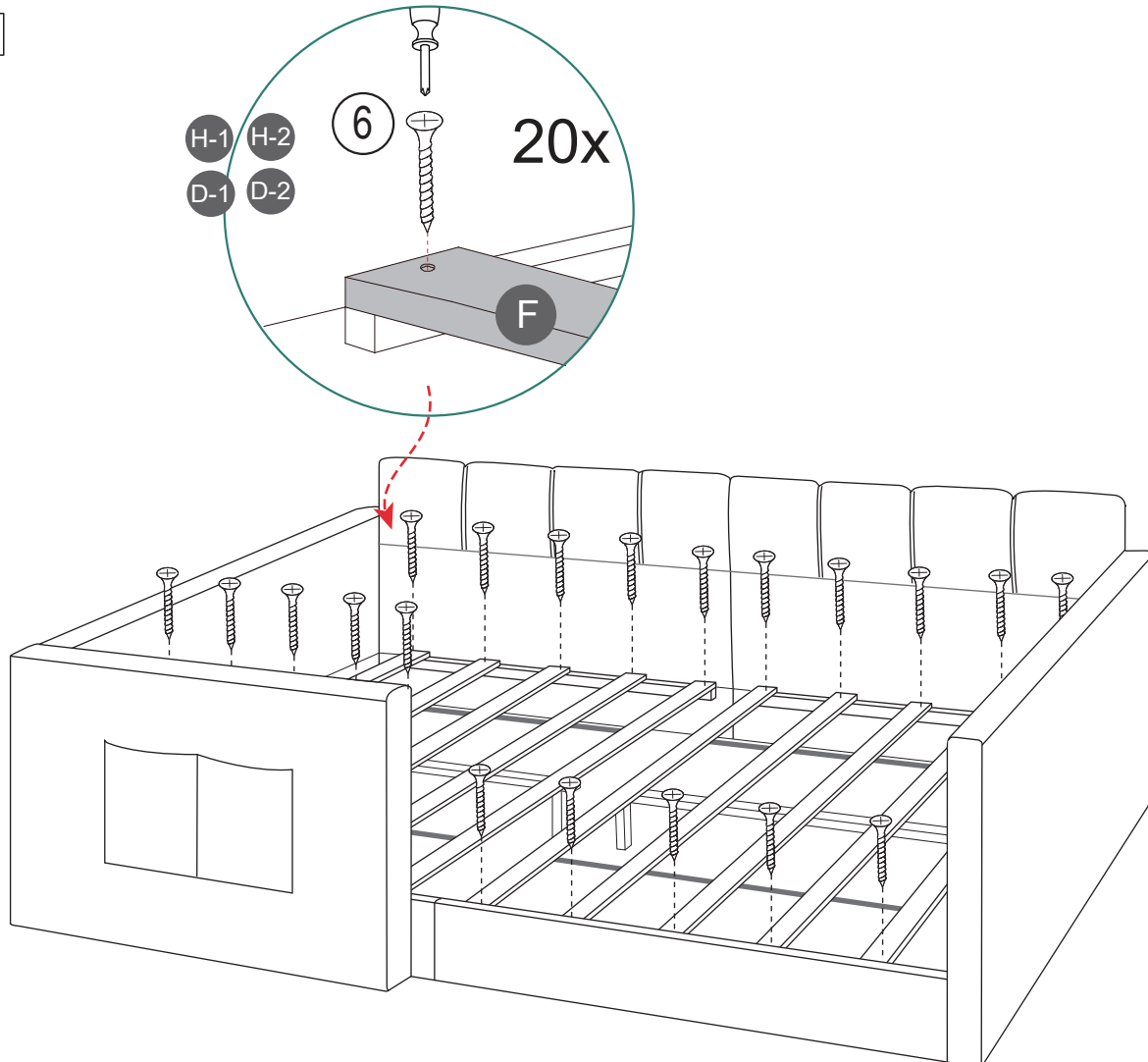


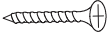
9	10
	
4 pcs	4 pcs



Note:
Pay attention to the orientation
of the hole in accessory 10.

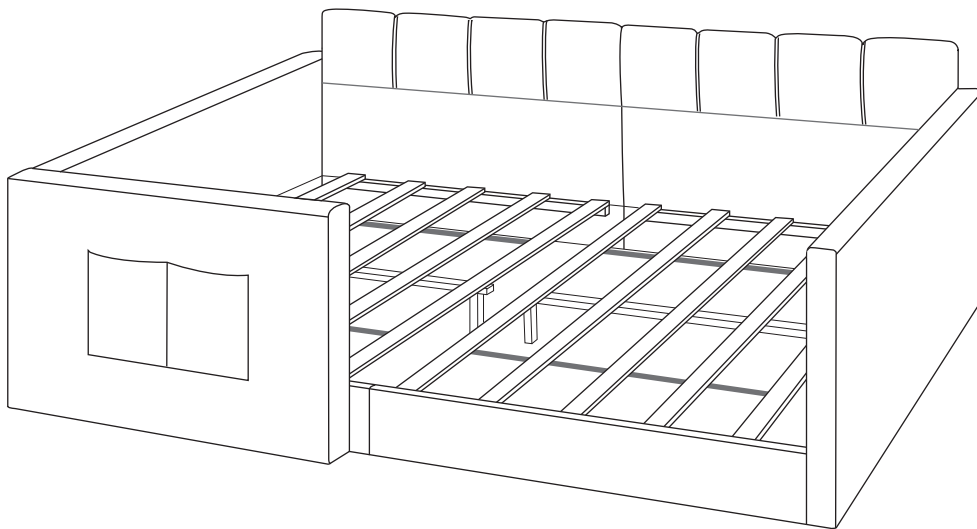
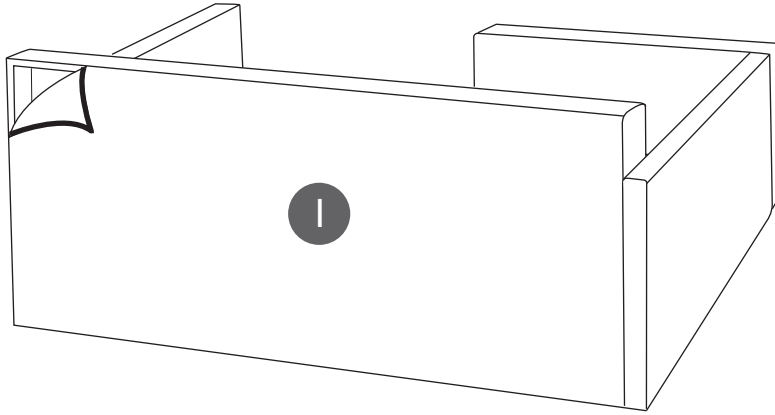
STEP 9



6

20 pcs

STEP 10

As a final step, attach the fabric cover behind the side rail.



COMPLETED
ASSEMBLY