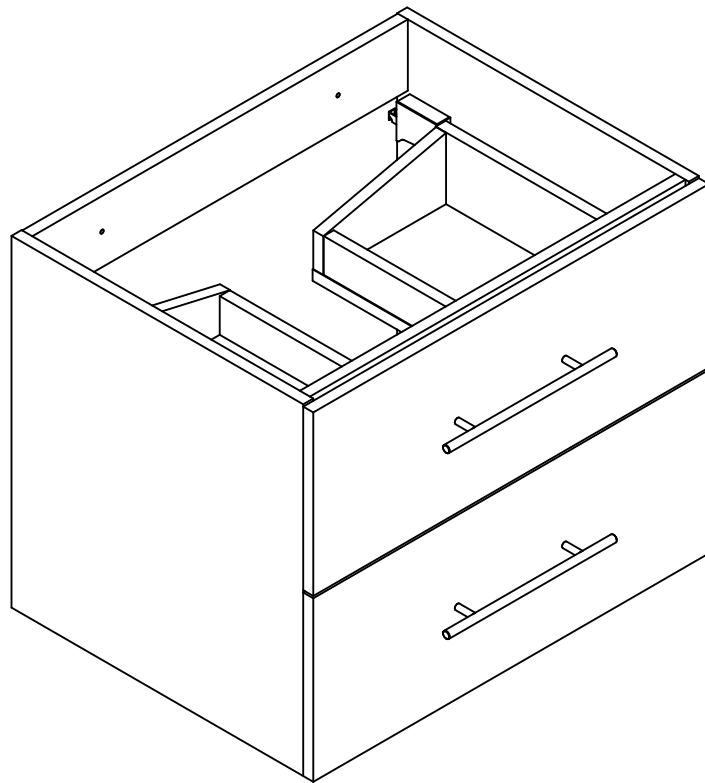



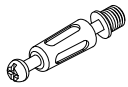
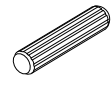
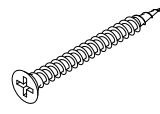
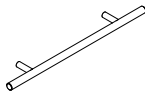

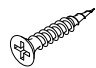
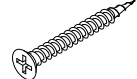
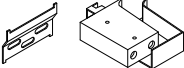


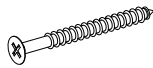
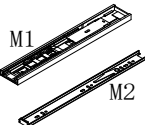
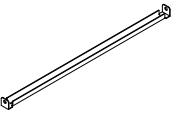
# HN194-60

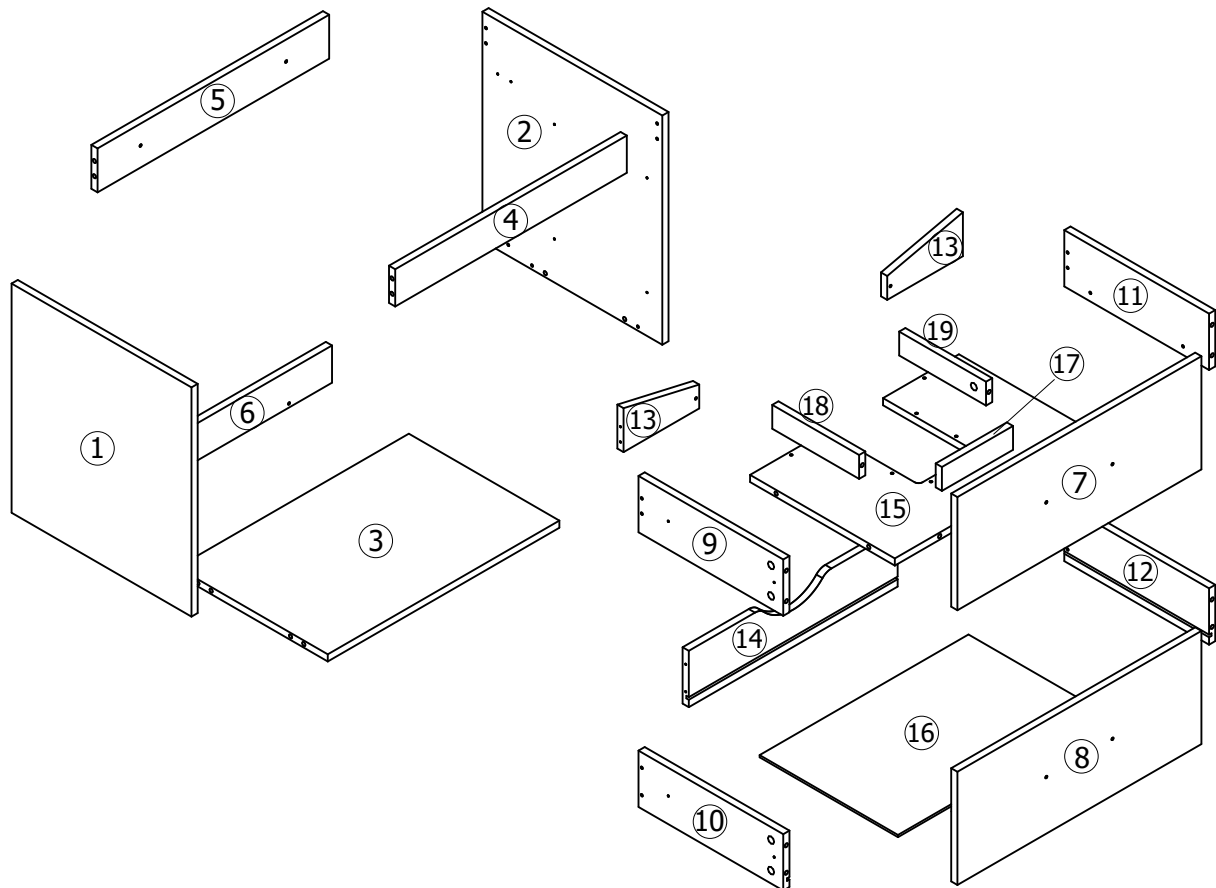
---

## Assembly Instructions



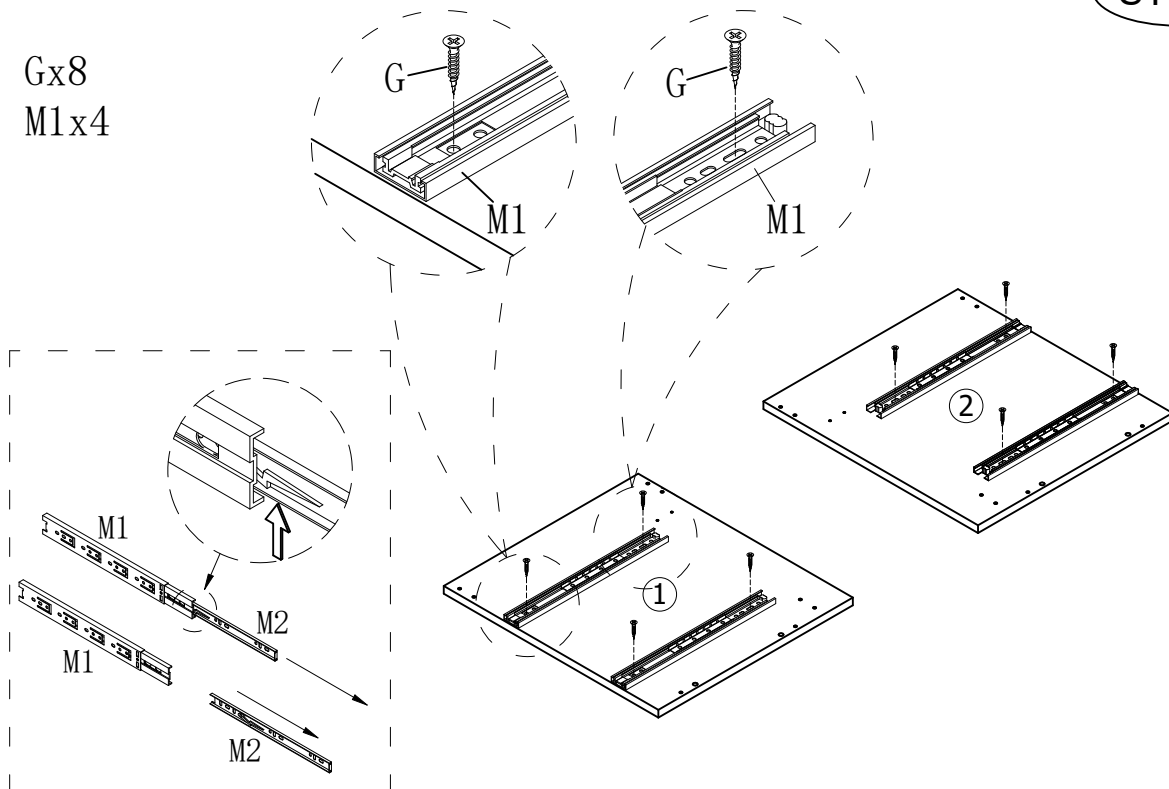
# Assembly Instructions

|   |   |   |   |
|---|---|---|---|
| <p>Ø15x11</p>  <p>A x 34</p> | <p>Ø7x35</p>  <p>B x 34</p>  | <p>Ø8x30</p>  <p>C x 4</p>    | <p>Ø4x40</p>  <p>D x 18</p>  |
|  <p>E x 2</p>                | <p>M4x20</p>  <p>F x 4</p>   | <p>Ø3.5x14</p>  <p>G x 18</p> | <p>Ø3.5x30</p>  <p>H x 4</p> |
|  <p>I x 2</p>                | <p>Ø7.8x38</p>  <p>J x 8</p> | <p>Ø5x50</p>  <p>K x 6</p>    | <p>Ø5x70</p>  <p>L x 2</p>   |
| <p>14"</p>  <p>M x 4</p>    | <p>334mm</p>  <p>N x 1</p> |   |   |



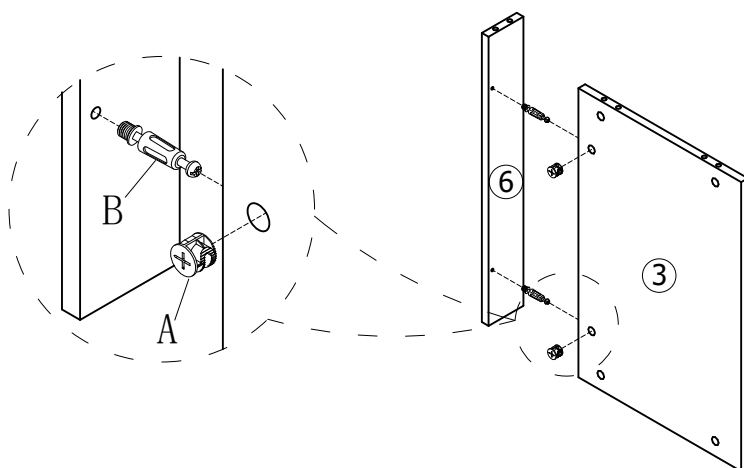
STEP 1

Gx8  
M1x4



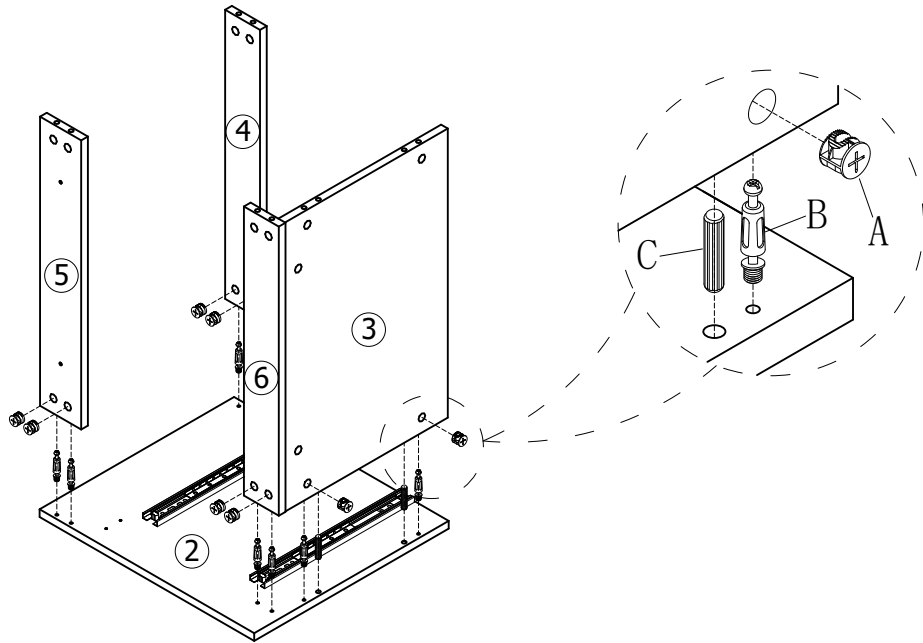
STEP 2

Ax2  
Bx2



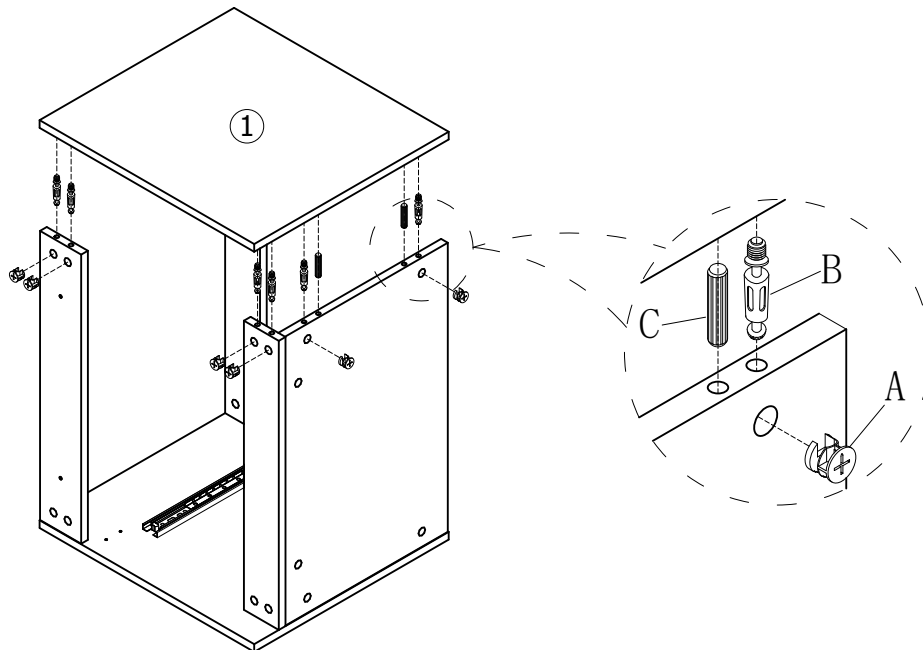
STEP 3

Ax8  
Bx8  
Cx2



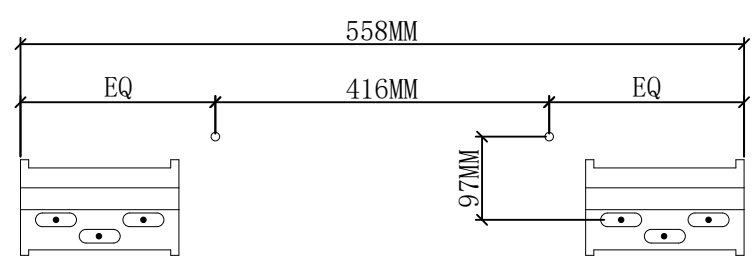
STEP 4

Ax8  
Bx8  
Cx2



STEP 5

- Hx4
- Ix2
- Jx8
- Kx6
- Lx2



1.

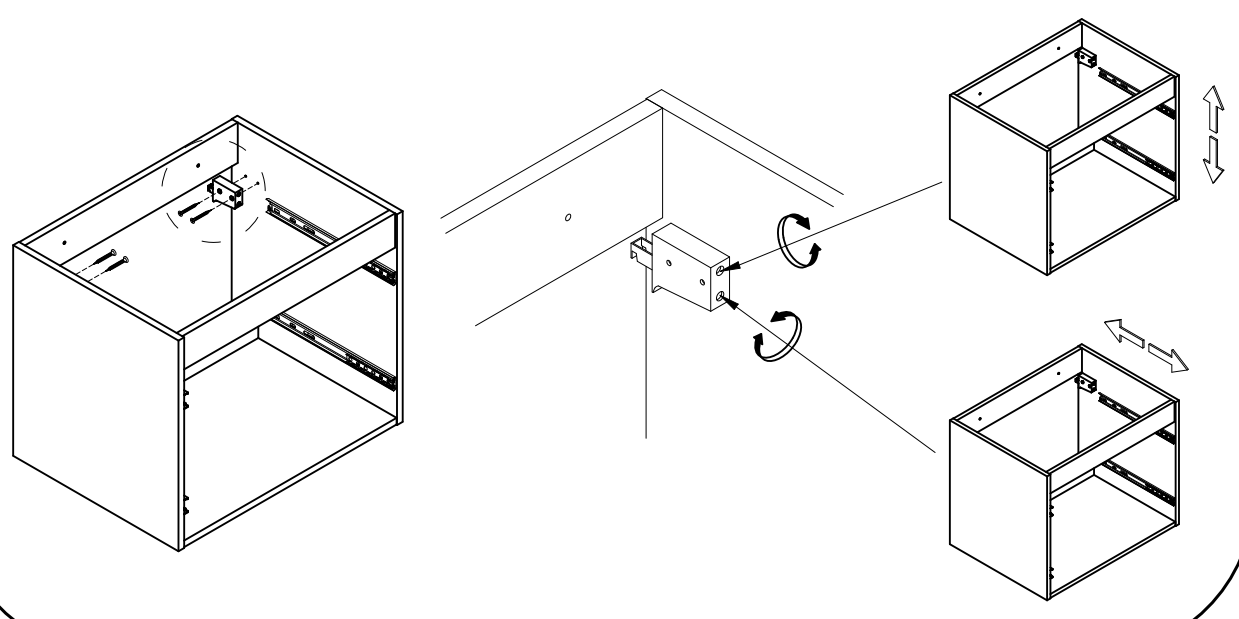
2.

3.

4.

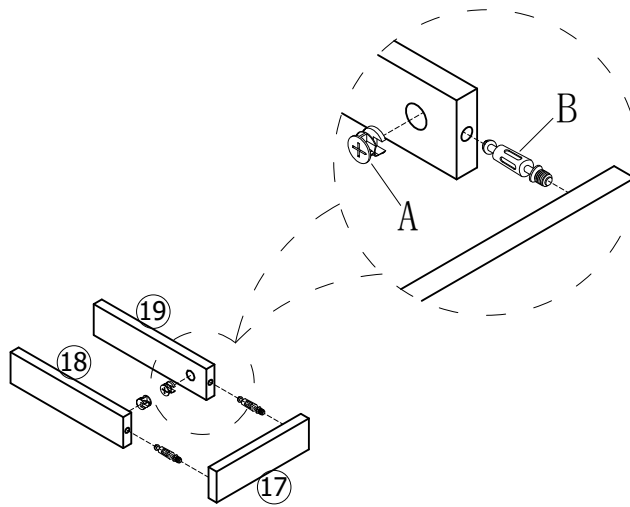
5.

6.



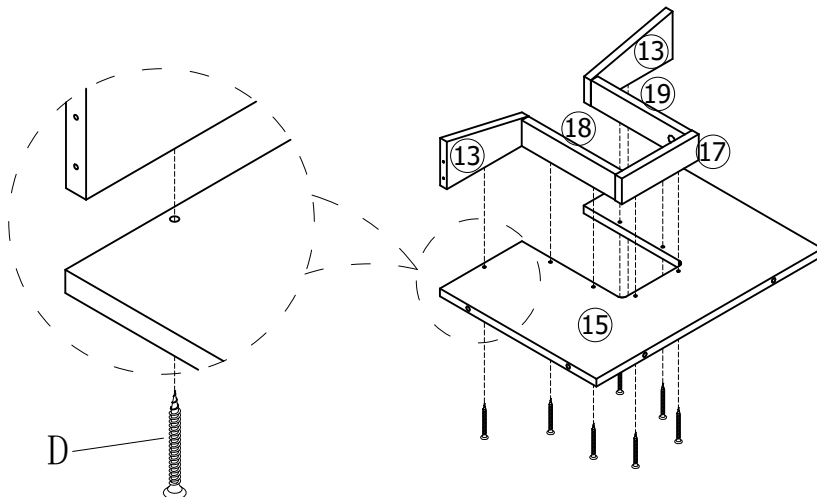
STEP 6

Ax2  
Bx2



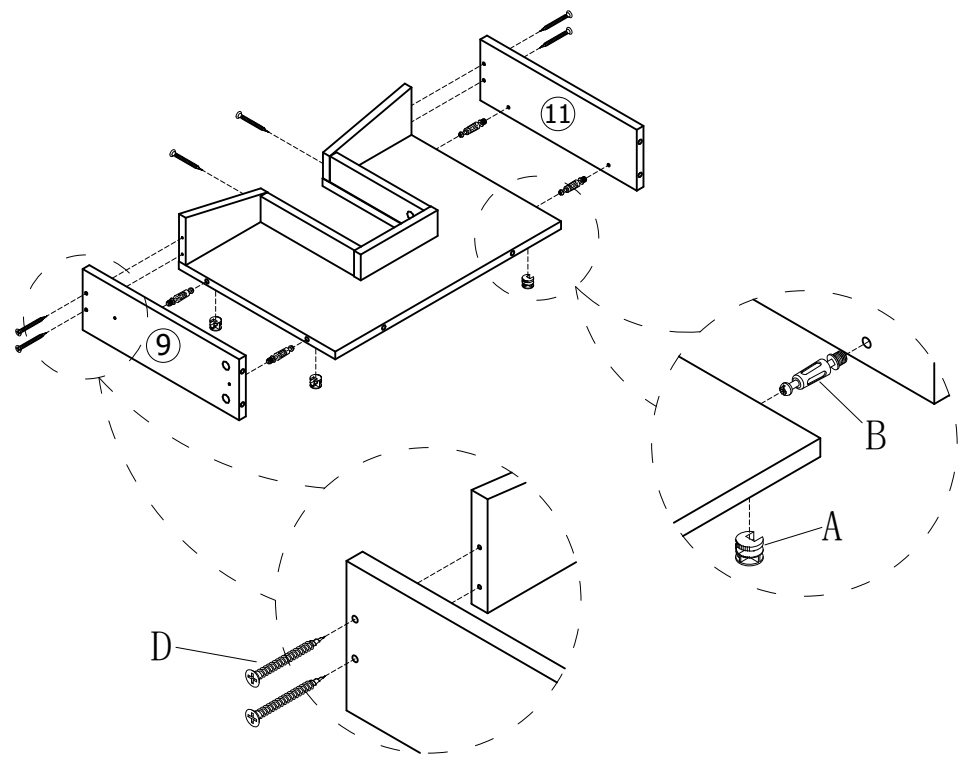
STEP 7

Dx8



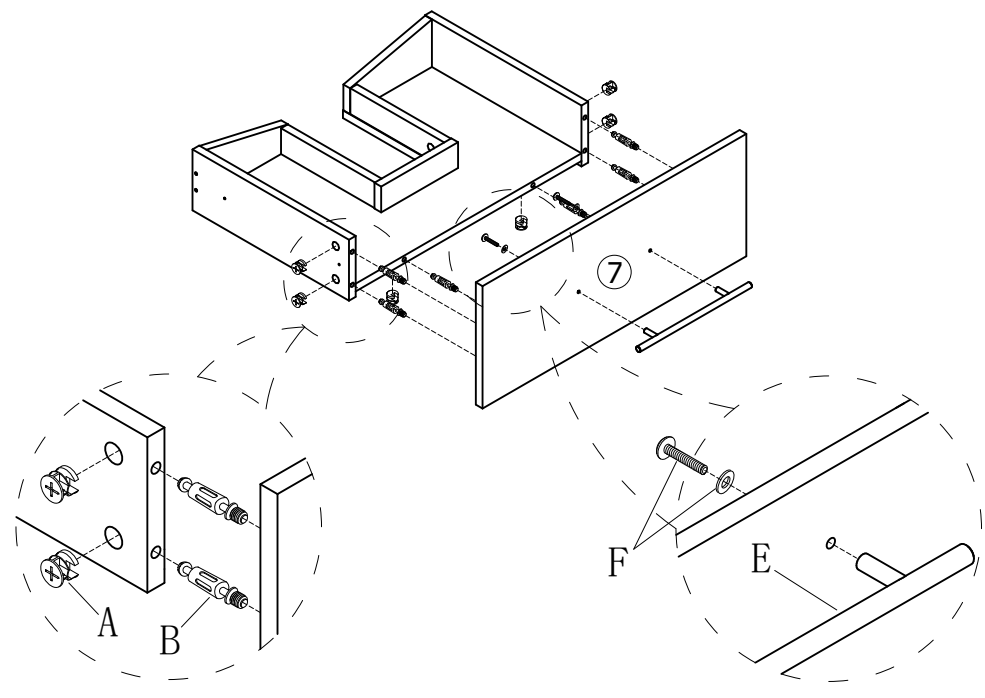
STEP 8

Ax4  
Bx4  
Dx6



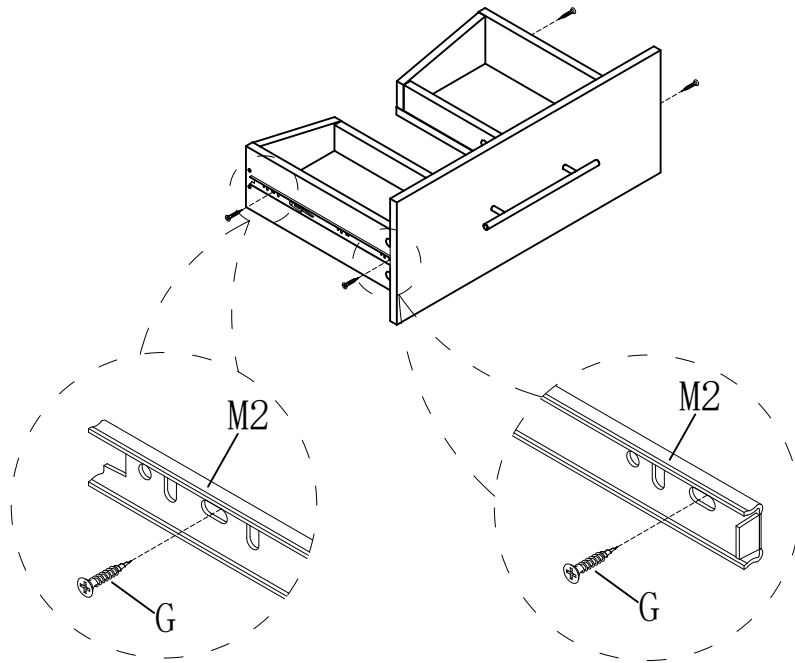
STEP 9

Ax6  
Bx6  
Ex1  
Fx2



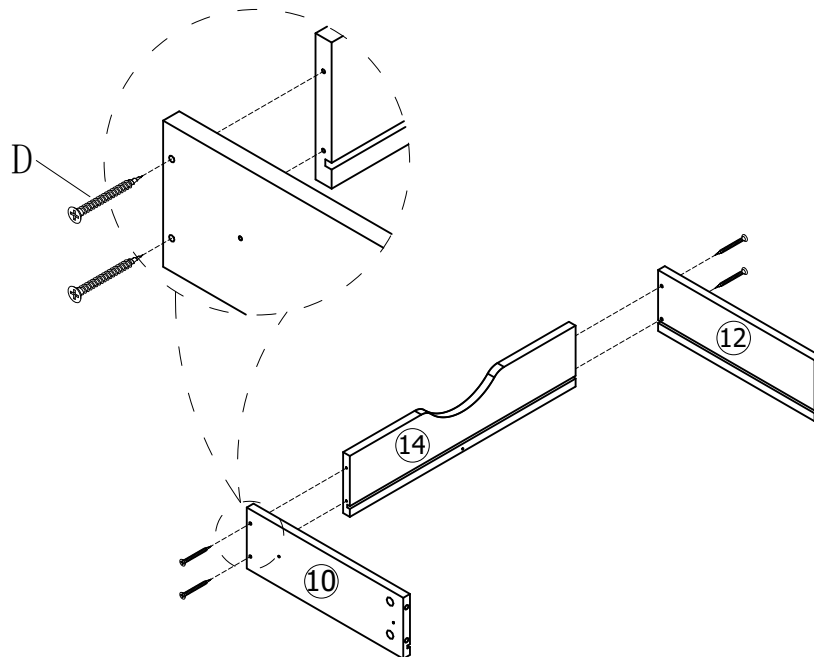
STEP 10

Gx4  
M2x2

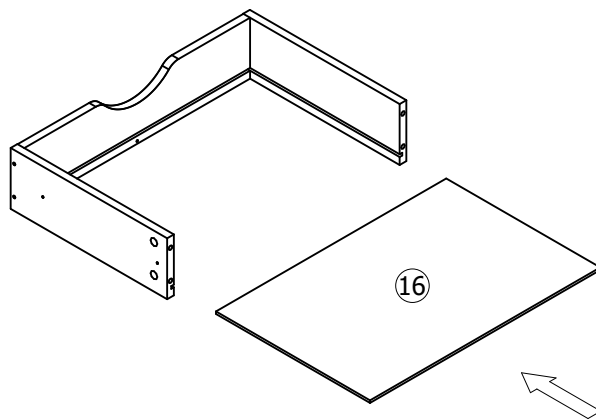


STEP 11

Dx4

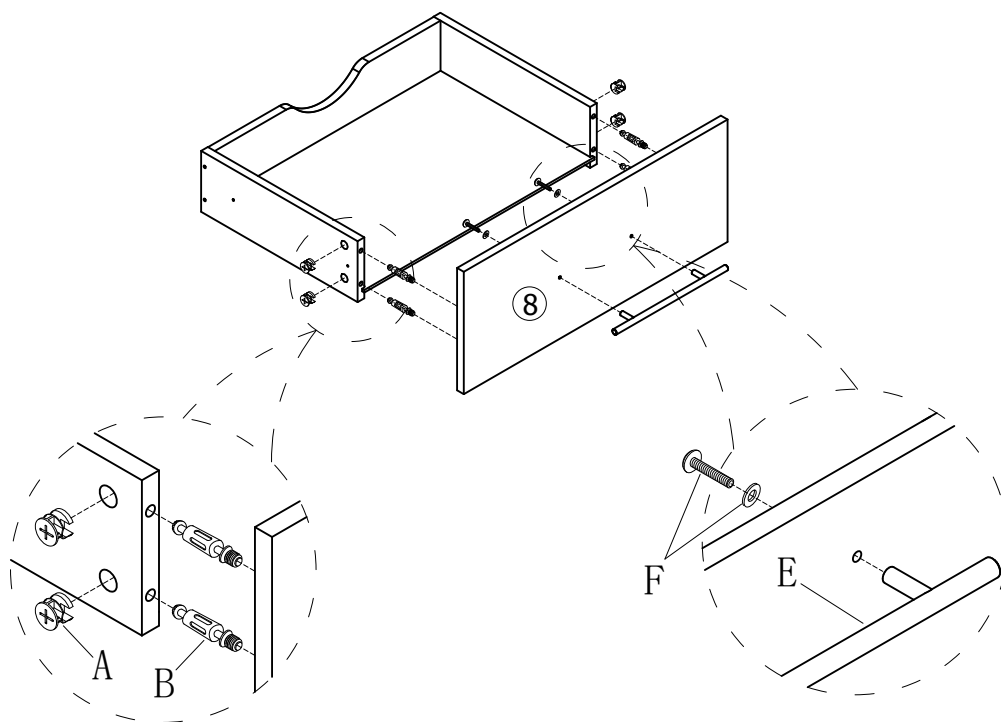


STEP 12



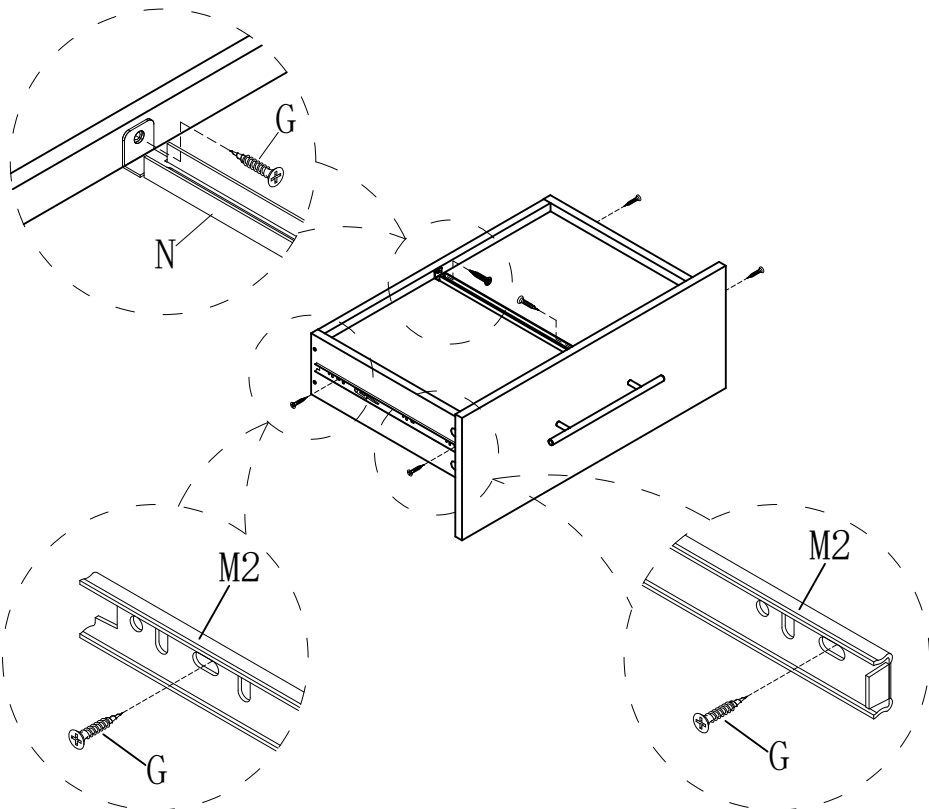
STEP 13

- Ax4
- Bx4
- Ex1
- Fx2

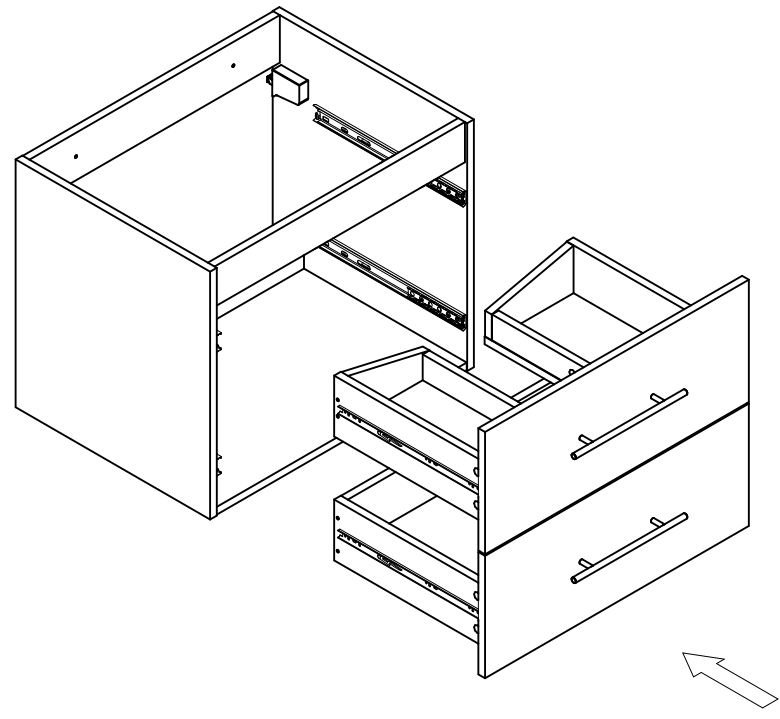


STEP 14

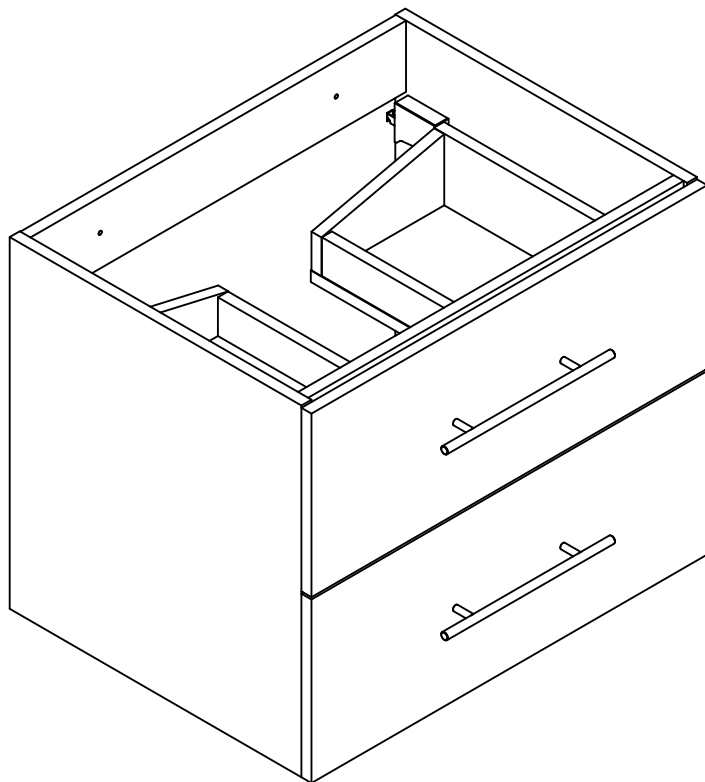
Gx6  
M2x2  
Nx1



STEP 15



STEP 16



FINISH