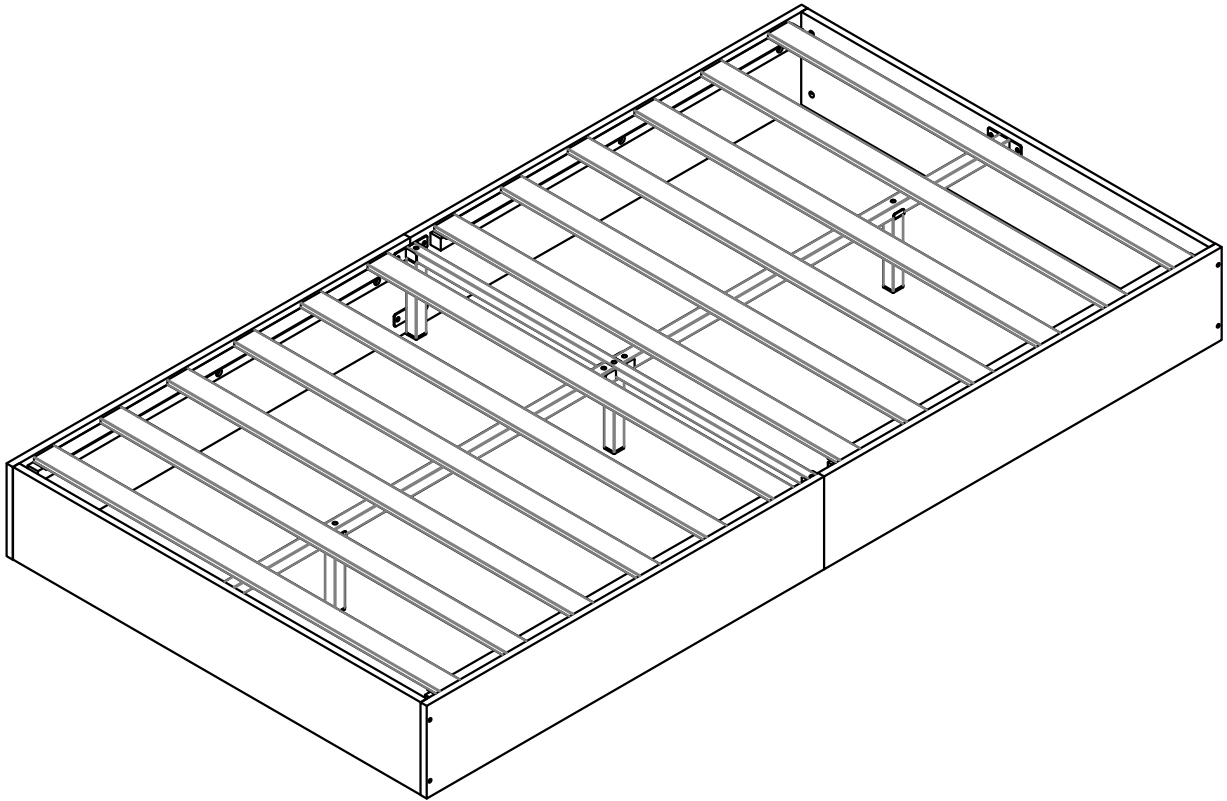


Installation Manual



Trouble shooting:

Missing / Wrong / Broken parts and installation issues



Respond within 24 hours

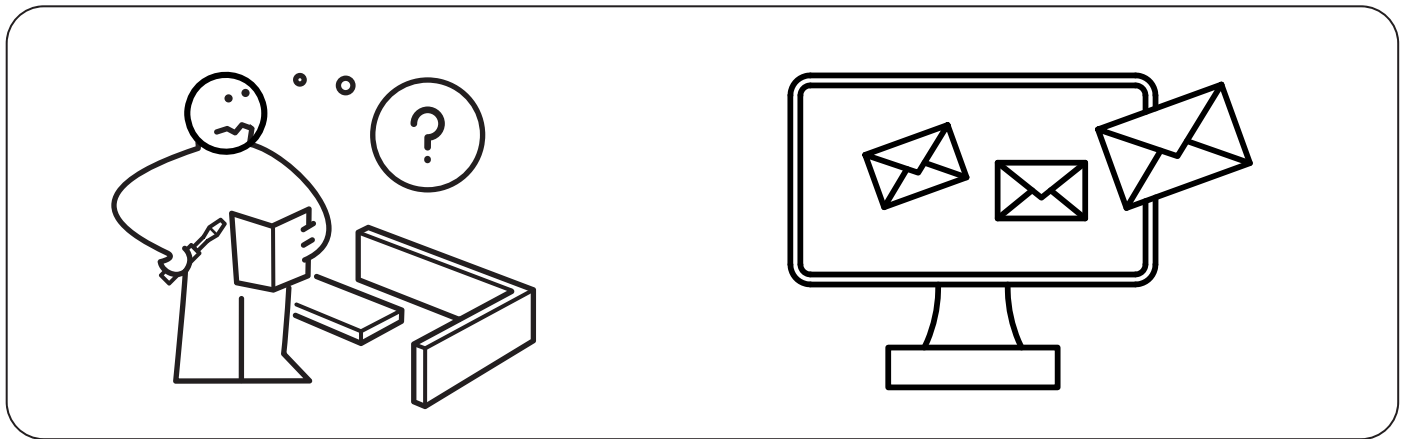
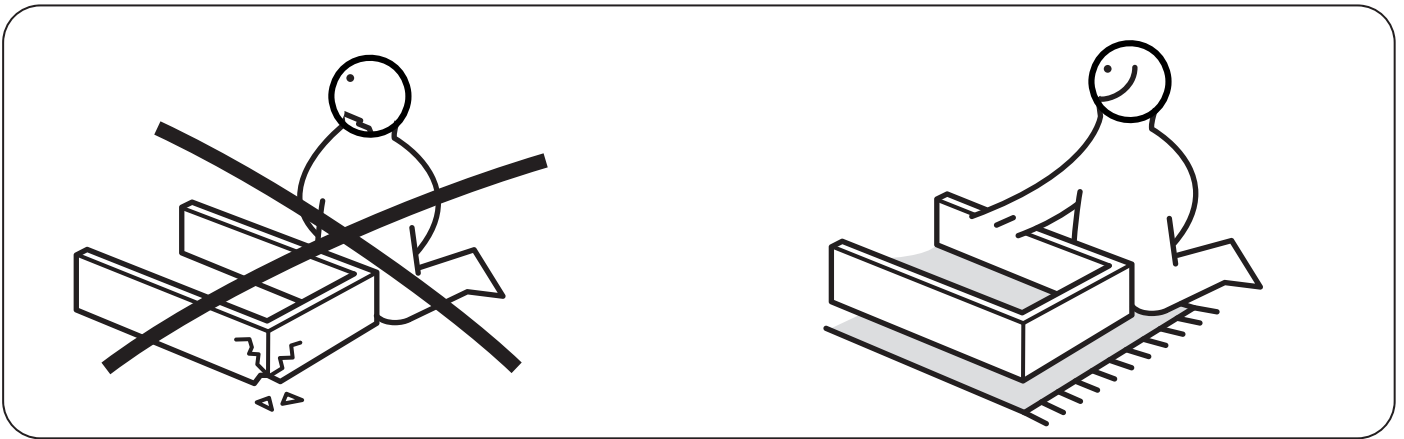
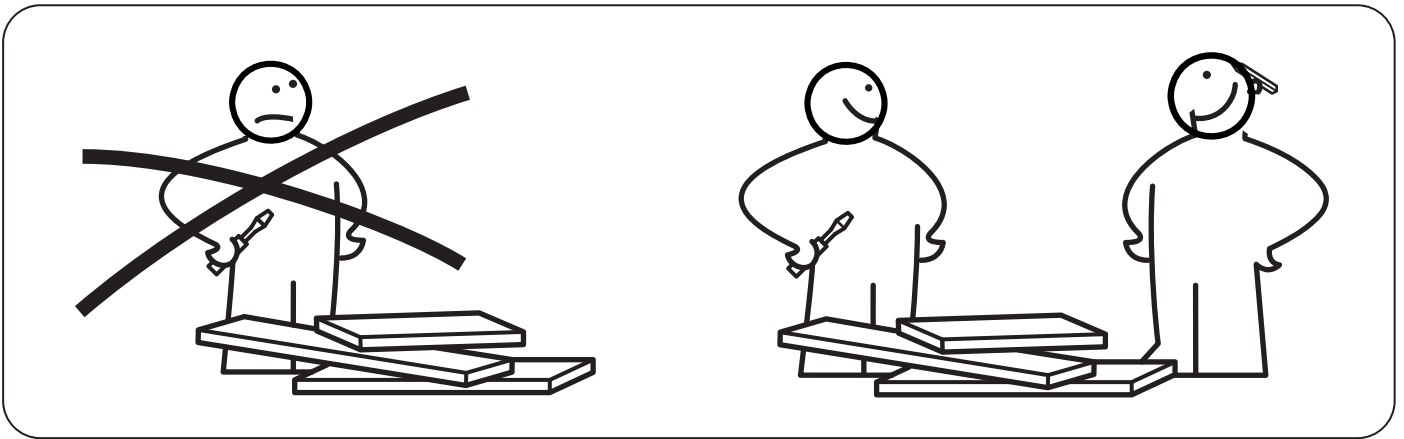


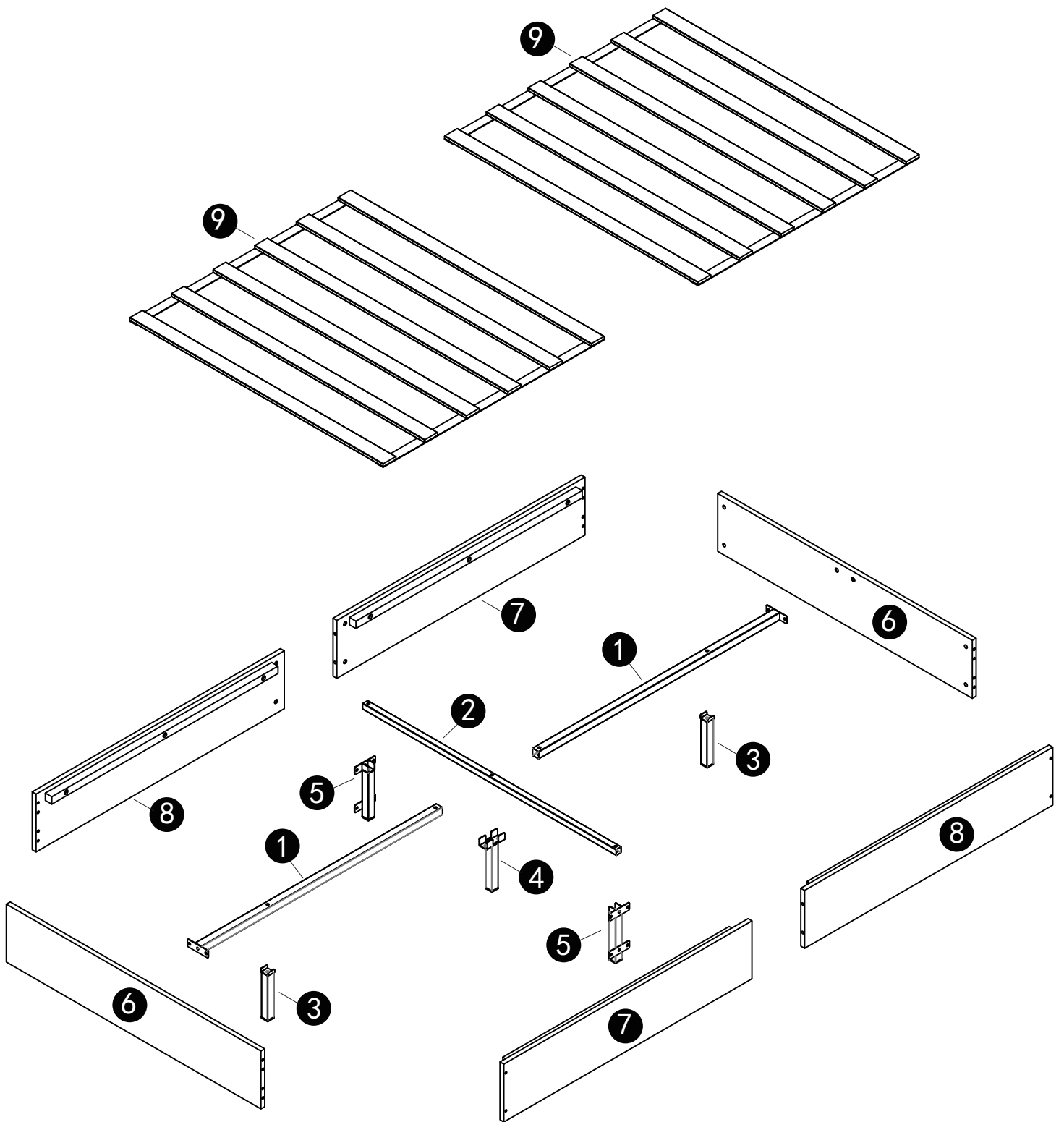
Issue resolved

Hello, dear buyer.

The assembly of this product can be quite intricate, so please follow the steps below patiently. I will assist you in completing the installation step by step:

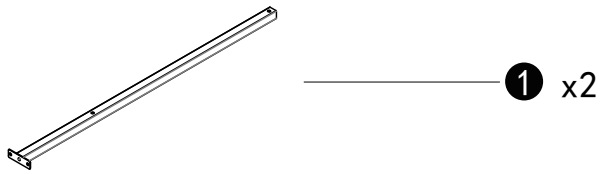
- 1、 First, check the parts according to the parts section in the instruction manual. If there are any missing components, please contact us in a timely manner.
- 2、 Begin the installation, and make sure to follow each step rigorously and pay attention to the descriptions provided in the text.
- 3、 When installing the track section, please pay special attention to the position and direction of the track. If you have any questions or concerns, please contact us promptly.(If it is a product without the track,please disregard this step)
- 4、 Once you have completed the installation, you will have a very sturdy and durable item.



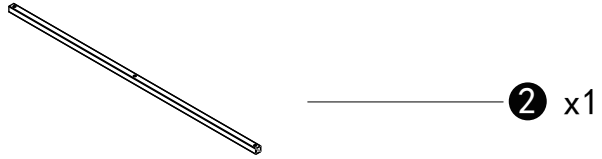


Note: Don't tighten all screws during installation.

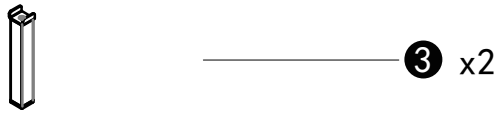
Componets



① x2



② x1



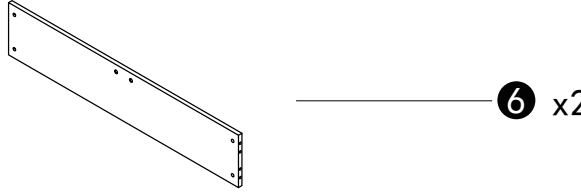
③ x2



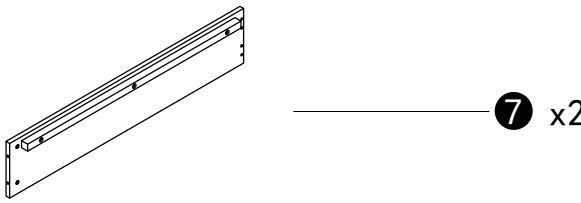
④ x1



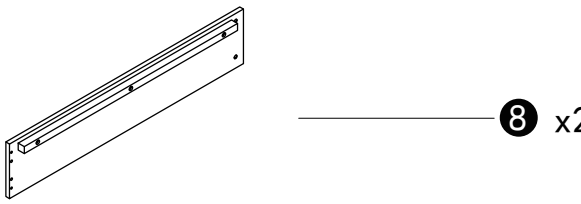
⑤ x2



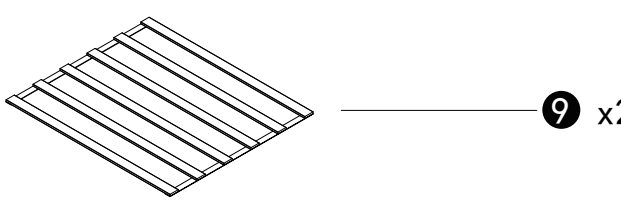
⑥ x2



⑦ x2


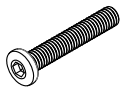
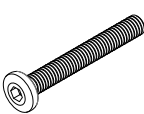
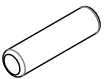

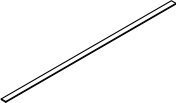
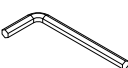


⑧ x2



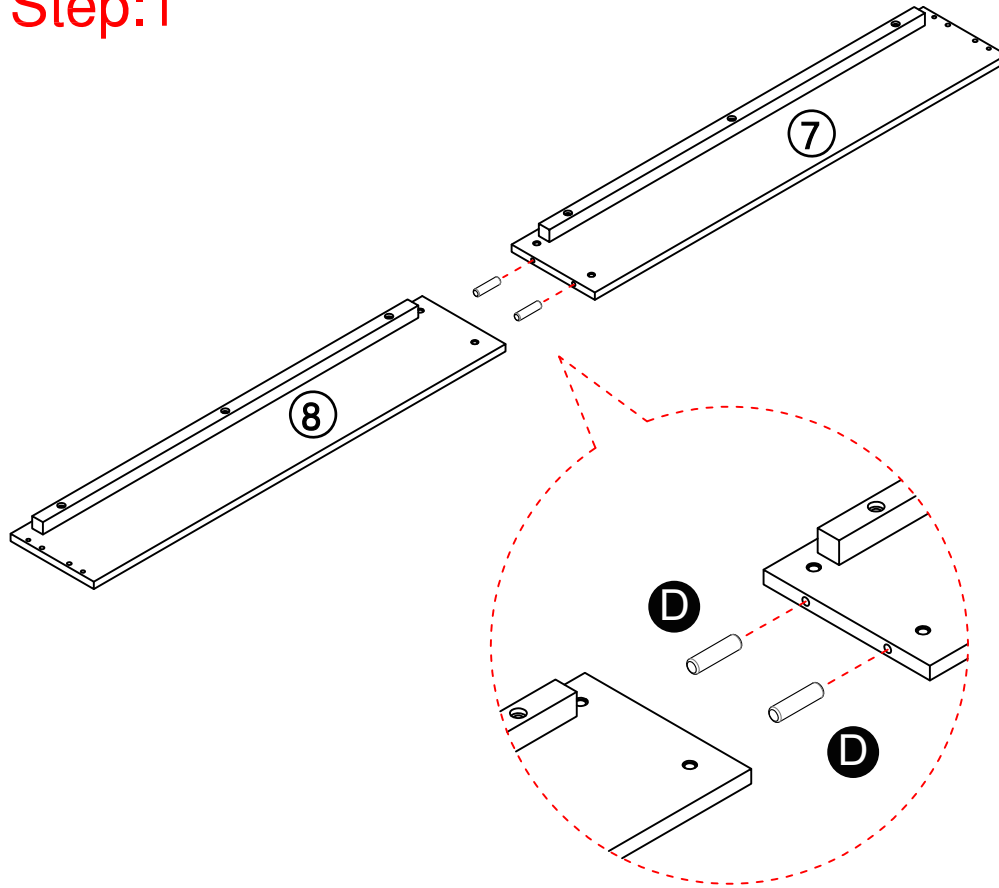
⑨ x2

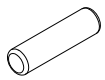
Screws & Tools

A		M6x12mm	x12
B		M6x35mm	x7
C		M6x45mm	x8
D		ø8x30mm	x12
E		M6x10mm	x8
F		2x25x850mm	x2
G		4mm	x1

Check all the components & screws before assembly.
Do not install in case part is missing.contact us to get.

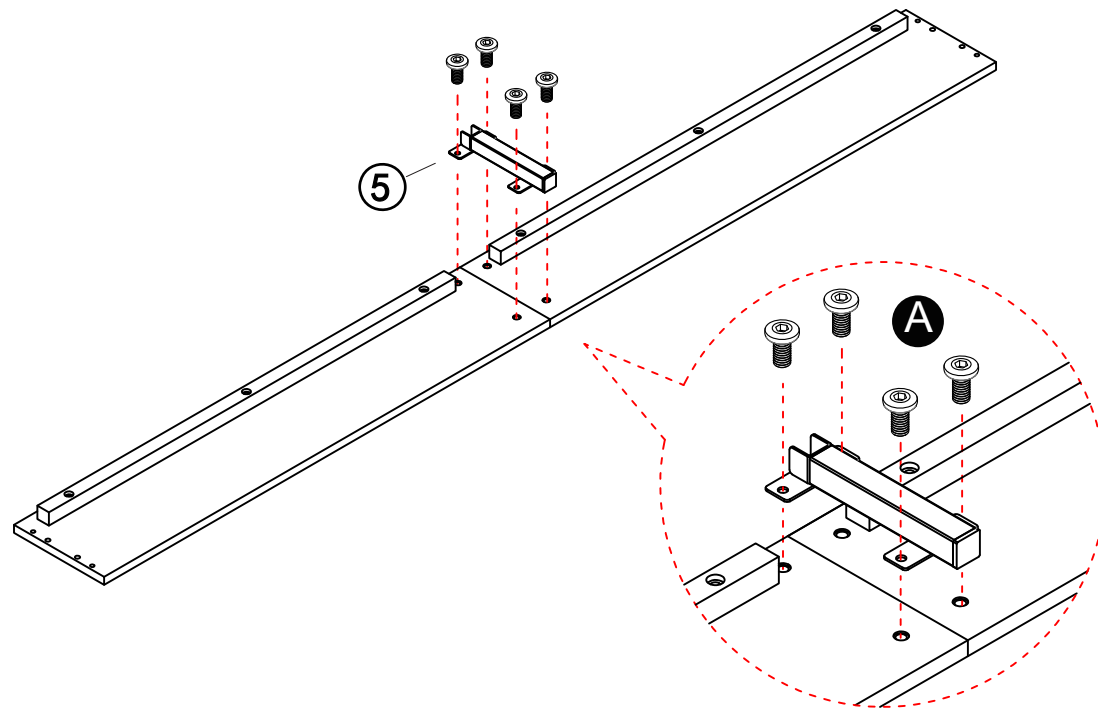
Step:1



D $\varnothing 8 \times 30 \text{mm}$

4PCS

x2

Step:2



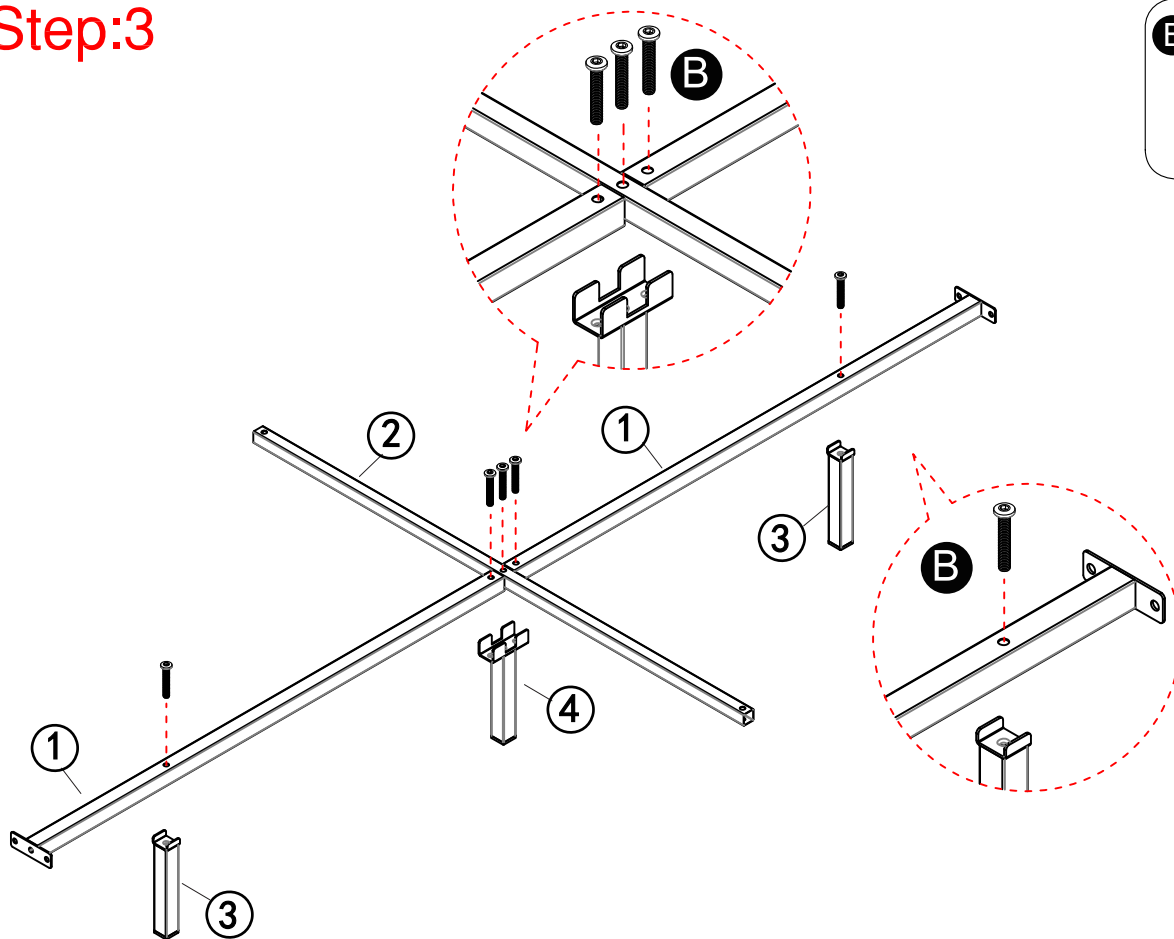
A M6x12mm

8PCS

x2

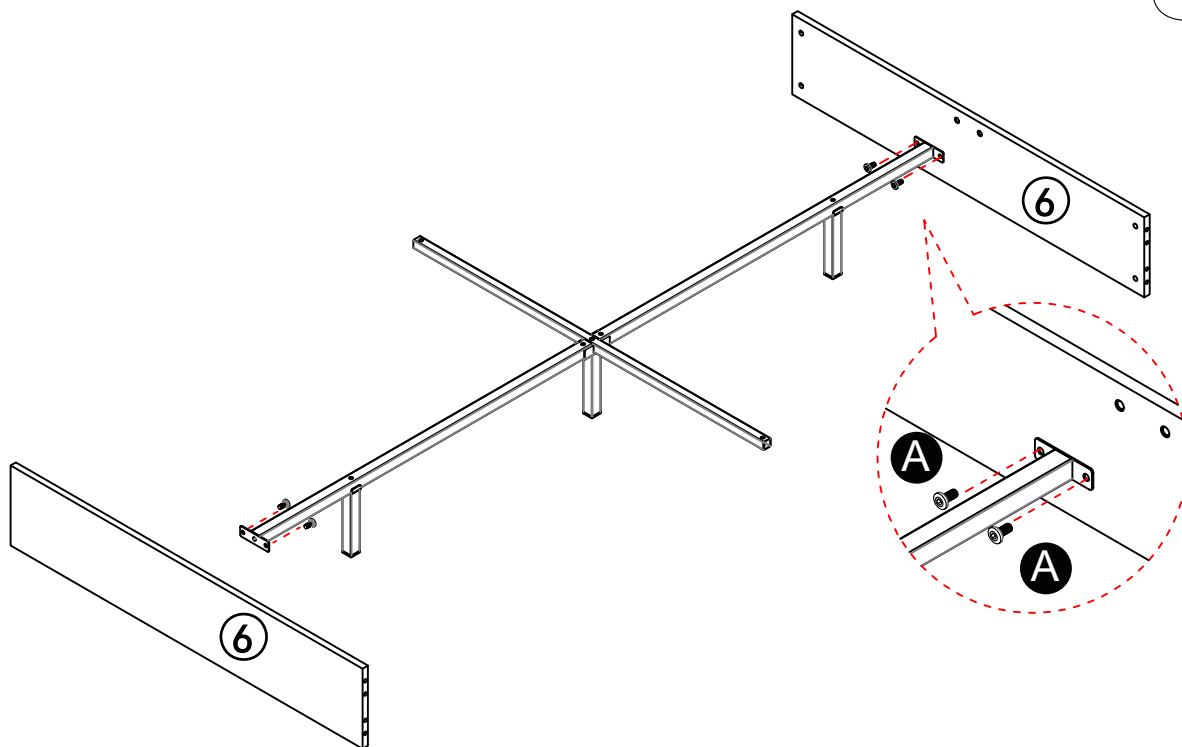
Step:3

B M6x35mm
5PCS

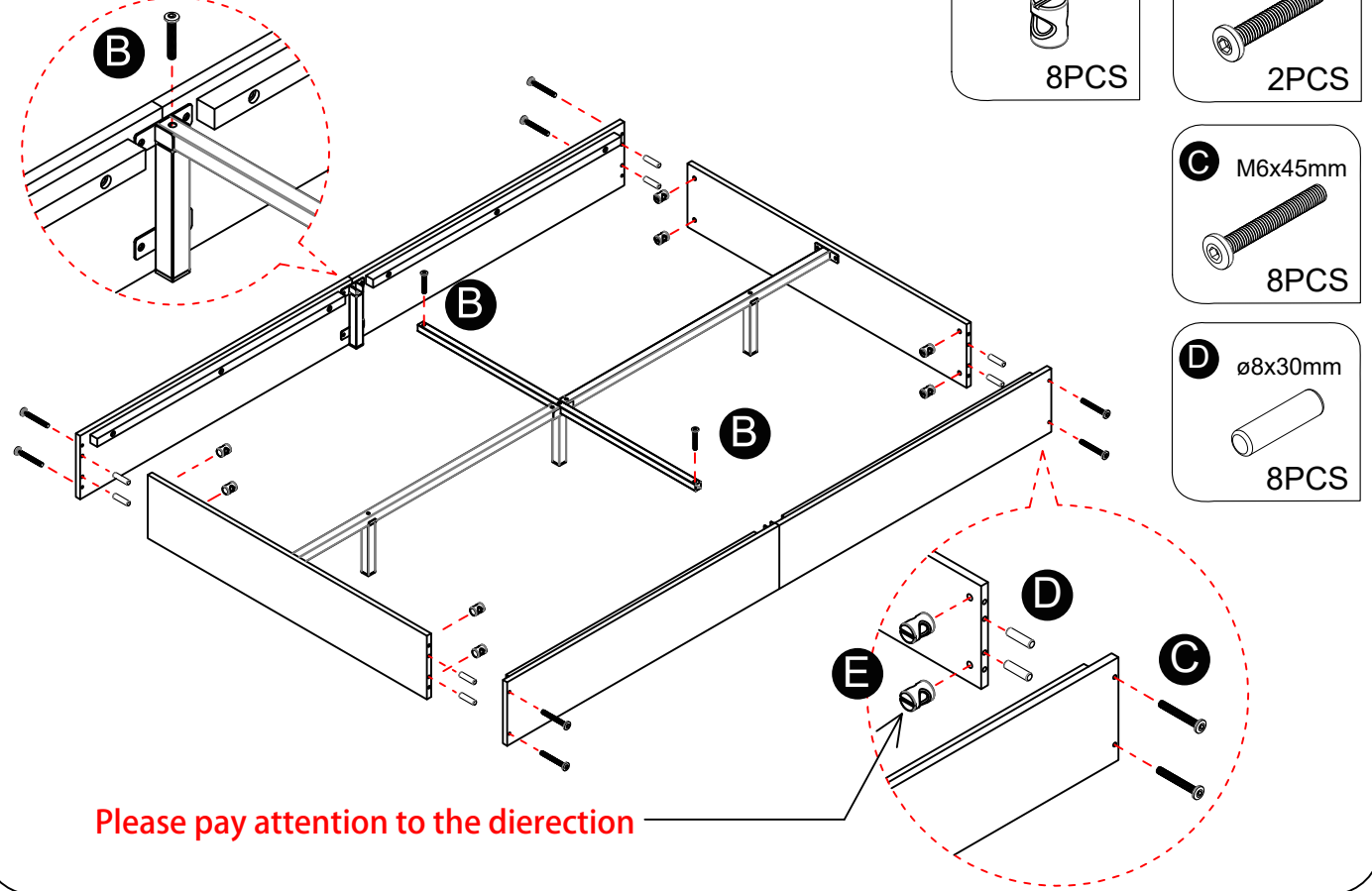


Step:4

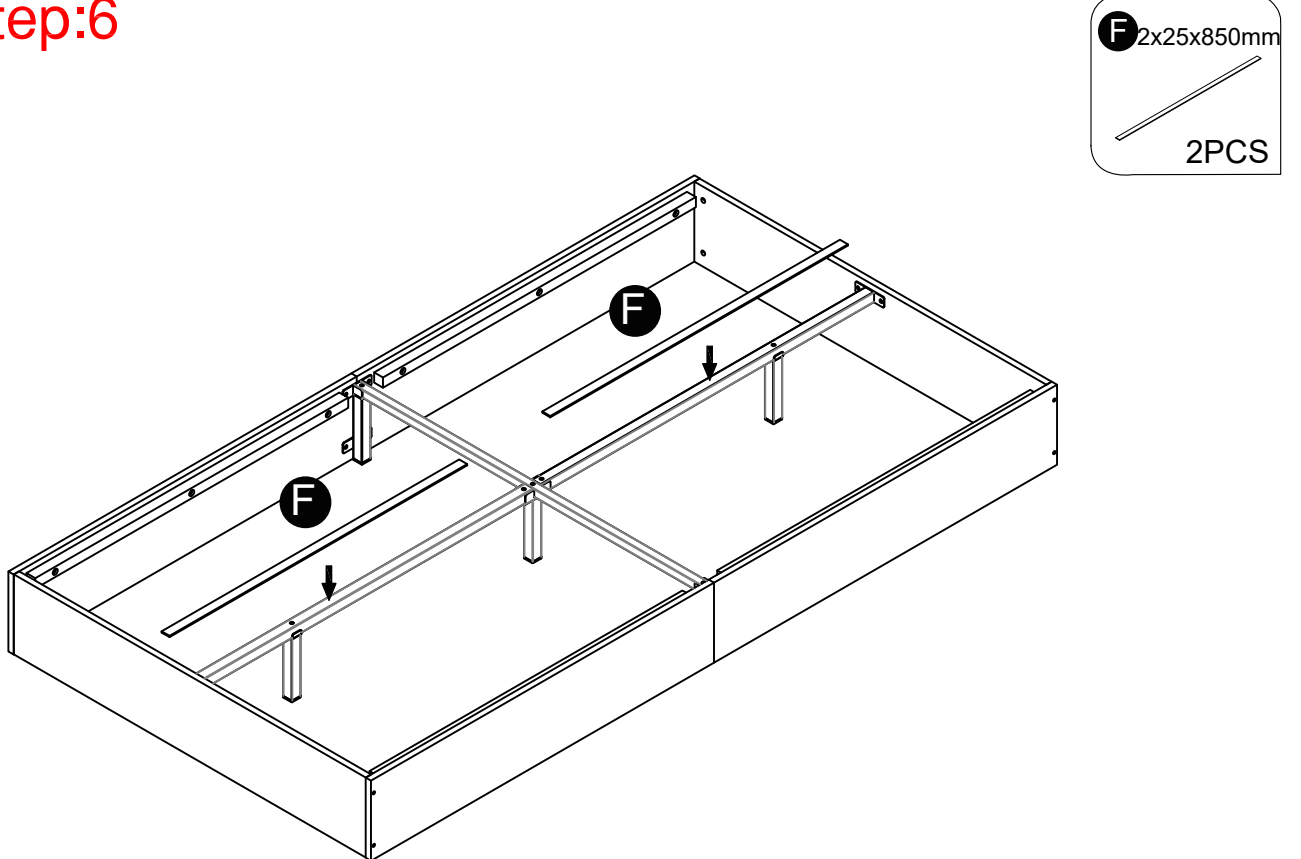
A M6x12mm
4PCS



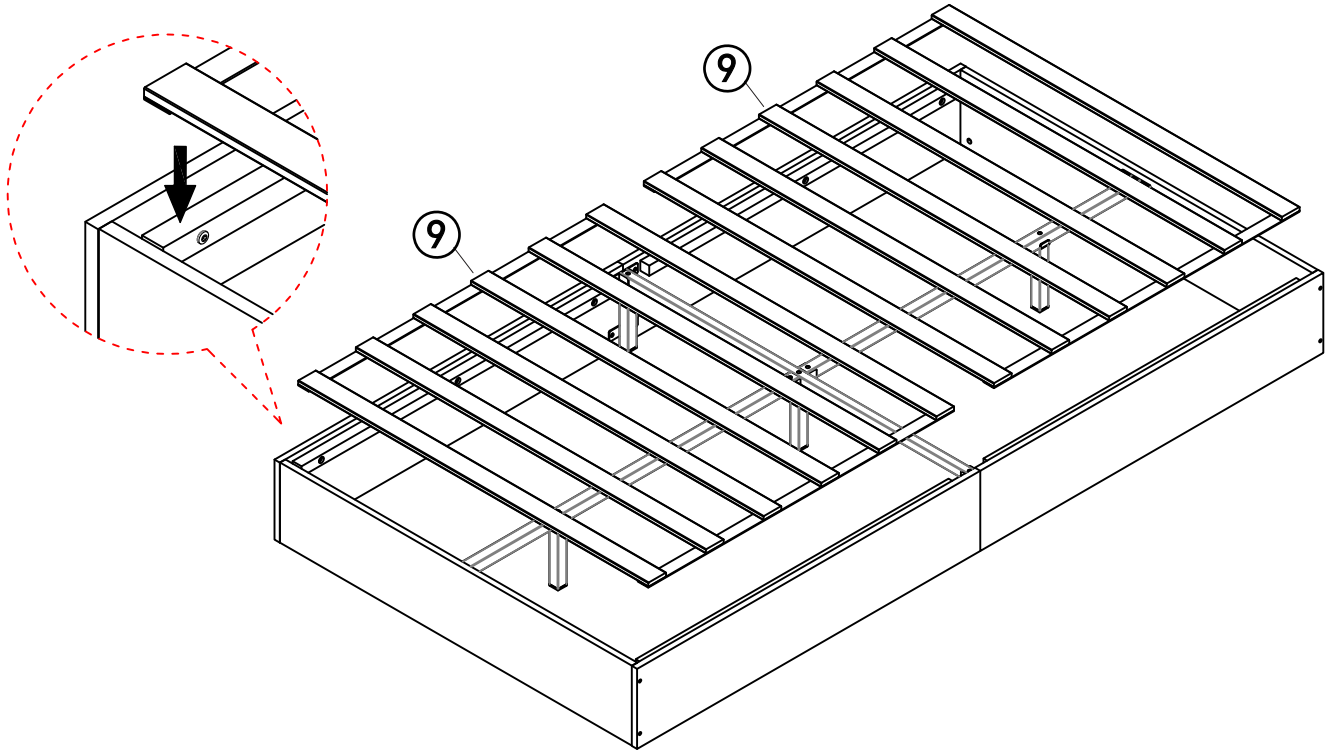
Step:5



Step:6



Step:7



Note : Pls check and tighten all screws.

IMPORTANT SAFETY INFORMATION

Please carefully read the instructions and caution warnings below before assembling the product. Following this guide will ensure that you install, use and maintain the product properly.

- Please keep this installation and user manual/instructions for future reference in case you need to assemble the product.
- Do not assemble if you notice serious damage such as cracks or bends.
- During installation, please use work gloves for hand safety.
- Please assemble the unit on carpeted floor or the flat cardboard box to avoid scratching the surface or your floor while assembling on the floor.
- To assemble, please use the complimentary installation tools (Allen Wrench). Pay more attention to the direction of components at each steps.
- It is recommended that two people work together to assemble the product.
- Please do not tighten the screws up too much, just to 80% before you finish to make the installation go on successfully.

RETURN POLICY

We believe you will absolutely love your new product. But for some reason you want to return your item, please contact us within 30 days after receiving and ensure that the product which you want to return is in a good condition in the original box with all original certificates of purchase, manuals and accessories attached.

HOW TO MAINTAIN YOUR PRODUCT:

- Check the screws of the product are not loose from regular use.
- Do not use sharp instruments, rubbing alcohol, corrosive chemicals, or abrasive cleaners to clean the product.
- Do not keep the product in a damp environment for a long period of time. The damp environment may cause the iron components to rust and the plates to bulge and crack.

CAUTIONS!

