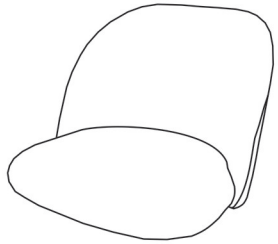


ASSEMBLING INSTRUCTION

(1) x1

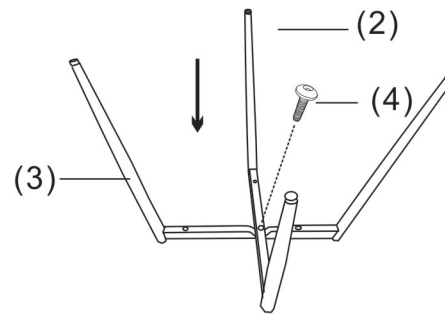


(4) x1

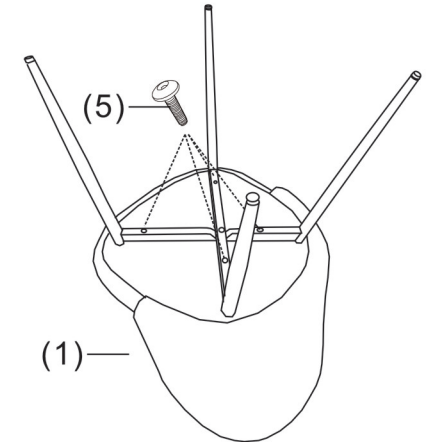


M6*30mm

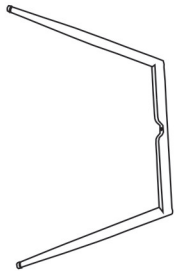
①



②



(2) x1

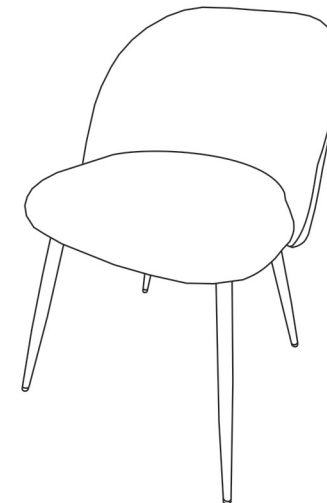


(5) x4

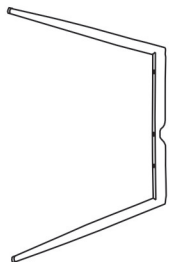


M6*45mm

③



(3) x1



(6) x1



X1