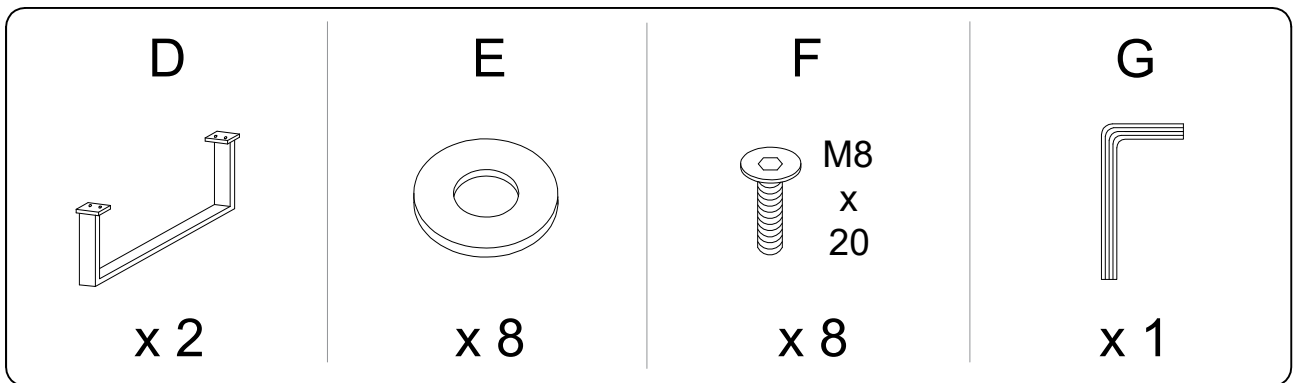
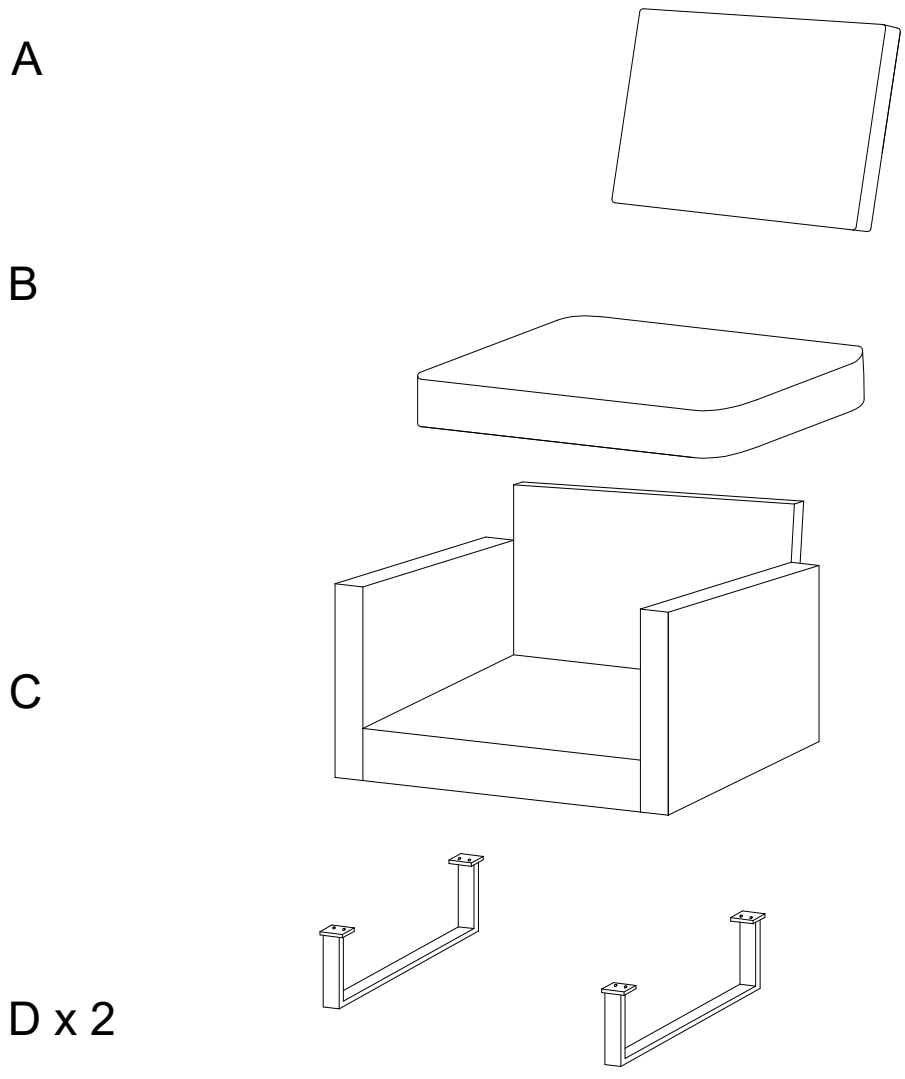
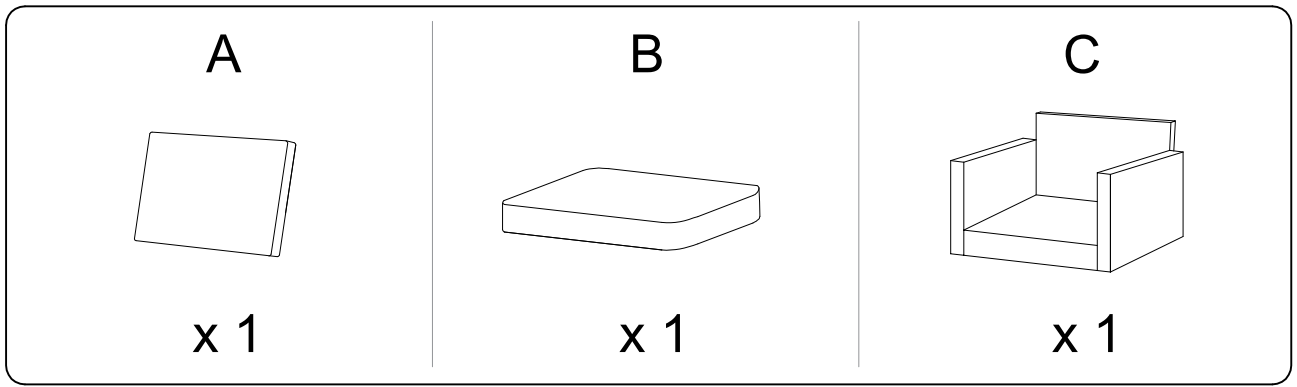


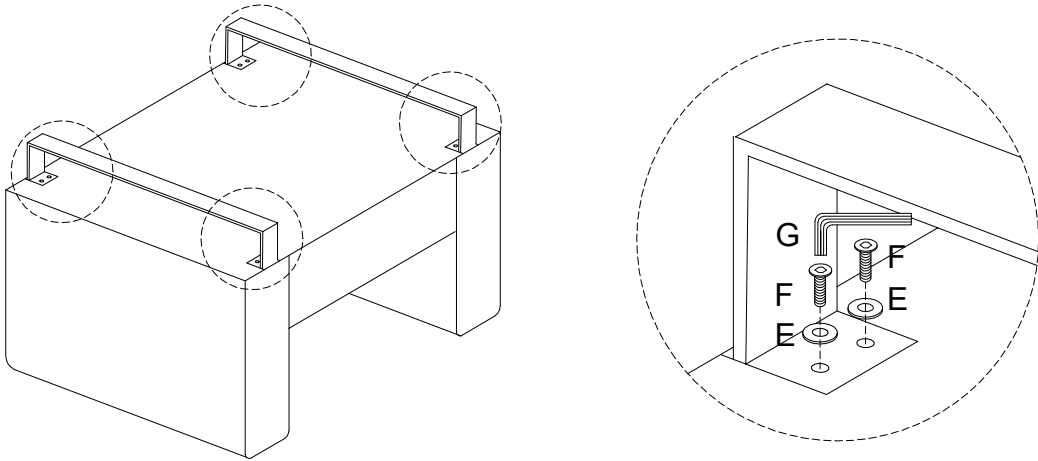
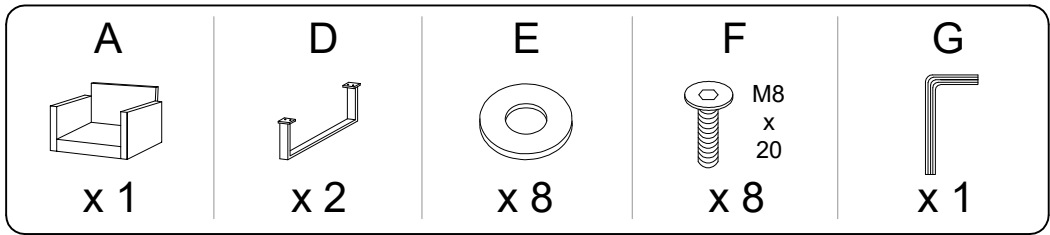
Assembly instructions for the chair, including icons for materials, tools, and safety warnings.

The first instruction block shows an L-shaped metal bracket in a circle, a crossed-out power drill, and a warning triangle. To the right is a clock icon and the text "20'".

The second instruction block shows a rectangular cushion in a circle, a crossed-out screwdriver, and a warning triangle. To the right is a person icon and the number "1".



1



2

