

TROUBLESHOOTING - 2

Some function not works

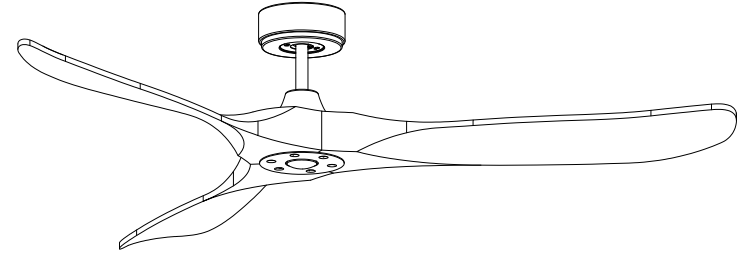
- Light cannot adjust brightness
 - Try to press and hold the dimming button
- Fan cannot reverse
 - After press the reverse button, wait for about 20 seconds to reverse.
- If other function is normal and the operation is correct, it needs to change a new remote and receiver.

Fan noisy

- Tighten all screws.
- Make sure no objects insert in the fan.
- Separate & store neatly all the wire nut connections.

Fan shaking

- Check the screws on the hanger bracket are secure.
- Make sure the concave groove of the hanger ball is positioned on the hanger lug of the hanger bracket.
- Check the screws of hanger ball, downrod and connector are secure.



Model: YJ673

Instruction Manual

Attention:

This appliance is not intended for use by persons (including Children) with reduced physical, sensory or mental capabilities or lack of experience and knowledge unless they have been given supervision or instruction concerning use of the appliance by a person responsible for their safety. Children should be supervised to ensure that they do not play with the appliance.

SAFETY PRECAUTION:

IMPORTANT: PLEASE READ BEFORE INSTALLATION

1. The installation work must be carried out by a qualified wiring installer.
2. Turn off the Electrical Main Switch at the circuit breaker fuse box.
3. Using power supply 120V~ / 60Hz.
4. **WARNING:** To Reduce The Risk Of Fire, Electric Shock, Or Personal Injury, Mount To Outlet Box Marked "Acceptable for Fan Support of 15.9 kg (35 lbs) or less" And Use Mounting Screws Provided With The Outlet Box. Most Outlet Boxes Commonly Used For The Support of Luminaires Are Not Acceptable For Fan Support And May Need To Be Replaced. Consult A Qualified Electrician If In Doubt.
5. **CAUTION:** To Reduce The Risk Of Injury To Persons, Install Fan So That The Blade Is At Least 3.05 Meters (10 Feet) Above The Floor.
6. Do not operate the reverse switch when the fan is still in motion mode. Wait till it stop completely before switching to reverse mode.
7. Do not insert any objects in the path of the blades.
8. When all electrical connection are done, store all wires neatly.
9. Make sure all screws and connections are tightly screwed and secured.
10. The supply wires live and neutral must be connected to a double pole switch having a contact of at least 3mm in all poles.
11. **WARNING:** To Reduce The Risk Of Personal Injury, Do Not Bend The Blade Brackets When Installing The Brackets, Balancing The Blades, Or Cleaning The Fan. Do Not Insert Foreign Objects In Between Rotating Fan Blades.
12. **WARNING -** To Reduce The Risk Of Electric Shock, This Fan Must Be Installed With An Isolating Wall Control/Switch.
13. **CAUTION:** To Reduce The Risk Of Electric Shock, Disconnect The Electrical Supply Circuit To The Fan Before Installing Light Kit.

ATTENTION: pour réduire le risque de blessures corporelles, installez le ventilateur de manière à ce que la lame se trouve à au moins 3,05 mètres (10 pieds) au-dessus du sol.

AVERTISSEMENT: pour réduire le risque d'incendie, de choc électrique ou de blessure, montez sur la boîte de sortie marquée « Acceptable pour un support de ventilateur de 15,9 kg (35 lb) ou moins » et utilisez les vis de montage fournies avec la boîte de sortie. La plupart des boîtiers de sortie couramment utilisés pour le support des luminaires ne sont pas acceptables pour le support des ventilateurs et peuvent devoir être remplacés. Consultez un électricien qualifié en cas de doute.

WARNING

TO REDUCE THE RISK OF PERSONAL INJURY, DO NOT BEND THE BLADES BRACKETS DURING ASSEMBLY OR AFTER INSTALLATION. DO NOT INSERT ANY OBJECTS IN THE PATH OF THE BLADES.

TO REDUCE THE RISK OF SHOCK, THIS FAN MUST BE INSTALLED WITH AN ISOLATION WALL CONTROL / SWITCH.

TROUBLESHOOTING - 1

Fan does not work, but light works

- Check all the connections are correct and secure, reconnect the motor wires.
- Turn off the power at least 10 seconds, then turn on the power and repair the remote and receiver.
- Turn off the power and turn on the power again
 - If you cannot hear a 'beep' sound, it means there is a problem with receiver and need to change a new one.
 - If you hear a continuous 'beep' sound, it means there is a problem with fan motor.
Check the motor wires are secure and intact.
Check the motor for resistance.

Fan works, but light does not work

- Check the light wire connections are correct and secure, reconnect the light wires.
- Turn off the power at least 10 seconds, then turn on the power and repair the remote and receiver.
- Connect the light directly without receiver
 - If the light works, it means there is a problem with receiver and need to change a new one.
 - If the light not works, it means there is a problem with light and need to change a new one.

Fan and light do not work

- Check all the connections are correct and secure, reconnect all the wires.
- Turn off the power at least 10 seconds, then turn on the power and repair the remote and receiver.
- Check the battery of remote control. Change a new battery.
- Turn off the power and turn on the power again
 - If you cannot hear a 'beep' sound, it means there is a problem with receiver and need to change a new one.

MAINTENANCE TIPS:

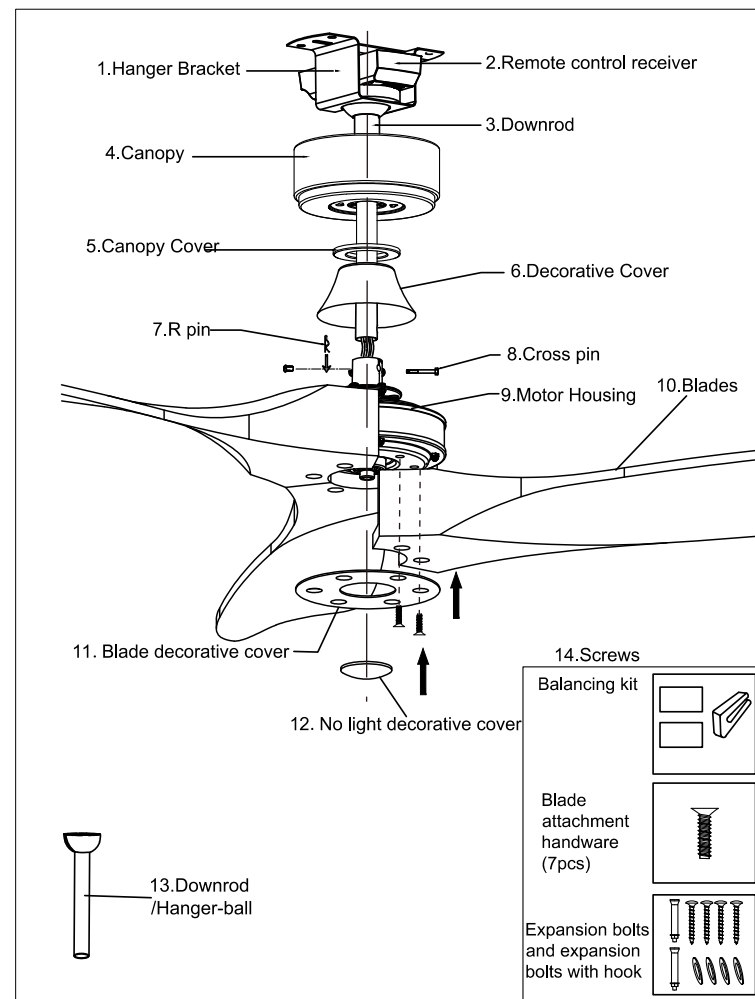
1. Because of the fan's natural movement, some connections may be loose. To check the support connections, brackets and blades attachment 2 times a year. Make sure they are all secured (It is not necessary to dismantle the entire fan from ceiling).
2. Clean your fan periodically to help maintain its appearance over the years. Do not use water when cleaning, use only a soft brush or lint-free cloth to avoid scratching the finish. The plating is coated with a lacquer to minimize the ratio of discoloration or tarnishing which would damage the motor or the wood or possibly cause an electric shock.
3. You can apply a light coat of furniture varnishing to the wood for additional protection and enhance its beauty. Surface scratched mark can be touch-up with a light coat of shoe polish.
4. There is no need to oil your fan. The motor is created with lubricated sealed ball bearings.
5. User are advised to contact the fan supplier to conduct regular examination of the fan suspension system at least once in every two years.

WARNING

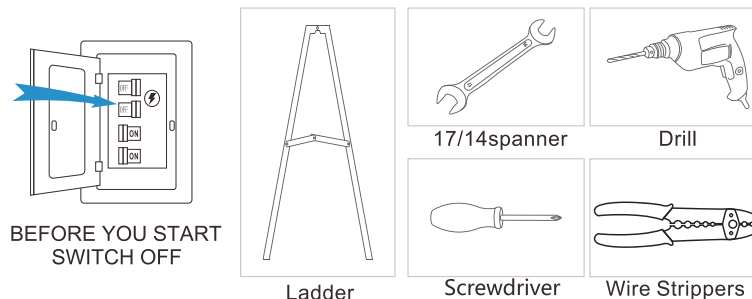
MAKE SURE THE POWER IS SWITCH OFF AT THE ELECTRICAL PANEL BOX BEFORE YOU ATTEMPT TO ANY REPAIRS (REFER TO THIS SECTION), MAKING ELECTRICAL CONNECTIONS.

ASSUREZ-VOUS QUE L'ALIMENTATION EST COUPÉE AU NIVEAU DU BOÎTIER ÉLECTRIQUE AVANT DE TENTER DES RÉPARATIONS (VOIR CETTE SECTION), EN FAISANT DES CONNEXIONS ÉLECTRIQUES.

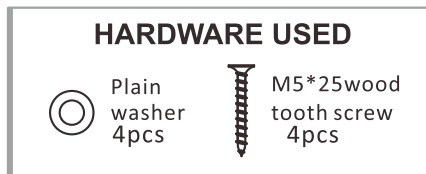
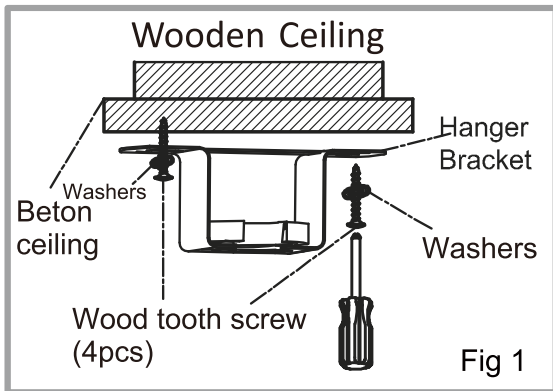
FAN STRUCTURE DRAWING:



TOOLS THAT MAY BE USED DURING INSTALLATION :

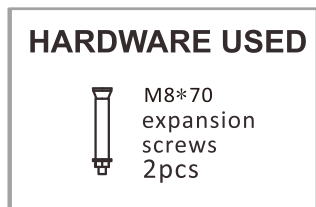
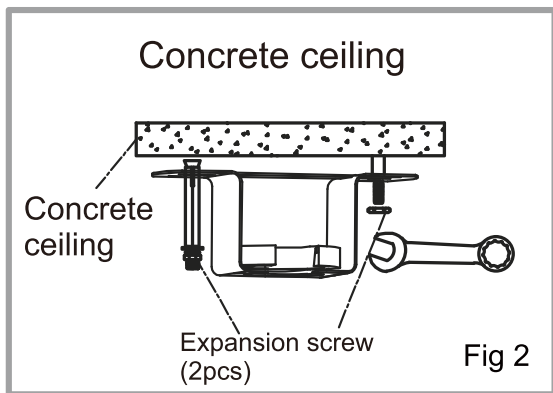


1. INSTALLATION OF HANGER BRACKET



1) Wooden Ceiling:

Fasten the hanger bracket to the ceiling with 4 wood tooth screws. (fig 1)

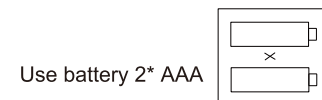
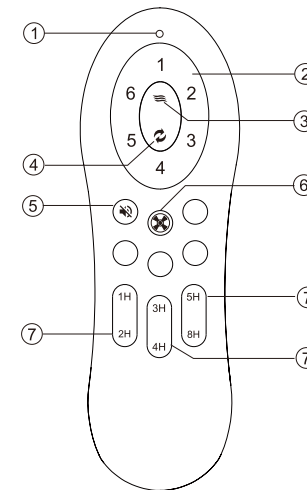


2) Concrete ceiling:

Use the expansion screw to fix the hanger bracket to the ceiling. (fig 2)

REMOTE CONTROL MANUAL(Without Light)

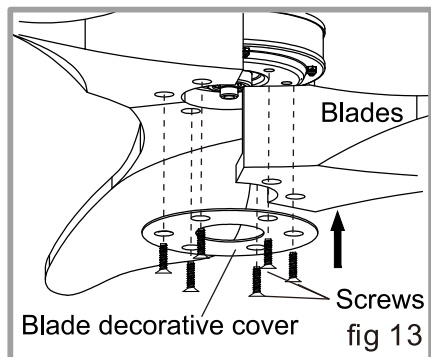
- ① Led Indicator
- ② Speed Control
- ③ Natural wind
- ④ Fan Reverse/Forward
Press and hold the button for seconds
- ⑤ Silent mode switch
Press and hold the button for 2 seconds to cancel the Beep sound
- ⑥ Fan Off
(Long press to pair the emitter and receiver)
- ⑦ 1/2/3/4/5/8H Timer (Short pressing)



IMPORTANT:

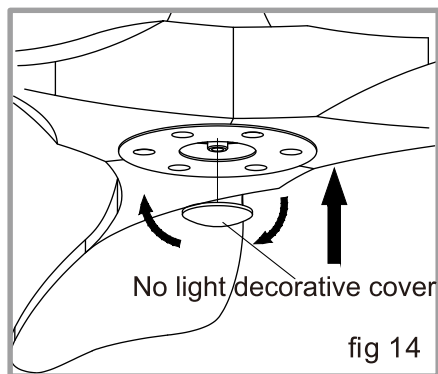
1. Insert two size AAA alkaline batteries by matching **+** and **-** on the batteries to the diagram inside the battery compartment of the remote control.
2. Steps to pair the Emitter and Receiver:
 - i. Turn 'ON' the supply power.
 - ii. Within 30 seconds, press and hold the Emitter button '⚡' for 5 seconds until hearing a long 'beep' sound.
 - iii. Pairing successfully (learning mode is not acceptable after turn 'ON' the supply power for more than 30 seconds).
3. When the Emitter cannot control the Receiver, check surrounding for any existence of similar remote control products. Some interference might occur when similar radio waves being transmitted.
4. Replace the batteries when found low in voltage as it will affected the sensitivity of the Emitter.
5. Always remove the batteries from the Emitter when leaving unused for long period of time.

6.INSTALLATION OF FAN BLADES :



- 1) Attach blade and blade decorative cover to the motor. Using blade screws from hardware package and only twist into 3/4 each screw first. (Fig 13)
- 2) Adjust uniformly to the space between 3 blades. Tighten each screw securely finally.

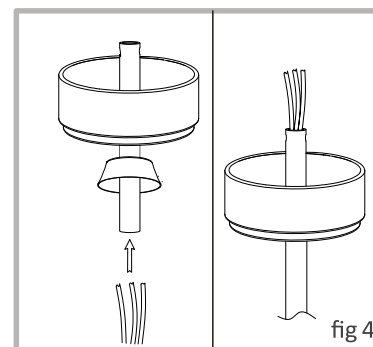
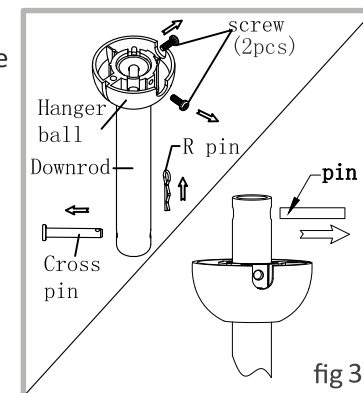
7.INSTALLATION OF DECORATIVE COVER



Attach the no light decorative cover to the motor and twist clockwise until it is secured tightly. (Fig 14)

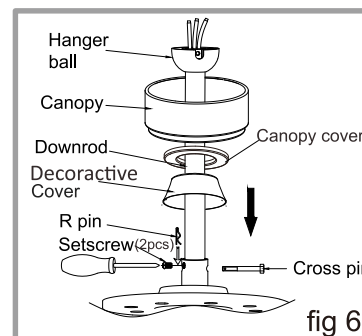
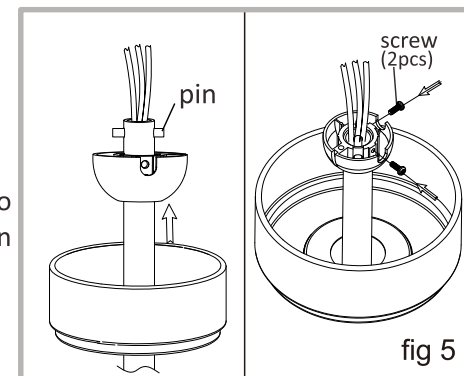
2.INSTALLATION OF DOWNROD / HANGER BALL:

1. Remove the screw and pin from the hanger ball; Remove the "R" pin and cross pin from the downrod. (fig 3)



2. Choose suitable downrod, Put the canopy and the decorative cover into the downrod, then thread the wire through the downrod. (fig 3)

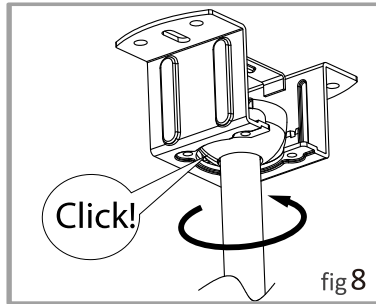
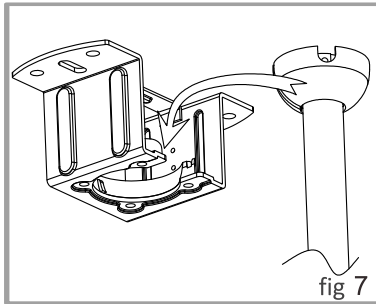
3. Install back the screws and pin to the hanger ball, ensure to fasten the screws. (fig 5)



4. Loosen the two setscrews in the downrod support (NOTE: The two setscrews above are used to secure the downrod. The two screws below are used to secure the central spindle, please do not loosen), Insert the downrod into the connector. Install back the cross pin and secured with the "R" pin. (Note: The wire will block the cross pin slightly) Fasten back the two setscrews. (fig 6)

The "R" pin must be properly installed to prevent the cross pin from working loose.

3. HANGING OF CEILING FAN:




Carefully lift the fan and assemble into hanger bracket which is attached to the outlet box. Ensure the rod ball's groove is lined up with tab on the hanger bracket.

4. WIRING OF CEILING FAN :

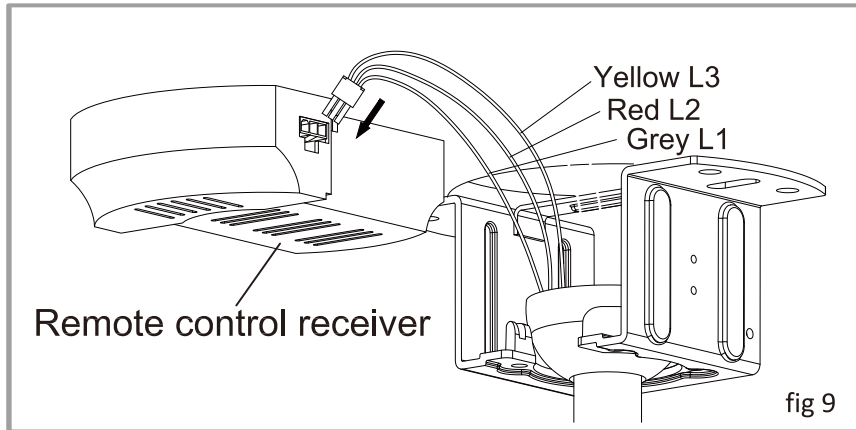
Total six colors of wires connected from the top of the motor:

- * Grey(L1), Red(L2), Yellow(L3) – live wire for fan
- * Green – ground wire

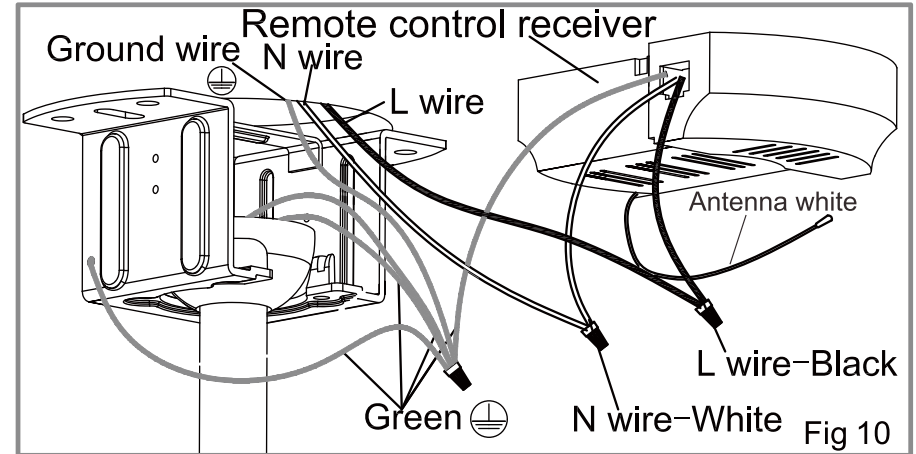
HARDWARE USED

	wire connectors	
P2	2 pcs	
P4H	1 pcs	

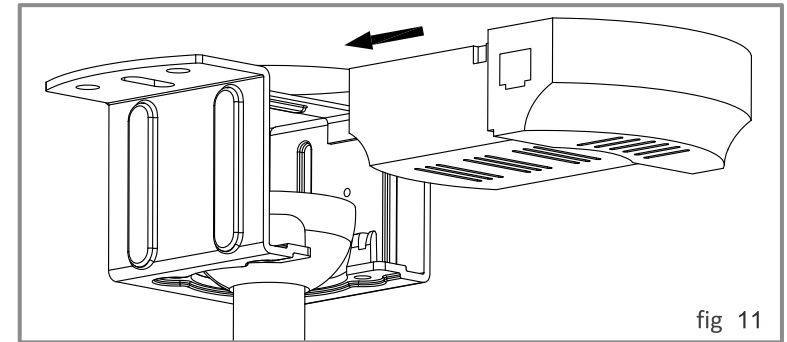
The installation is to be in accordance with the National Electrical Code ANSI/NFPA 70 and local codes.



1) Connect the ceiling fan cord to the receiver.

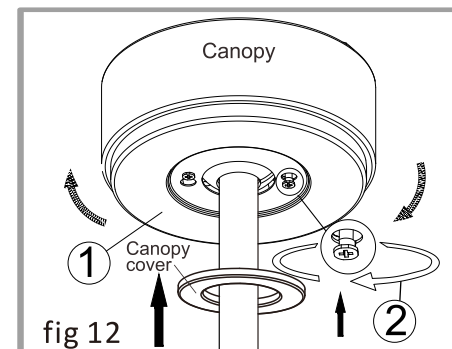


2) Connect the wires of remote control receiver to AC wires (Household supply): Green to Ground, White to Neutral, Black to Live.



3) Tidy up the wire and slide the receiver into the hanger bracket.

5. INSTALLATION OF CANOPY:



- 1) After done up the wiring, attach the canopy to the hanger bracket by pushing up and twist to locate screws in the two key holes. (fig 12)
- 2) Tighten the two screws firmly.
- 3) Attach the canopy cover with magnet to the canopy. (fig 12)