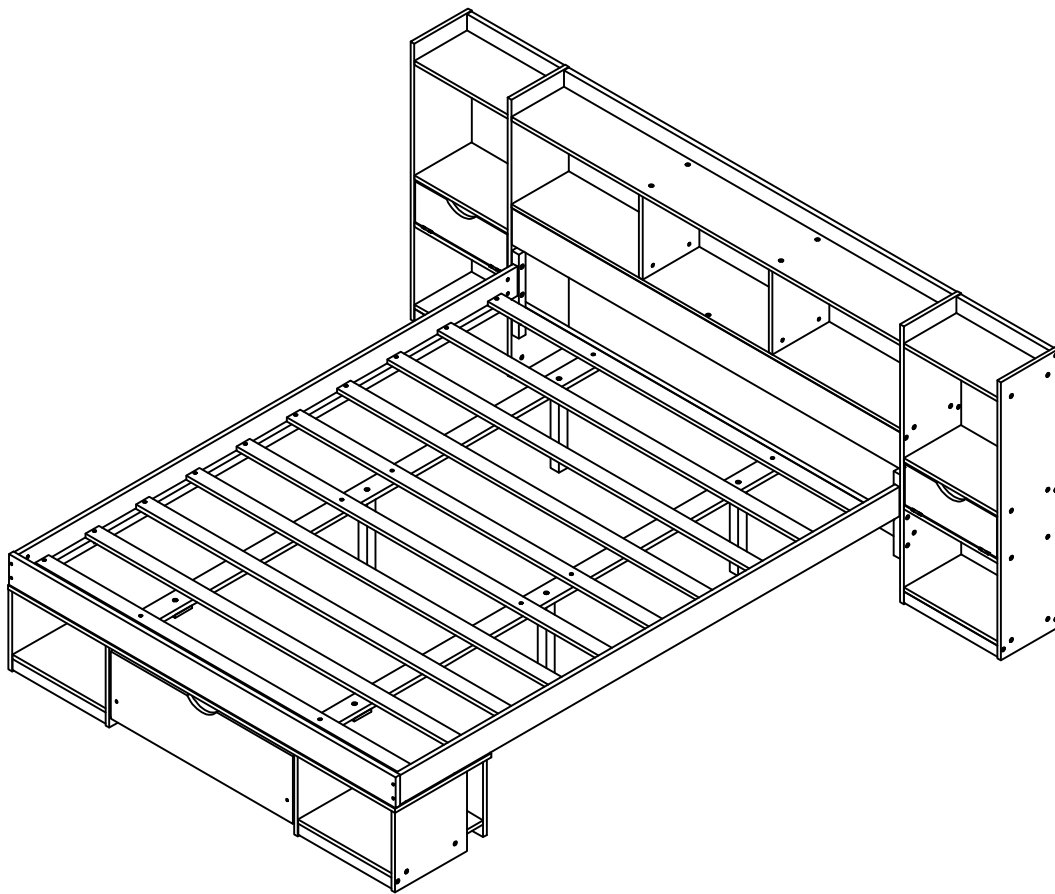
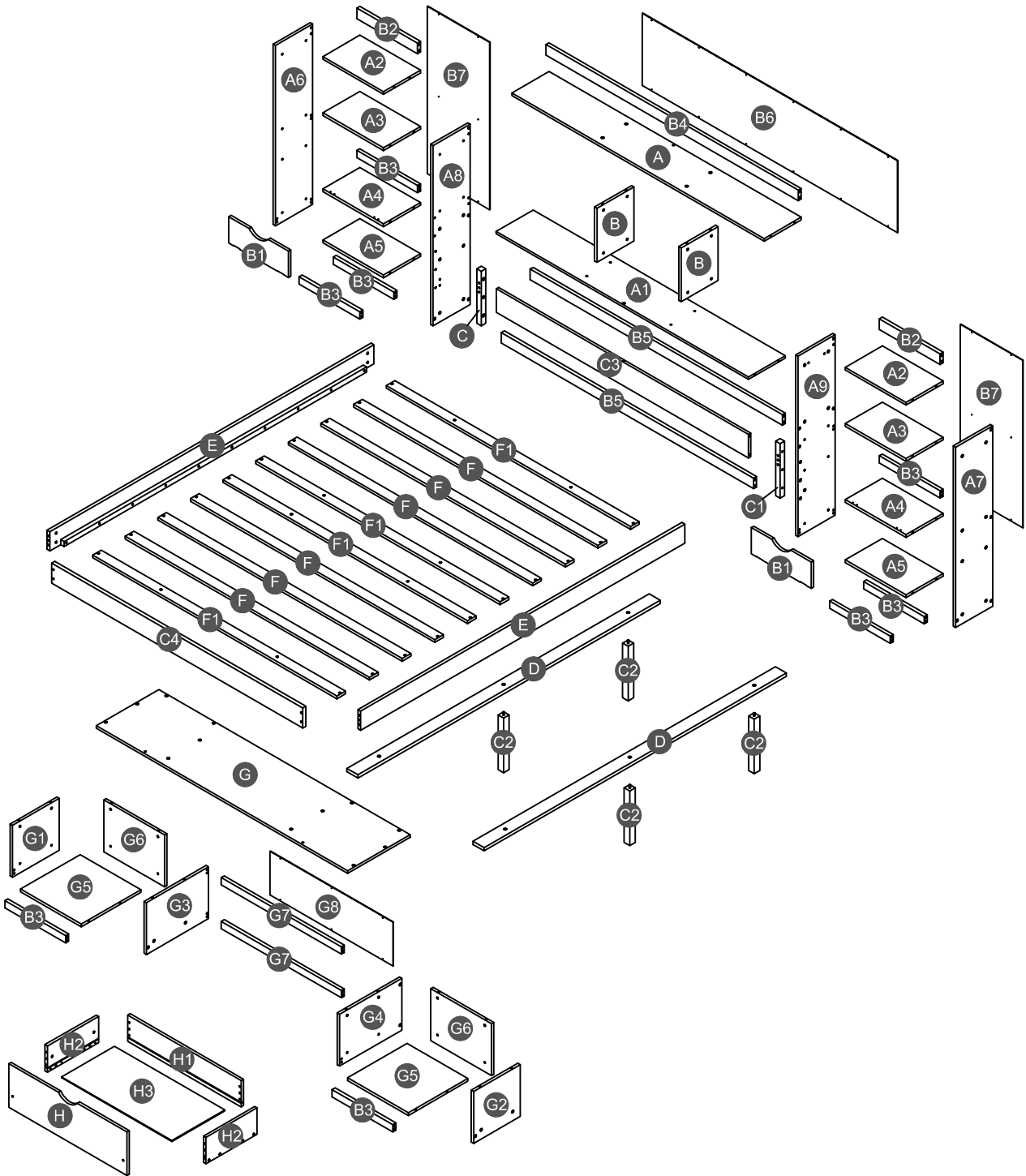


# ASSEMBLY INSTRUCTIONS

## QUEEN BED WITH HB BOOKCASE




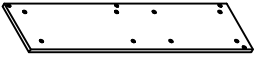


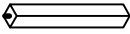

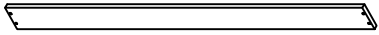
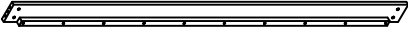
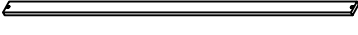
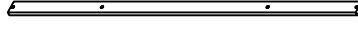
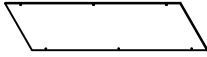


# Detail View

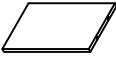
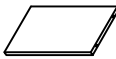


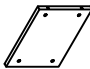
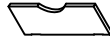
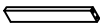


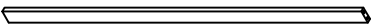

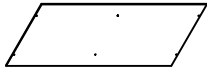

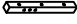
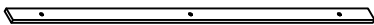
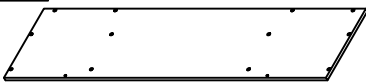
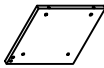

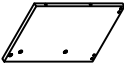
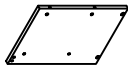
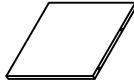
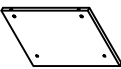



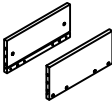



# Part List

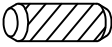
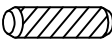
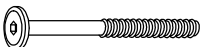
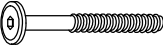





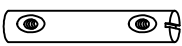

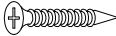
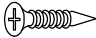

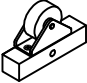
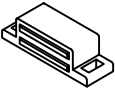


## Hardware inside

<p><b>A</b></p>  <p>Top panel HB - 1pc</p>	<p><b>A1</b></p>  <p>Shelf panel HB - 1pc</p>	<p><b>A6</b></p>  <p>Side panel HB (Left) - 1pc</p>
<p><b>A7</b></p>  <p>Side panel HB (Right) - 1pc</p>	<p><b>A8</b></p>  <p>Divider panel HB (Left) - 1pc</p>	<p><b>A9</b></p>  <p>Divider panel HB (Right) - 1pc</p>
<p><b>C2</b></p>  <p>Leg support - 4pcs</p>	<p><b>C3</b></p>  <p>Horizontal bar HB (Front) - 1pc</p>	<p><b>C4</b></p>  <p>Horizontal bar FB - 1pc</p>
<p><b>E</b></p>  <p>Side rail - 2pcs</p>	<p><b>F</b></p>  <p>Slats - 6pcs</p>	<p><b>F1</b></p>  <p>Slats - 4pcs</p>
<p><b>G8</b></p>  <p>Back panel FB - 1pc</p>		

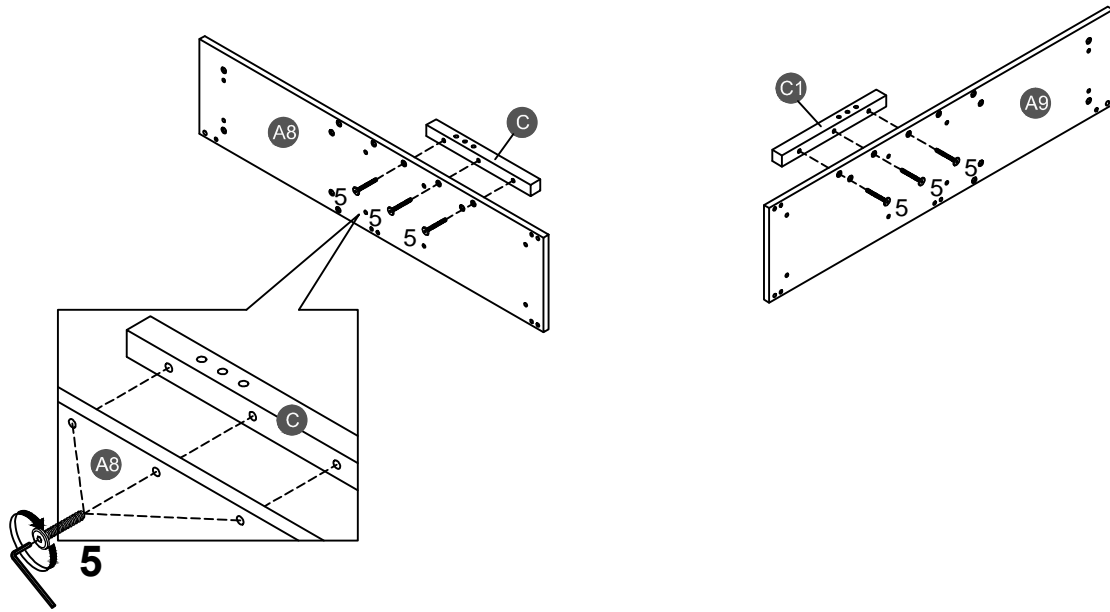
# Part List

<b>A2</b>  Top panel HB (Left/Right) - 2pcs	<b>A3</b>  Shelf panel HB (Left/Right) - 2pcs	<b>A4</b>  Shelf panel HB (Left/Right) - 2pcs
<b>A5</b>  Bottom panel HB (Left/Right)-2pcs	<b>B</b>  Divider panel HB - 2pcs	<b>B1</b>  Door HB - 2pcs
<b>B2</b>  Upper horizontal bar HB - 2pcs	<b>B3</b>  Lower horizontal bar HB/FB - 8pcs	<b>B4</b>  Upper horizontal bar HB - 1pc
<b>B5</b>  Lower horizontal bar HB - 2pcs	<b>B6</b>  Divider back panel HB - 1pc	<b>B7</b>  Back panel HB (Left/Right) - 2pcs
<b>C</b>  Support HB (Left) - 1pc	<b>C1</b>  Support HB (Right) - 1pc	<b>D</b>  Lower support slat - 2pcs
<b>G</b>  Top panel FB - 1pc	<b>G1</b>  Shelf panel FB (Left) - 1pc	<b>G2</b>  Shelf panel FB (Right) - 1pc
<b>G3</b>  Divider panel FB (Left) - 1pc	<b>G4</b>  Divider panel FB (Right) - 1pc	<b>G5</b>  Bottom panel FB (Left/Right)- 2pcs
<b>G6</b>  Back panel FB (Left/Right)- 2pcs	<b>G7</b>  Horizontal bar FB (Back) - 2pcs	<b>H</b>  Front drawer panel - 1pc
<b>H1</b>  Back drawer panel - 1pc	<b>H2</b>  Left / right drawer panel - 2pcs	<b>H3</b>  Drawer bottom - 1pc

## Hardware List

<b>1</b>	 Ø10*20mm Wood dowel (4pcs)	<b>2</b>	 Ø8*30mm Wood dowel (46pcs)	<b>3</b>	 (Ø15)1/4"*80mm Hex-Head bolts (8pcs)
<b>4</b>	 (Ø12)1/4"*60mm Hex-Head bolts (105pcs)	<b>5</b>	 (Ø12)1/4"*40mm Hex-Head bolts (6pcs)	<b>6</b>	 (Ø12)1/4"*30mm Hex-Head bolts (2pcs)
<b>7</b>	 (Ø12)1/4"*15mm Hex-Head bolts (4pcs)	<b>8</b>	 1/4"*15 (9.5mm) Horizontal-Hole bolts( 113pcs)	<b>9</b>	 (Ø12)1/4"*40mm Hex-Head bolts (1pc)
<b>10</b>	 (Ø10)1/4*76mm Connecting bar (2pcs)	<b>11</b>	 (1/4")4.5*58mm Allen key (1pc)	<b>12</b>	 Ø4*30mm Wood screws (36pcs)
<b>13</b>	 Ø3.5*15mm Wood screws (16pcs)	<b>14</b>	 Ø3.5*15mm Wood screws (30pcs)	<b>15</b>	 100*54*20 mm Wheels (4pcs)
<b>16</b>	 45*17*13mm Door catch (2pcs)	<b>17</b>	 42*12*1mm Metal magnet (2pcs)	<b>18</b>	 70*70*11mm Support PW (2pcs)

**STEP 1:**

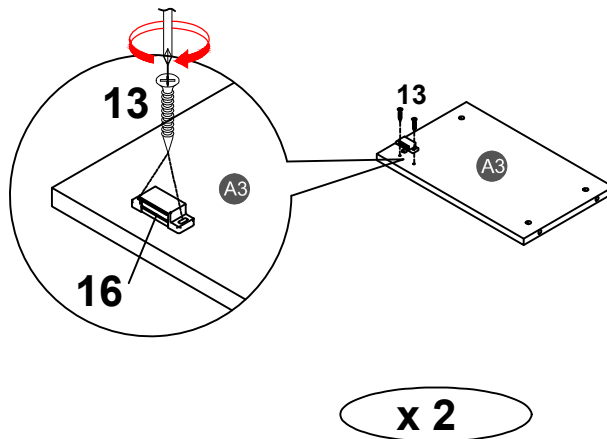


**5**



**6PCS**

**STEP 2:**

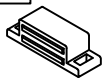


**13**



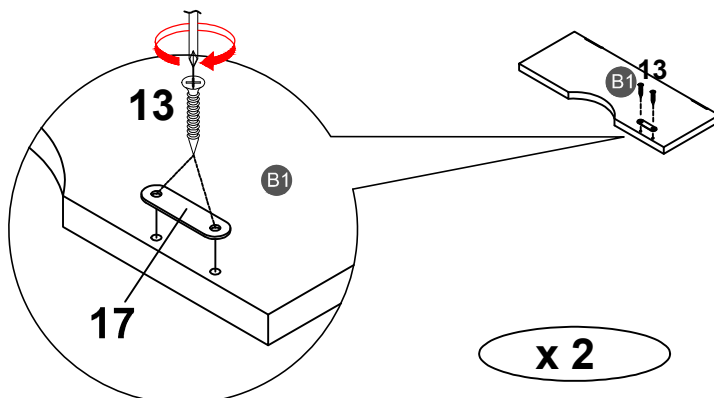
**4PCS**

**16**



**2PCS**

**STEP 3:**



**13**



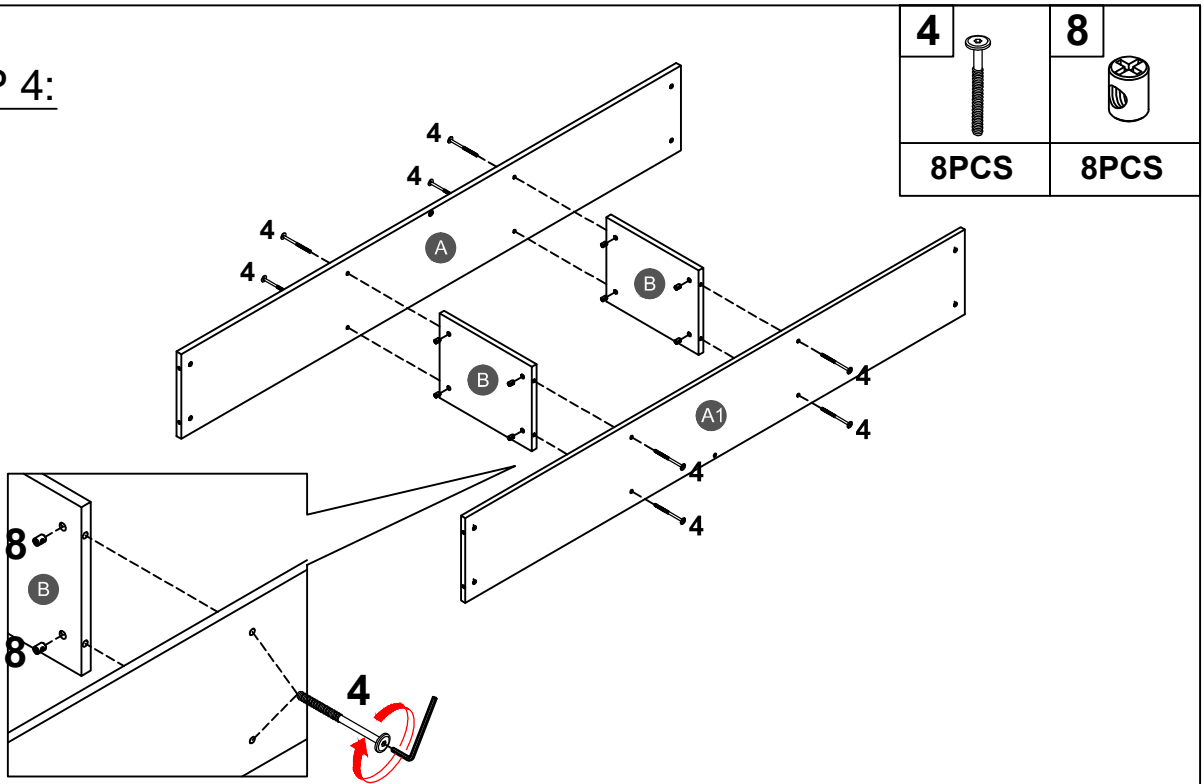
**4PCS**

**17**



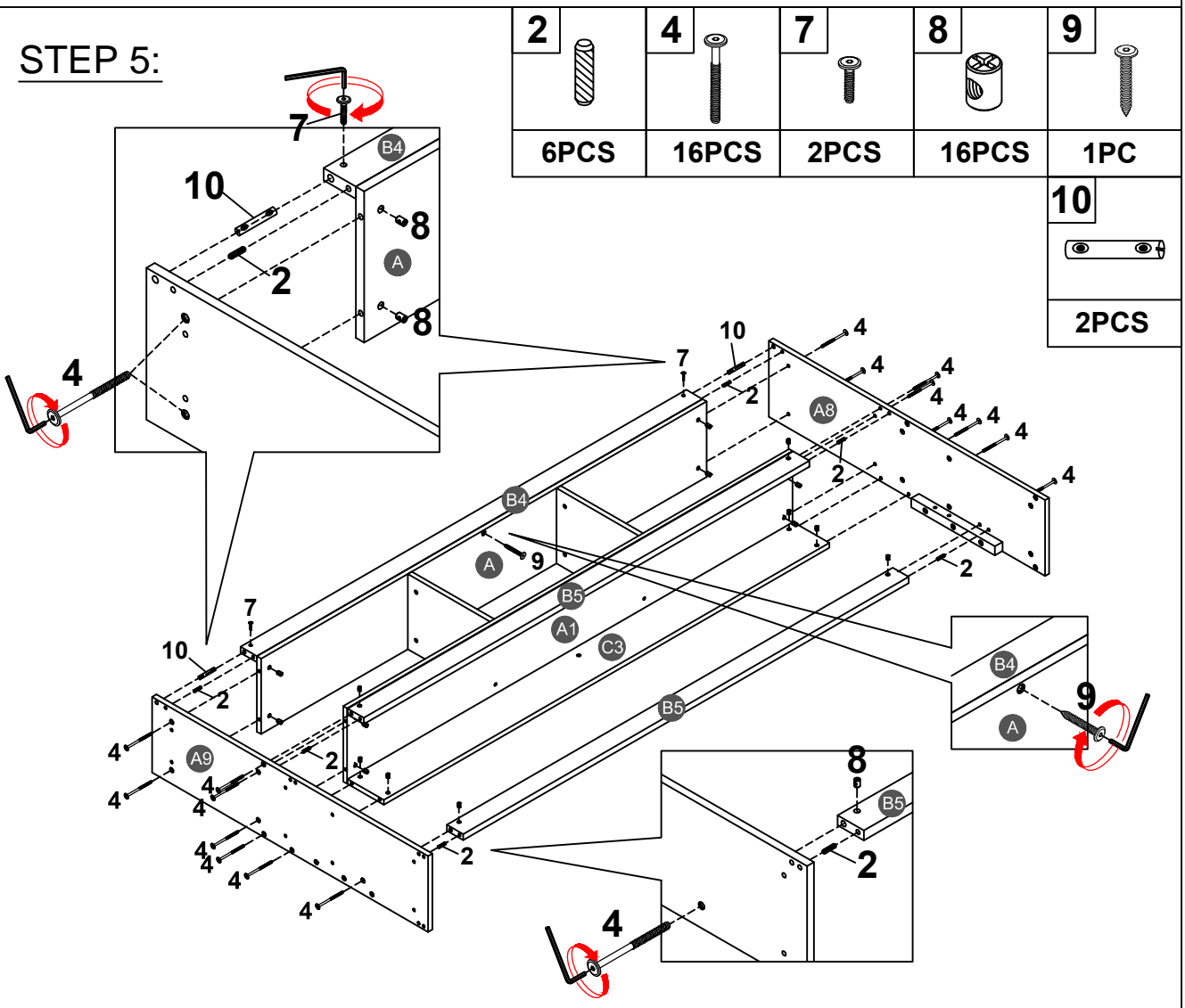
**2PCS**

**STEP 4:**



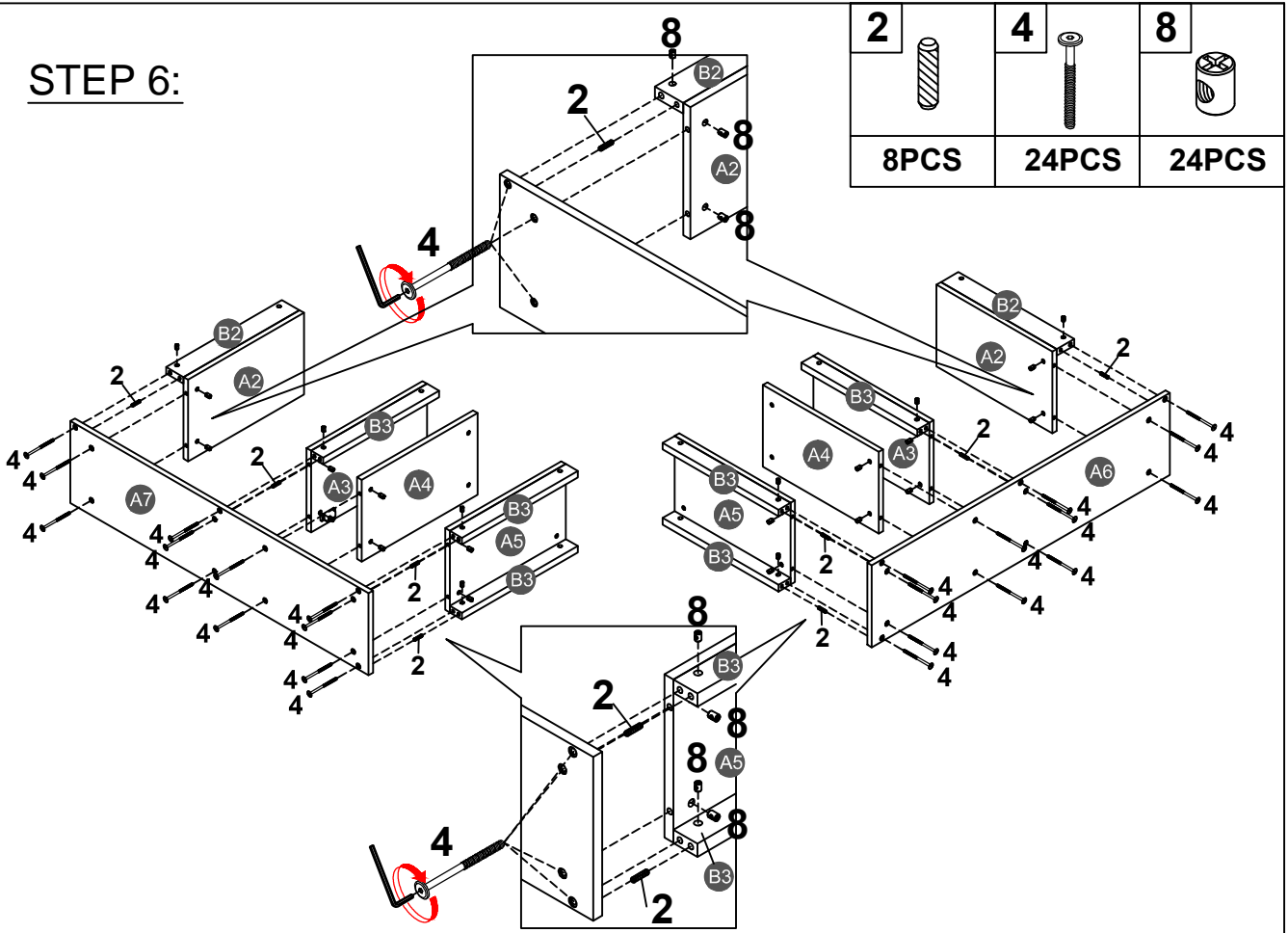
<b>4</b>		<b>8</b>	
<b>8PCS</b>		<b>8PCS</b>	

**STEP 5:**

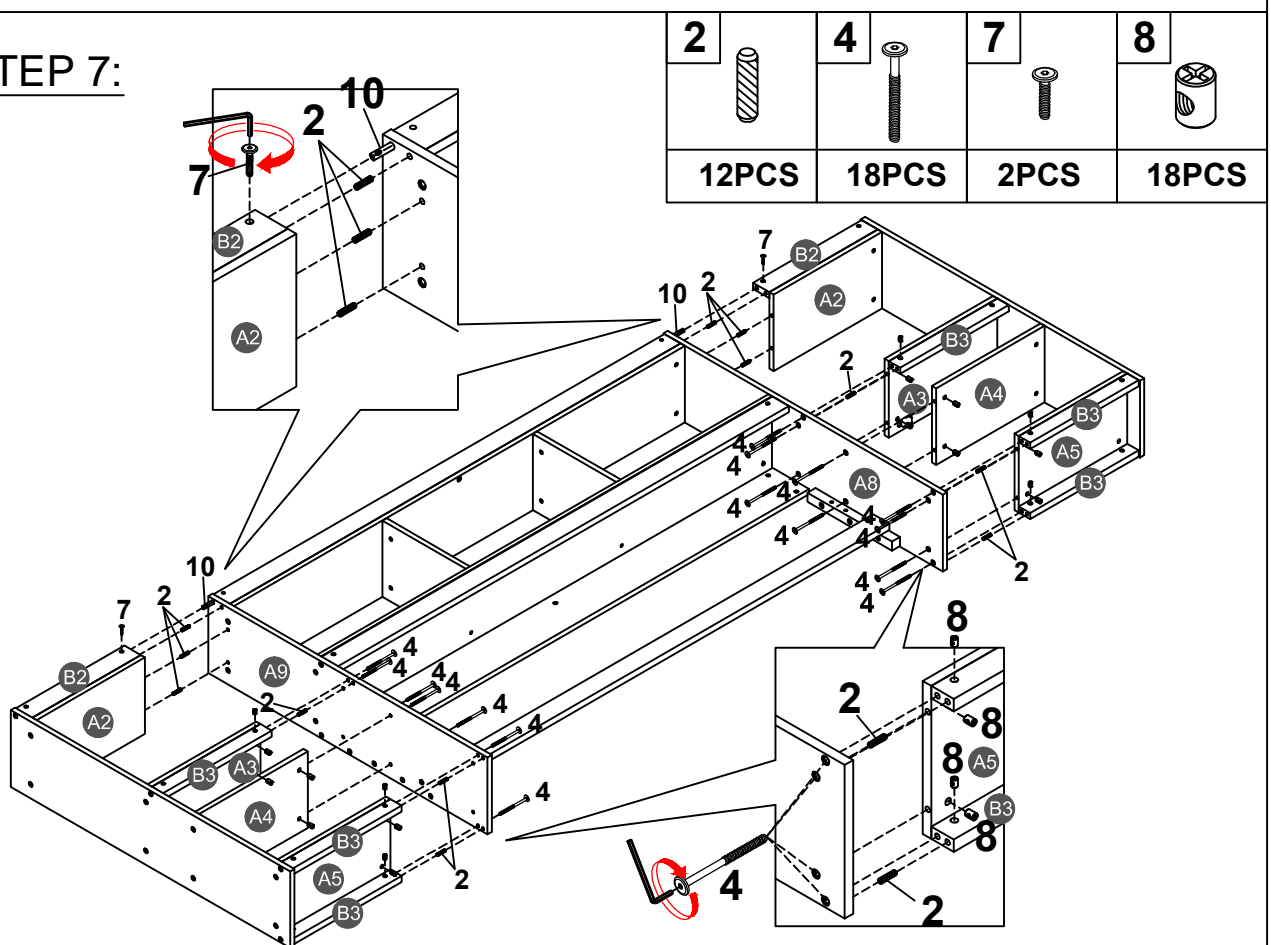


<b>2</b>		<b>4</b>		<b>7</b>		<b>8</b>		<b>9</b>	
<b>6PCS</b>		<b>16PCS</b>		<b>2PCS</b>		<b>16PCS</b>		<b>1PC</b>	
								<b>10</b>	
								<b>2PCS</b>	

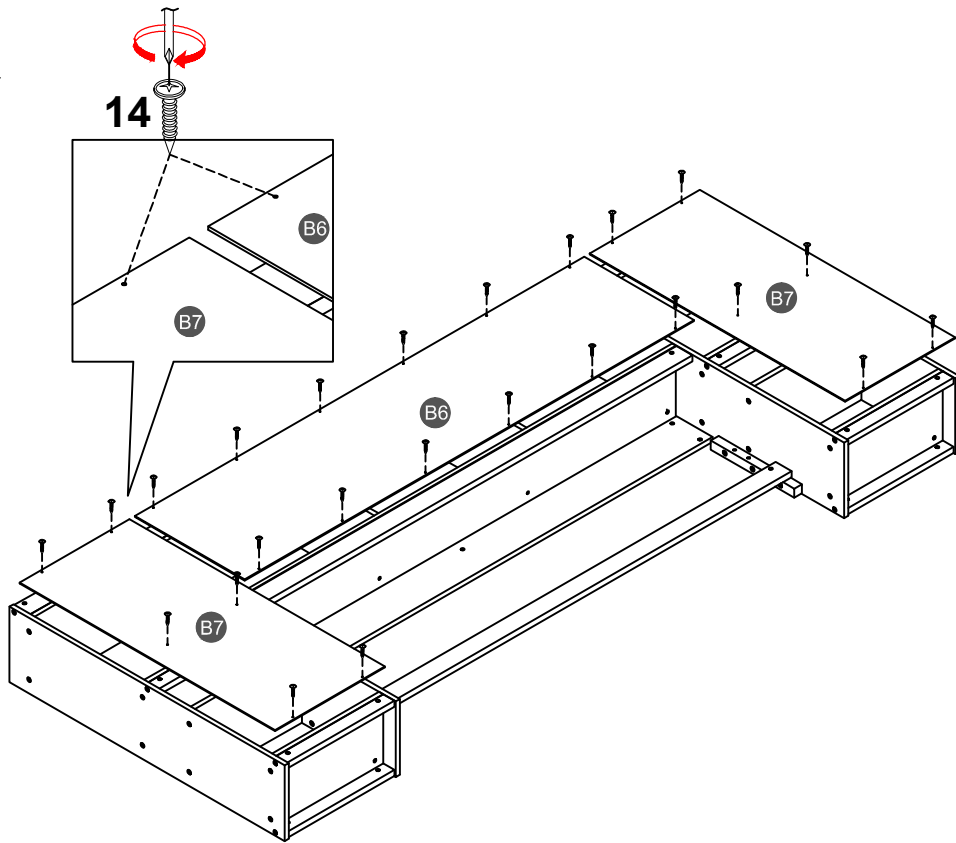
**STEP 6:**




**STEP 7:**

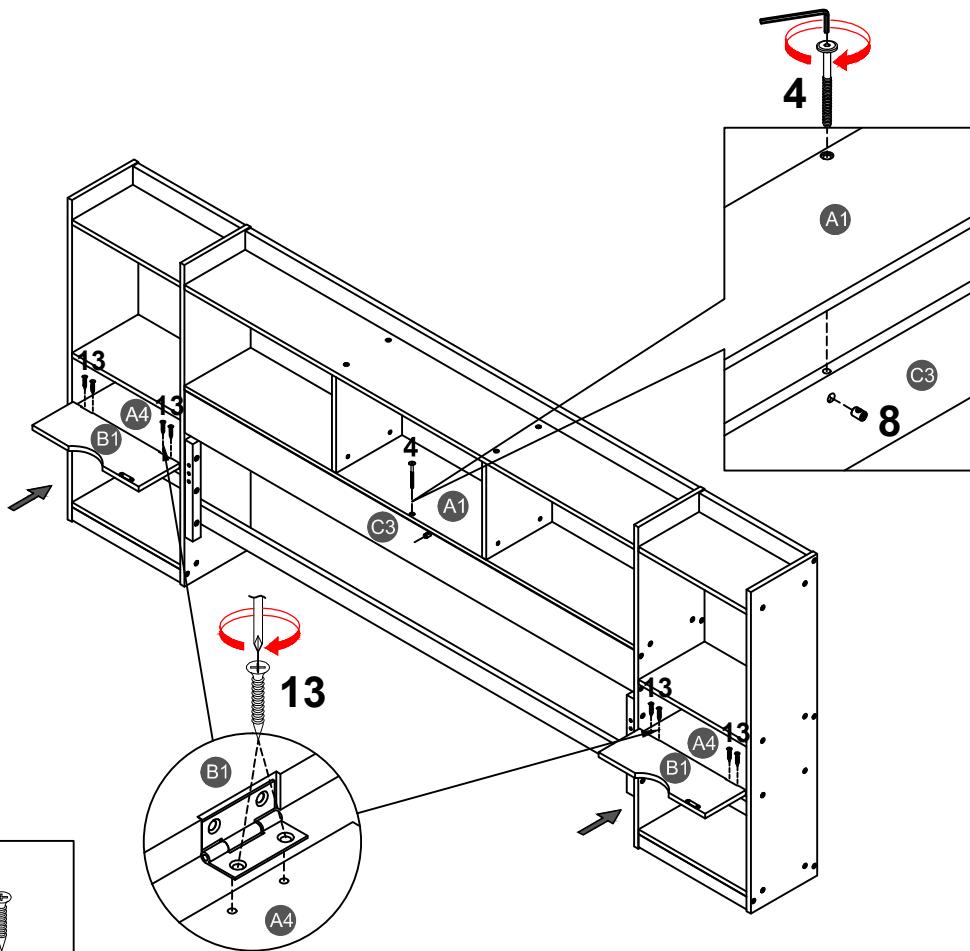





**STEP 8:**



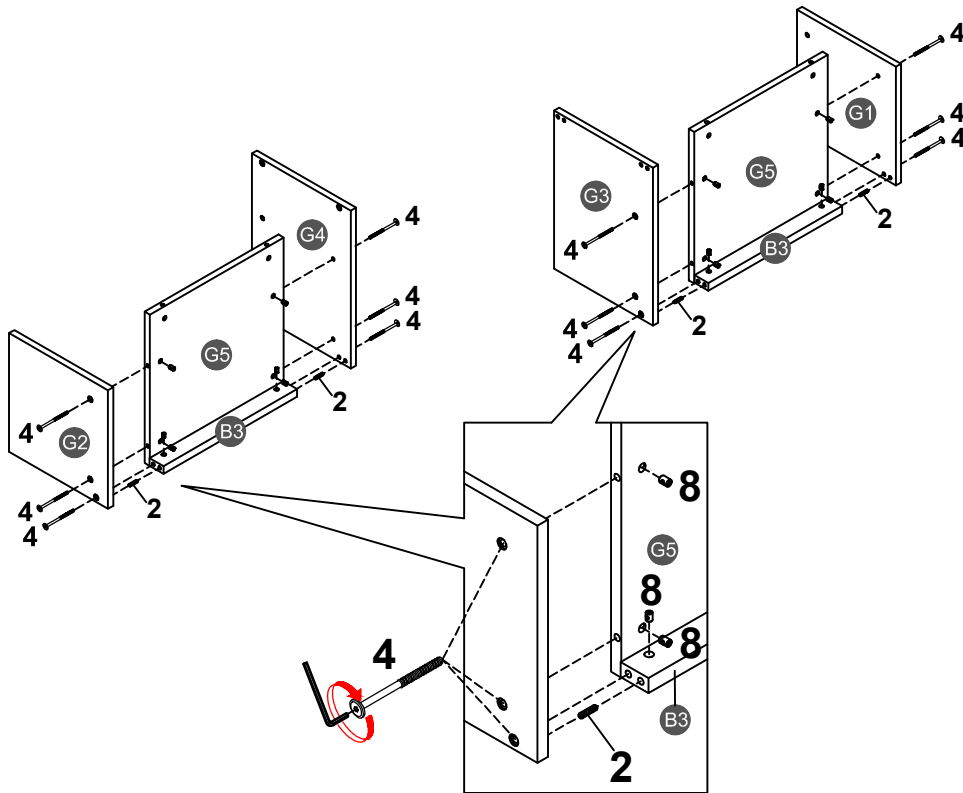
<b>14</b>	
<b>24PCS</b>	

**STEP 9:**



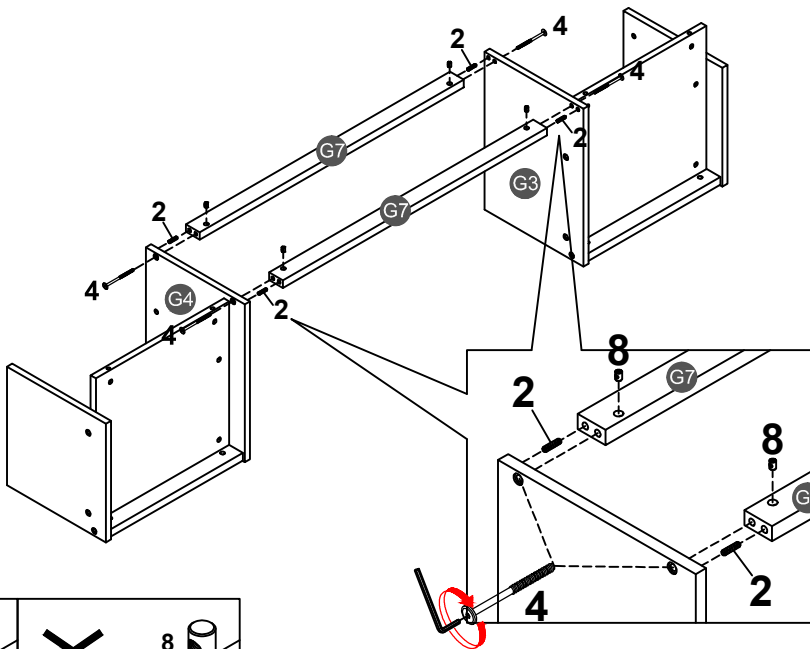
<b>4</b>		<b>13</b>	
<b>1PC</b>		<b>8PCS</b>	
<b>8</b>			
<b>1PC</b>			

**STEP 10:**

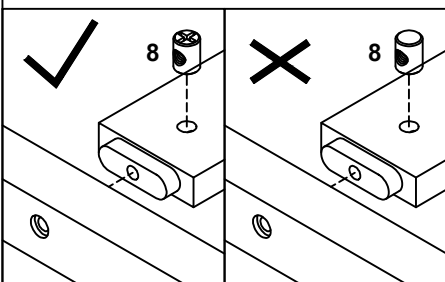


2	
4PCS	
4	
12PCS	
8	
12PCS	

**STEP 11:**

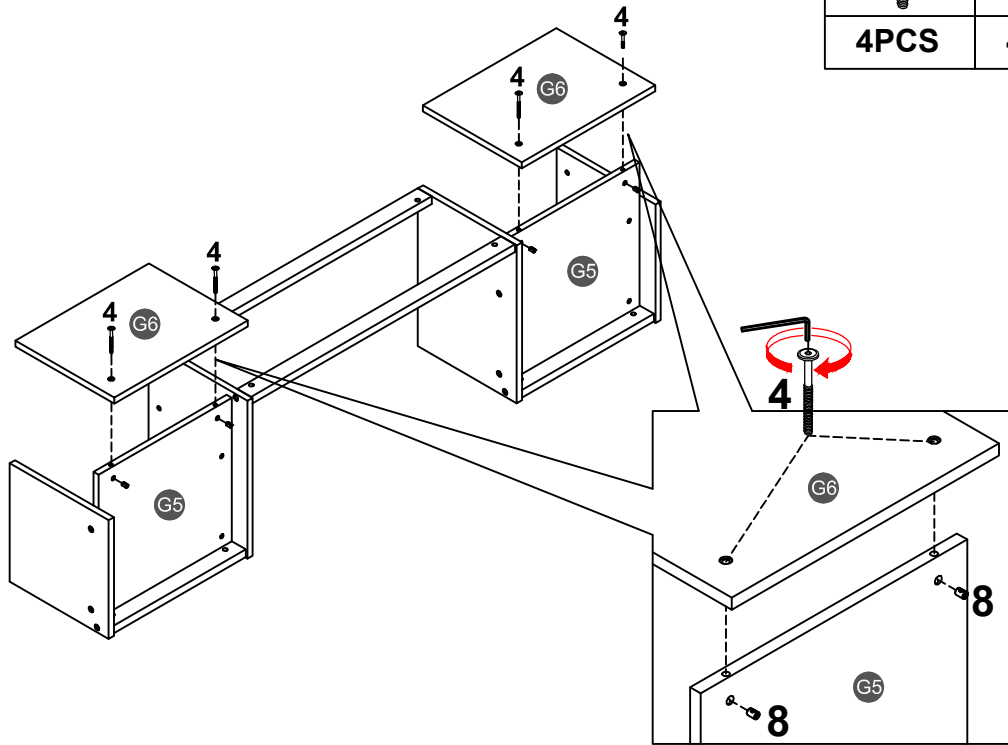




2		4	
4PCS		4PCS	
8		4PCS	



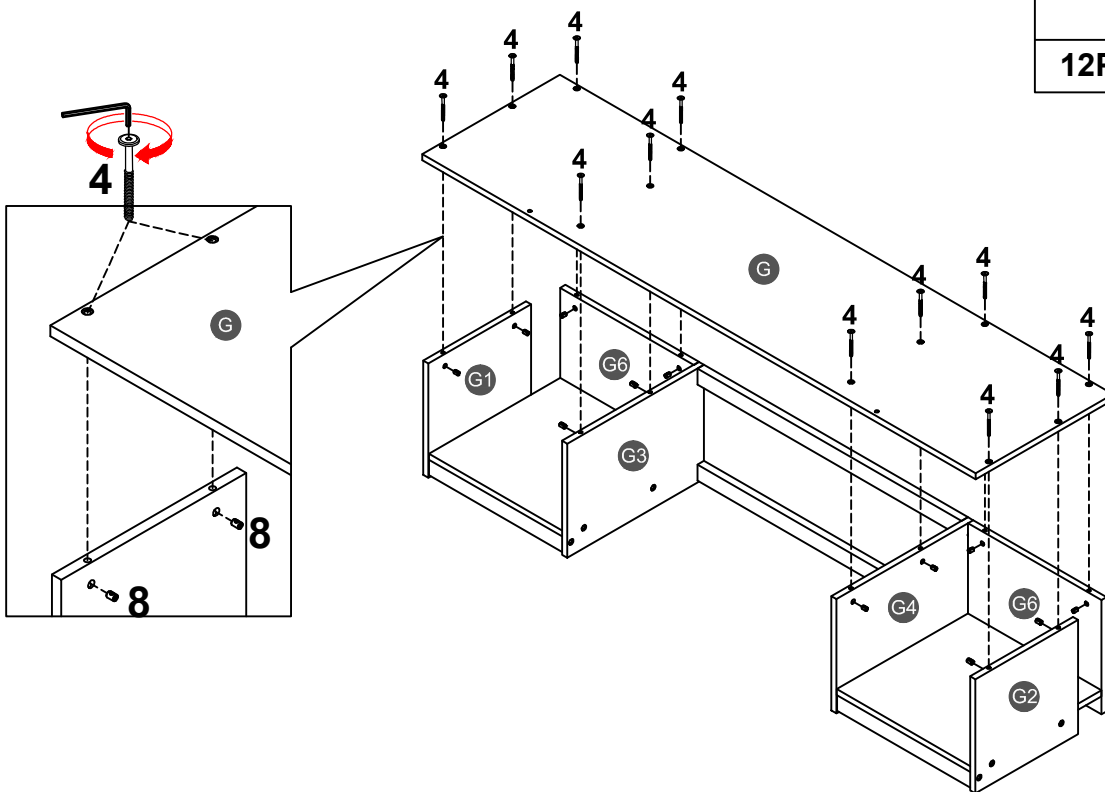
Note: Part 8 will face up with the "x" mark on it, otherwise it cannot be tightened



**STEP 12:**




<b>4</b>		<b>8</b>	
<b>4PCS</b>		<b>4PCS</b>	

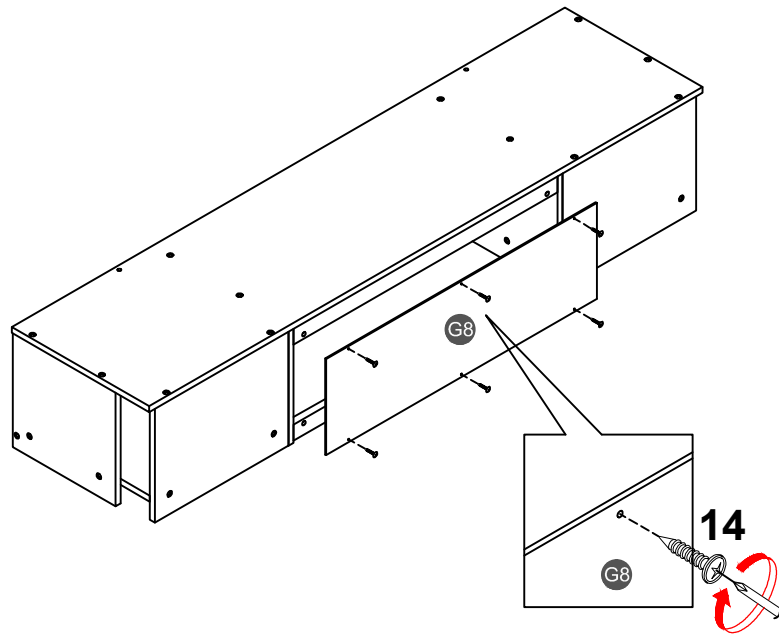
**STEP 13:**






<b>4</b>		<b>8</b>	
<b>12PCS</b>		<b>12PCS</b>	

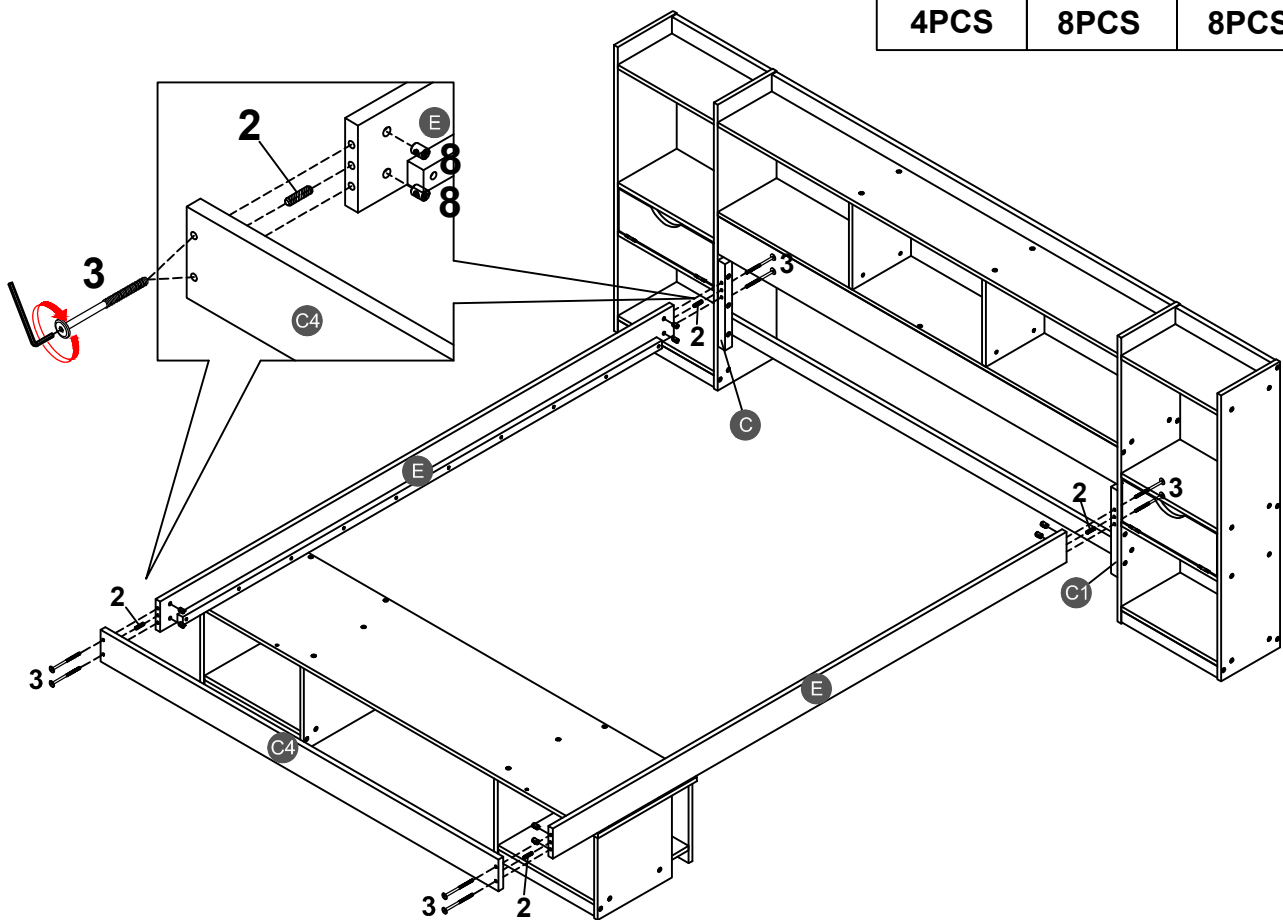
**STEP 14:**

<b>14</b>

<b>6PCS</b>

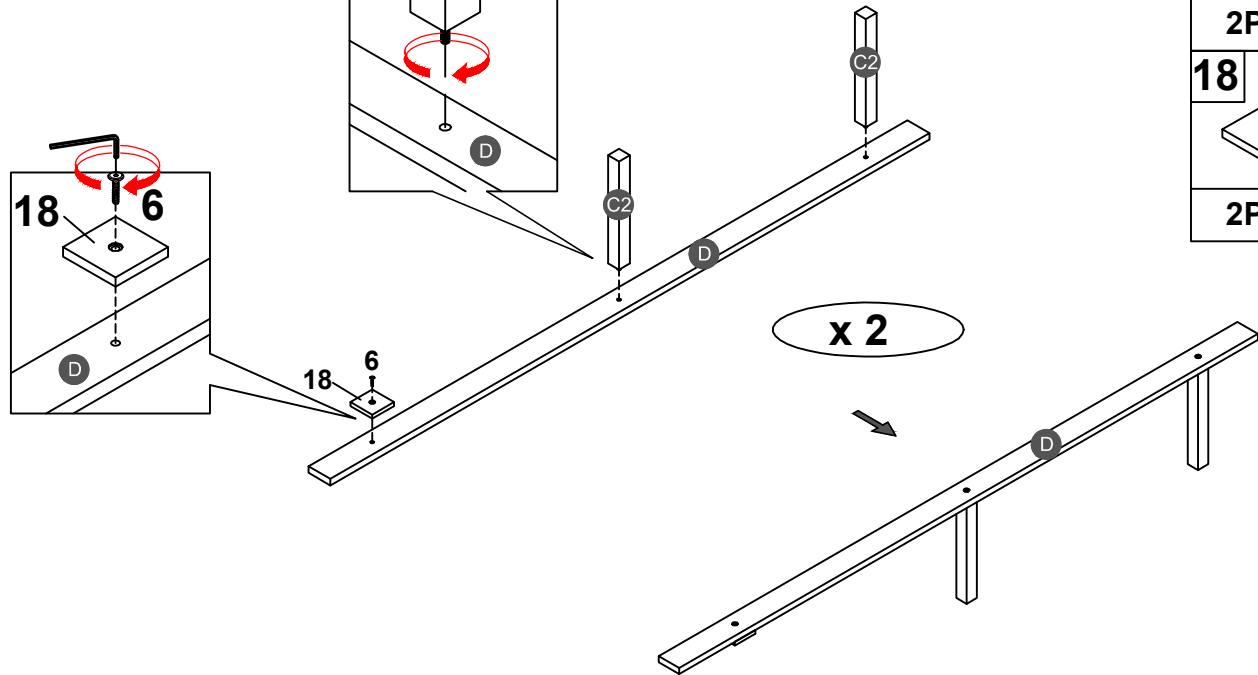


**STEP 15:**

<b>2</b>	<b>3</b>	<b>8</b>
		
<b>4PCS</b>	<b>8PCS</b>	<b>8PCS</b>



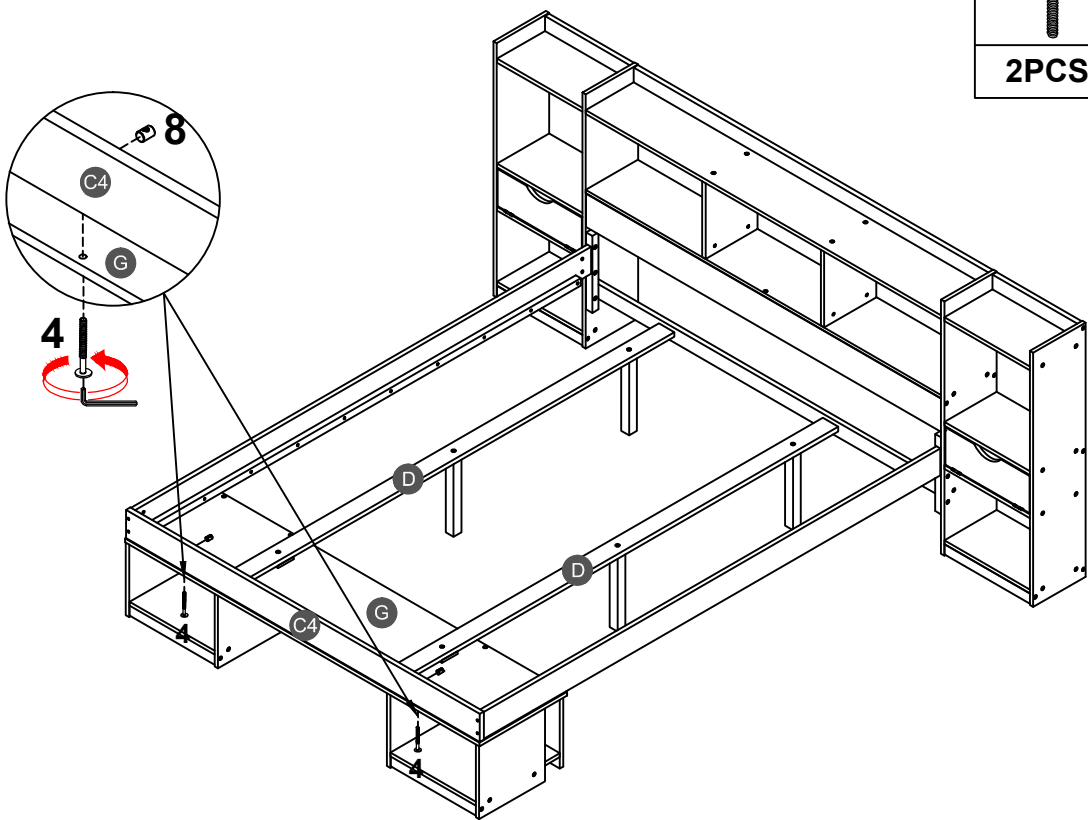
**STEP 16:**



<b>6</b>	
	<b>2PCS</b>
<b>18</b>	
	<b>2PCS</b>


Assembling leg support (C2) with lower support slat (D) later rotate, Move support slat inside Queen bed.

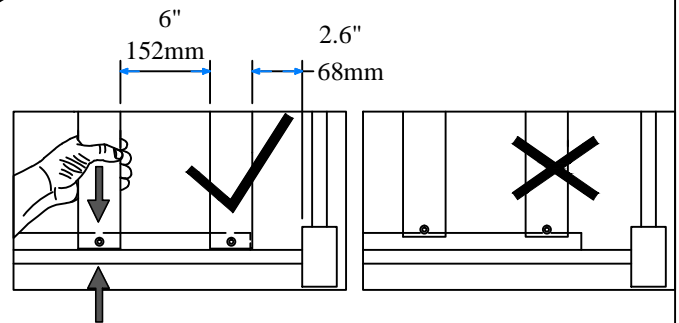
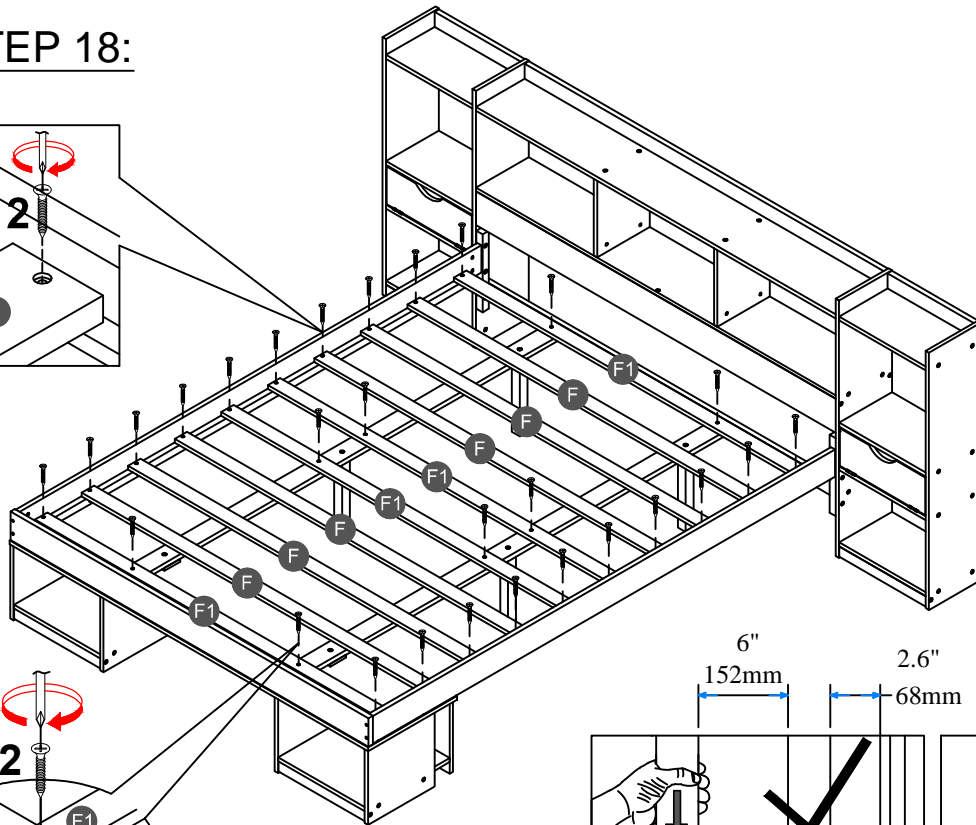
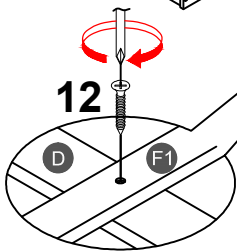
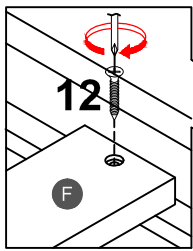
**STEP 17:**



<b>4</b>		<b>8</b>	
	<b>2PCS</b>		<b>2PCS</b>




### STEP 18:

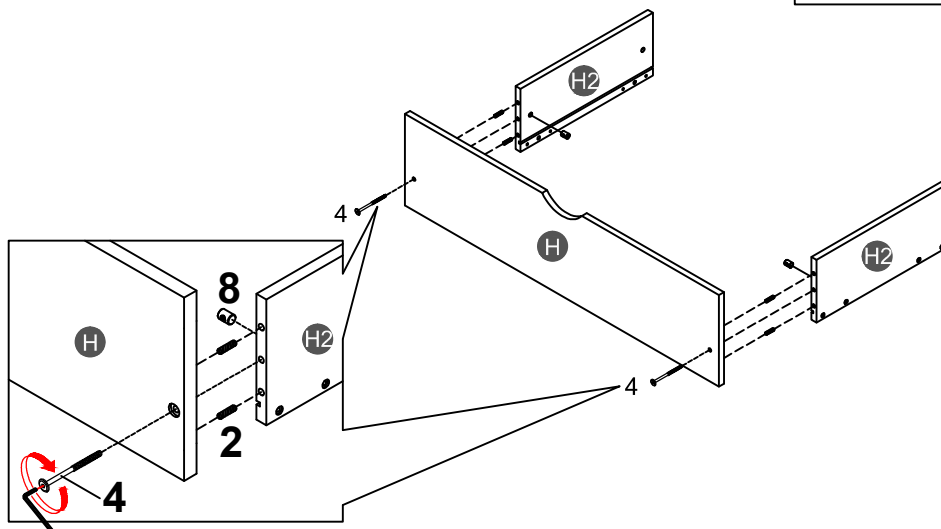
<b>12</b>	
<b>28PCS</b>	






**NOTE:** Please make sure the bed slats close to the side rail before locking the screws to avoid breakage. This step is required for both the left and right sides. Moreover, please do not lock the screws of the bed slats at the outermost edge to avoid damaging.

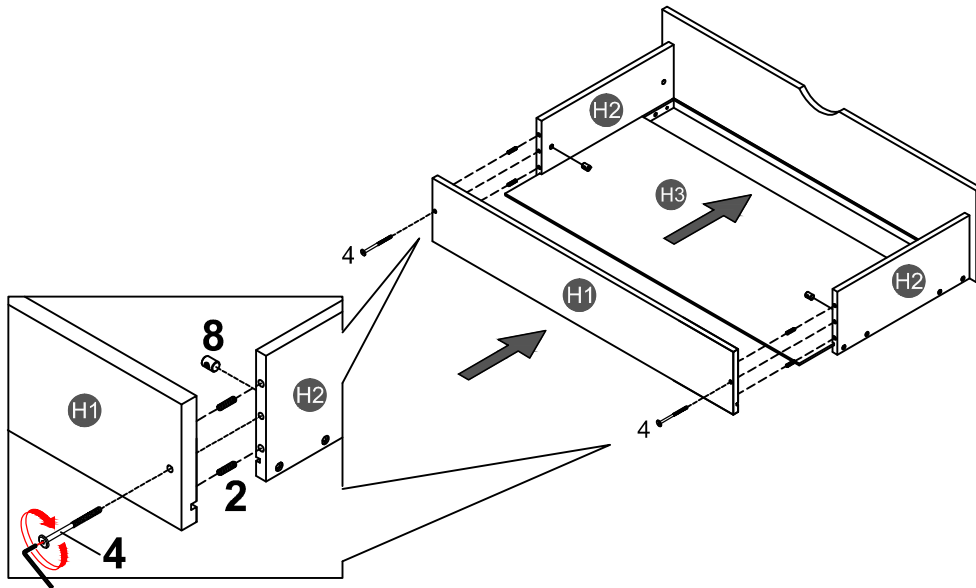
### STEP 19:

<b>2</b>		<b>4</b>		<b>8</b>	
<b>4PCS</b>		<b>2PCS</b>		<b>2PCS</b>	






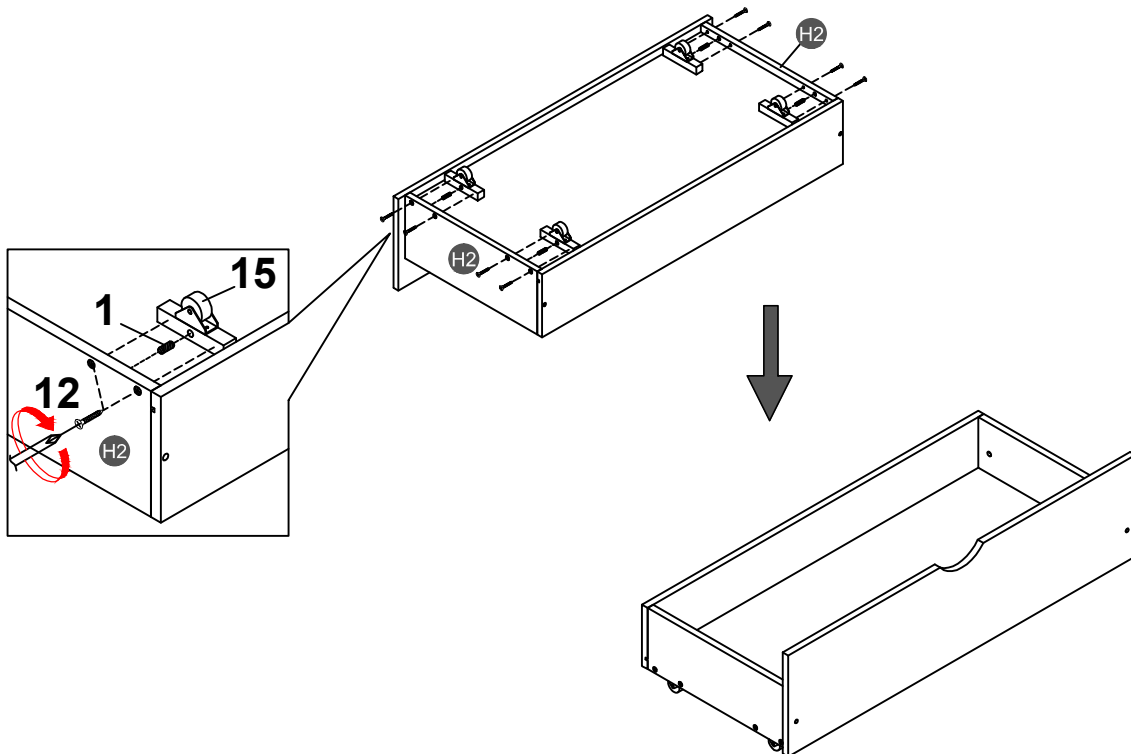
**STEP 20:**

<b>2</b>		<b>4</b>		<b>8</b>	
<b>4PCS</b>		<b>2PCS</b>		<b>2PCS</b>	

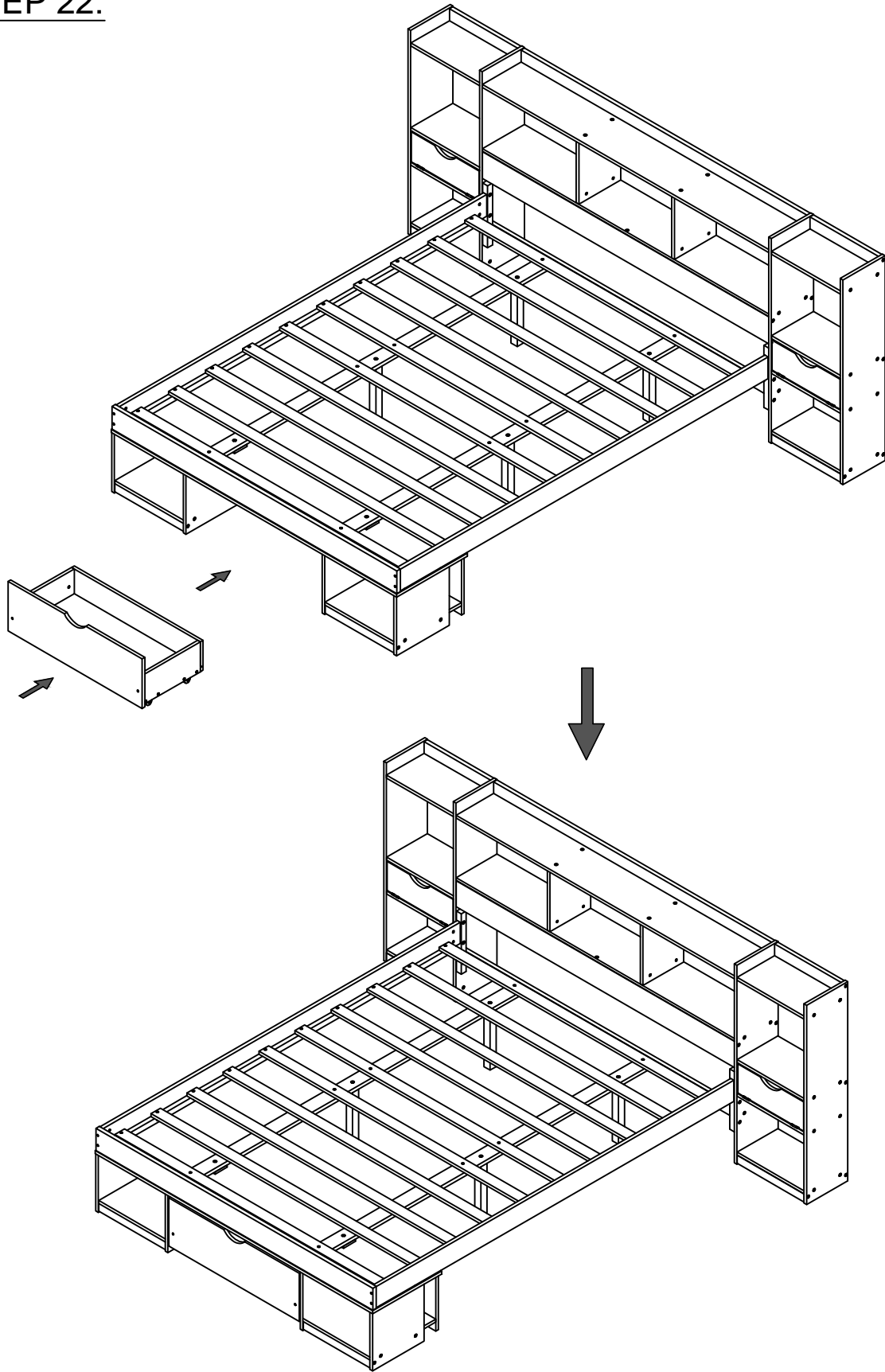


**STEP 21:**

<b>1</b>		<b>12</b>		<b>15</b>	
<b>4PCS</b>		<b>8PCS</b>		<b>4PCS</b>	



**STEP 22:**



**Make sure to tighten all the screws of the bed.**