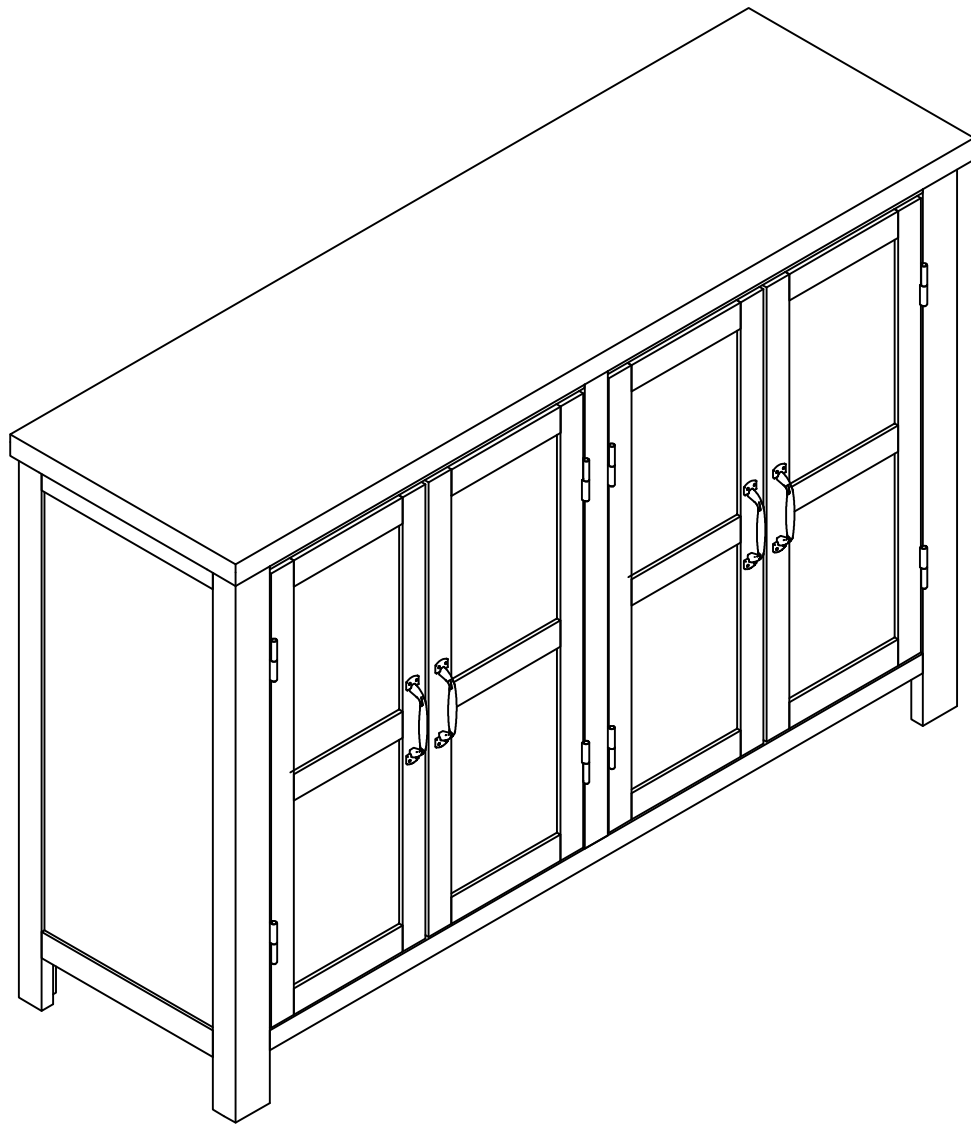


ASSEMBLY INSTRUCTION



ASSEMBLY INSTRUCTION

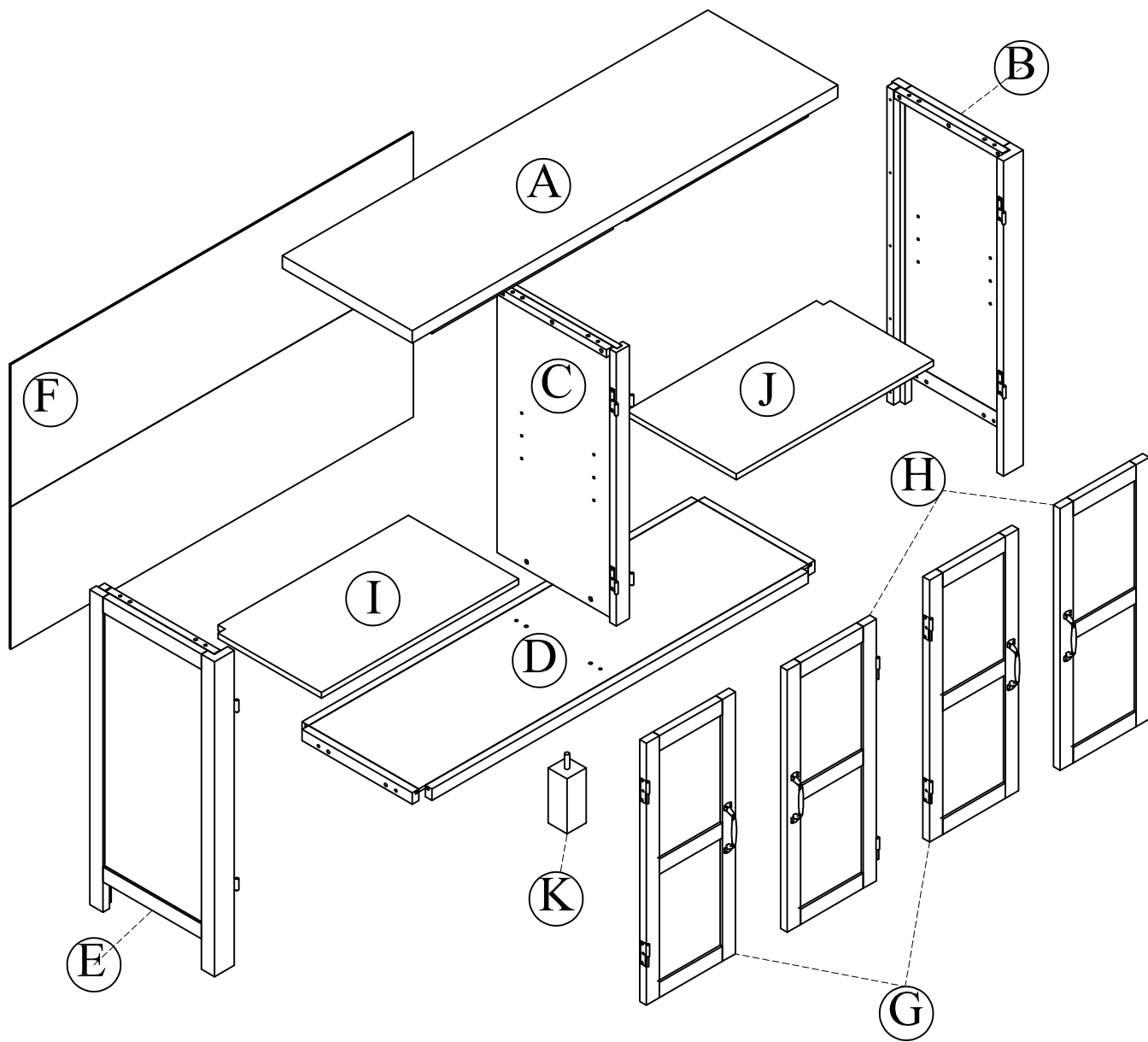
Please read these instructions fully before starting assembly:

1. Place all wooden parts on a clean and smooth surface such as a rug or carpet to avoid scratching the parts.
2. Kindly follow the assembly instructions step by step.
3. Do not tighten all screws and bolts until the table is fully assembled.
4. Unscrew the protective plastic supports from the metal insert of the table legs before assembly.
5. Parts of the assembly will be easier with 2 people.

Care and maintenance:

Only clean using a damp cloth and mild detergent, do not use bleach or abrasive cleaners.

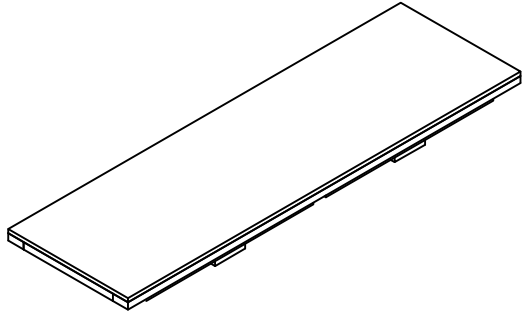
ASSEMBLY INSTRUCTION



ASSEMBLY INSTRUCTION

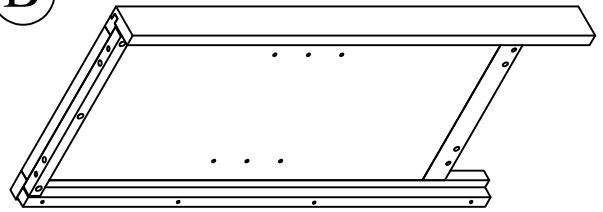
Part List

(A)



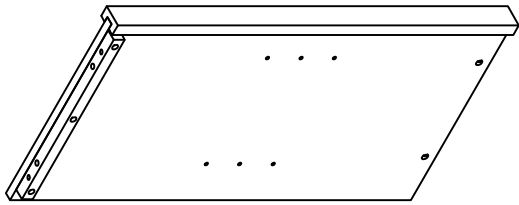
TOP = 1PC

(B)



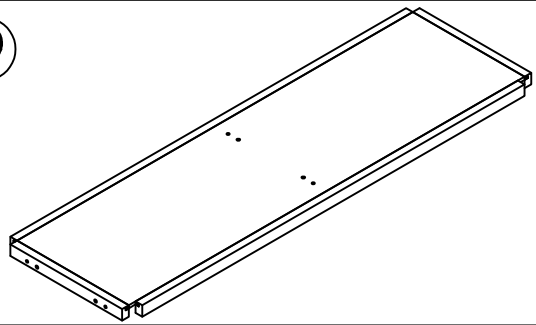
RIGHT SIDE PANEL = 1PC

(C)



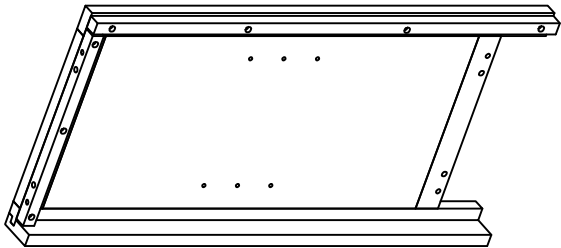
MIDDLE PANEL = 1PC

(D)



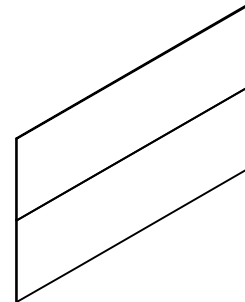
BOTTOM = 1PC

(E)



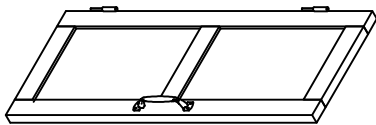
RIGHT SIDE PANEL = 1PC

(F)



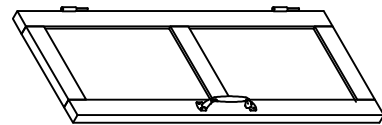
BACK PANEL = 1PC

(G)



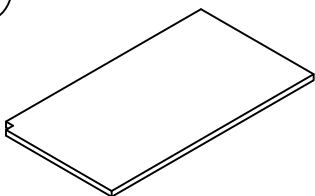
LEFT DOORS = 2PCS

(H)



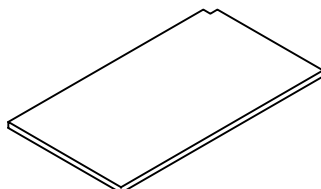
RIGHT DOORS = 2PCS

(I)



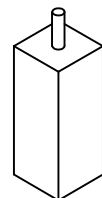
LEFT SHELF = 1PC

(J)



RIGHT SHELF = 1PC

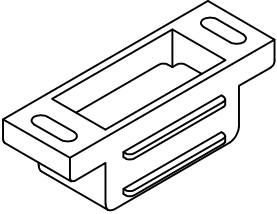
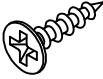
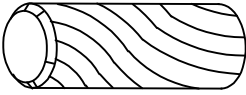
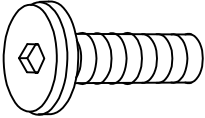
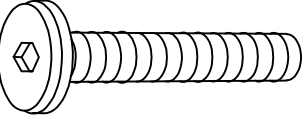
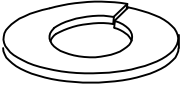

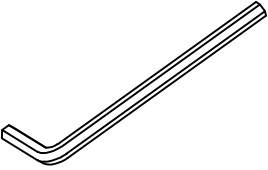

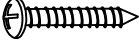


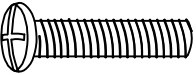
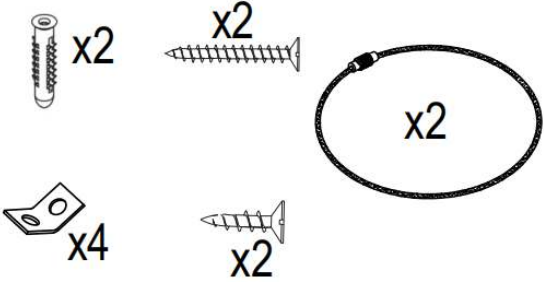
(K)



SUPPORT LEG = 1PC

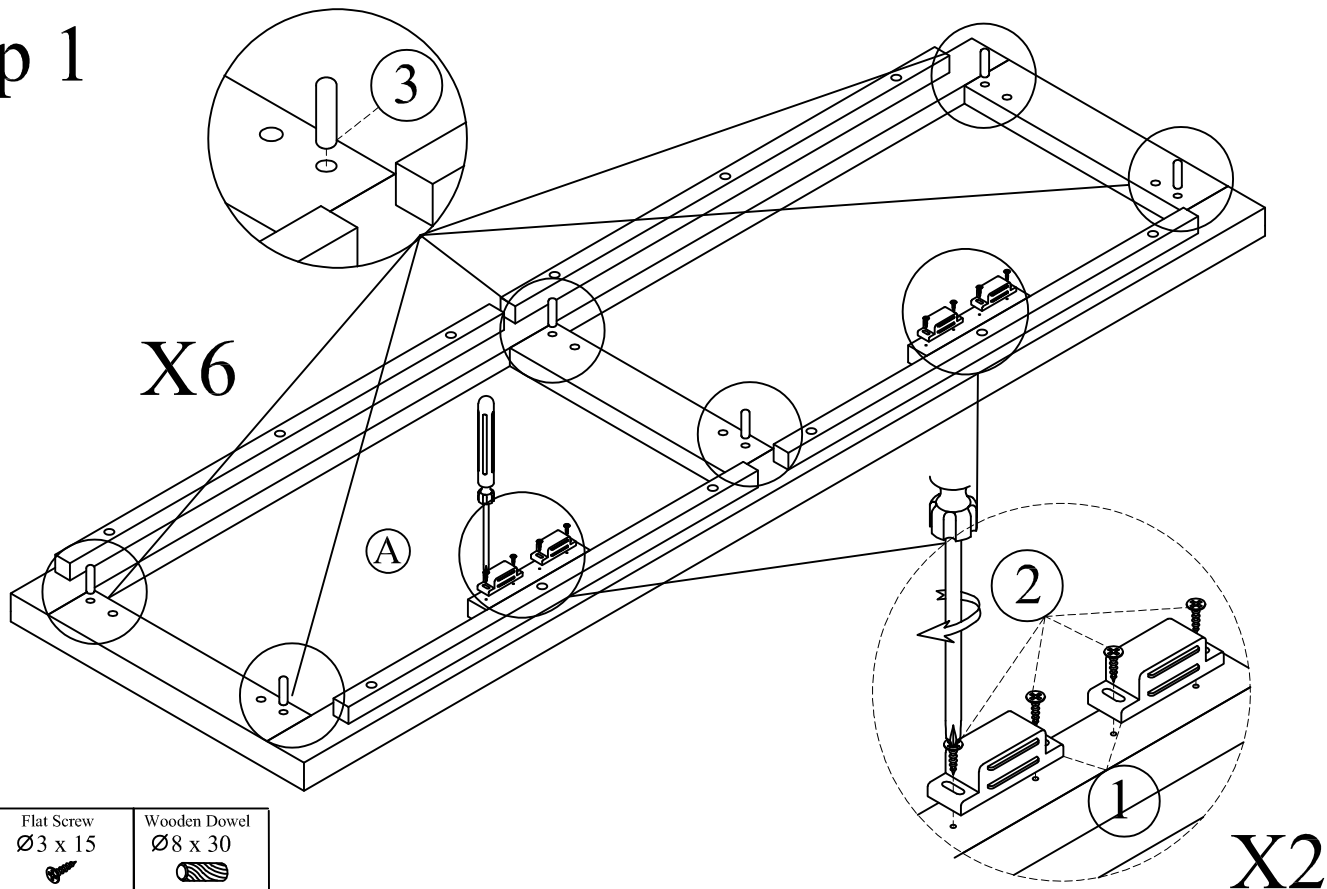
ASSEMBLY INSTRUCTION

Hardware List

<p>①</p> 	<p>②</p> 	<p>③</p> 	<p>④</p> 
<p>Magnetic Door Catch =4PCS</p>	<p>Screw M3X 15 =8PCS</p>	<p>Wooden Dowel=12PCS</p>	<p>BOLT 1/4" X 30 =10PCS</p>
<p>⑤</p> 	<p>⑥</p> 	<p>⑦</p> 	<p>⑧</p> 
<p>BOLT 1/4" X 55 =2PCS</p>	<p>SPRING WASHER =12PCS</p>	<p>FLAT WASHER =12PCS</p>	<p>Allen Key = 1 PC</p>
<p>⑨</p> 	<p>⑩</p> 	<p>⑪</p> 	<p>⑫</p> 
<p>T Nut=2PCS</p>	<p>Mushroom screw 3 x 15=30PCS</p>	<p>Pin Support Shelf=8PCS</p>	<p>HANDLE=4PCS</p>
<p>⑬</p> 	<p>⑭</p> 		
<p>BOLT OF HANDLE M4 X20=8PCS</p>	<p>ANTITIP KIT =2SETS</p>		

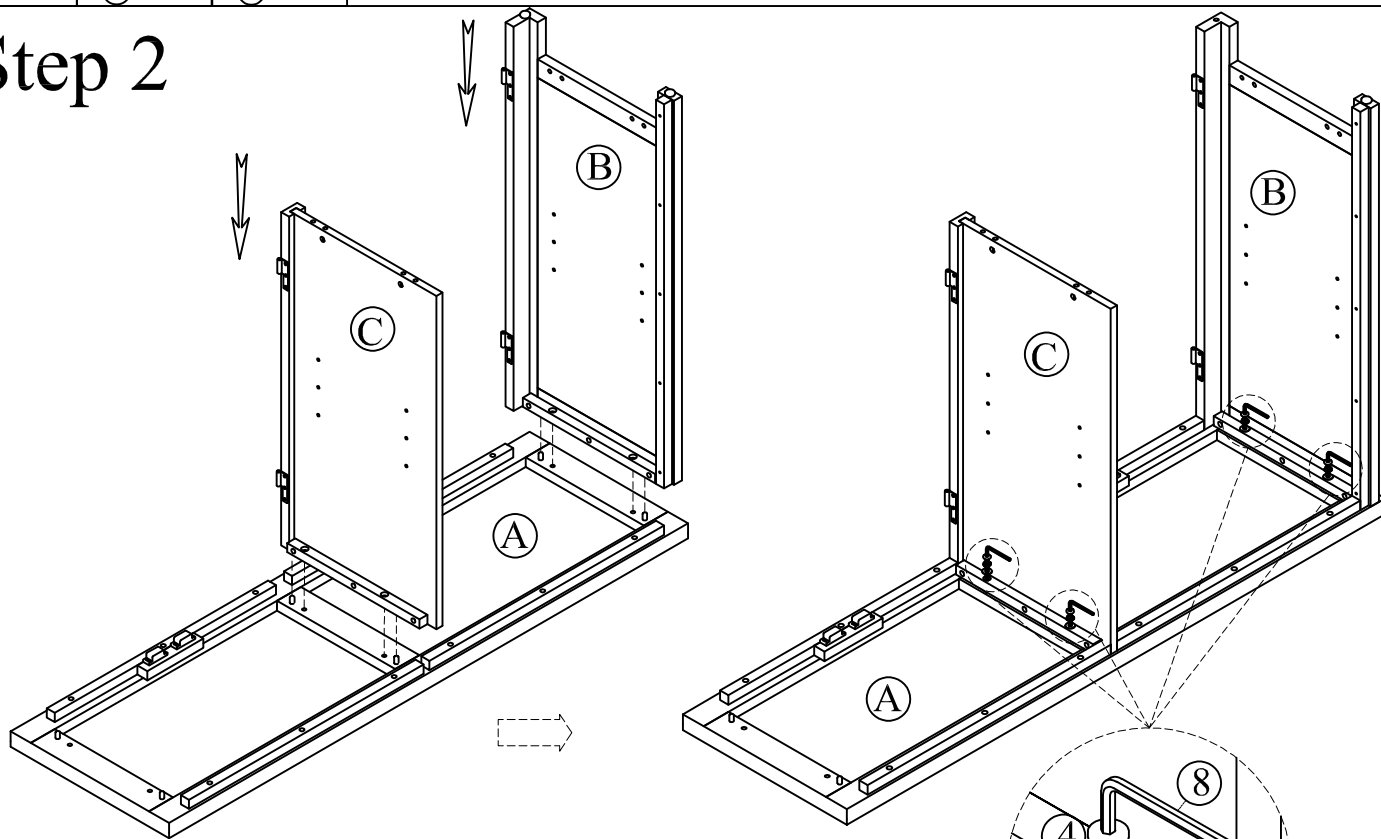
ASSEMBLY INSTRUCTION

Step 1



Magnetic Door ① x 4	Flat Screw Ø3 x 15 ② x 8	Wooden Dowel Ø8 x 30 ③ x 6
------------------------	--------------------------------	----------------------------------

Step 2



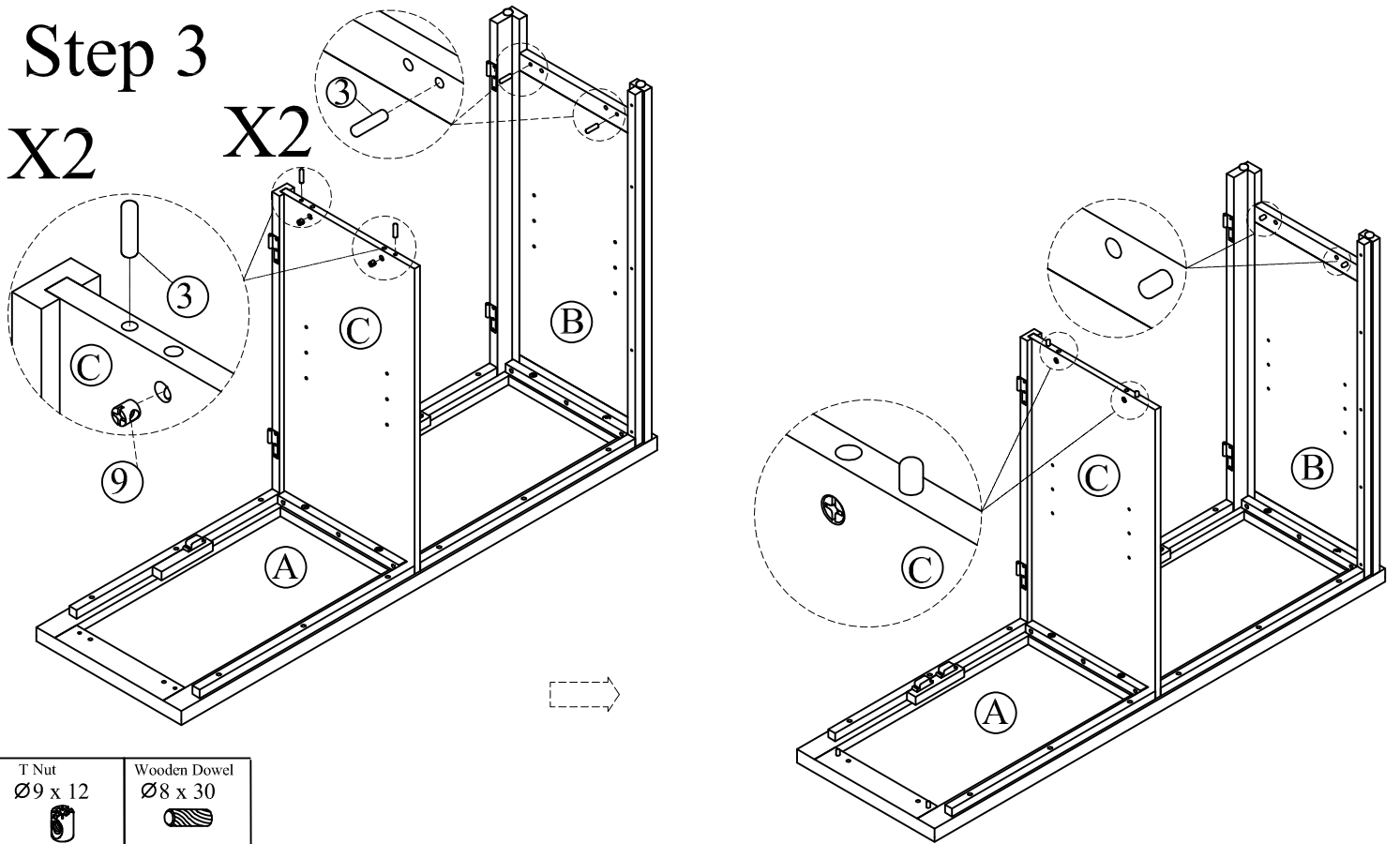
Bolt 1/4" x 30 ④ x 4	Spring washer Ø10 x Ø6 ⑥ x 4	Flat Washer Ø12 x Ø6 ⑦ x 4	Allen Key K4 x 80 ⑧ x 1
----------------------------	------------------------------------	----------------------------------	-------------------------------



ASSEMBLY INSTRUCTION

Step 3

X2

X2



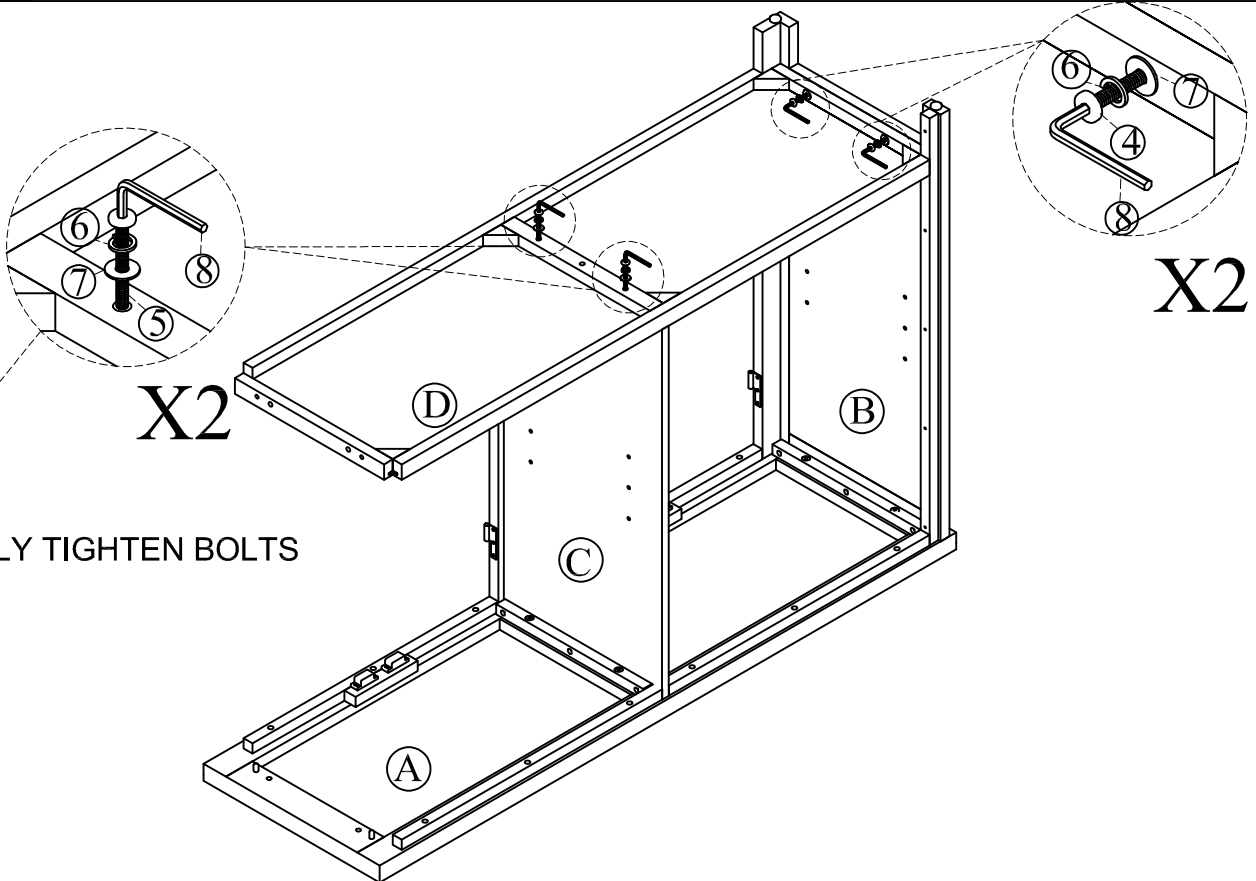
T Nut Ø9 x 12	Wooden Dowel Ø8 x 30
	
⑨ x 2	③ x 4






Step 4

X2

X2

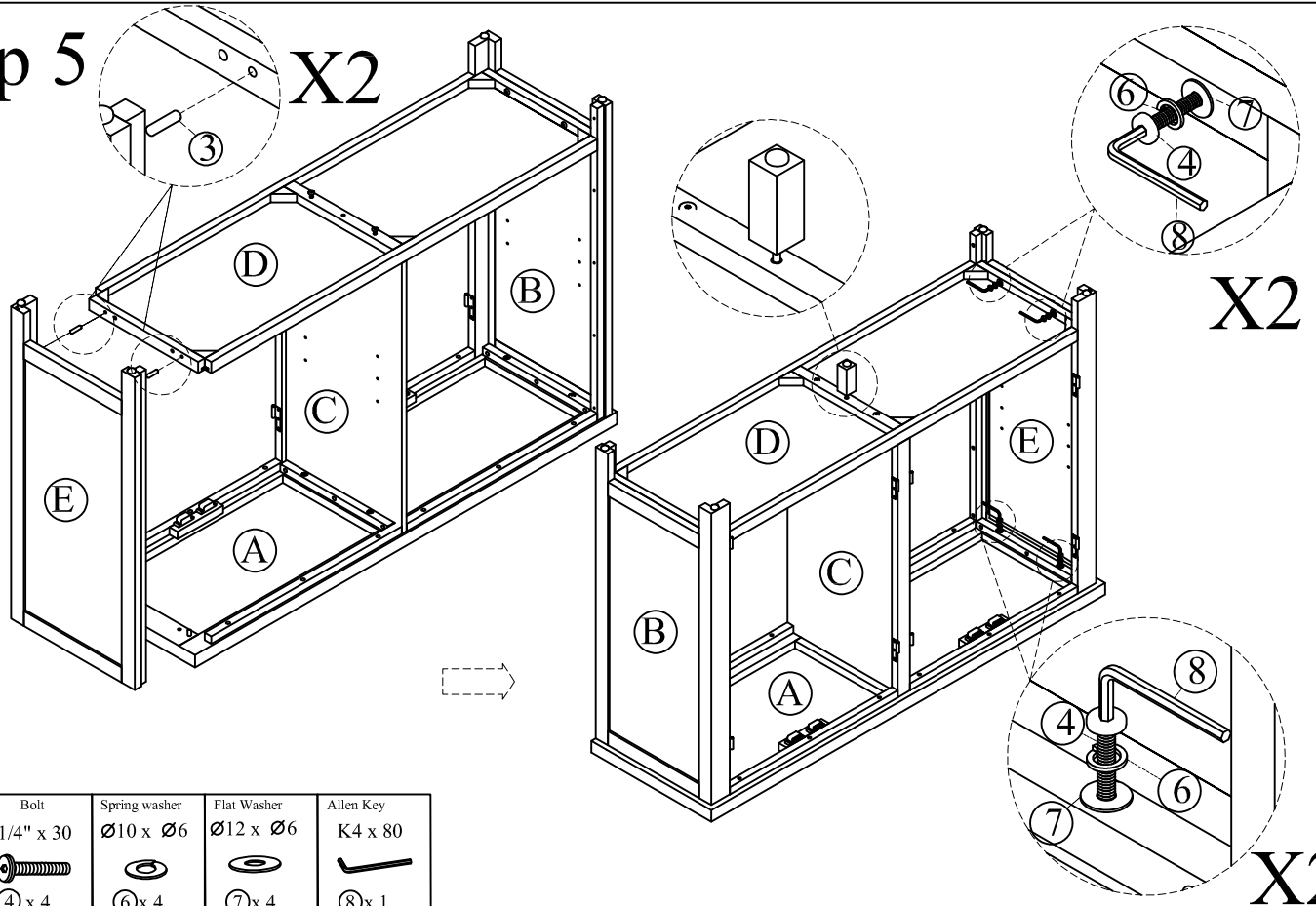
DO NOT FULLY TIGHTEN BOLTS
(50% ONLY)








Bolt 1/4" x 30	Bolt 1/4" x 55	Spring washer Ø10 x Ø6	Flat Washer Ø12 x Ø6	Allen Key K4 x 80
				
④ x 2	⑤ x 2	⑥ x 4	⑦ x 4	⑧ x 1

ASSEMBLY INSTRUCTION

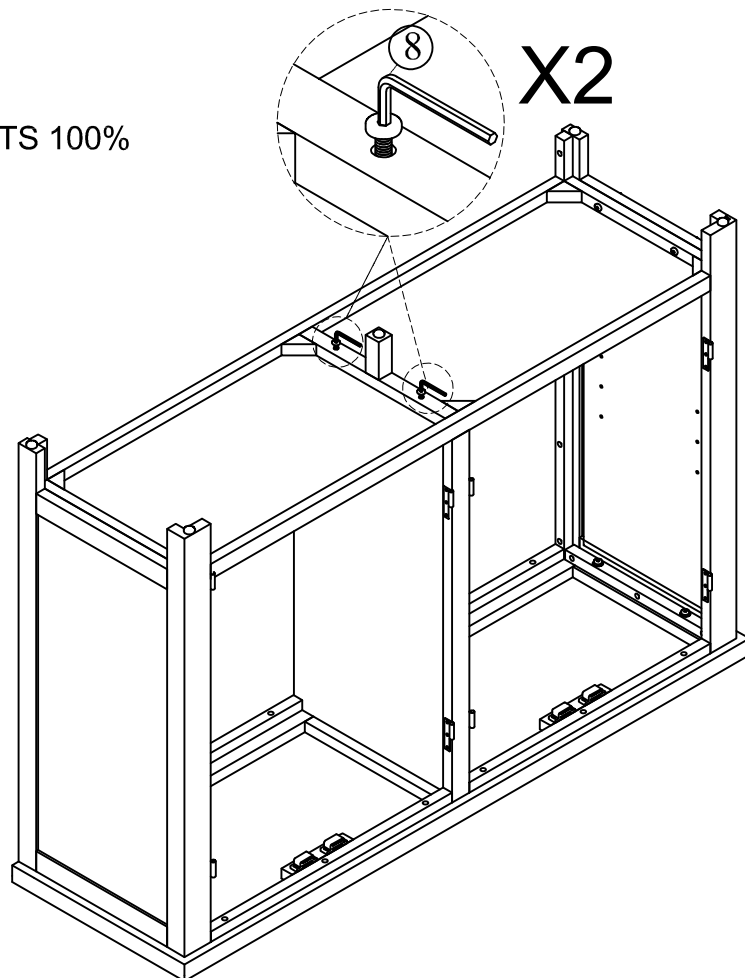
Step 5




Wooden Dowel	Bolt	Spring washer	Flat Washer	Allen Key
8 x 30	1/4" x 30	Ø10 x Ø6	Ø12 x Ø6	K4 x 80
				
③ x 2	④ x 4	⑥ x 4	⑦ x 4	⑧ x 1

Step 6

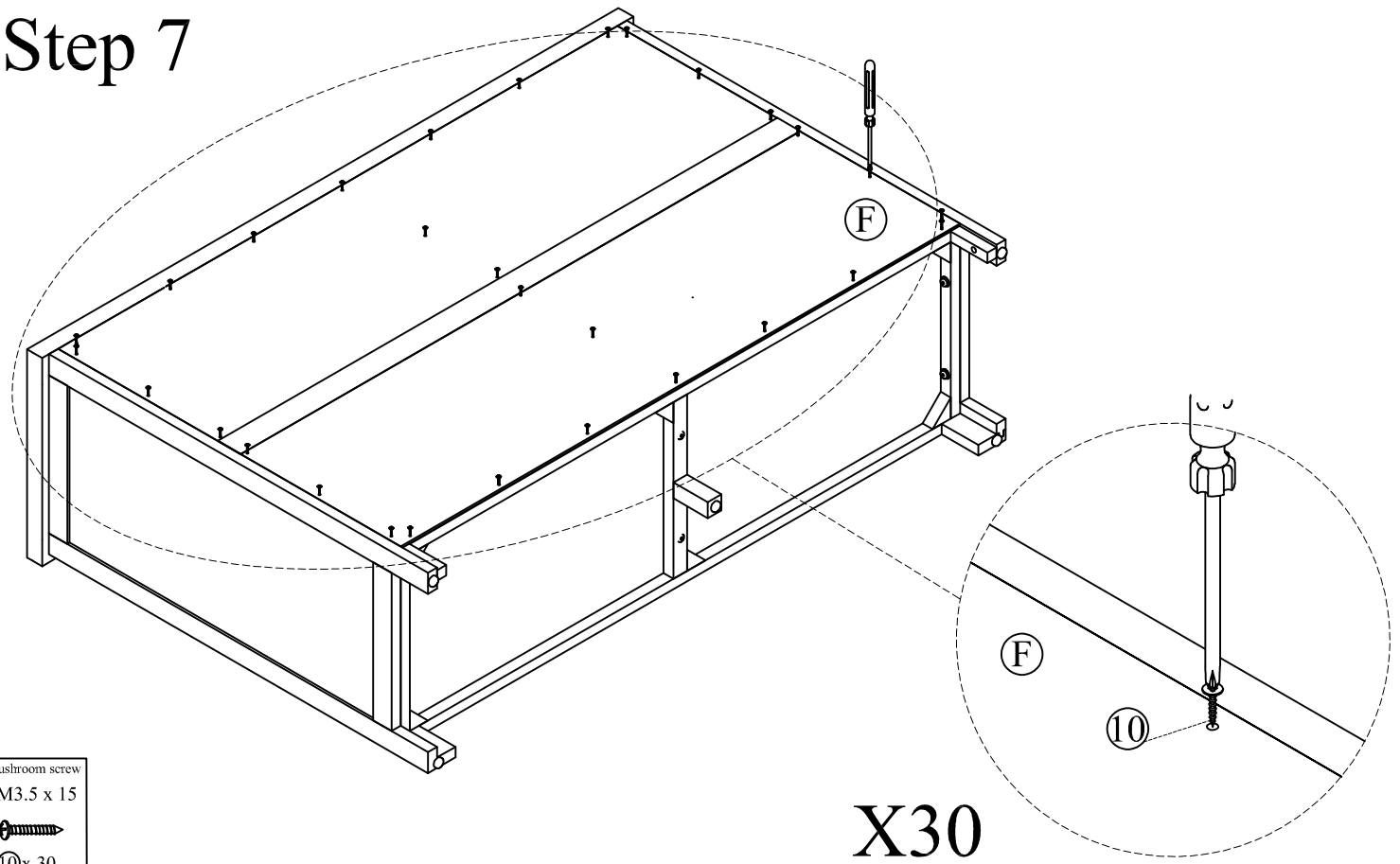
FULLY TIGHTEN ALL BOLTS 100%



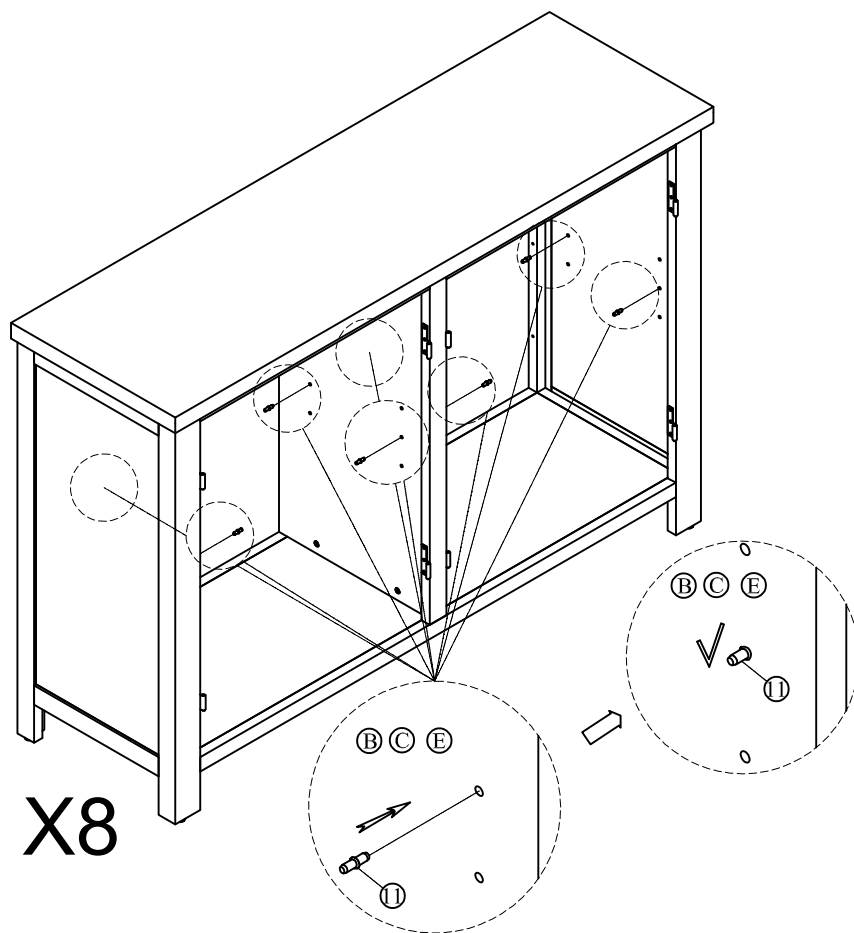
Allen Key
K4 x 80

⑧ x 1

ASSEMBLY INSTRUCTION

Step 7

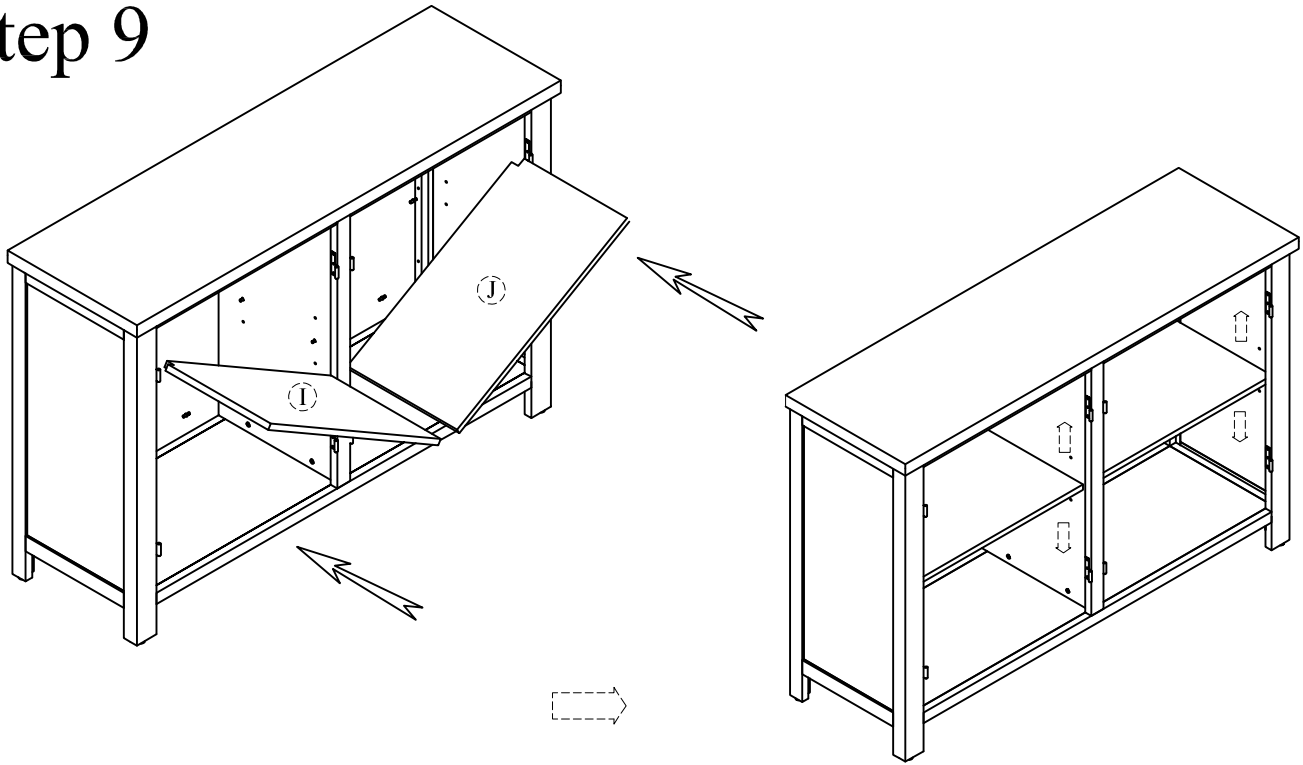


Step 8

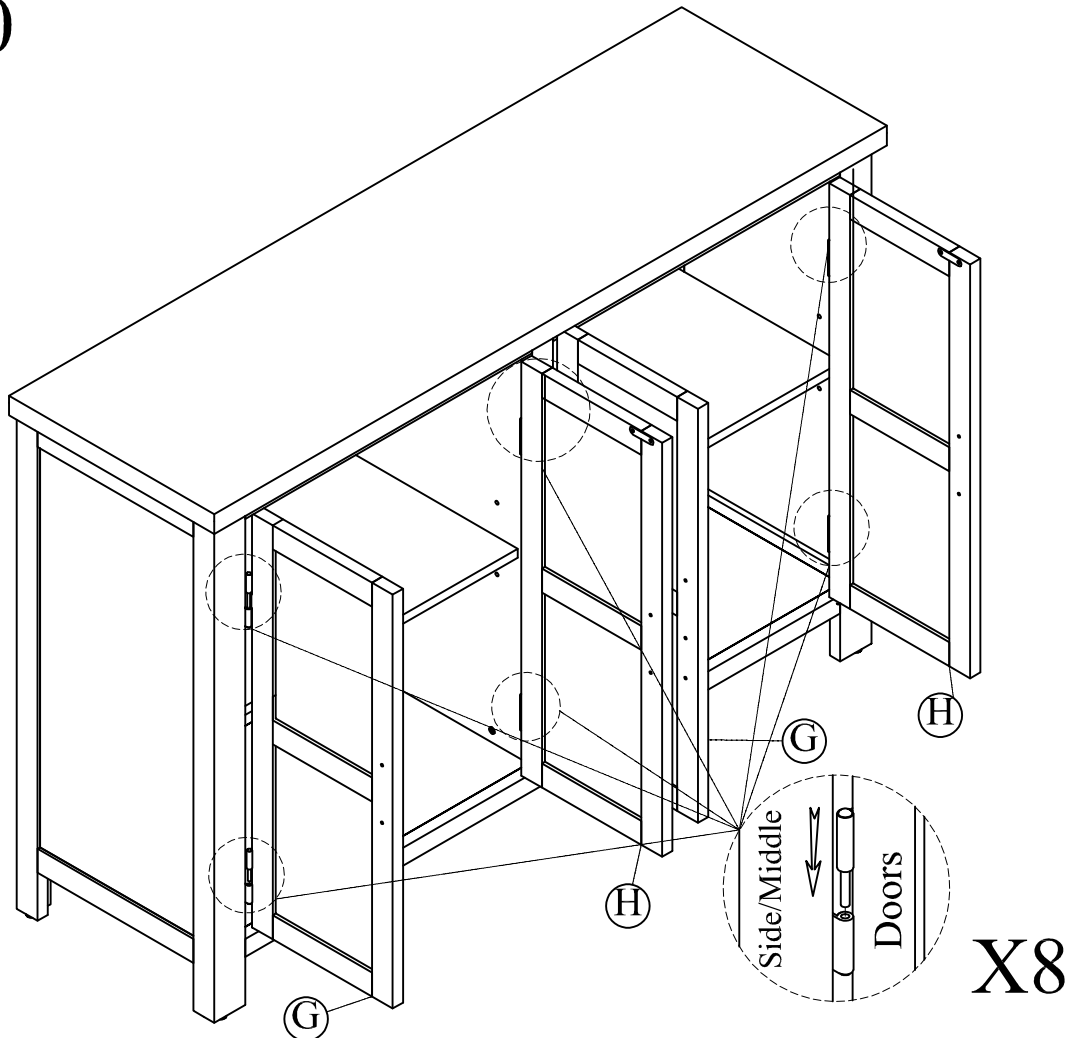


ASSEMBLY INSTRUCTION

Step 9

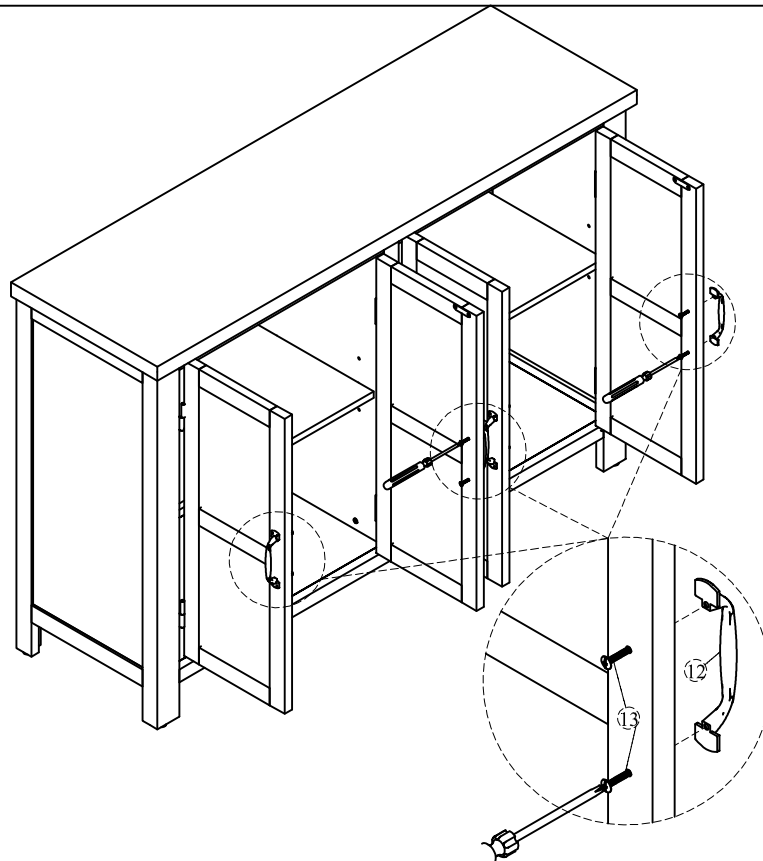




Step 10



ASSEMBLY INSTRUCTION

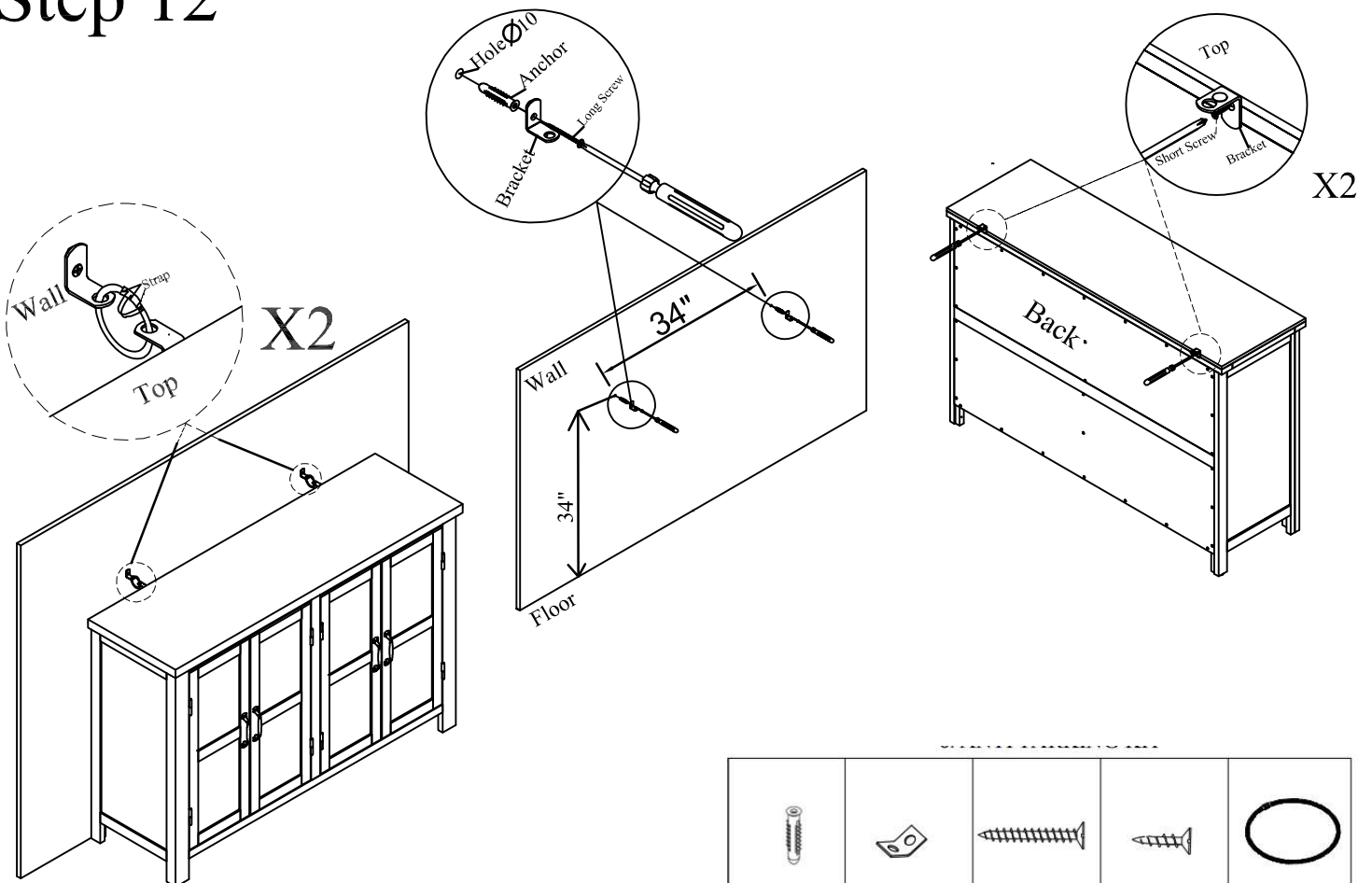
Step 11








Handle  ⑫x 4	Bolt of Handle M4 x 20  ⑬x 8
--	--

X4

Step 12



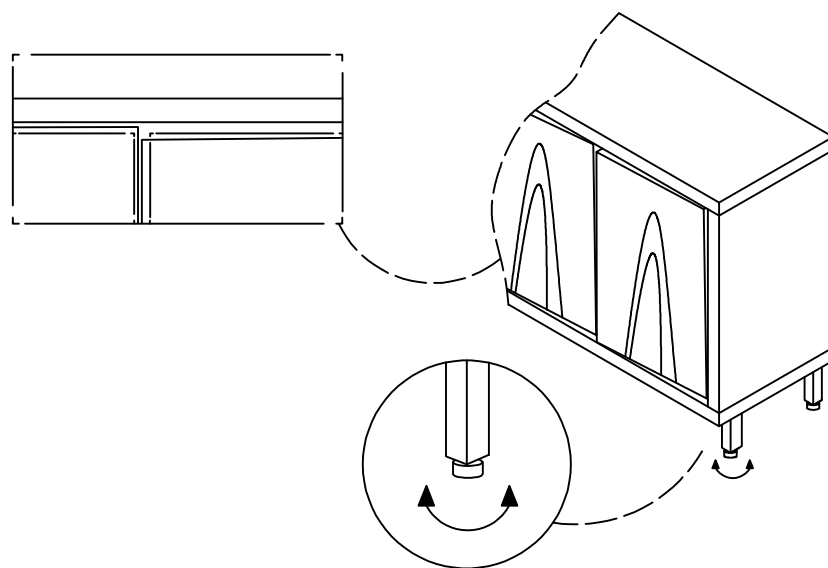
 2 pcs	 4 pcs	 2 pcs	 2 pcs	 2 pcs
--	---	--	--	--

ASSEMBLY INSTRUCTION

Is your cabinet door looking crooked or unevenly spaced?

If you're still having trouble lining everything up, your next step should be to try to adjust the feet slightly to square up the cabinet and doors. Follow the instructions below:

If the right door appears to be hanging low, you can adjust the adjustable leveler on the front right until the door is better aligned.



If the left door appears to be hanging low, you can adjust the adjustable leveler on the front left until the door is better aligned.

