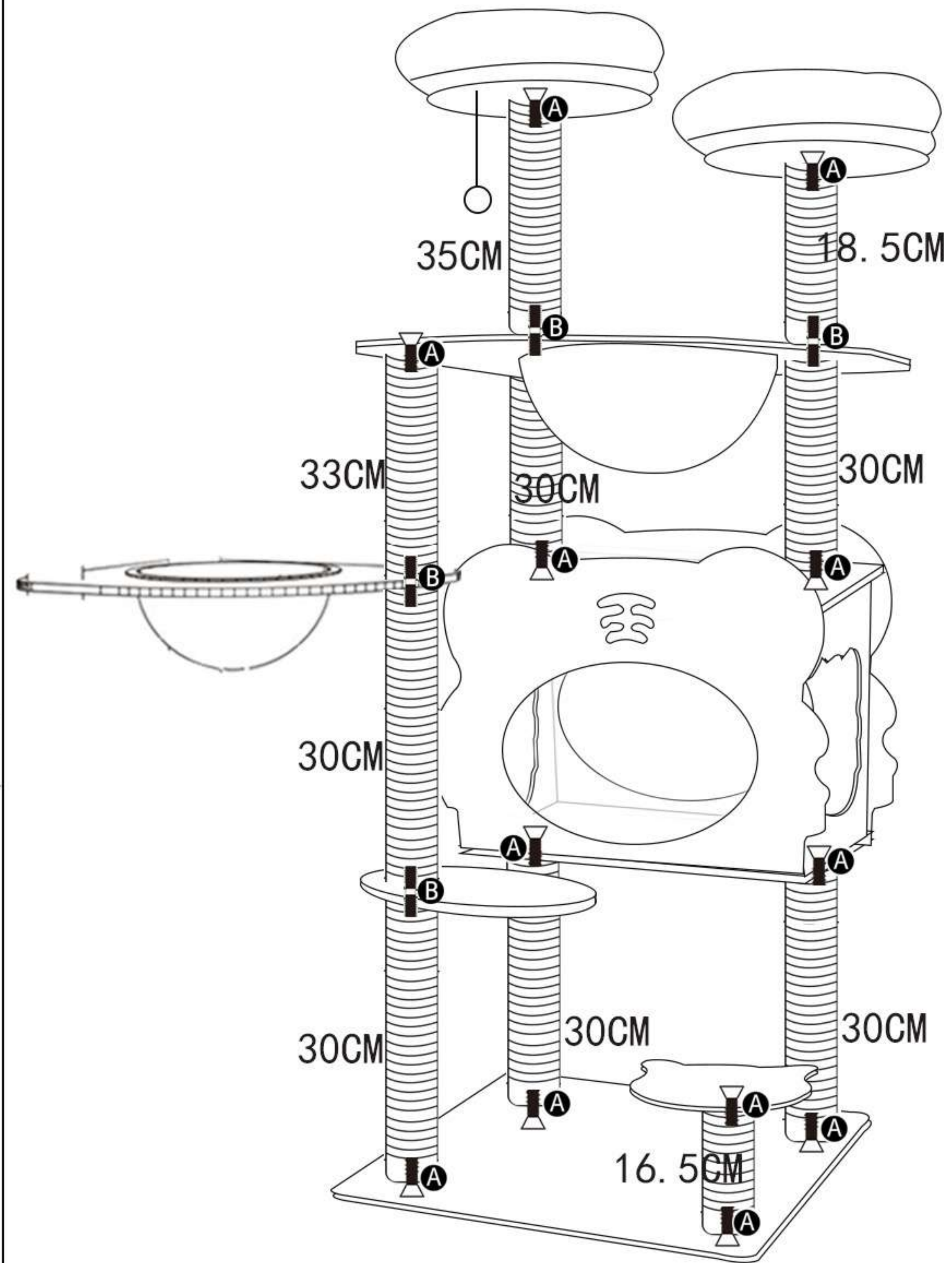


- | | | |
|--|-------|----------------|
| | | A 12PCS |
| | | B 4PCS |
| | | C 1PC |



B6

