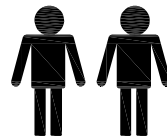
















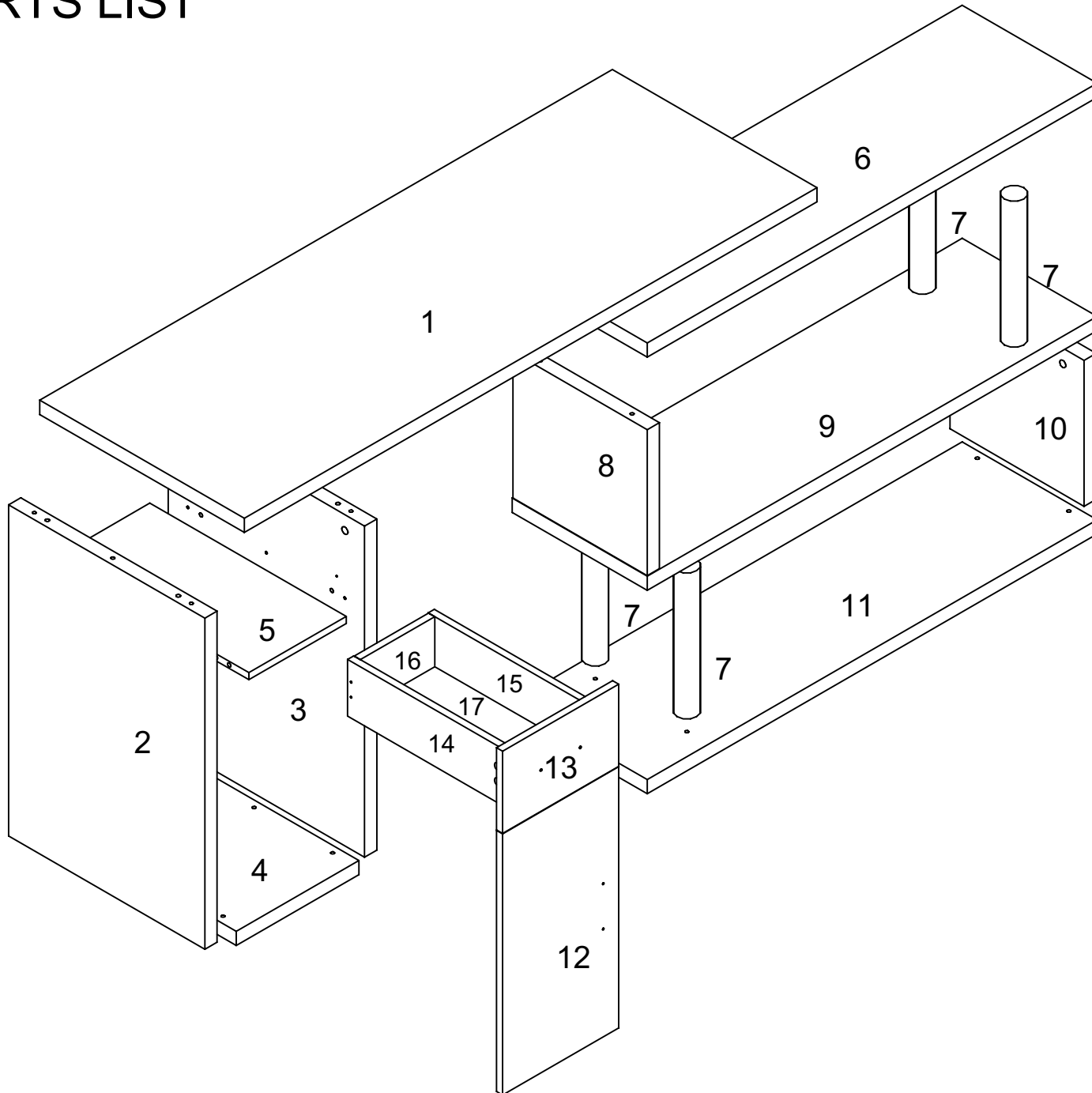


Hammer and Screwdriver
are not included !!



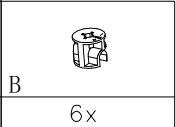
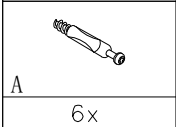
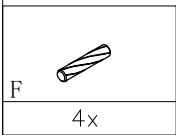
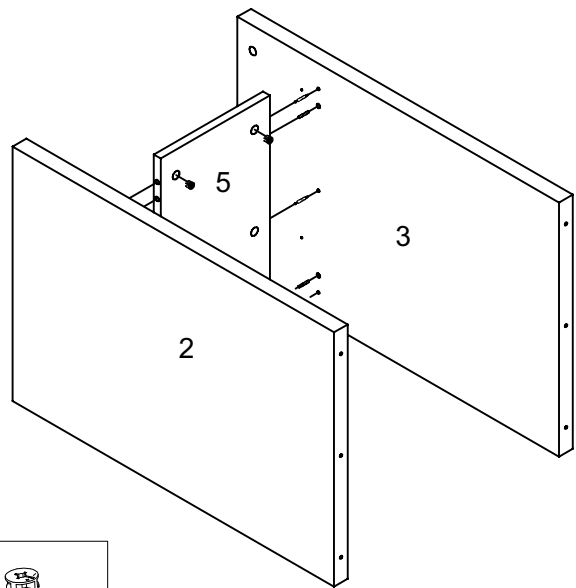
NO.	QTY.	LINEDRAWING
(A)	20	
(B)	20	
(C)	10	 7x50
(D)	1	
(E)	2	
(F)	8	
(G)	20	 3.5x14
(H)	1	
(I)	10	
(J)	4	 3.5x35
(K)	2	
(L)	4	
(M)	4	
(N)	4	
(O)	4	 18mm
(P)	1	

PARTS LIST

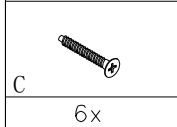
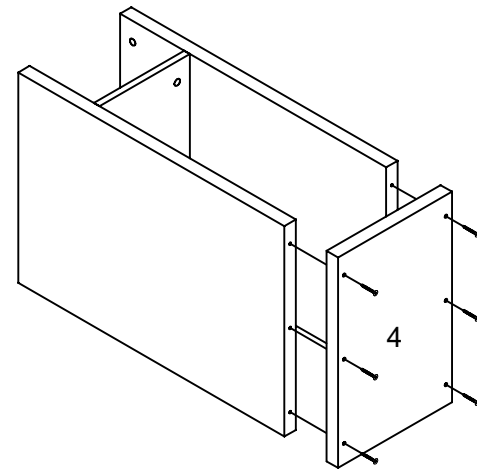


NO.	QTY.
①	1
②	1
③	1
④	1
⑤	4
⑥	1
⑦	4
⑧	1
⑨	1
⑩	1
⑪	1
⑫	1
⑬	1
⑭	1
⑮	1
⑯	1
⑰	1

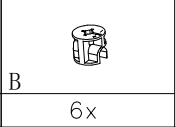
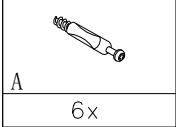
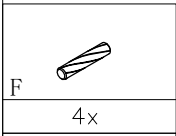
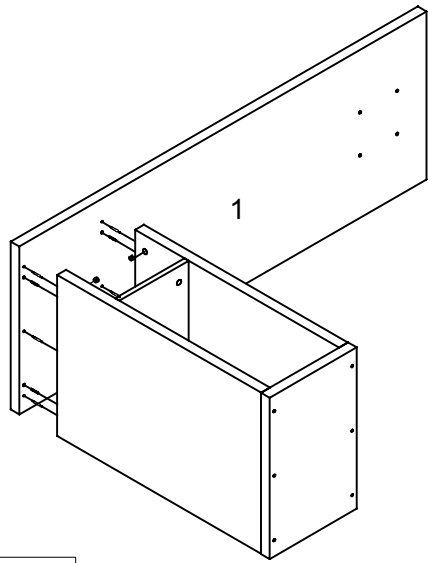
1



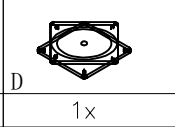
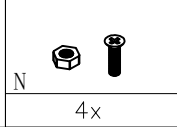
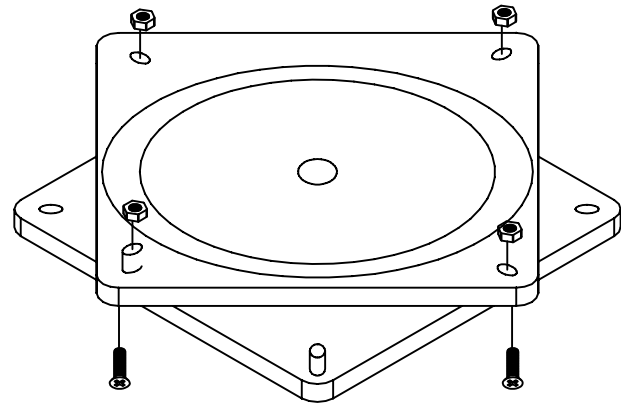
2



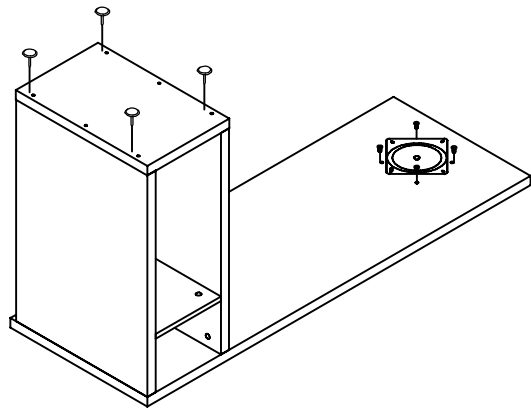
3





4

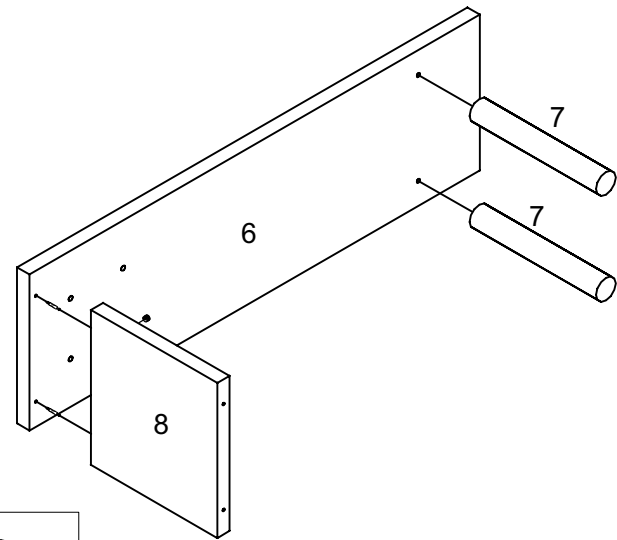




5



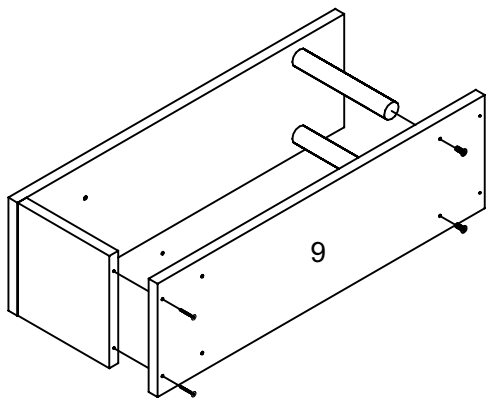
L	I
	
4x	4x



6



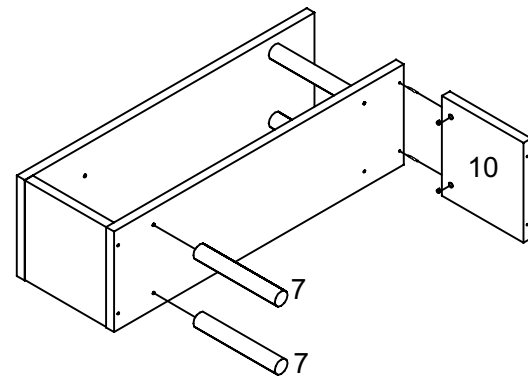
A	B
	
2x	2x



7



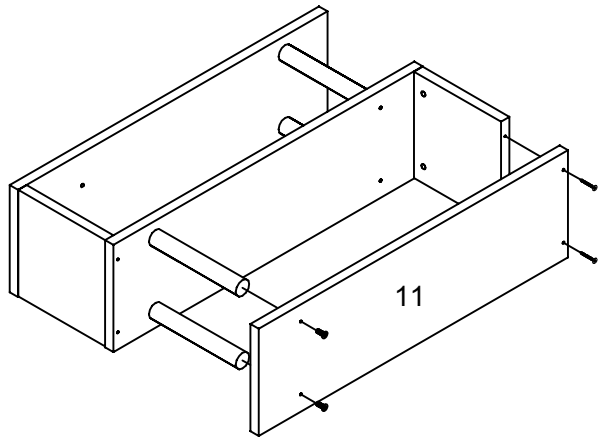
C	M
	
2x	2x



8



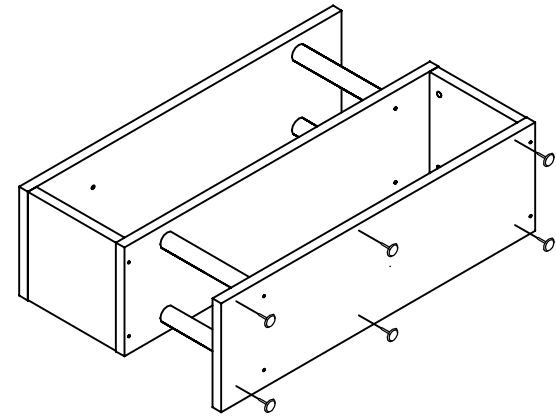
A	B
	
2x	2x


9



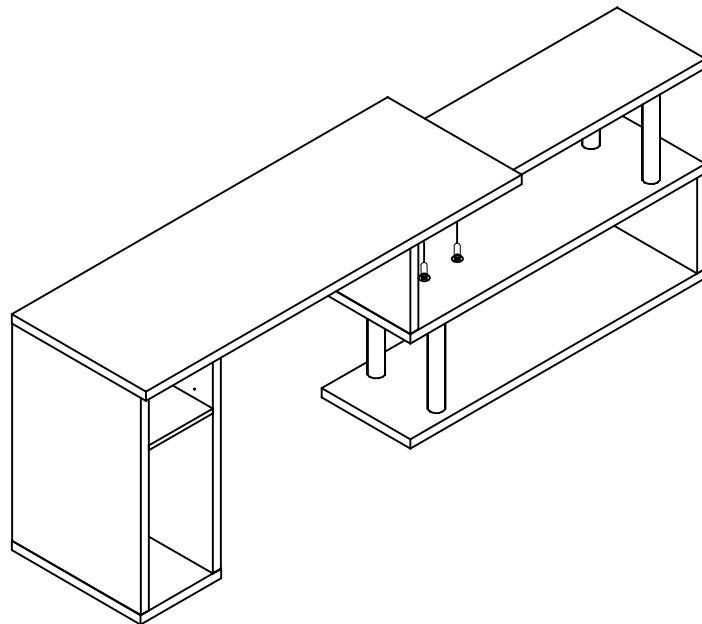
C 	M 
2x	2x


10



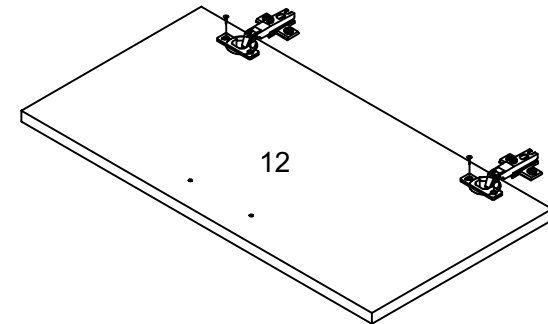
I 
6x



11



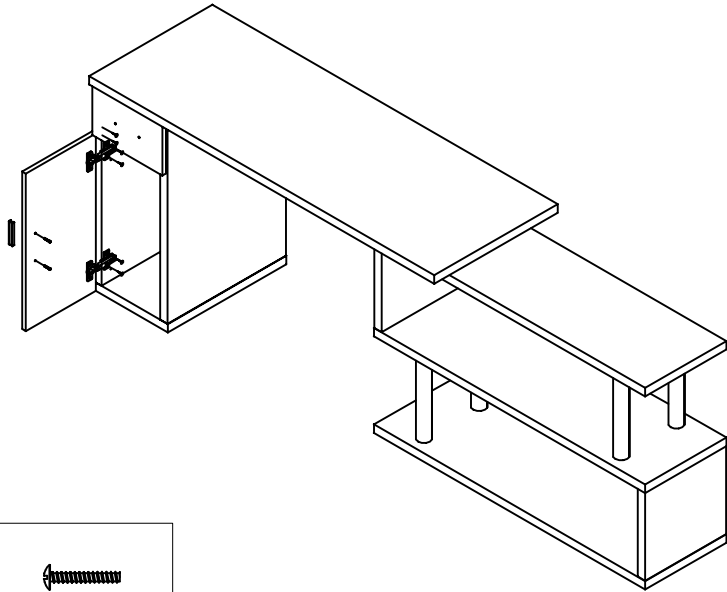
N 
4x

12



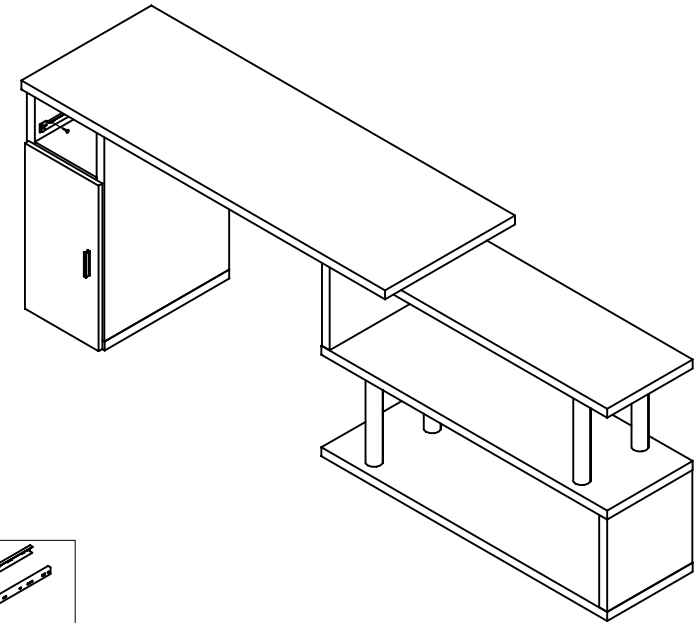
E 	G 
2x	4x

13



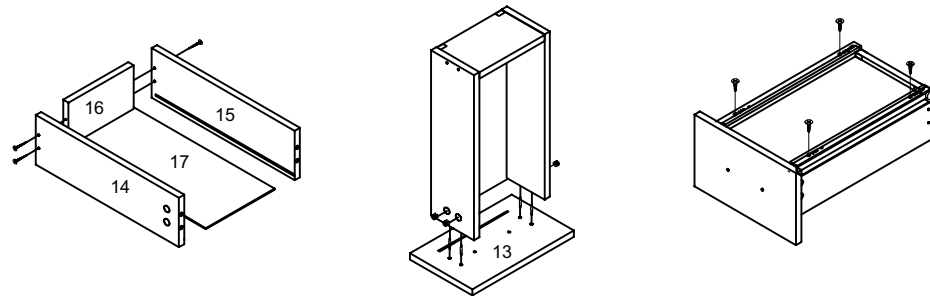
G		8x
K		1x
O		2x

14



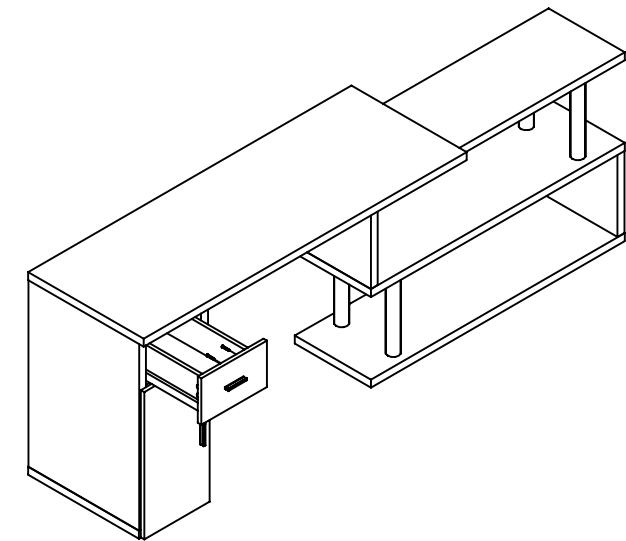
G		4x
H		1x

15



A		4x
B		4x
H		1x
G		4x
J		4x

16



K		1x
O		2x