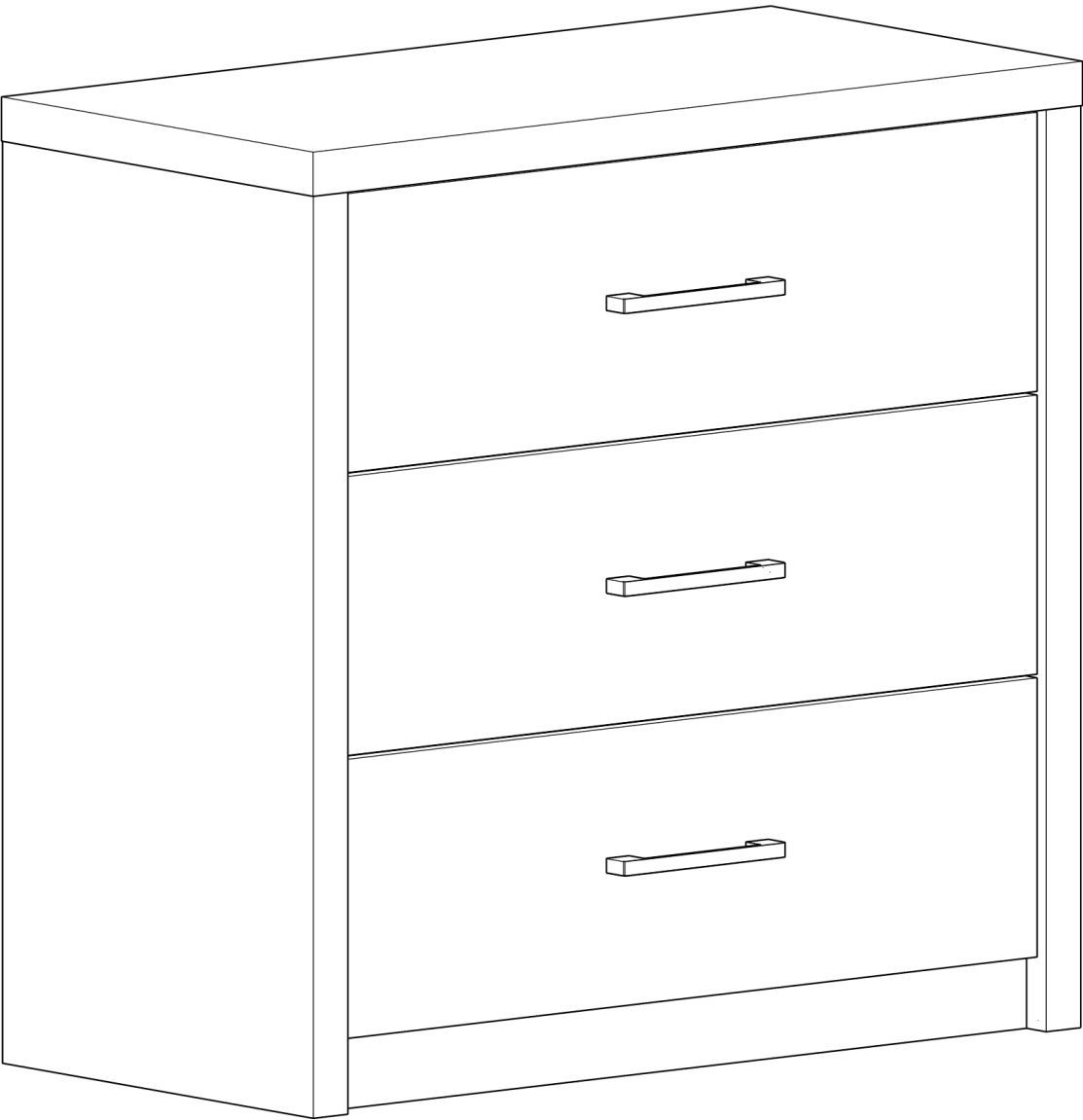


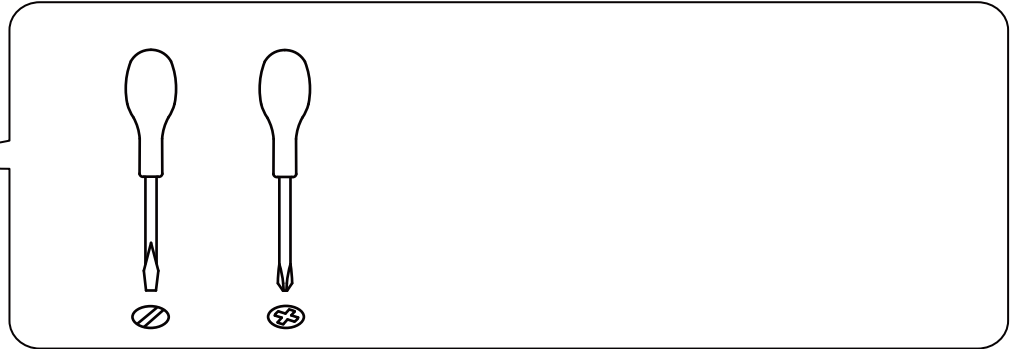
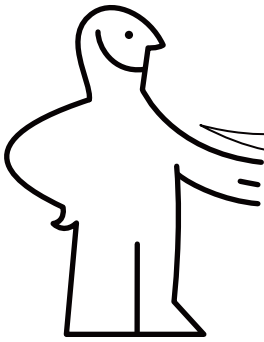
# ASSEMBLY INSTRUCTIONS

## 3 DRAWER CHEST

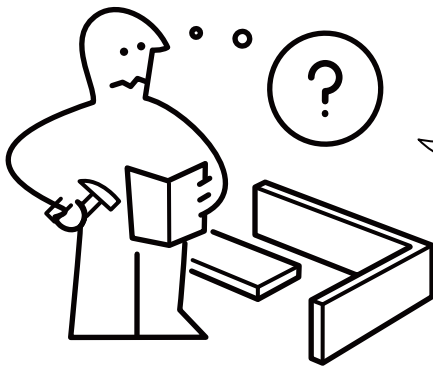
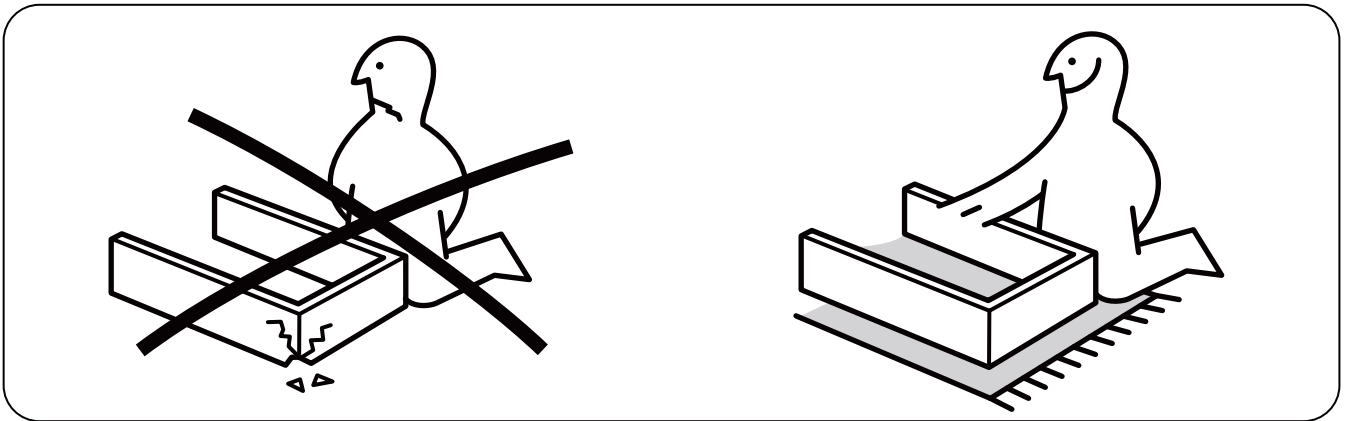
---



## Tools Required For Assembly



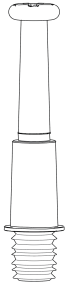
## Assemble Item On a Clean Flat Surface



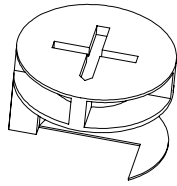
If there are any product quality problems or you encounter difficulties during installation, please contact us by email. We will do our utmost to solve the problems for you.

# PARTS:

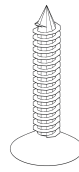
A



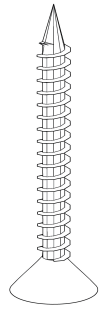
B



C



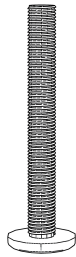
D



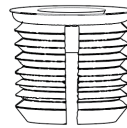
E



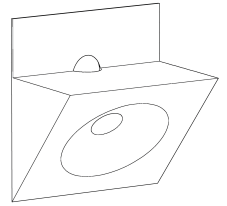
F



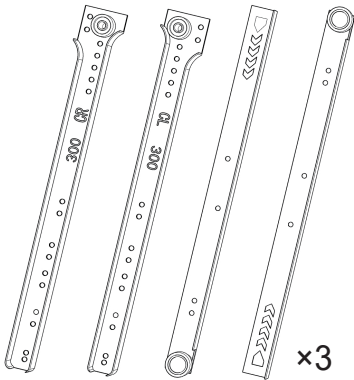
G



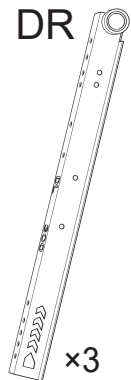
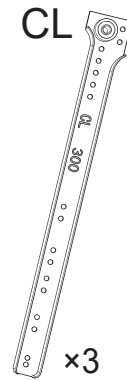
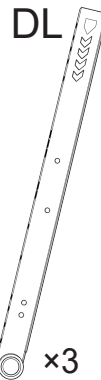
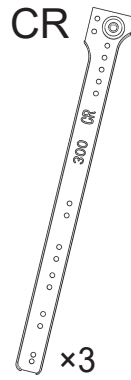
H



I



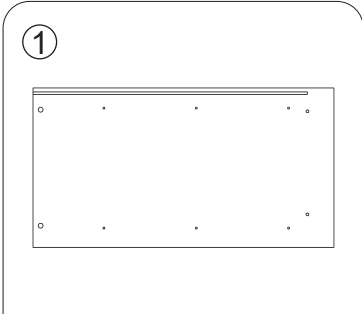
=



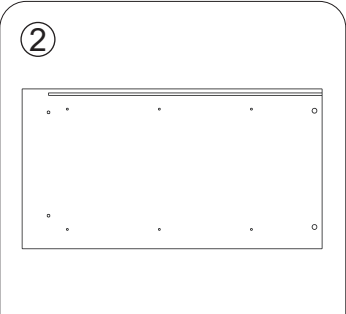
## USEFUL HINTS BEFORE YOU START:

1. Read each step carefully before starting.
2. It is important that each step is performed in correct order to avoid difficulties.
3. Identify, sort and count the parts before assembly.
4. Assemble your furniture on packaging cardboard to prevent scratch or damage.
5. Clean the product with mild cleanser using soft damped cloth. Do not use harsh or abrasive cleanser.
6. Using incompatible hardware might cause damage to product.
7. If there are any missing parts, please send us an email and we will send them to you.

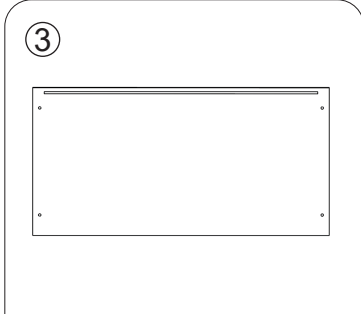
# PARTS LIST:



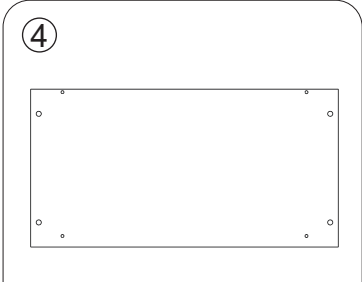
Left Side Panel | 1Pcs



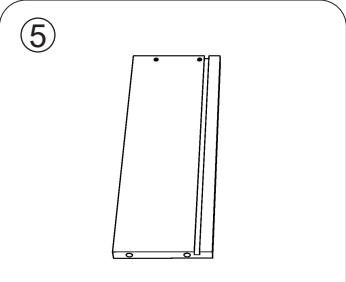
Right Side Panel | 1Pcs



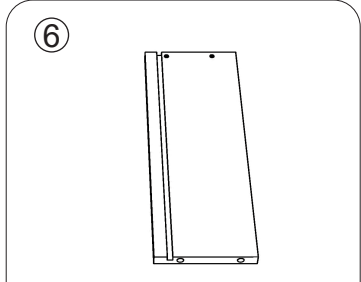
Top Panel | 1Pcs



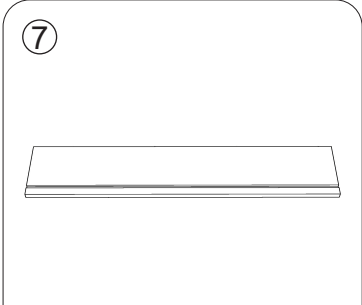
Bottom Panel | 1Pcs



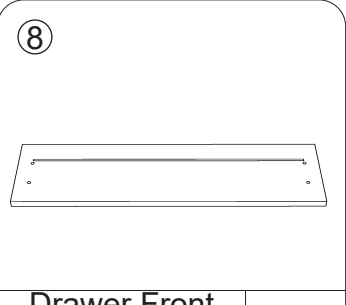
Drawer Left Side Panel | 3Pcs



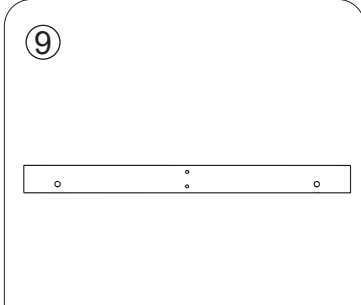
Drawer Right Side Panel | 3Pcs



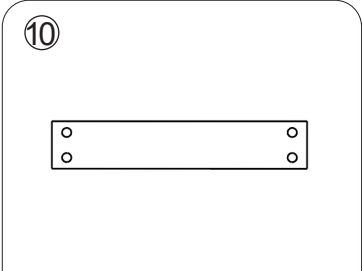
Drawer End Panel | 3Pcs



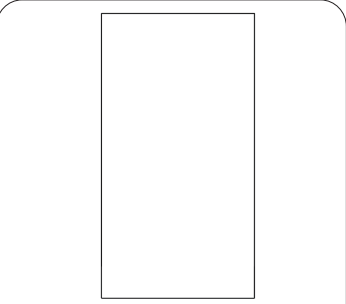
Drawer Front Panel | 3Pcs



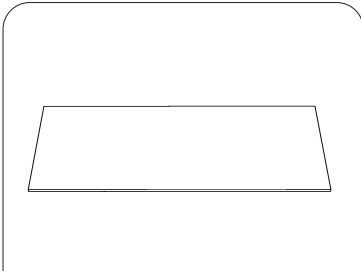
Kick Panel | 2Pcs



Strengthening Panel | 1Pcs

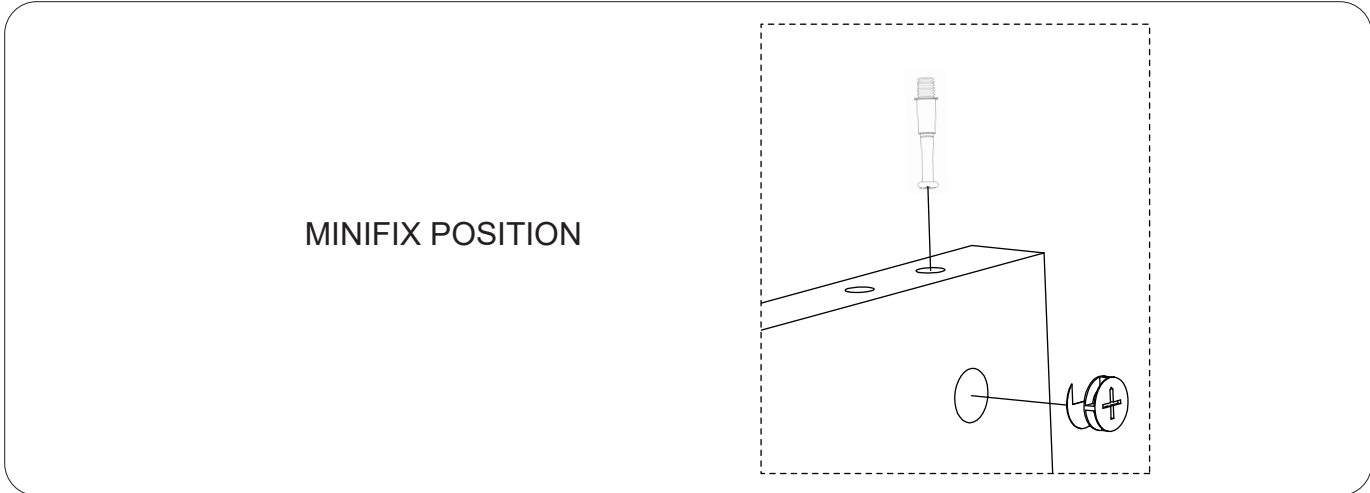
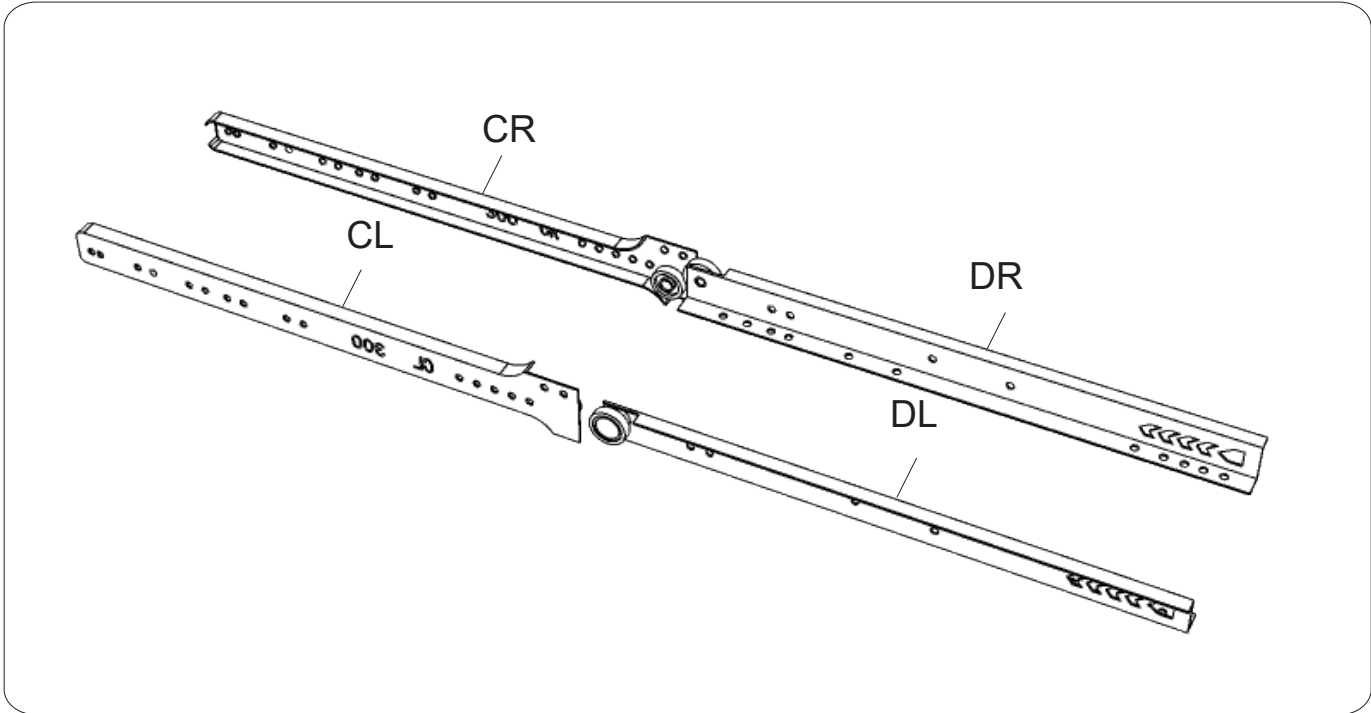


Back Panel | 2Pcs

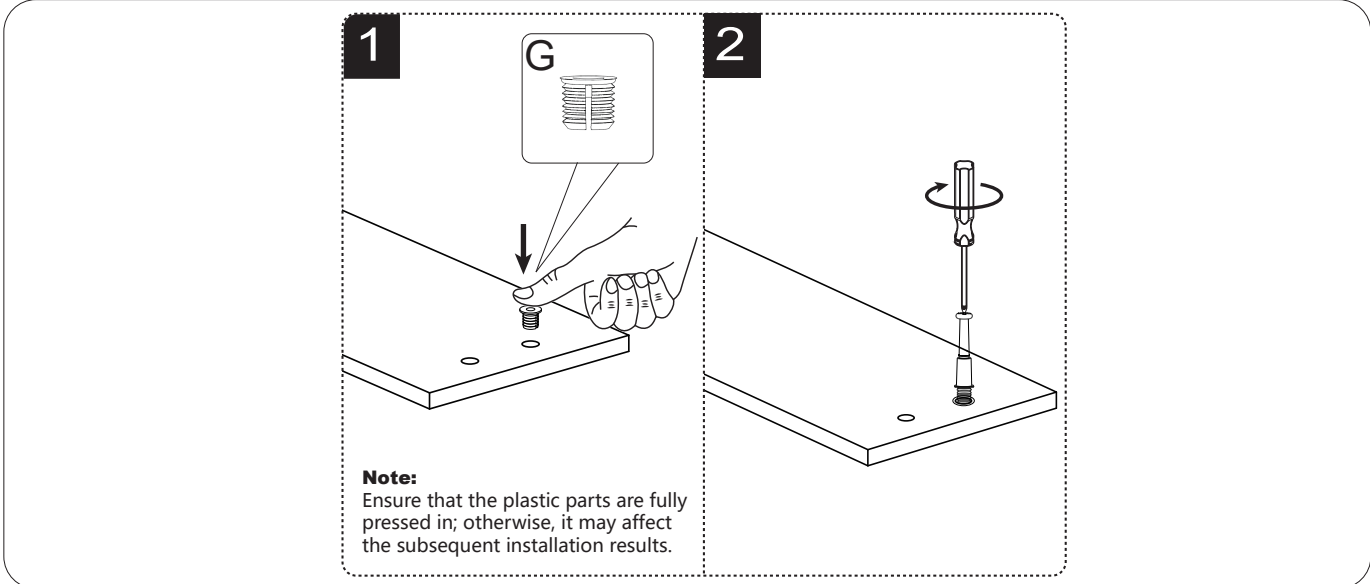


Drawer Bottom Panel | 3Pcs

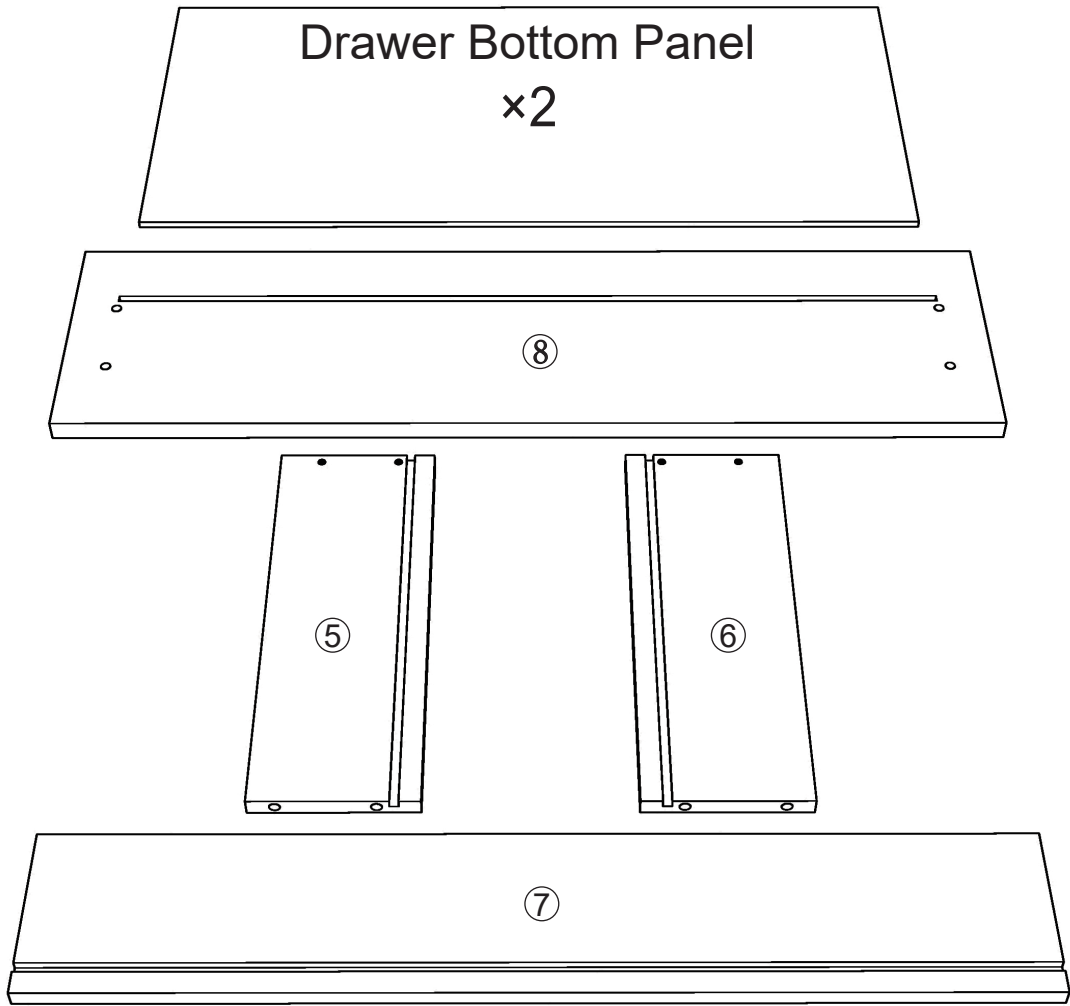
REMARK:



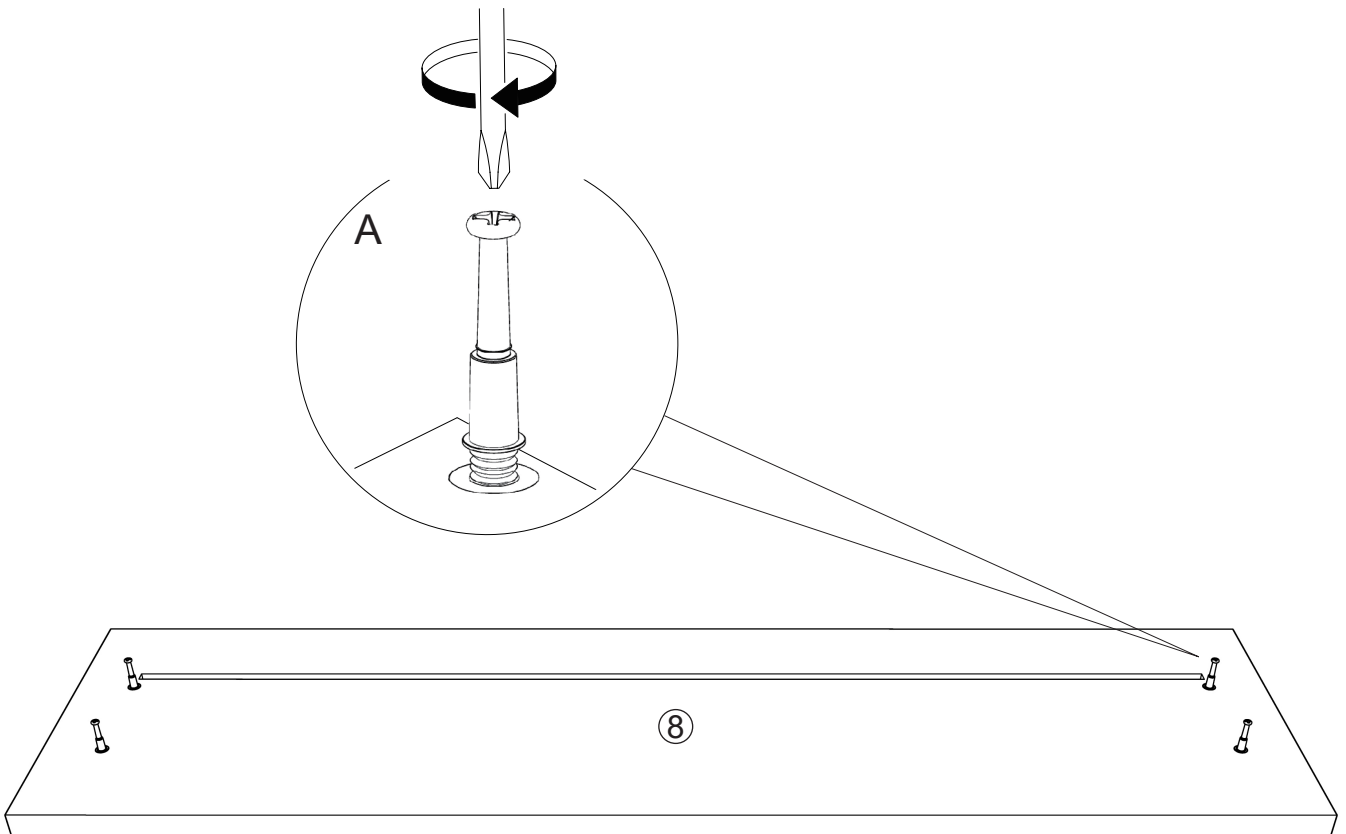
How to install camlock bolt:



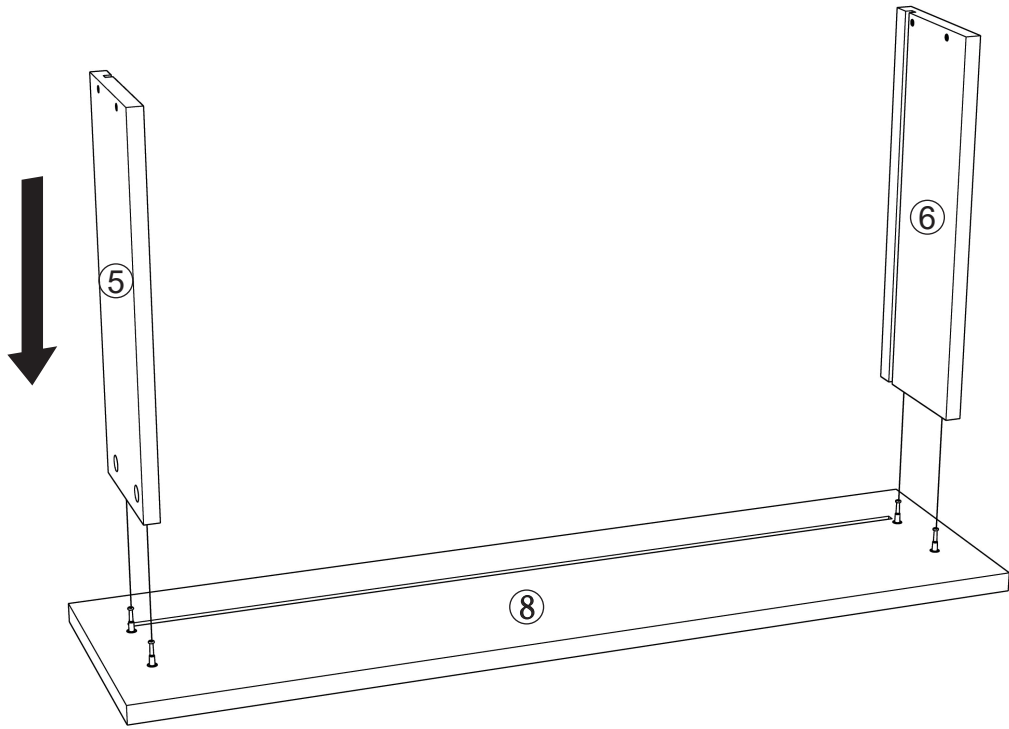
1.



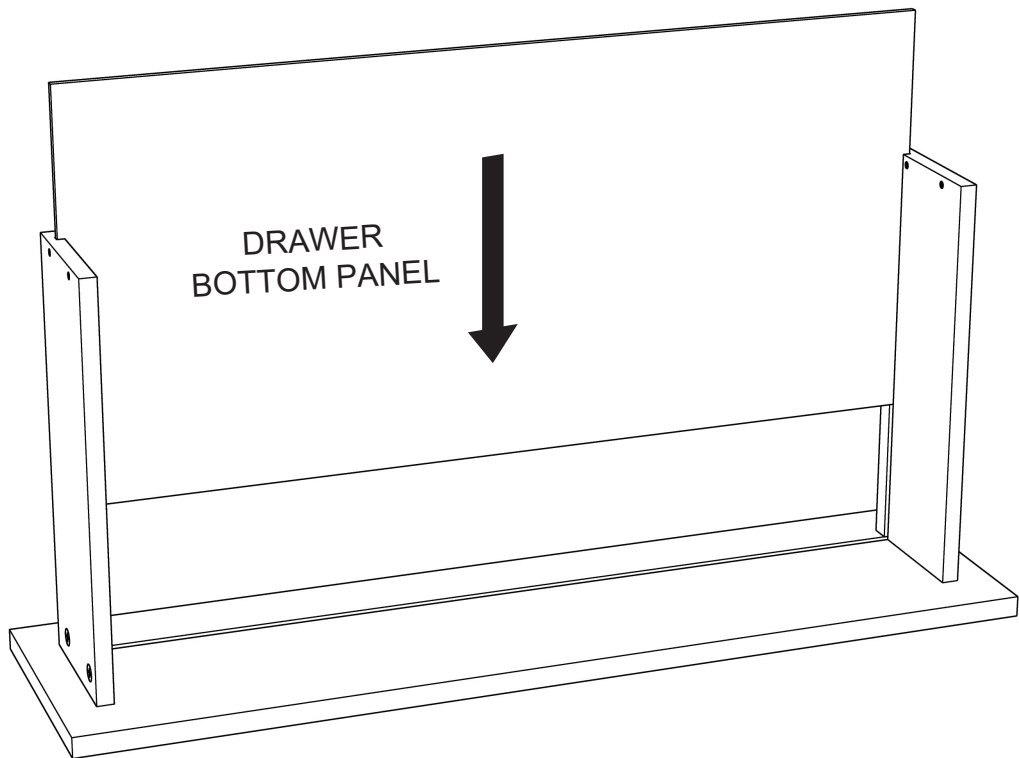
2.



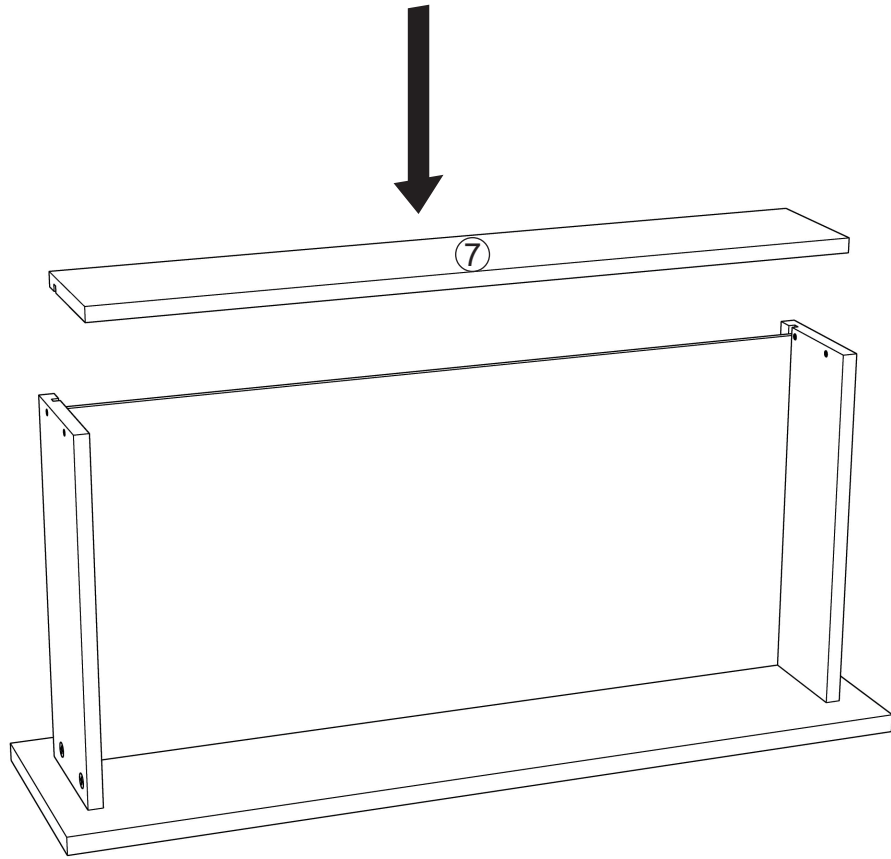
**3.**



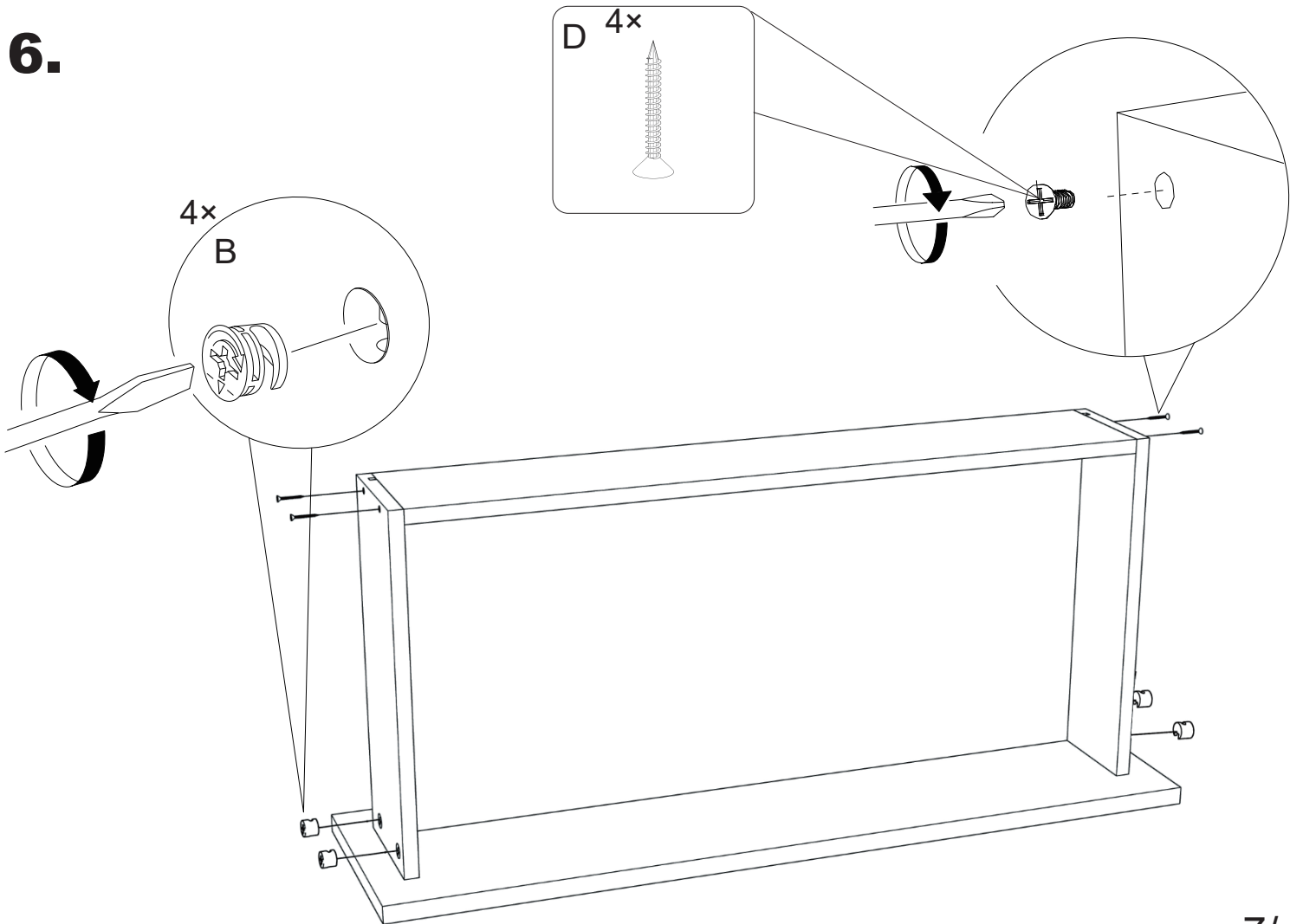
**4.**



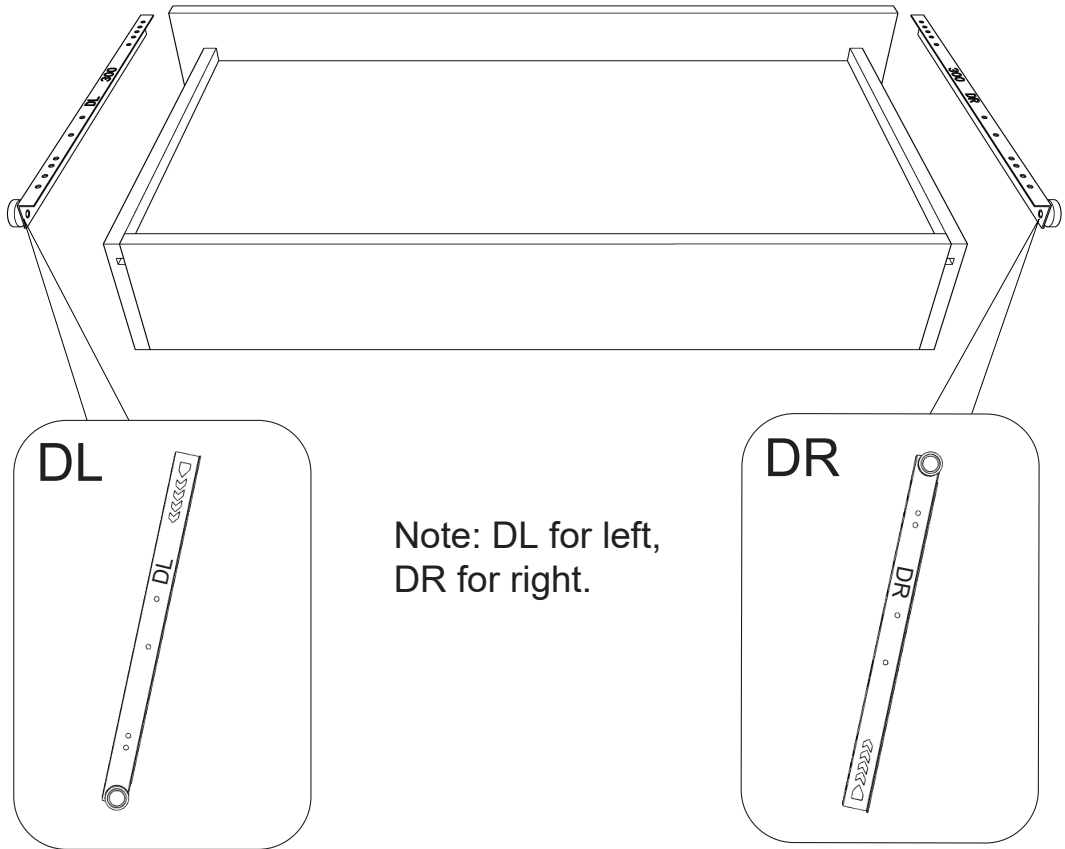
5.



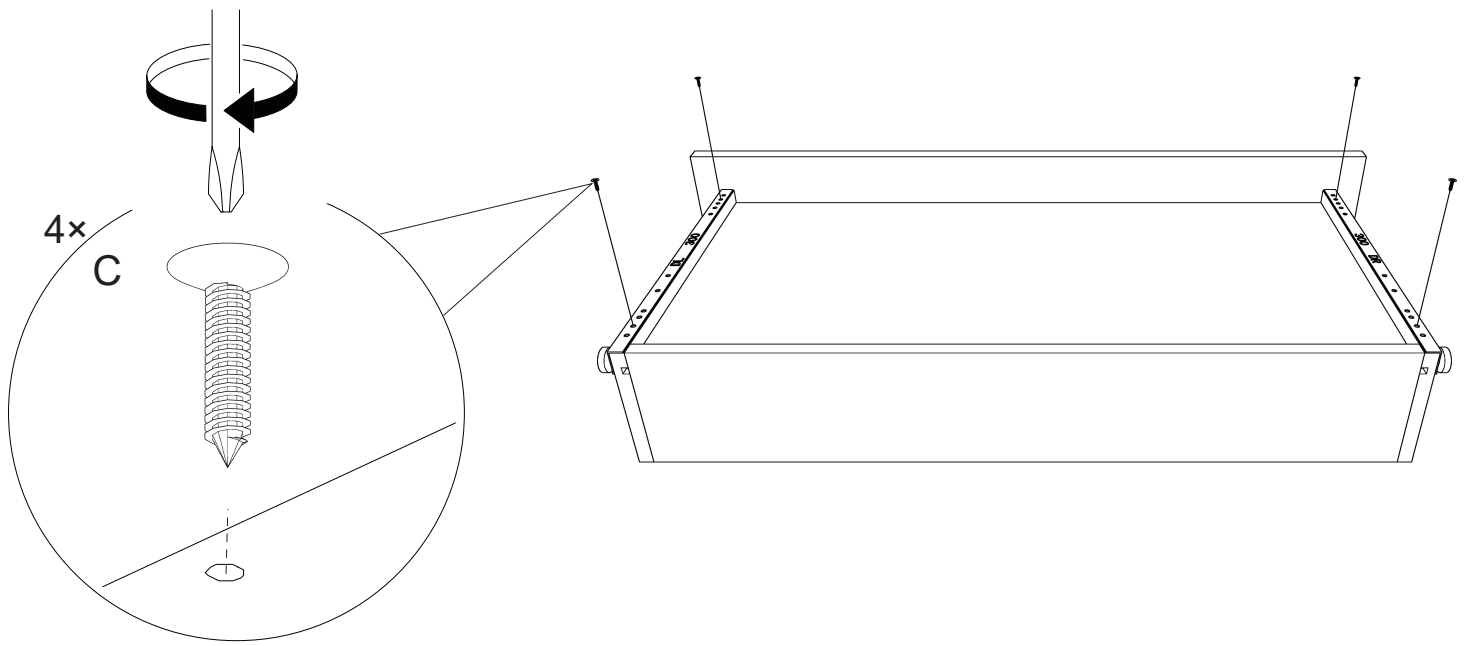
6.



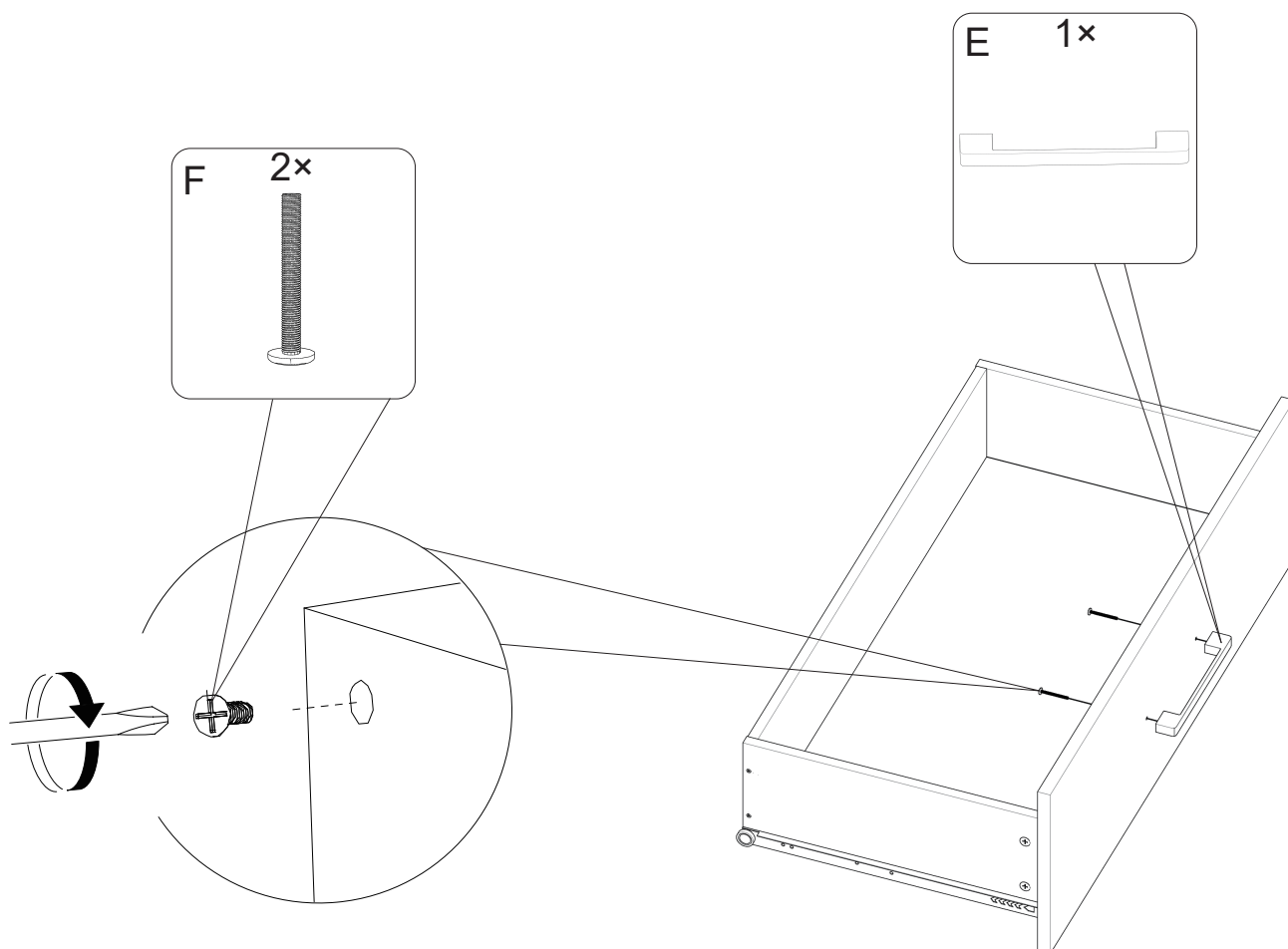
7.



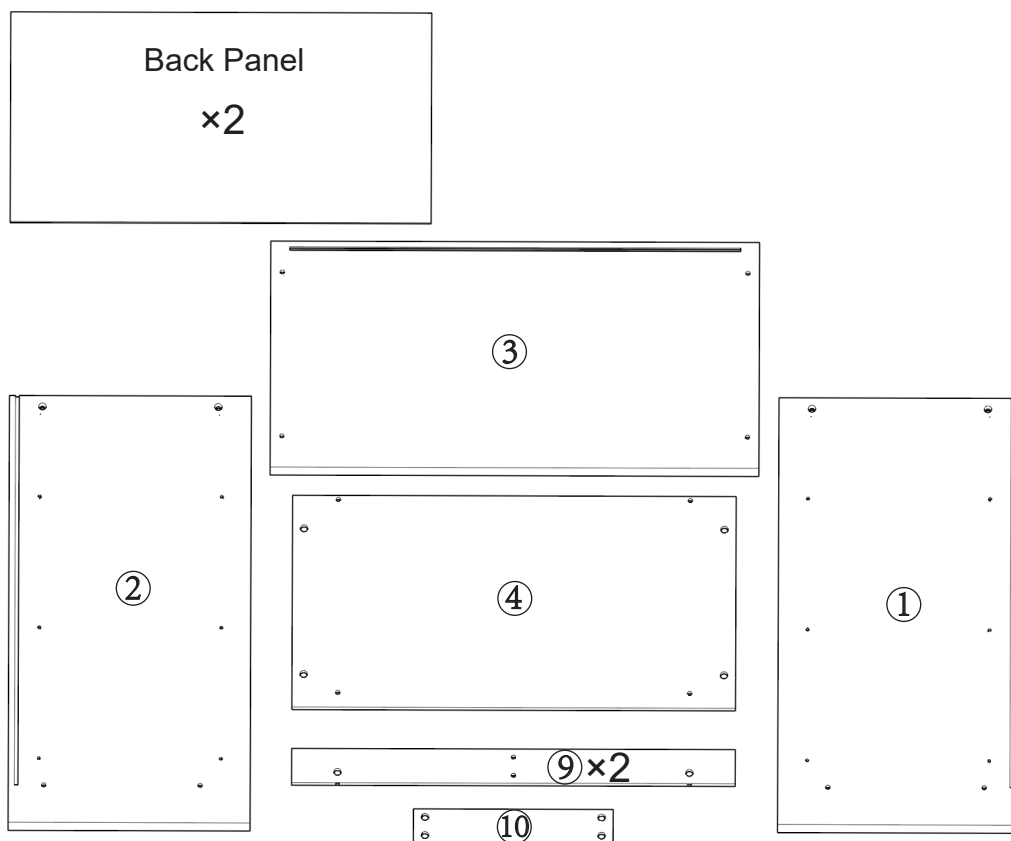
8.



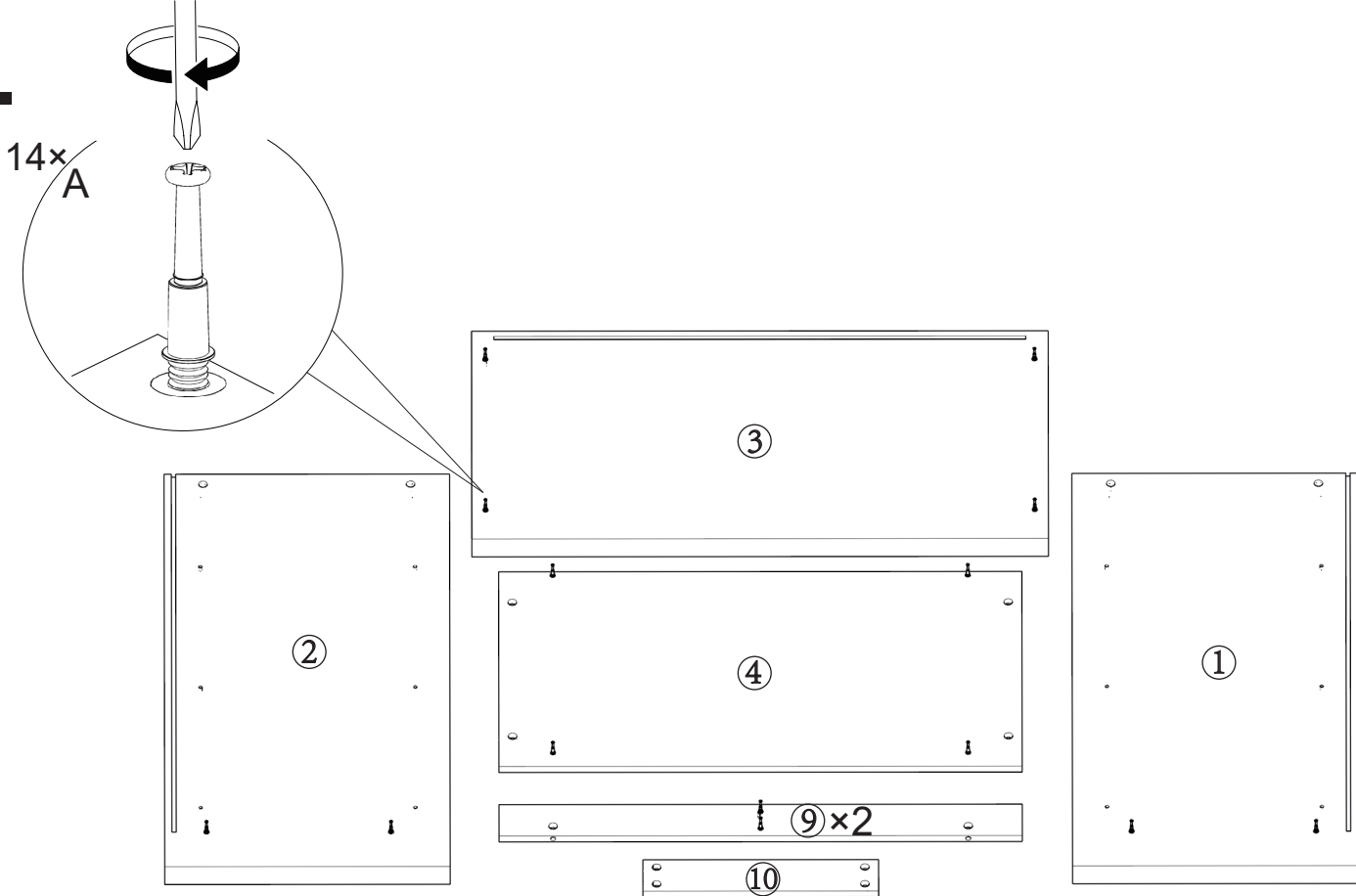
9.



10.

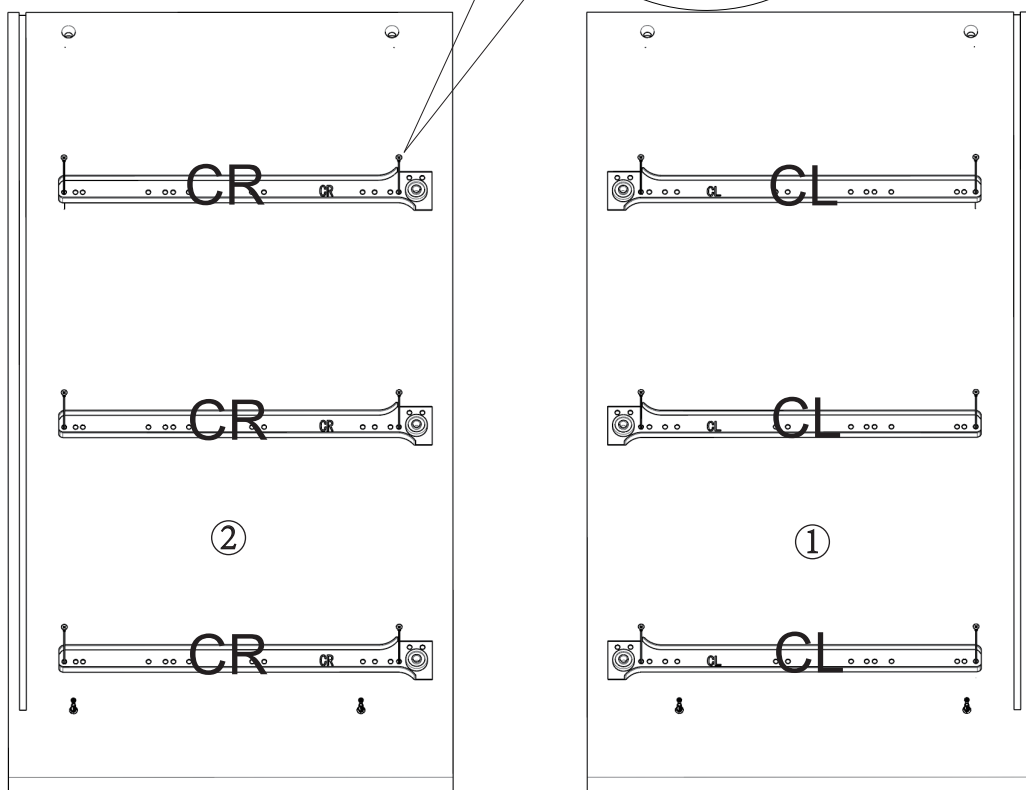


**11.**

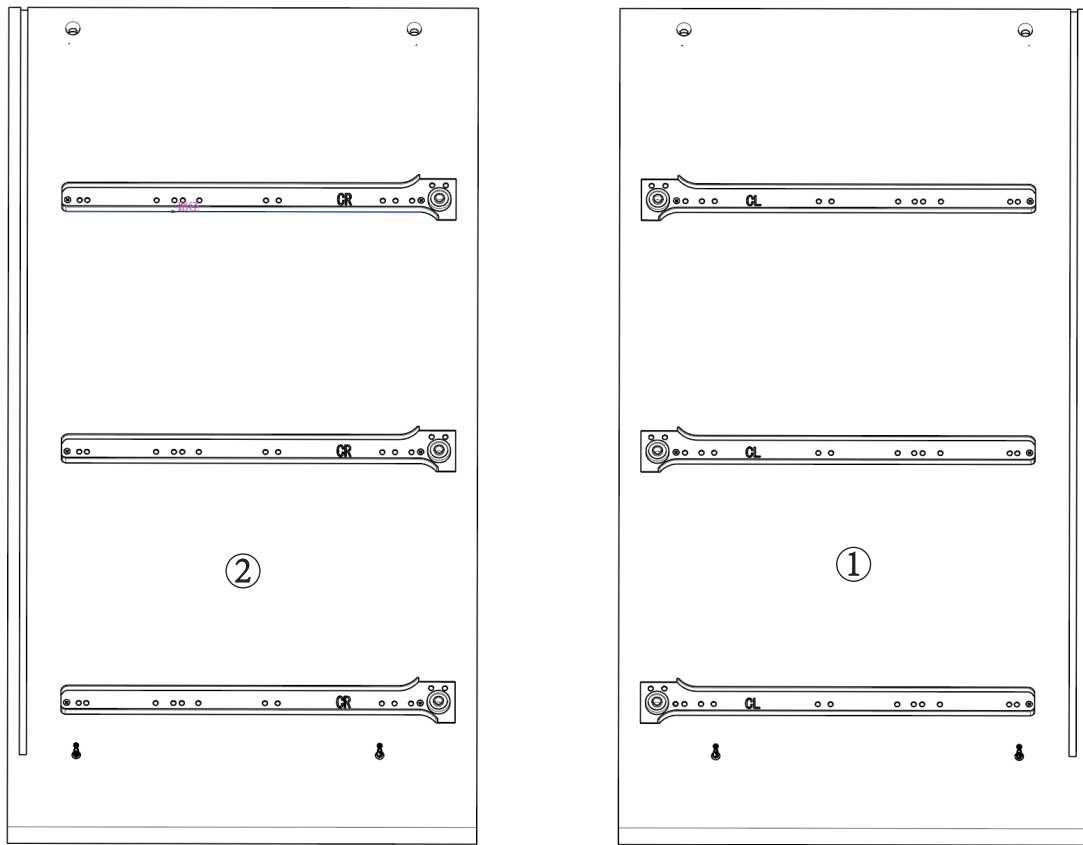


**12.**

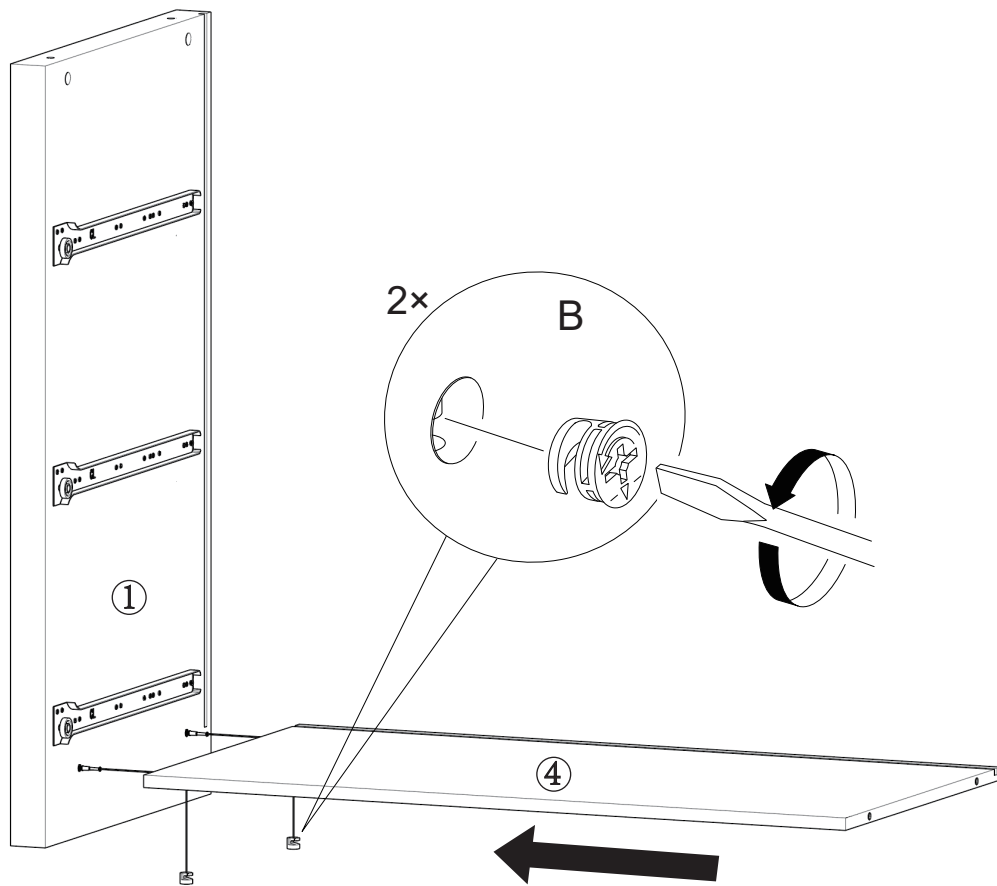
Note: CL for left,  
CR for right.



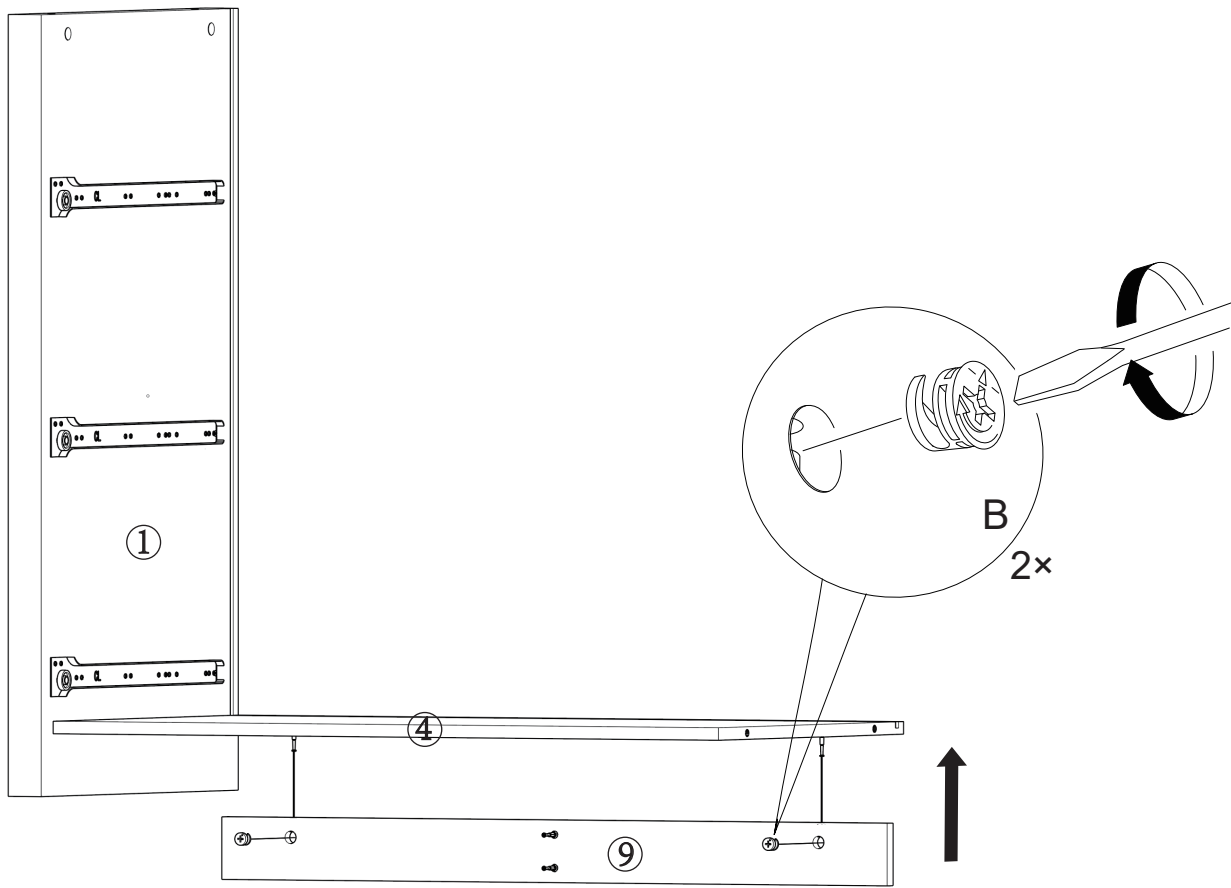
13.



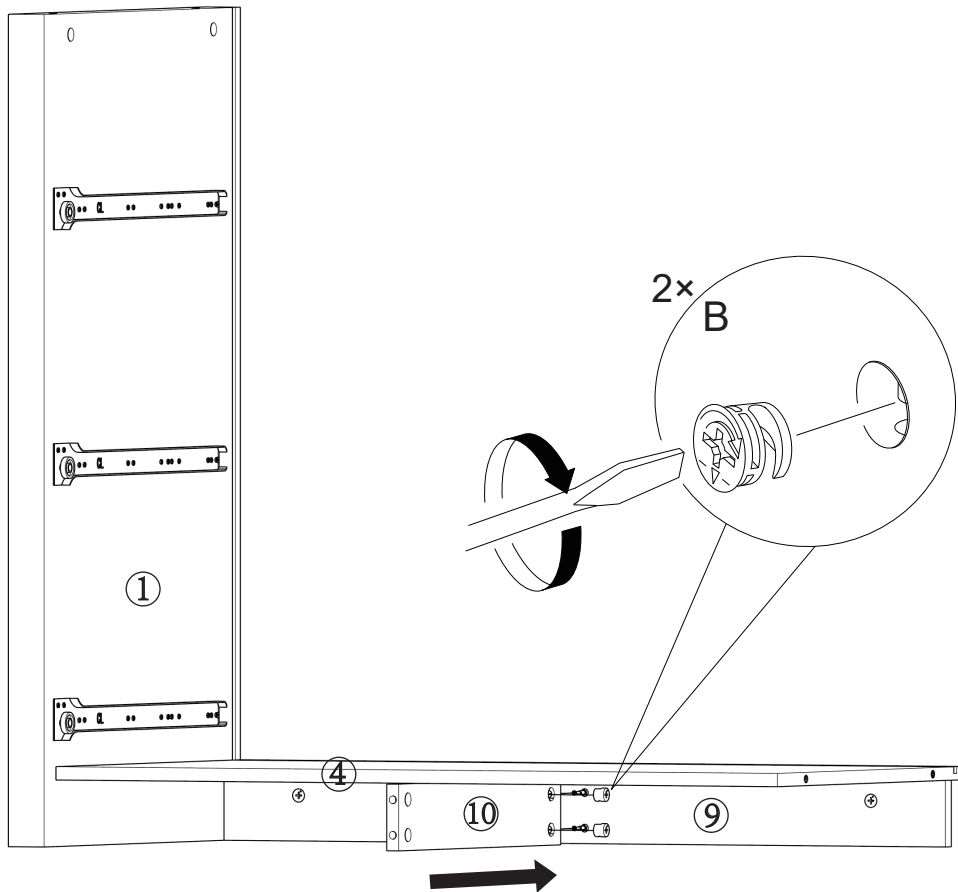
14.



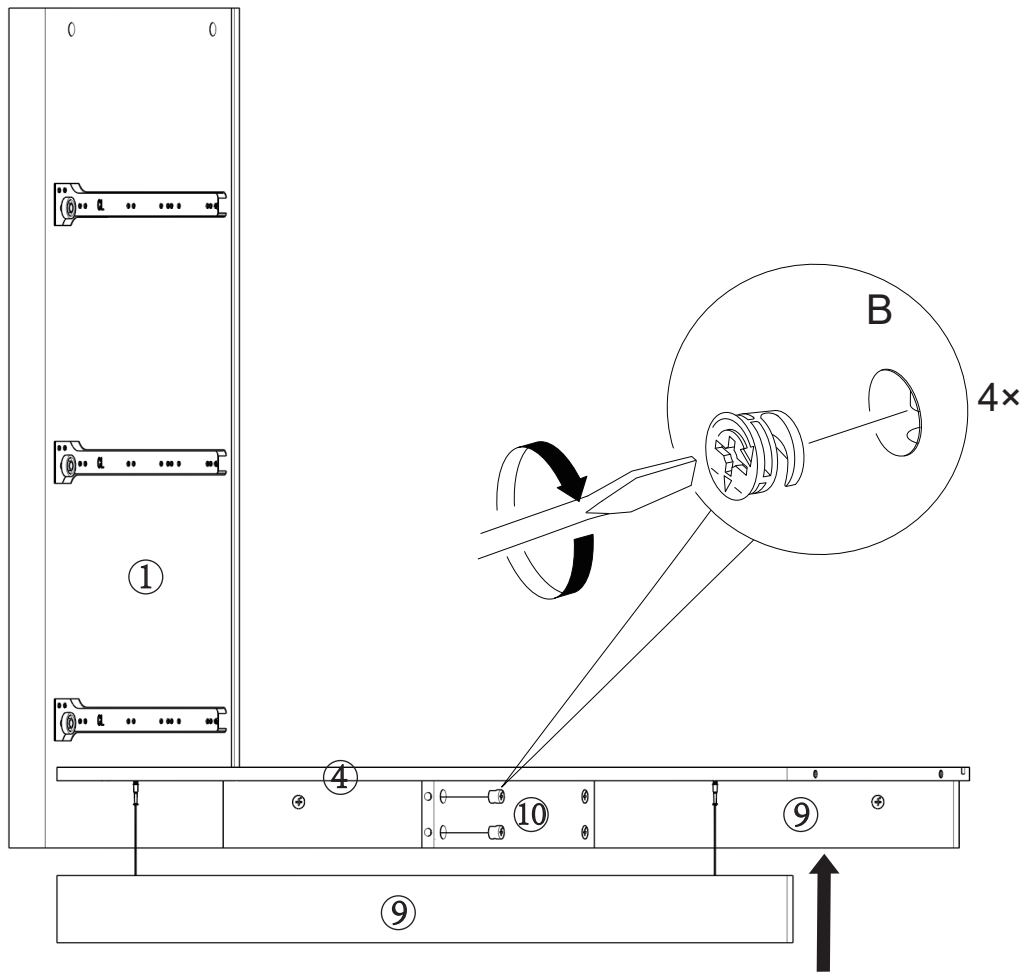
**15.**



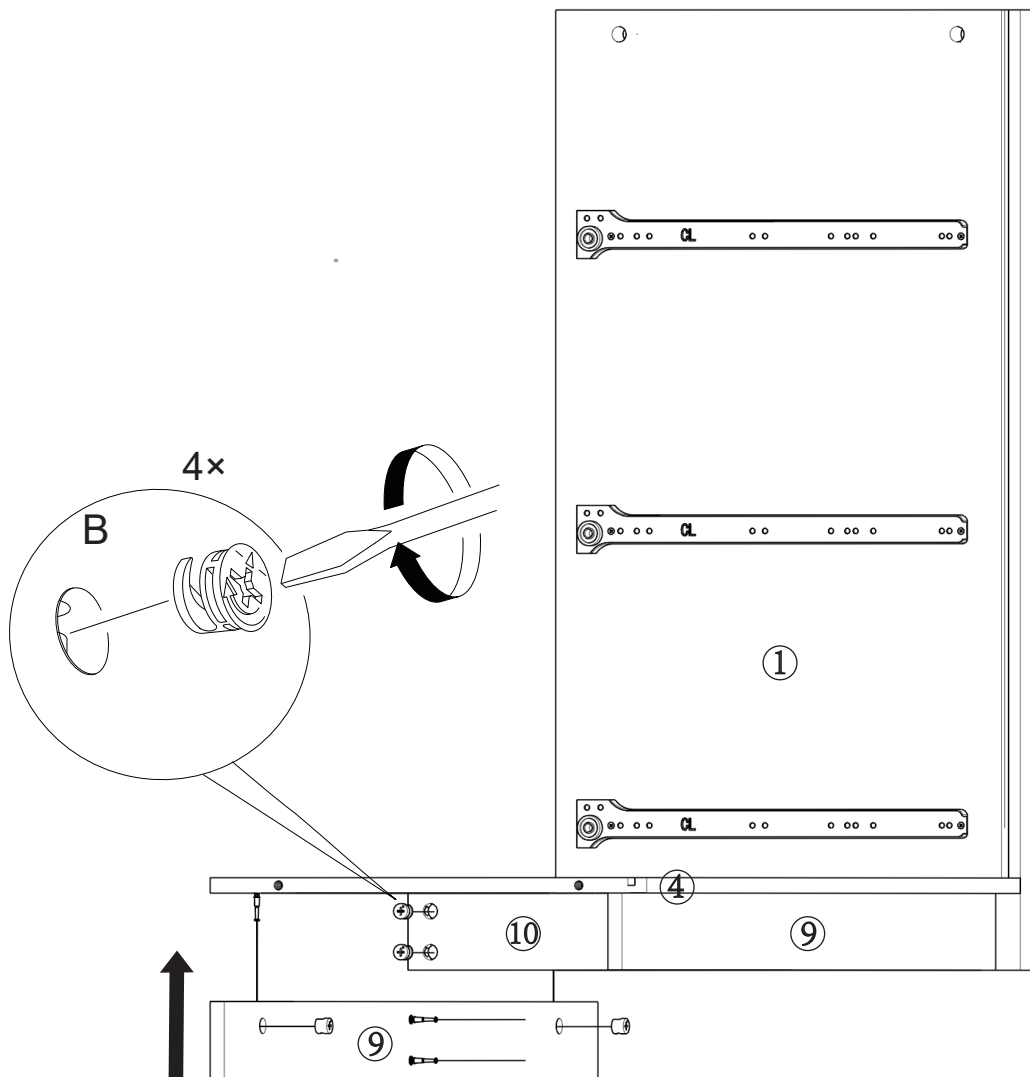
**16.**



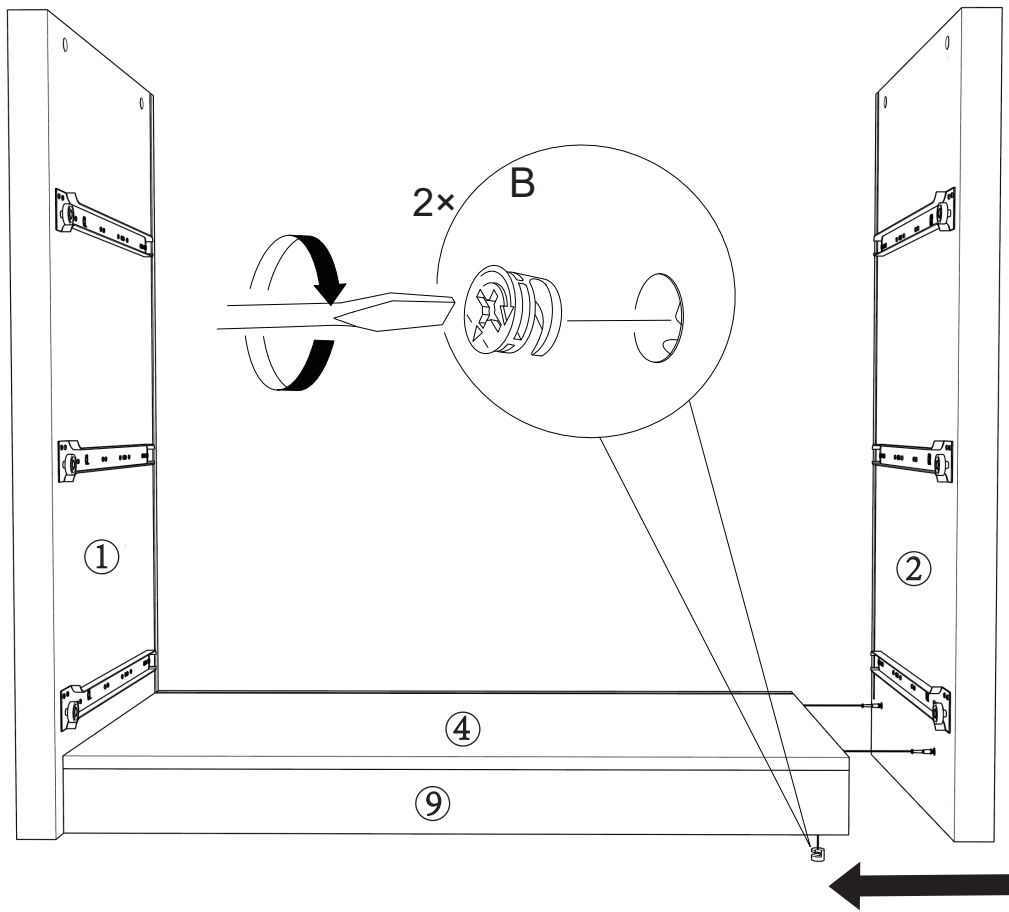
17.



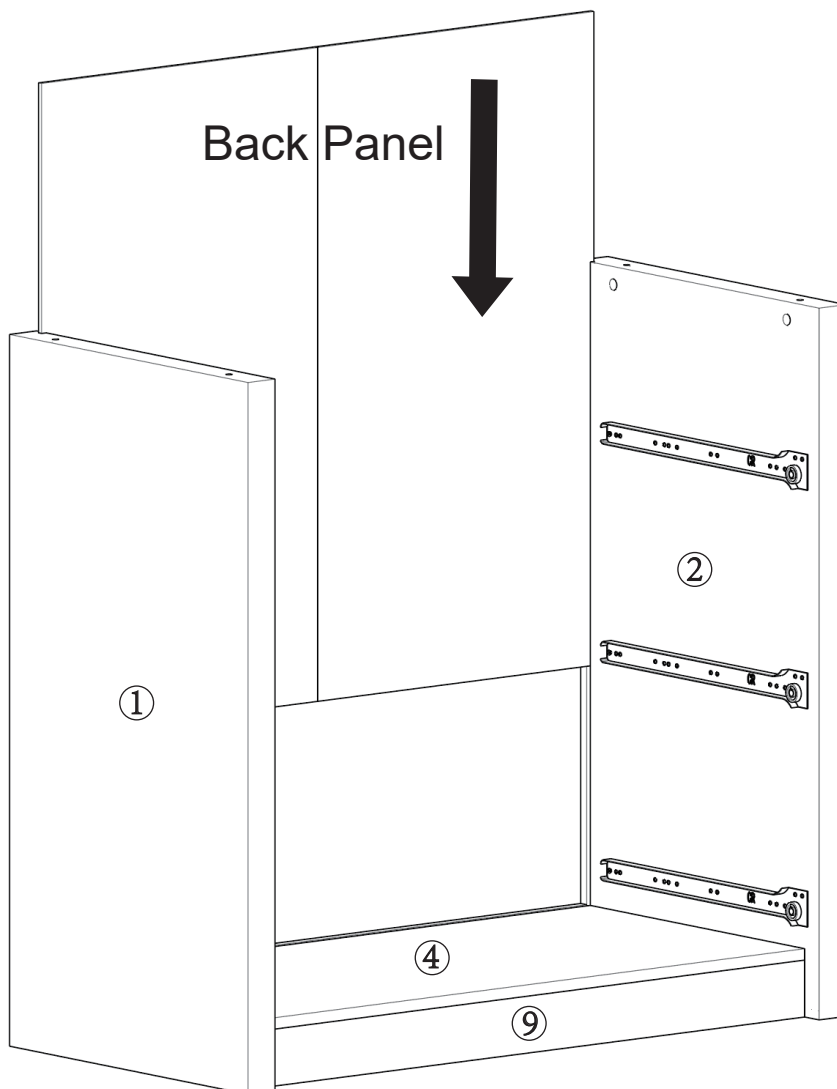
18.



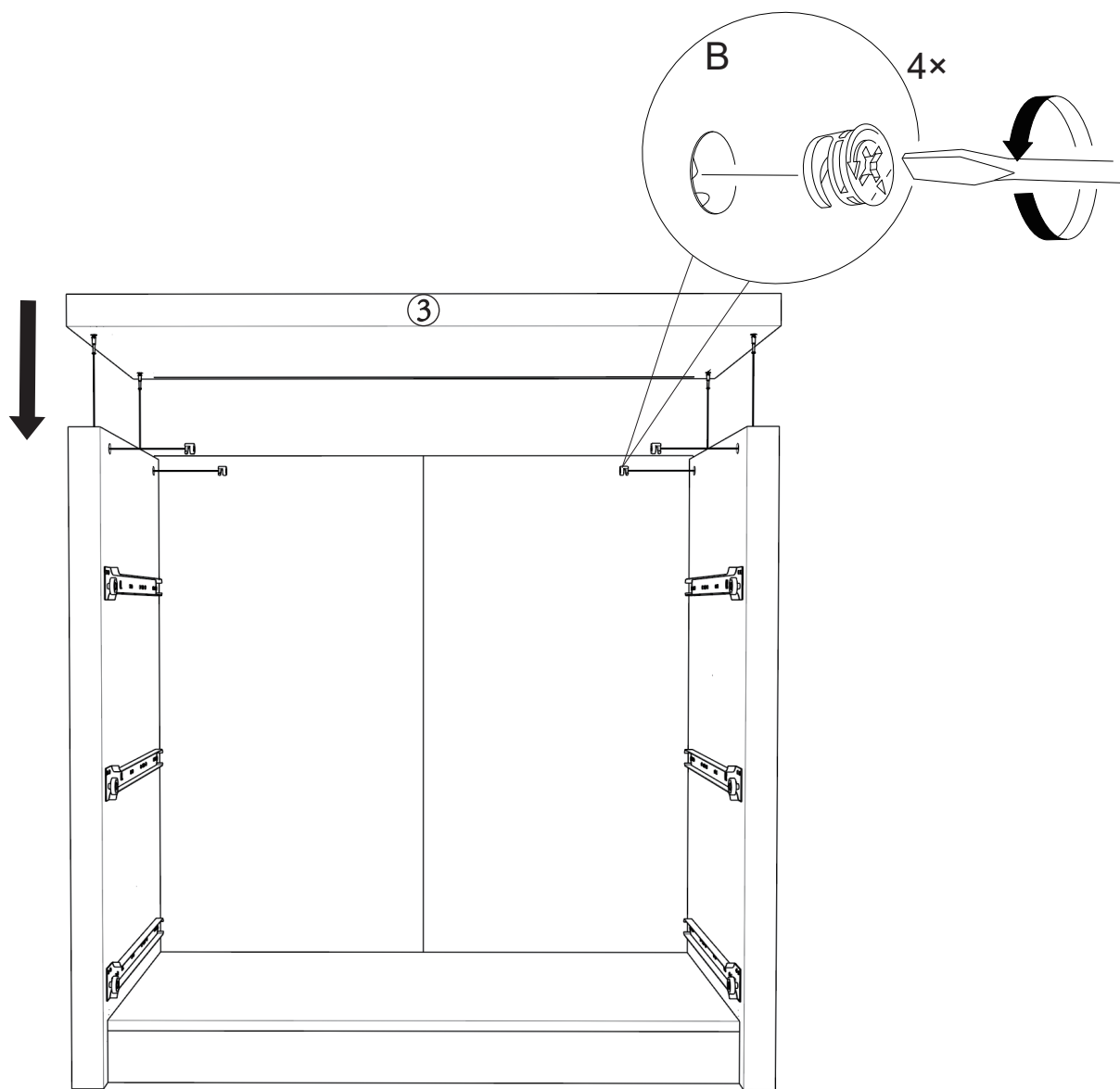
**19.**



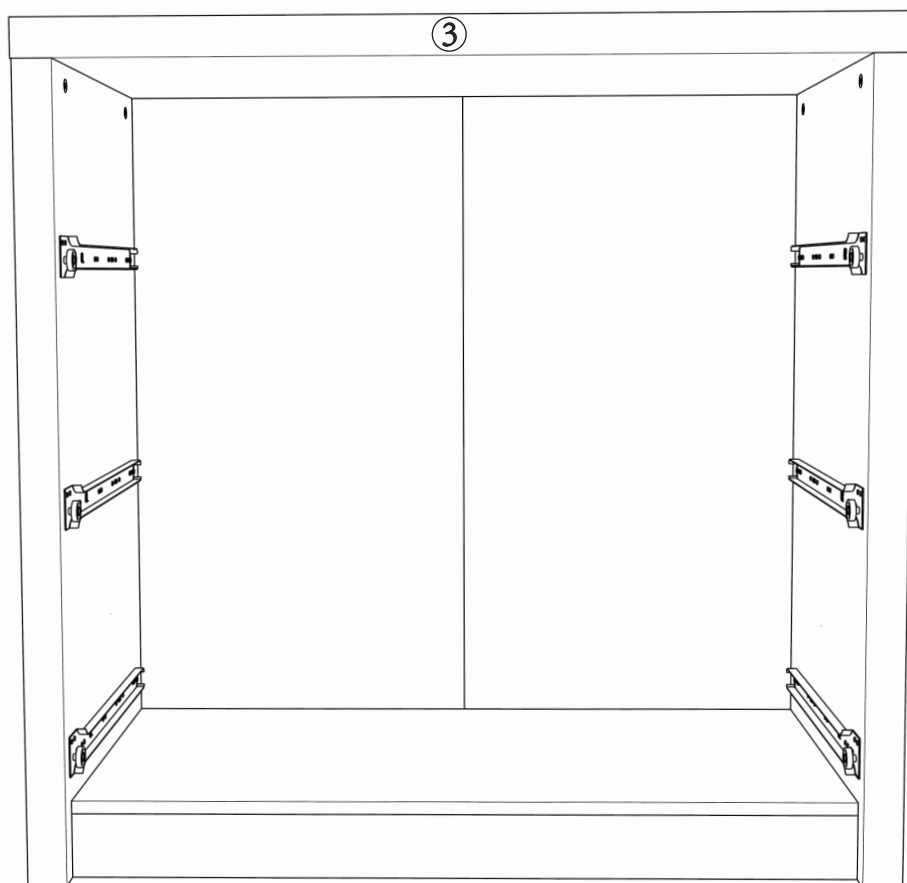
**20.**



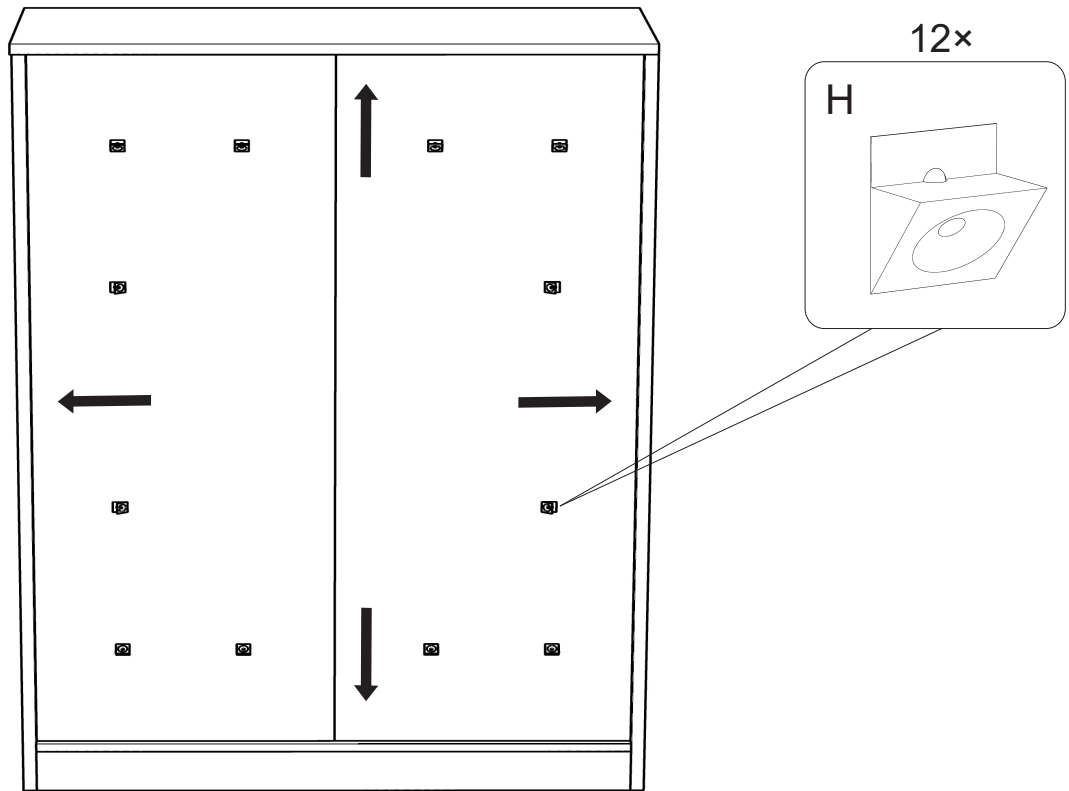
**21.**



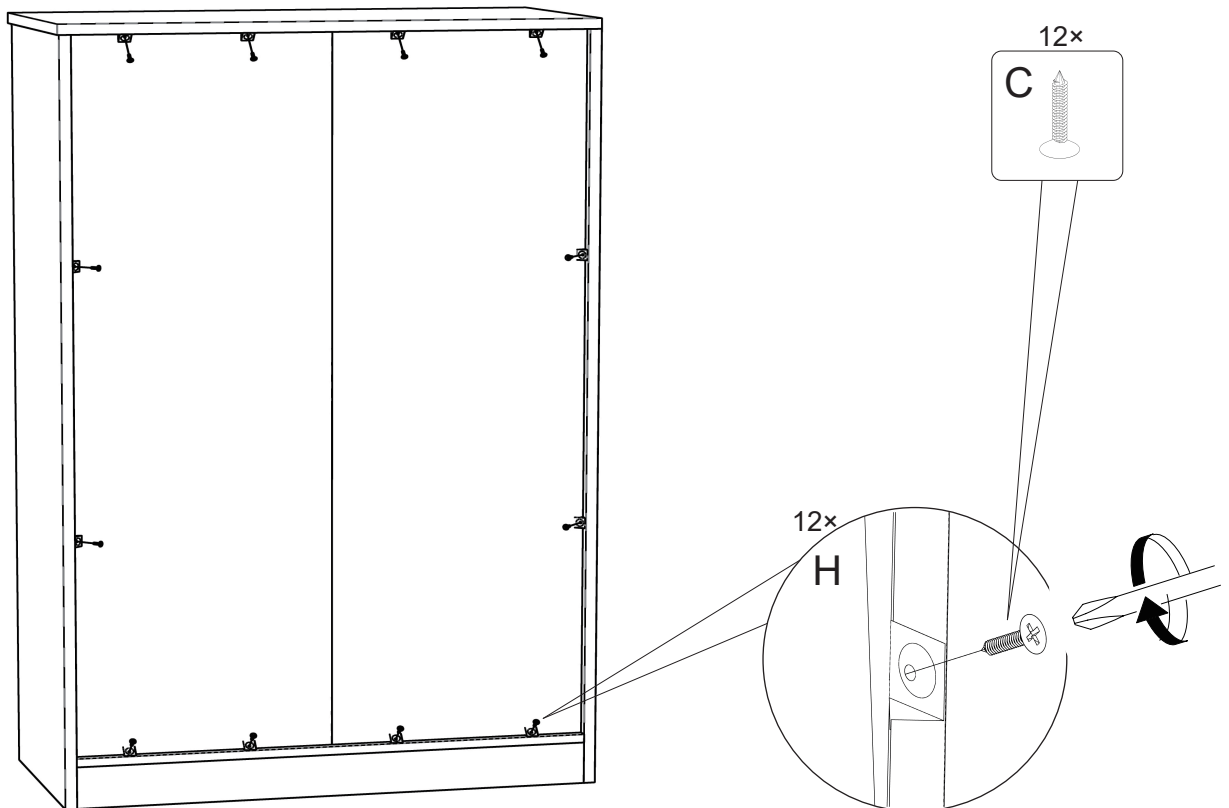
**22.**



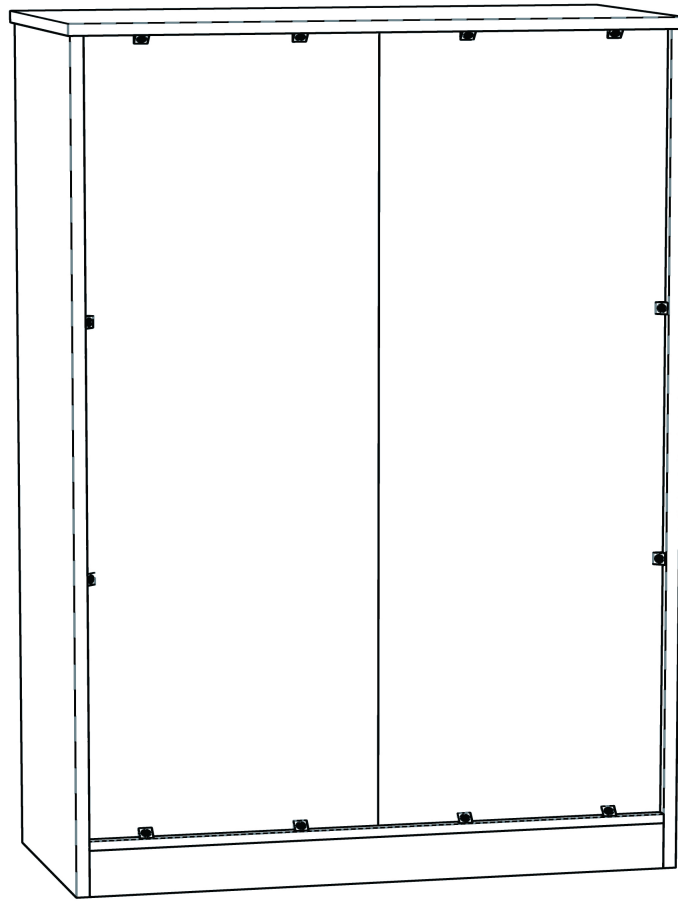
**23.**



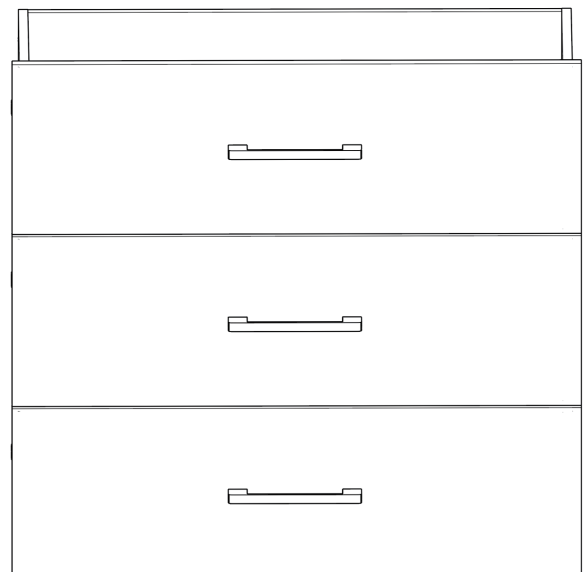
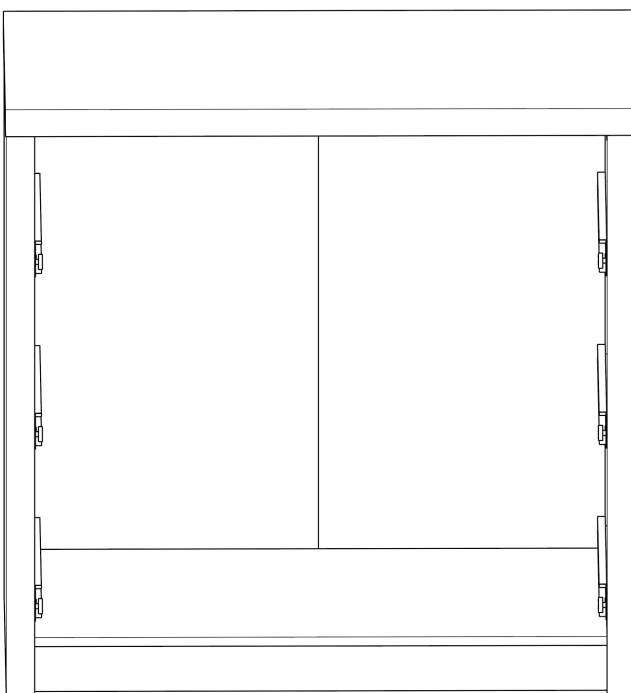
**24.**



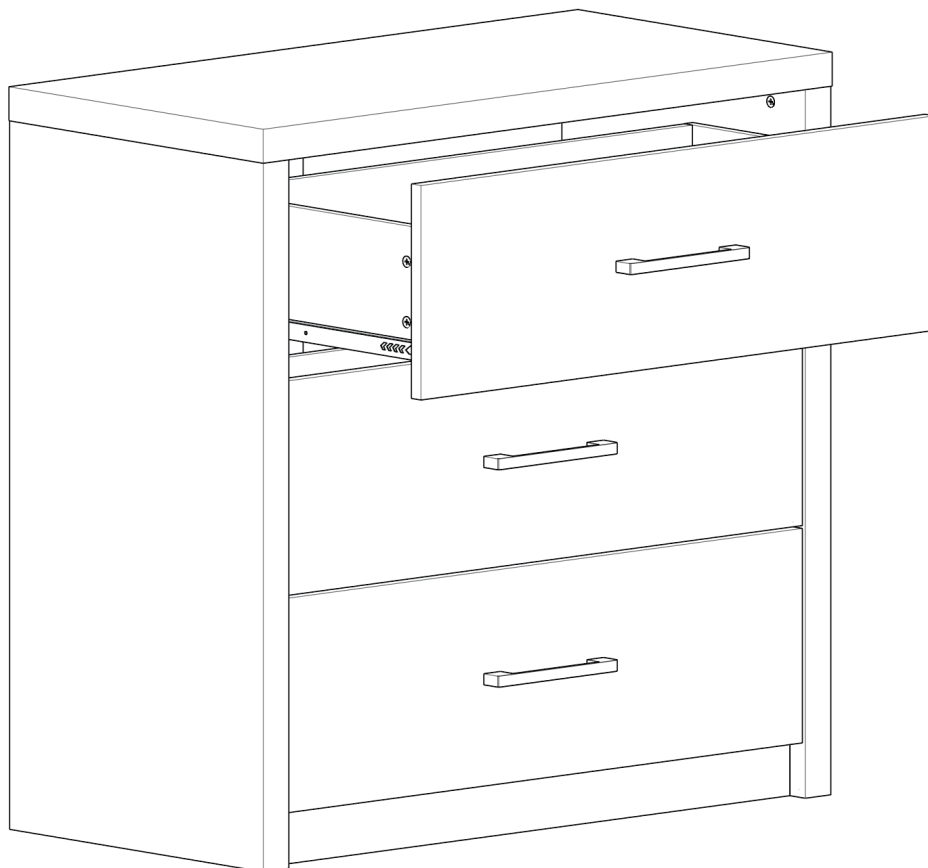
**25.**



**26.**



**27.**



**28.**

