

# LAVATORY FAUCET

- . **Dean Collection**
- . **Single Handle Lavatory Faucet**
- . **1 or 3-Hole Installation**

## STANDARD SPECIFICATIONS

- . Low lead metal spout
- . Zinc handle
- . Ceramic disc cartridge
- . 1 or 3 hole installation
- . 24" Flexible stainless steel inlet hose with 3/8" compression fitting
- . 1.2gpm max @ 60psi

## FINISHES INCLUDE

- . Chrome (UF38100)
- . PVD Brushed Nickel (UF38103)
- . Oil Rubbed Bronze (UF38105)
- . Matte Black (UF38107)
- . Brushed Gold (UF38108)

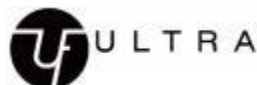
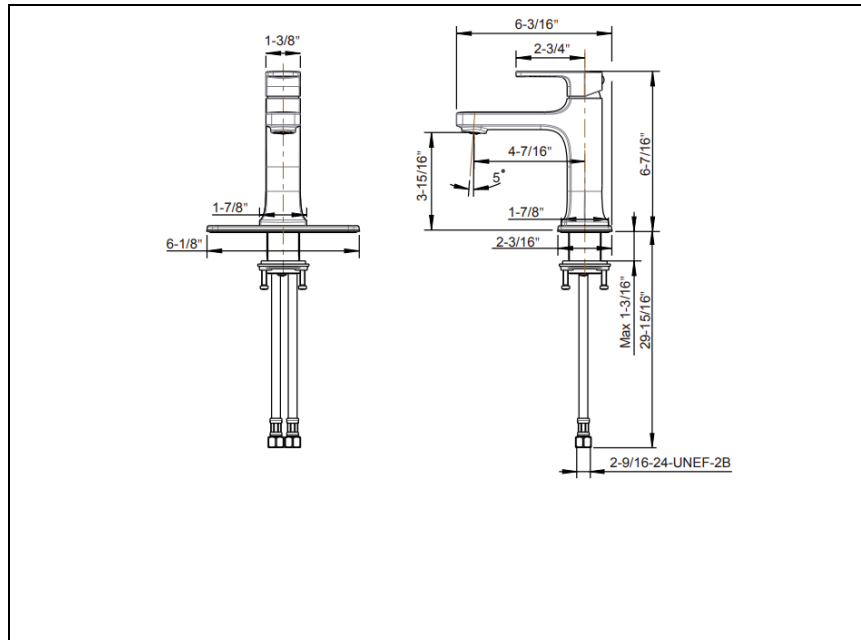
## WARRANTY

- . Limited lifetime warranty on workmanship and materials to the original purchaser



## COMPLIES WITH

- . NSF 61-9
- . ASME A112.18.1
- . CSA B125.1
- . IAPMO/UPC/cUPC
- . AB1953
- . EPA WaterSense



tel. 888-OK-ULTRA (658-5872) • fax. 949-252-9989 • <http://www.ultrafaucets.com>

*This specification is provided for reference only. Ultra Faucets reserves the right to modify specifications and materials without notice or obligation.*