

Instruction Manual

Ashby Wooden Rectangular Folding Table 150cm

www.laura-james.co.uk



CONTENTS

Safety and care advice	1
Components	2
Assembly instructions	4
Copyright	10

⚠ SAFETY AND CARE ADVICE ⚠

PLEASE READ THESE INSTRUCTIONS CAREFULLY AND KEEP FOR FUTURE REFERENCE

- **Warning:** Please lift with care.
- Check you have all the components and tools listed on pages 2 and 3.
- Remove all fittings from the plastic bags and separate them into their groups.
- Keep children and animals away from the work area, small parts could choke if swallowed.
- Make sure you have enough space to lay out the parts before starting.
- Do not stand or put weight on the product, this could cause damage.
- Assemble the item as close to its final position (in the same room) as possible.
- Assemble on a soft level surface to avoid damaging the unit or your floor (use opened out unit carton).



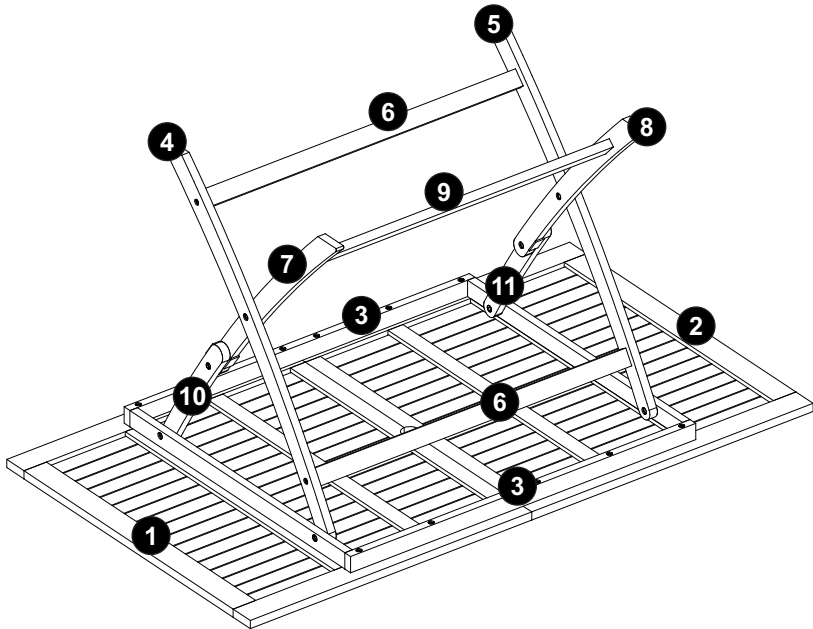
- We do not recommend the use of power drill/drivers **for inserting screws**, as this could damage the unit. Only use hand screwdrivers.
- Dispose of all packaging carefully and responsibly.

CARE AND MAINTENANCE

- Only clean using a damp cloth and mild detergent, do not use bleach or abrasive cleaners.
 - From time to time check that there are no loose screws on this unit.
 - This product should not be discarded with household waste. Take to your local authority waste disposal center.
- Note** *If required the next page can be cut out and used as reference throughout the assembly. Keep this page with these instructions for future reference.*

COMPONENTS

Please check you have all the panels listed below:

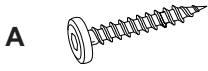


1. Tabletop 1	x 1	7. Leg 3	x 1
2. Tabletop 2	x 1	8. Leg 4	x 1
3. Tabletop support frame	x 2	9. Leg stretcher 2	x 1
4. Leg 1	x 1	10. Leg 5	x 1
5. Leg 2	x 1	11. Leg 6	x 1
6. Leg stretcher 1	x 2		

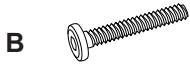


COMPONENTS

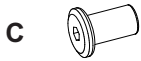
Please check you have all the fittings listed below:



Screw ($\Phi 6 \times 45 \text{mm}$) x 18



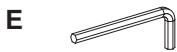
Bolt ($\Phi 6 \times 30 \text{mm}$) x 8



Caps ($\Phi 8 \times 15 \text{mm}$) x 8



Washers ($\Phi 6 / 20 \times 2 \text{mm}$) x 8

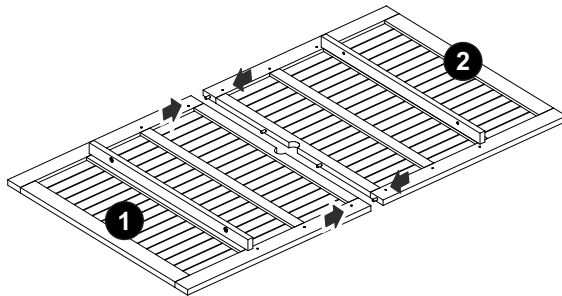


Allen key x 2





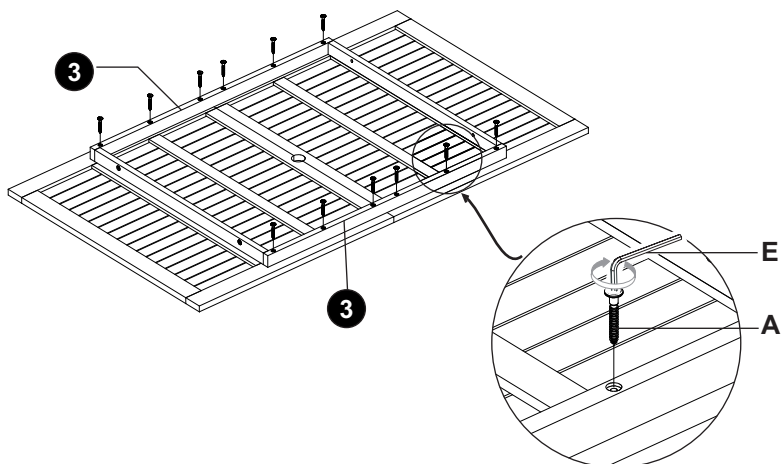
ASSEMBLY INSTRUCTIONS

Step 1





Step 2

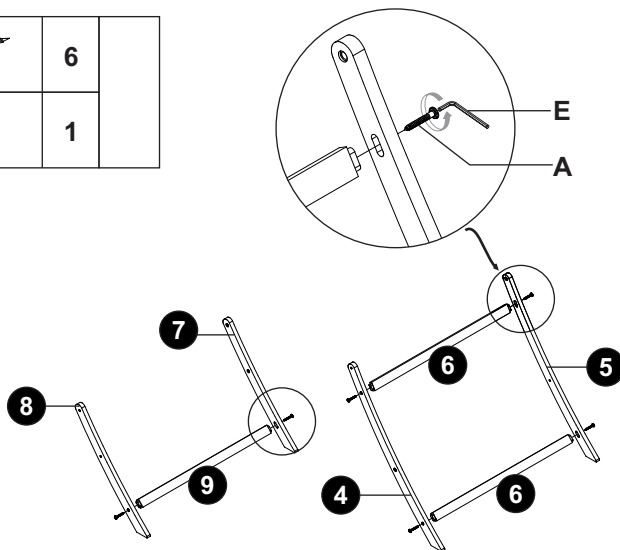
A		12
E		1




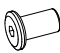

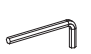
ASSEMBLY INSTRUCTIONS

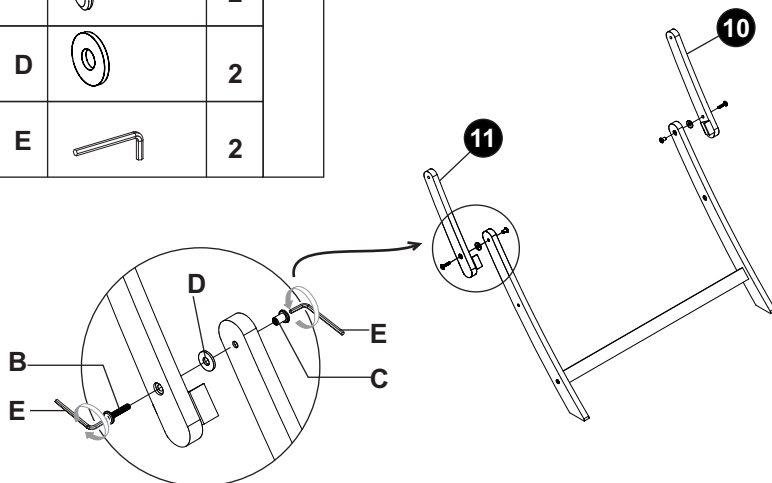
Step 3

A		6	
E		1	



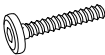
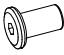


Step 4

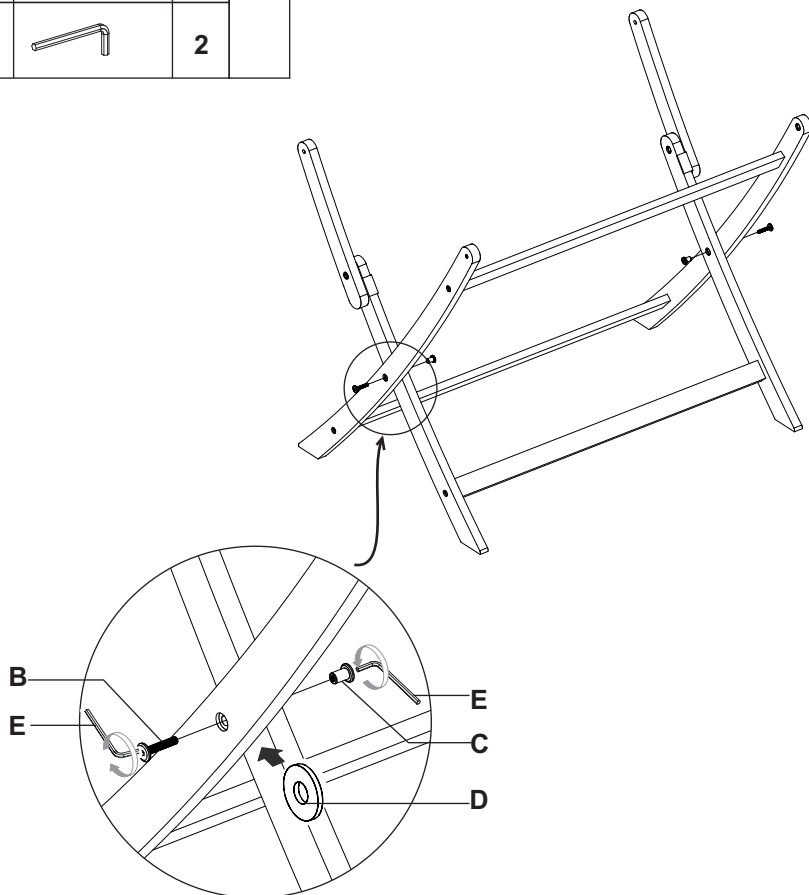
B		2	
C		2	
D		2	
E		2	



ASSEMBLY INSTRUCTIONS

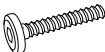
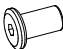


Step 3

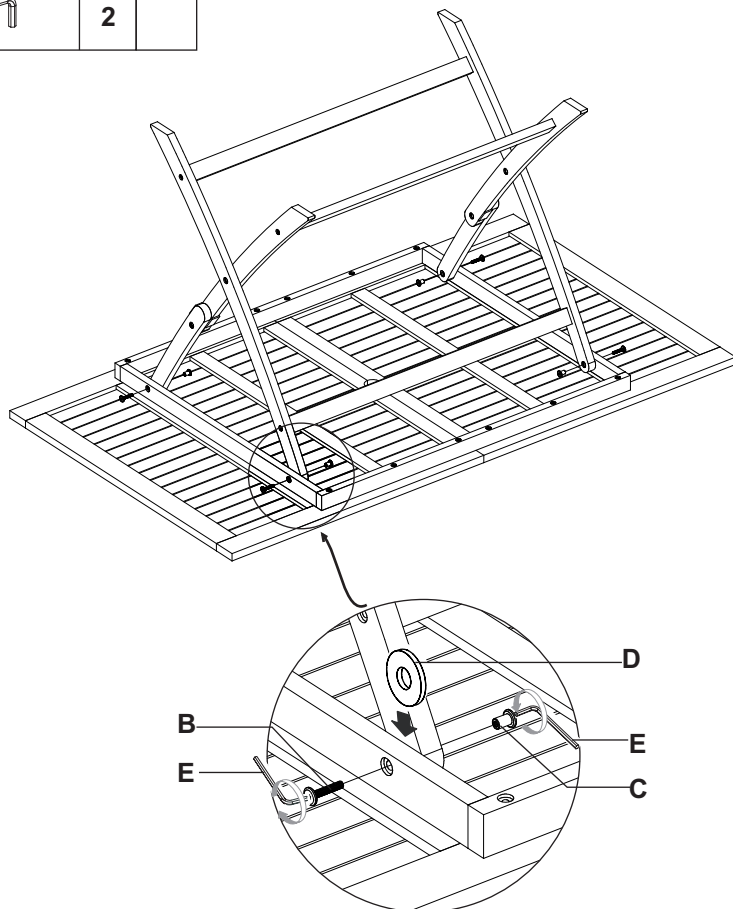
B		2
C		2
D		2
E		2



ASSEMBLY INSTRUCTIONS

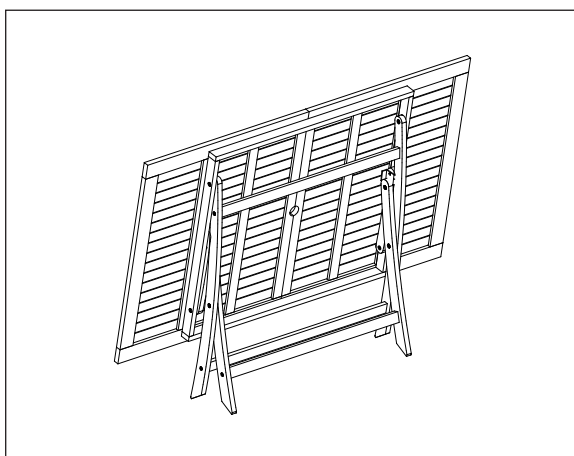
Step 4

B		4	
C		4	
D		4	
E		2	



ASSEMBLY INSTRUCTIONS

Step 5



Congratulations! Now you have finished assembling the product.

IF YOU FIND A DEFECTIVE PART

We fully stock all parts and components. Any defective part can be quickly replaced. Take note of the defective part number in manual and we will arrange a quick replacement.

You can email our team at customercare@laura-james.co.uk

COPYRIGHT

All material in this instruction manual is copyrighted by AGTC Ltd.

Any unauthorised use may violate worldwide copyright, trademark and other laws.

Thank you for purchasing!

Laura James® is a registered trademark of AGTC Ltd.
Made in Vietnam for AGTC LTD S35 9ZX

Laura James

www.laura-james.co.uk