

# ASSEMBLY INSTRUCTIONS

## NIGHTSTAND

### GNS002

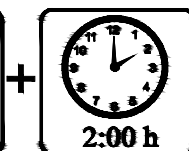
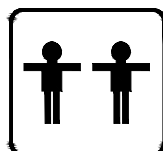
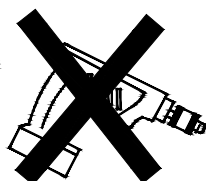


Thank you for purchasing this quality product. Be sure to check all packing material carefully for small parts which may have come loose inside the carton during shipment. Separate, identify and count all parts and hardware.

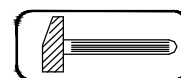
Compare with the parts list to be sure all parts are present.

**"DO NOT TIGHTEN SCREWS UNTIL COMPLETELY ASSEMBLED"**

**\* Use of power tool to assemble this product will invalidate any claim and damage this product making unsafe !!!**  
**\* Please assemble on a clean soft surface to avoid damage.**



Tools Required



(Not included)

**IMPORTANT:**

**PLEASE READ INSTRUCTION BEFORE STARTING THE ASSEMBLY**

Thank you for buying our products.

Please read the installation manual carefully before installation,

we need you to follow the instructions on the accessories and hardware

step by step assembly complete, our instructions are very detailed.

Products are environmentally friendly products,

Please rest assured that you do not soak in water, do not place very heavy items,

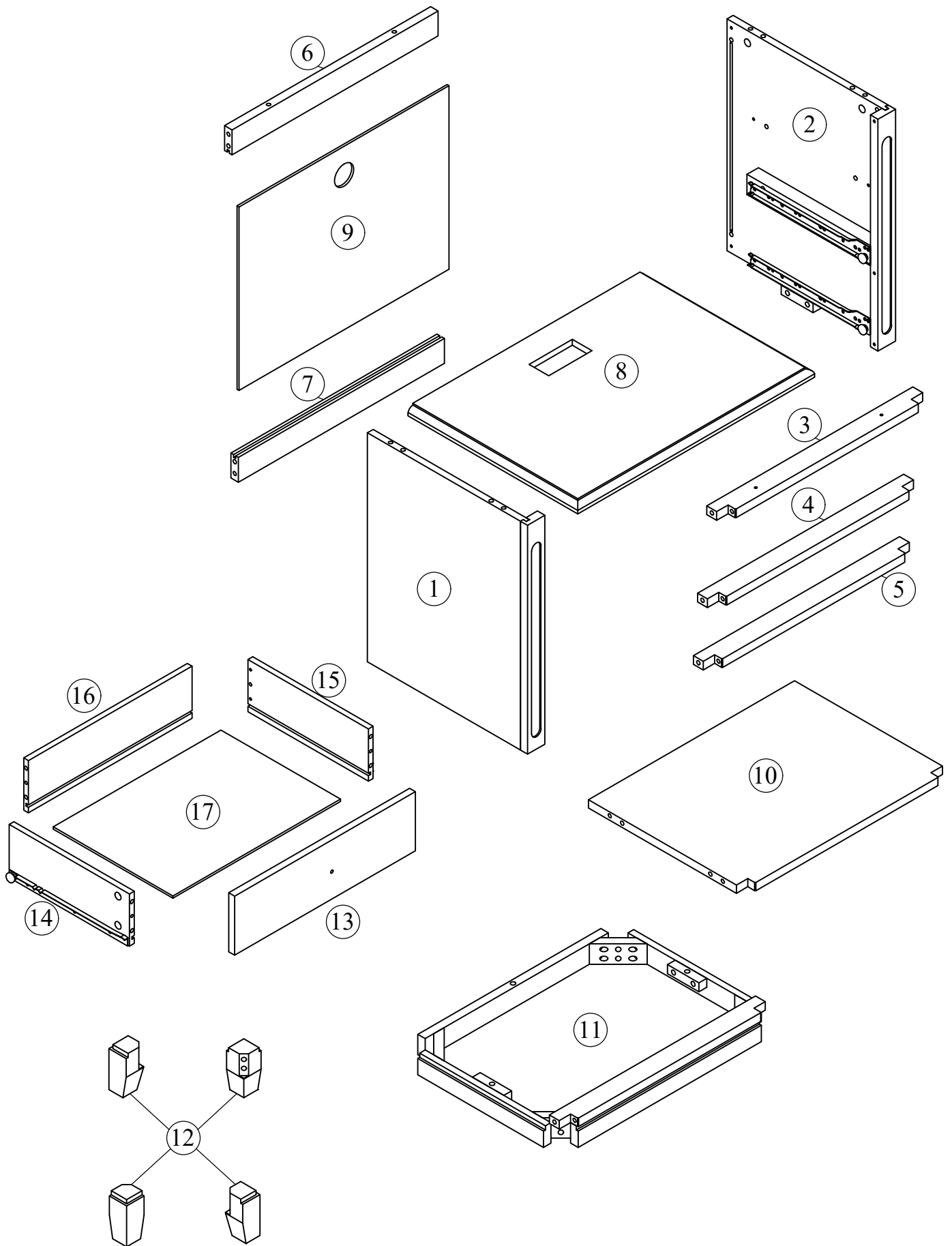
do not malicious push and pull,

if you have any problems in the process of assembly and use, please contact us.

Thank you again for your purchase of our products,

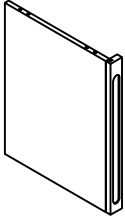
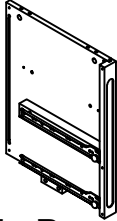
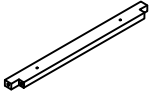
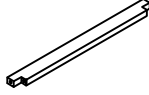
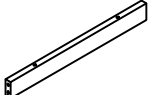
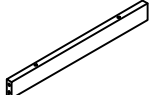

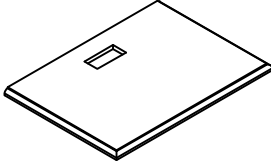
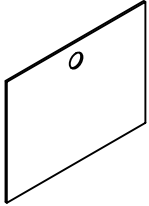
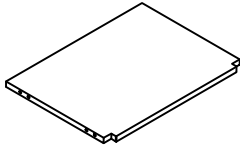
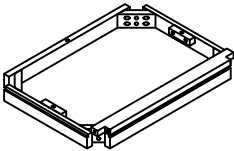

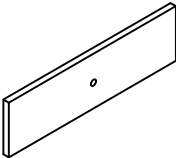
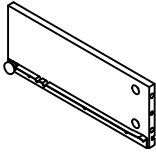
I wish you a happy life.

# Detail View - CABINET



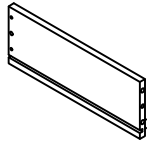
**Identifying the Hardware**-Identify the hardware using the illustrations below.

# Part List

<p>1</p>  <p>Side Panel (L) - 1pc</p>	<p>2</p>  <p>Side Panel (R) - 1pc</p>
<p>3</p>  <p>Top Panel Rear - 1pc</p>	<p>4</p>  <p>Top Bar Rear - 1pc</p>
<p>5</p>  <p>Mid Panel Rear - 1pc</p>	<p>6</p>  <p>Mid Panel Rear - 1pc</p>
<p>7</p>  <p>Bottom Panel Rear - 1pc</p>	<p>8</p>  <p>Top Panel - 1pc</p>
<p>9</p>  <p>Back Panel - 1pc</p>	<p>10</p>  <p>Bottom Panel - 1pc</p>
<p>11</p>  <p>Drawer Front Panel</p>	<p>12</p>  <p>Cabinet Feet - 4pcs</p>
<p>13</p>  <p>Drawer Face - 2pcs</p>	<p>14</p>  <p>Drawer Side Panel (L) - 2pcs</p>

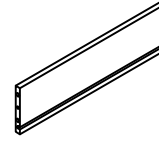
# Part List

15



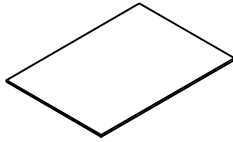
Drawer Side Panel (R) - 2pcs

16



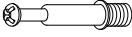




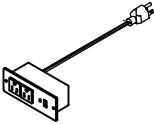

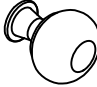
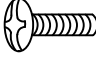





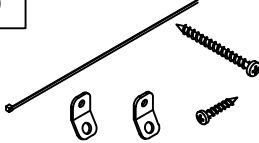
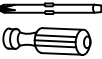
Drawer Back Panel - 2pcs

17



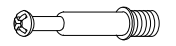
Bottom Drawer Panel - 2pcs

# Hardware List

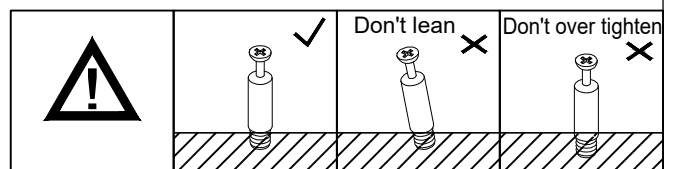
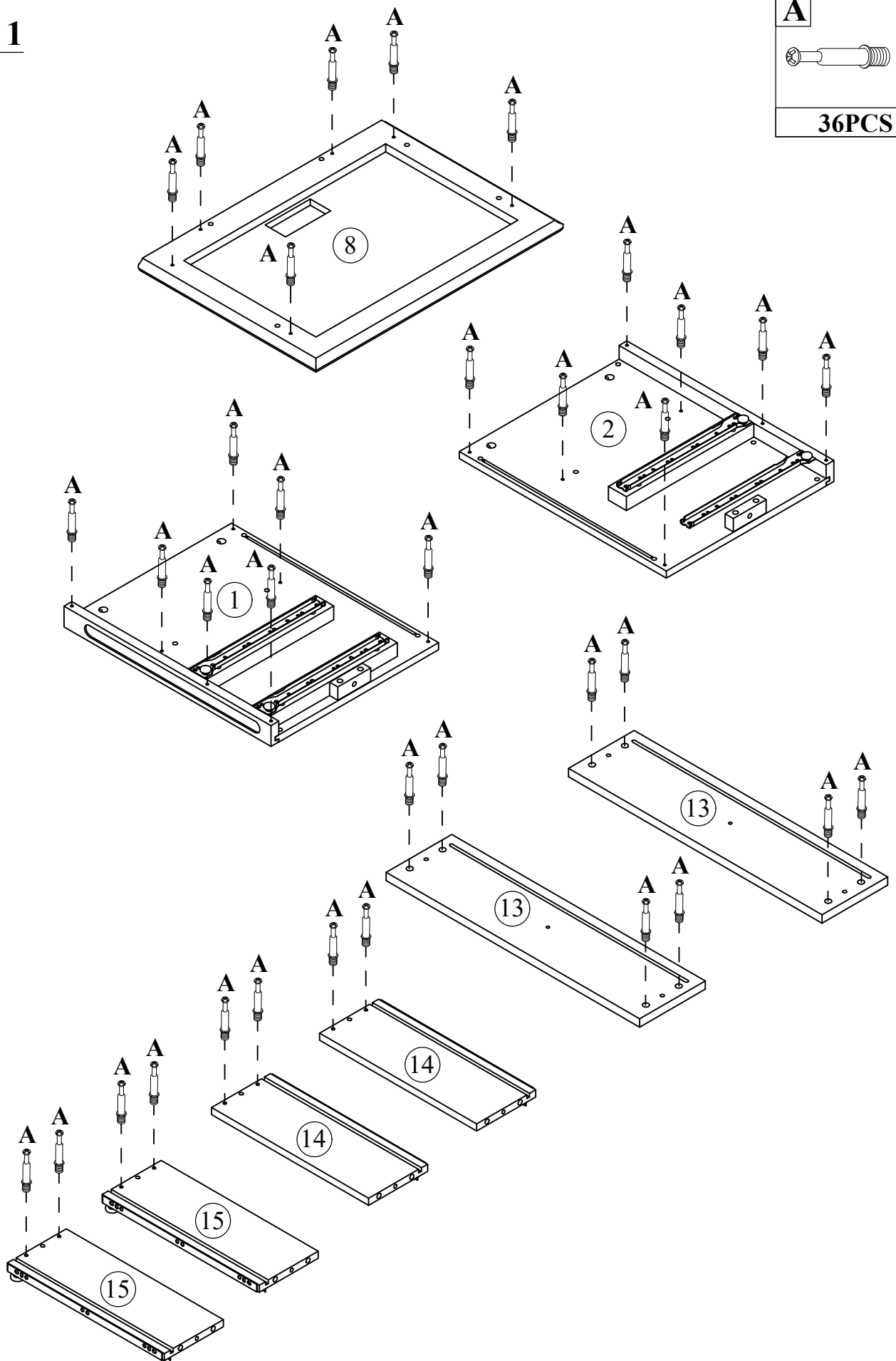
<p><b>A</b></p>  <p>ø6x33mm</p>	<p><b>B</b></p>  <p>ø14.5x12mm</p>	<p><b>C</b></p>  <p>ø14.5x9.5mm</p>
<p>Three in one bolts (36pcs)      Three in one lock (20pcs)      Three in one lock (16pcs)</p>		
<p><b>D</b></p>  <p>ø8x30mm</p>	<p><b>E</b></p>  <p>ø6x30mm</p>	<p><b>F</b></p> 
<p>Wood dowel (18pcs)      Wood dowel (8pcs)      USB Power Socket (1pc)</p>		
<p><b>G</b></p>  <p>ø7xø3.5x12mm</p>	<p><b>H</b></p>  <p>ø28x23mm</p>	<p><b>I</b></p>  <p>ø5/32x25mm</p>
<p>Flat head screw (2pcs)      Handle (2pcs)      Handle screw (2pcs)</p>		
<p><b>J</b></p>  <p>ø8xø4x32mm</p>	<p><b>K</b></p>  <p>ø1/4"x50mm</p>	<p><b>L</b></p>  <p>ø1/4"x32mm</p>
<p>Round head screw(2pcs)      Hex-Head bolts(9pcs)      Hex-Head bolts(3pcs)</p>		
<p><b>M</b></p>  <p>ø1/4"x16x1mm</p>	<p><b>N</b></p>  <p>4mm</p>	<p><b>O</b></p> 
<p>Washer (8pcs)      Allen key(1pc)      Anti fall hardware(1set)</p>		
<p><b>P</b></p>  <p>5.6x135mm</p> <p>Big screw(1pc)</p>		

# STEP: 1


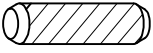
A

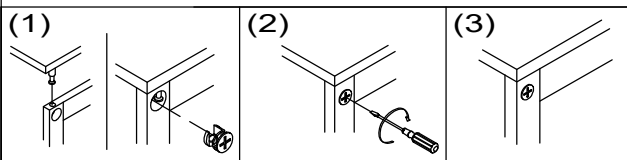
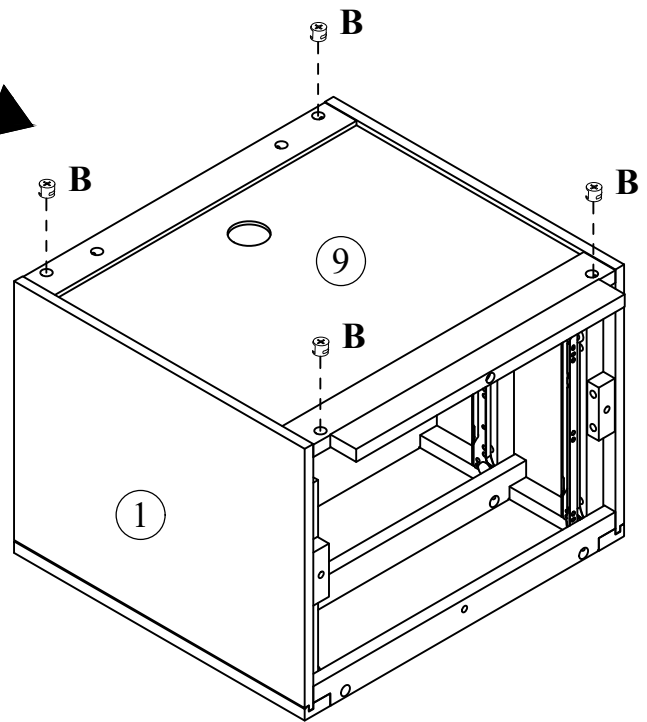
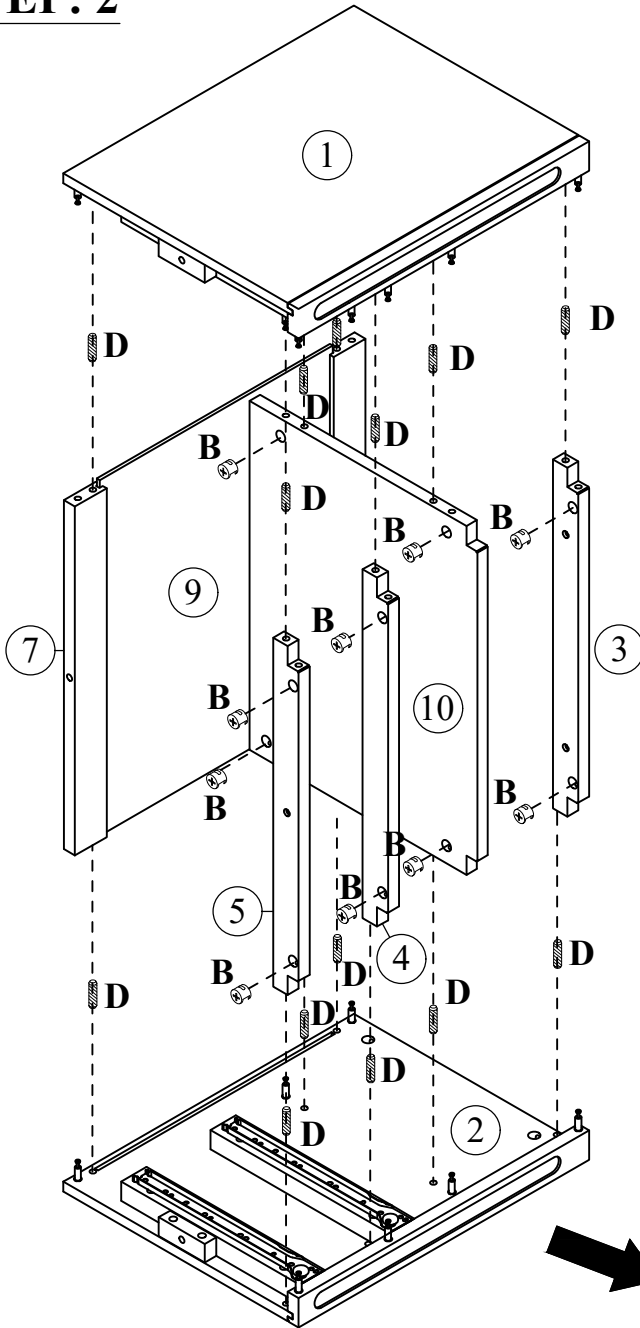


36PCS


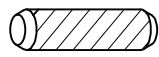
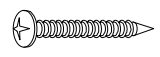


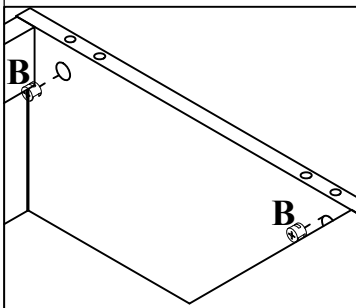
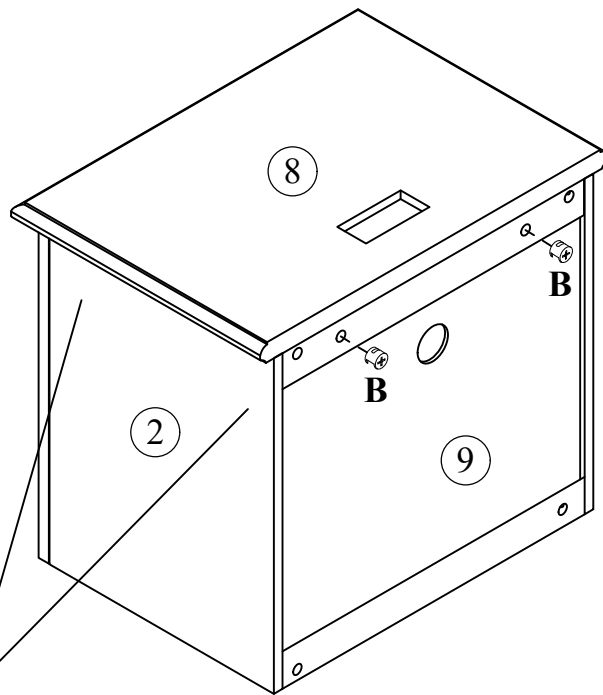
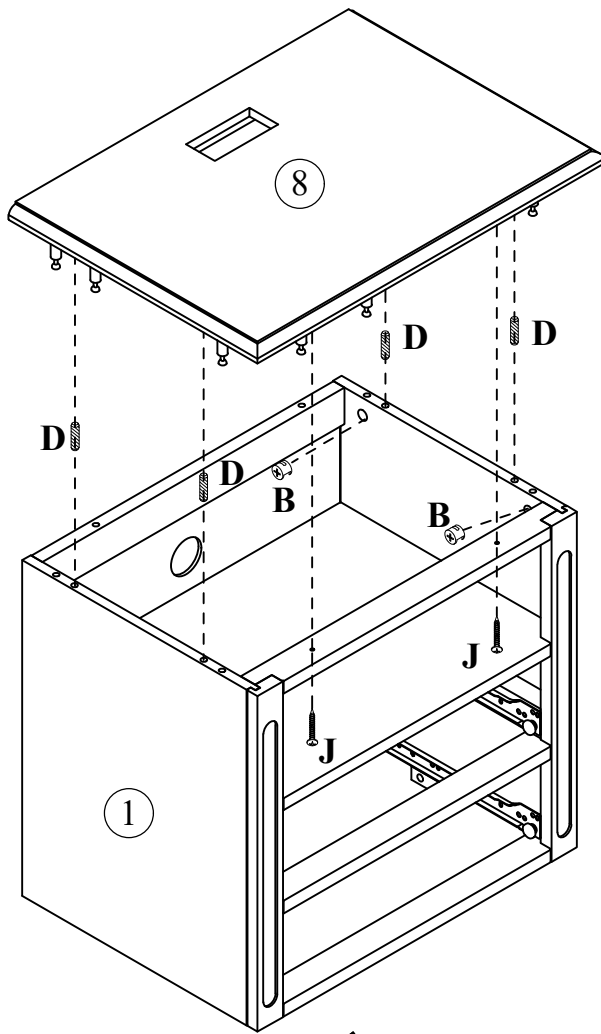
# STEP: 2

<b>B</b> 	<b>D</b> 
<b>14PCS</b>	<b>14PCS</b>







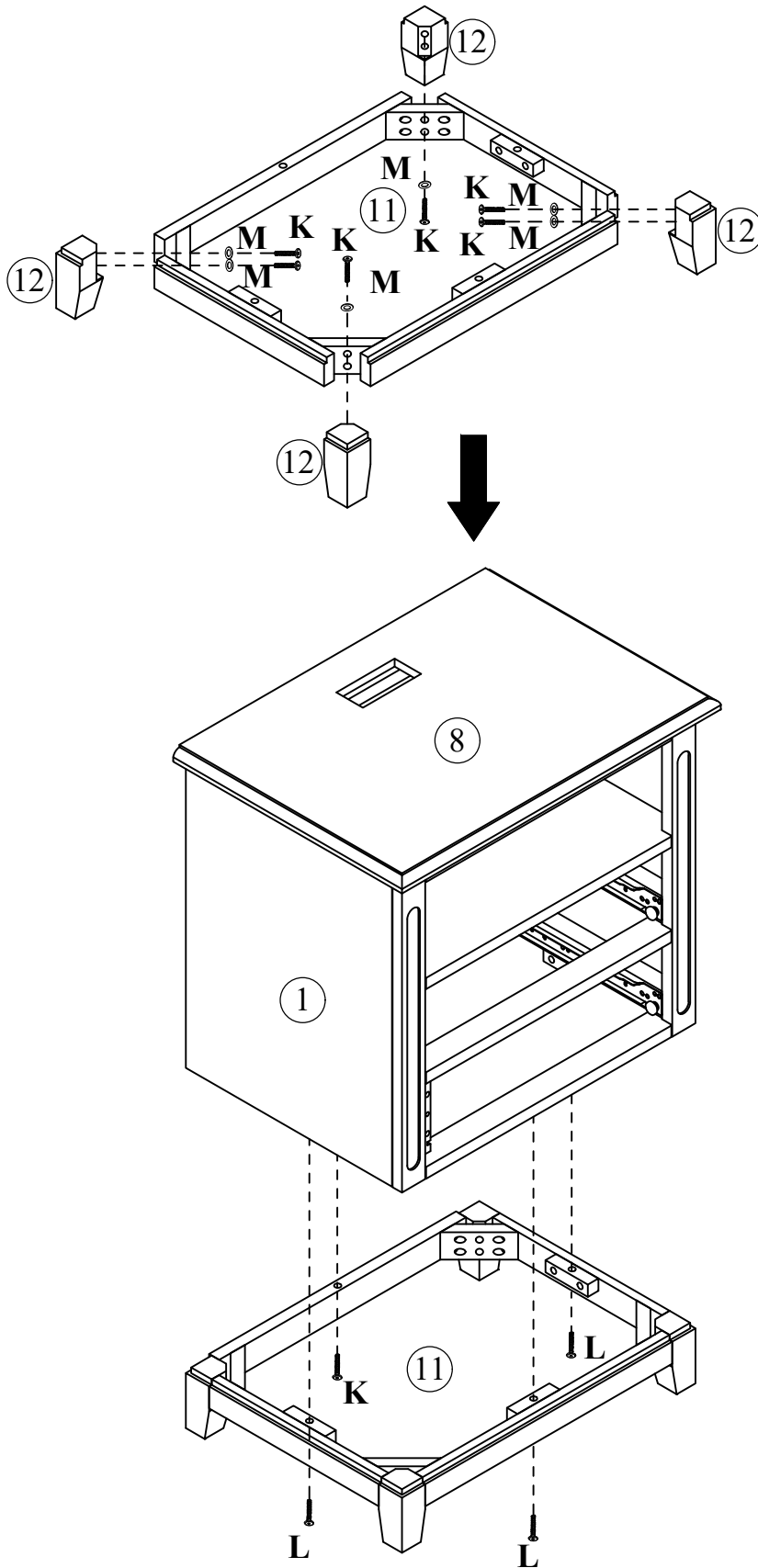
# STEP: 3

<b>B</b> 	<b>D</b> 	<b>J</b> 
<b>4PCS</b>	<b>6PCS</b>	<b>2PCS</b>

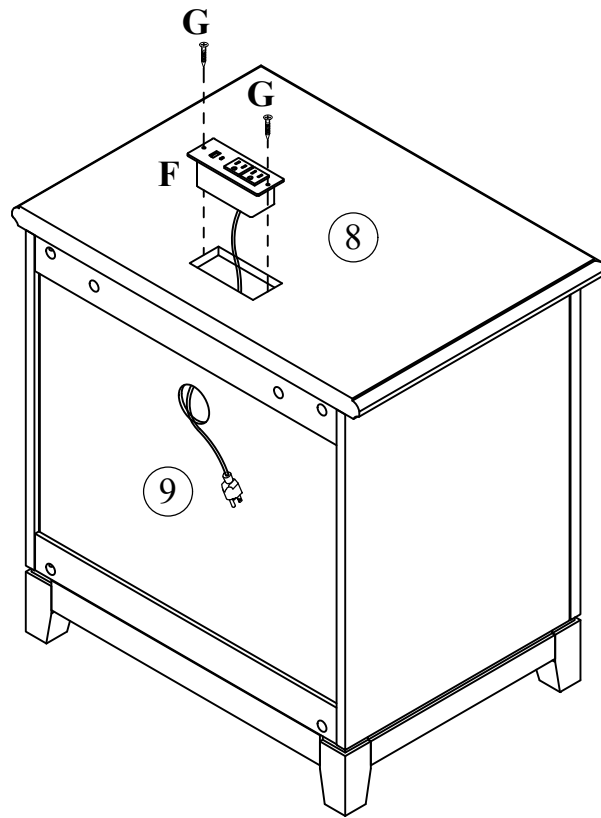


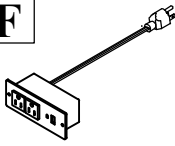

# STEP: 4

<b>K</b> 	<b>L</b> 	<b>M</b> 	<b>N</b> 
<b>9PCS</b>	<b>3PCS</b>	<b>8PCS</b>	<b>1PCS</b>

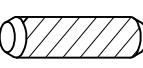

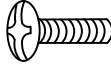



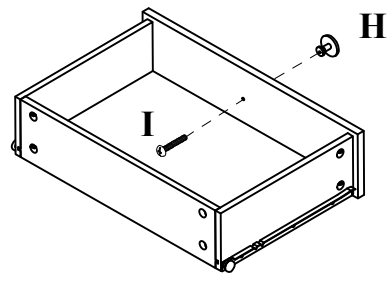
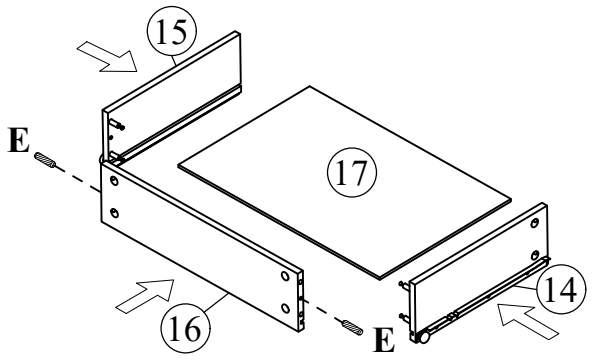
# STEP: 5



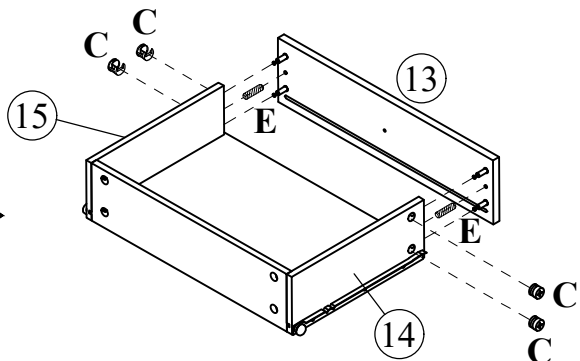
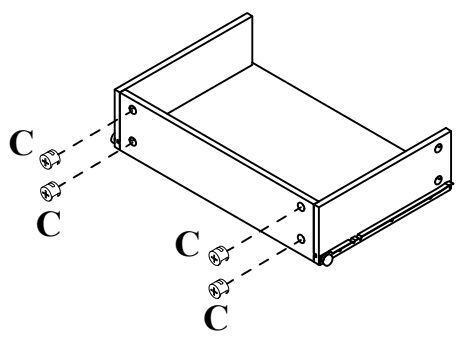
<b>F</b>		<b>G</b>	
	1PC		2PCS

# STEP: 6

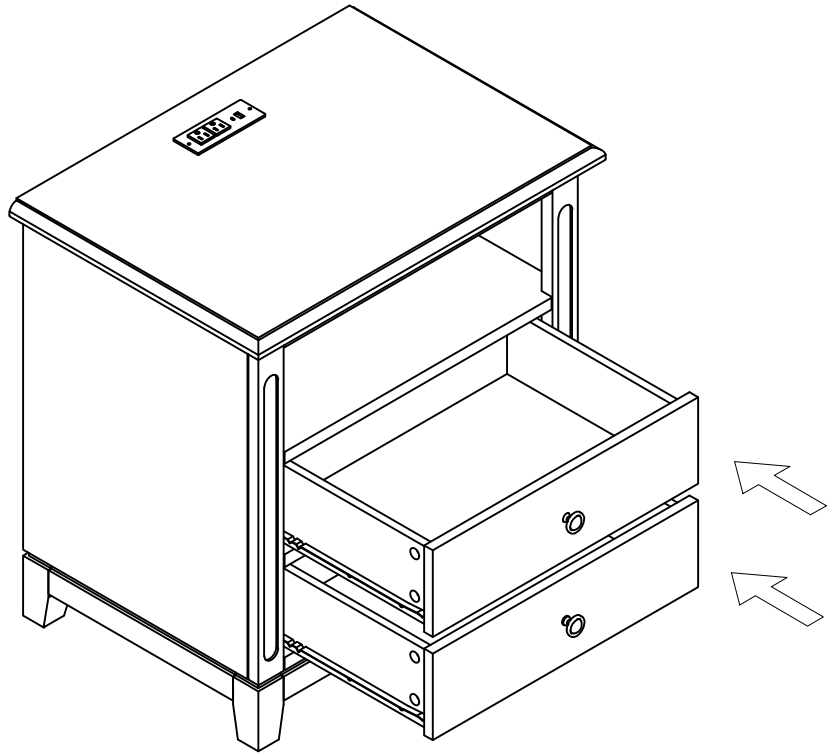
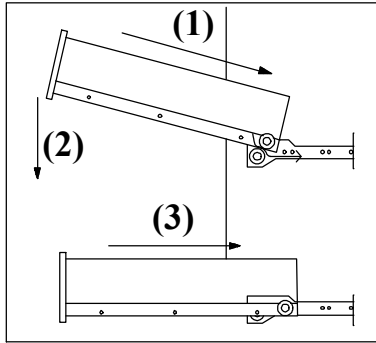
<b>E</b>		<b>H</b>		<b>I</b>		<b>C</b>	
	8PCS		2PCS		2PCS		16PCS



**X2**

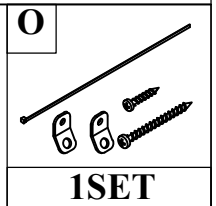
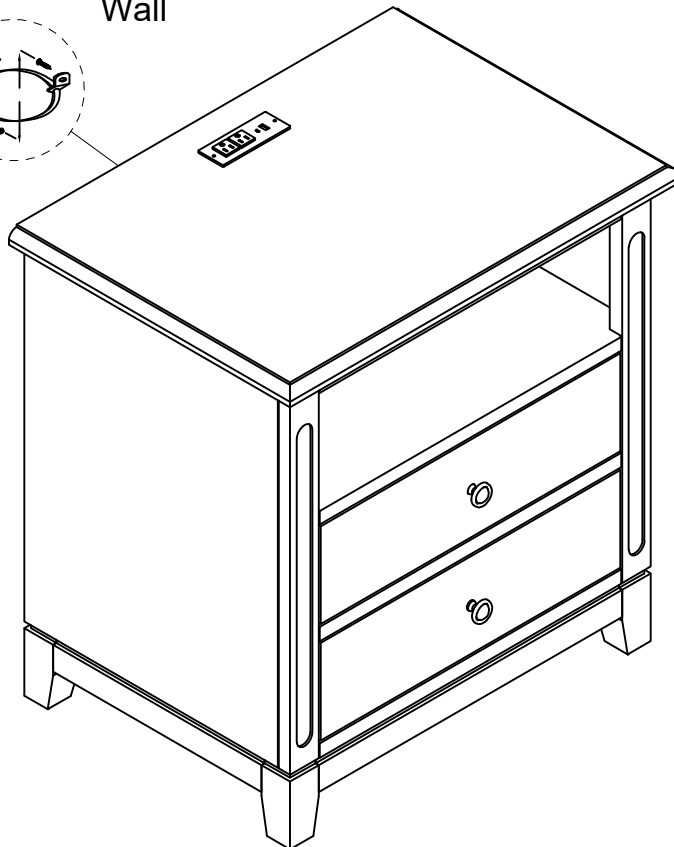
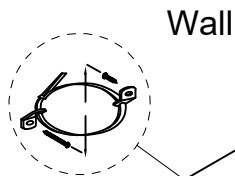


## STEP: 7



\*Please ensure that you have matched the wheels on BOTH sides of the drawer with the wheels on rails installed BEFORE push in the drawer.

## STEP: 8



**STEP: 9**

