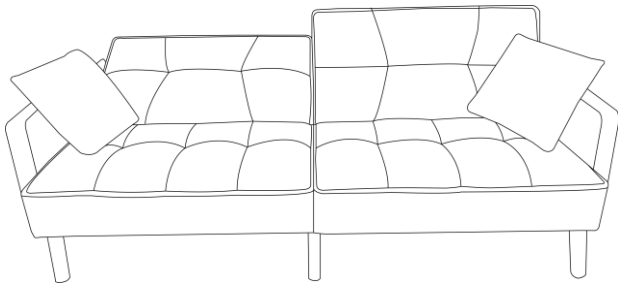


Assembly Instruction #2864 Futon

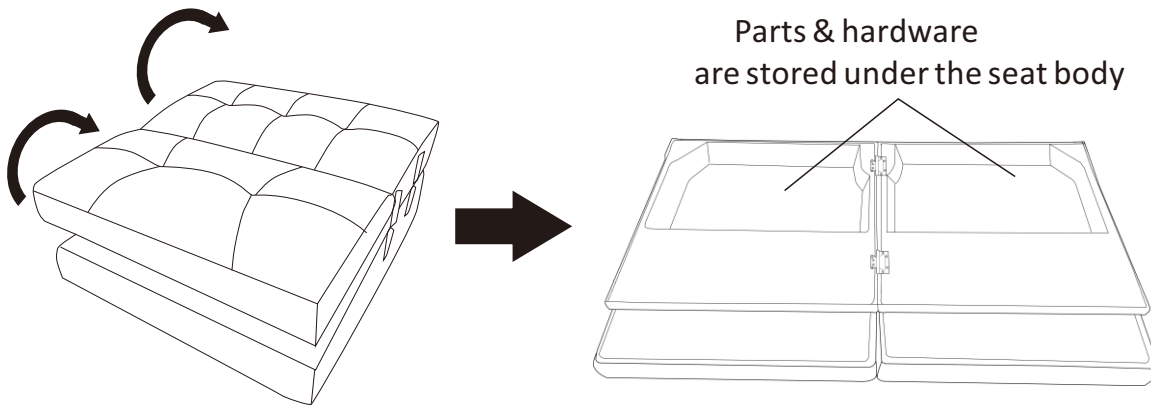


CAUTION:

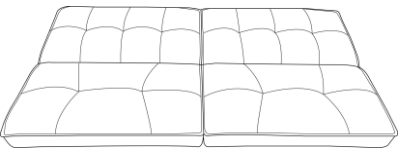
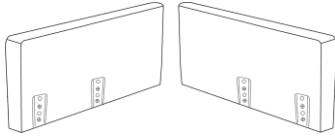
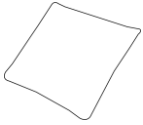
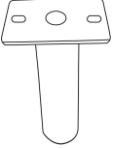



At least two adults are required to safely complete this task. Individual attempts may result in back injury due to large and heavy part(s).

Step 1 ▼

Carefully unpack parts/hardware from the storage located under the seat body and place on a clean flat surface.



Parts List

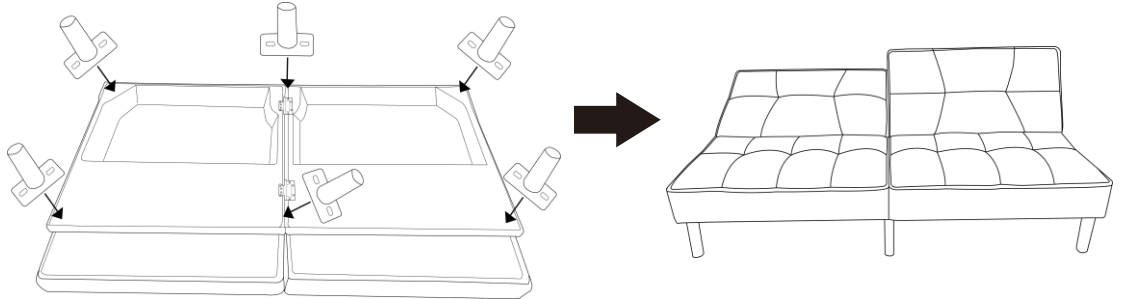
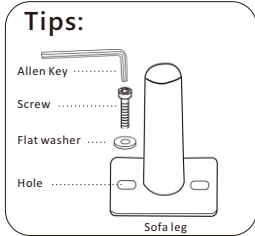
 Sofa Body x 1pc	 Arms x 1 pair	 Throw cushions x 2pcs	
 Sofa legs x 6pcs	 Screws x 12pcs	 Flat Washer x 12pcs	 Allen Key x 1pc

Assembly Instruction #2864 Futon

Step 2 ▼

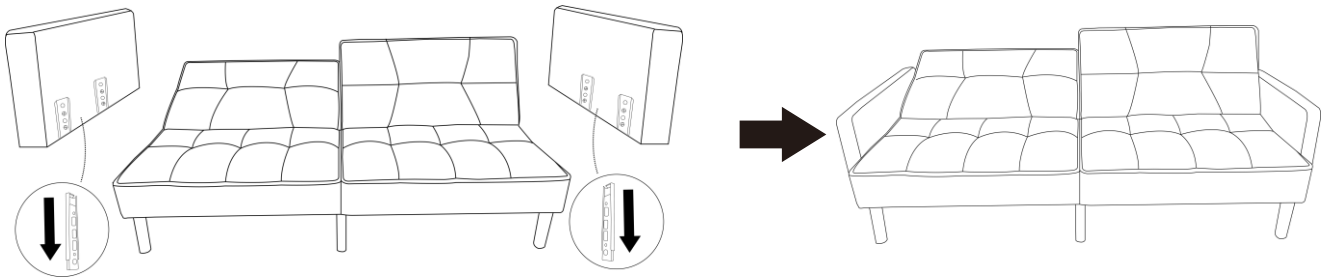
Sofa legs assembling:

Align 6pcs legs into the pre-drilled holes and secure by screw and flat washer. Please avoid over-tightening.



Step 3 ▼

Insert the arms metal plates to both sides of seat body as shown below. Ensuring it is correctly in place.



Step 4 ▼

Put the throw cushions on the seat.

Your sofa just sent on a long trip. During storage and transport, some upholstered parts may have been pushed in and stitching lines may have been moved. Take a couple of minutes to straighten and slightly beat the upholstered parts.

