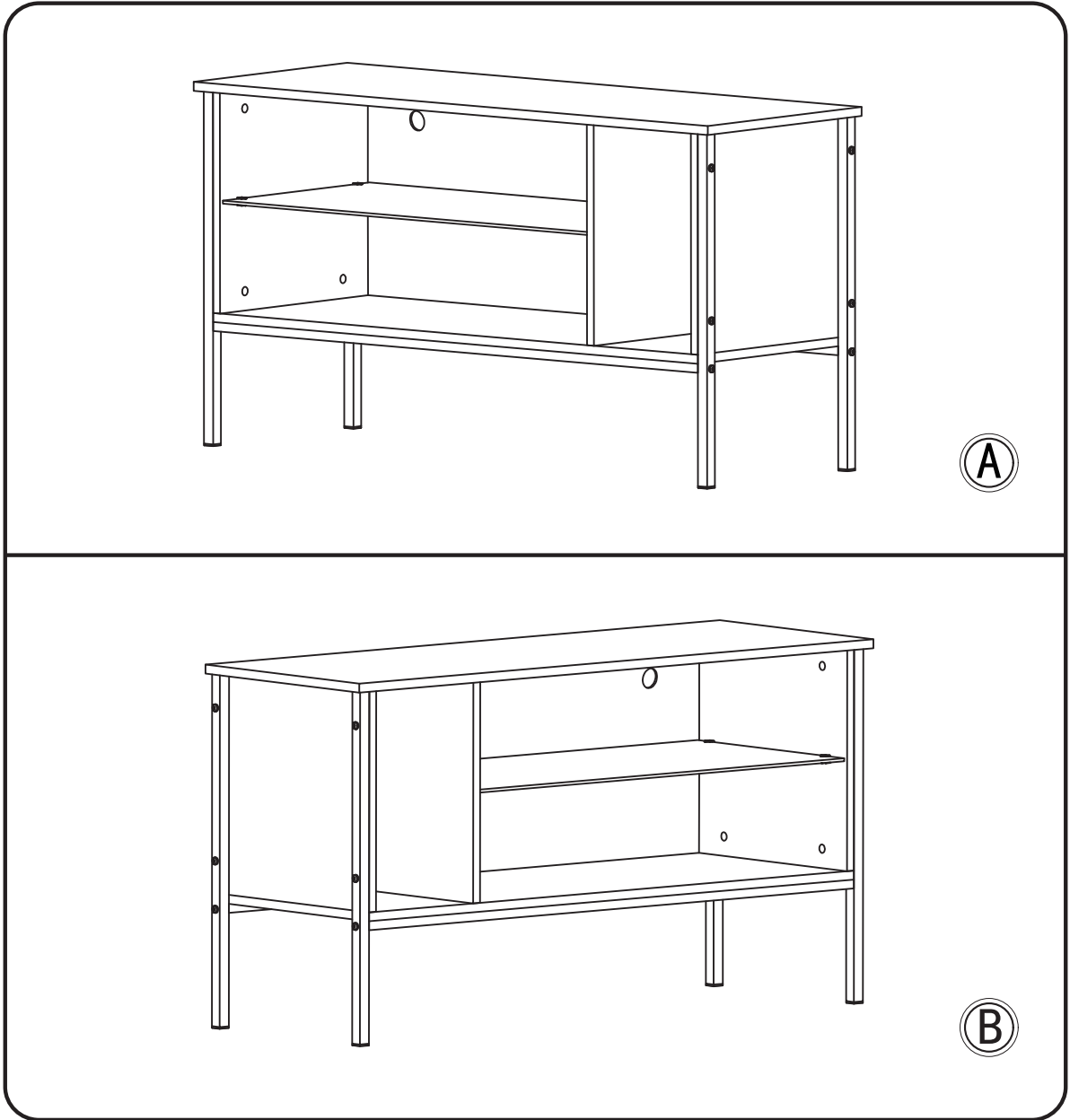


PRODUCT NAME:

**ASSEMBLY
INSTRUCTION**

44" TV Stand with LED



HELPFUL HINTS

! BEFORE YOU START

- Inspect product packaging to ensure the appearance is good.
- Read the assembly instruction carefully and follow it step by step.
- To avoid any scratching, putting a soft blanket on the floor is suggested.
- Identify, sort and count all the parts with tags.
- Find out installation position according to the drawing and install it in correct steps.

! OTHER

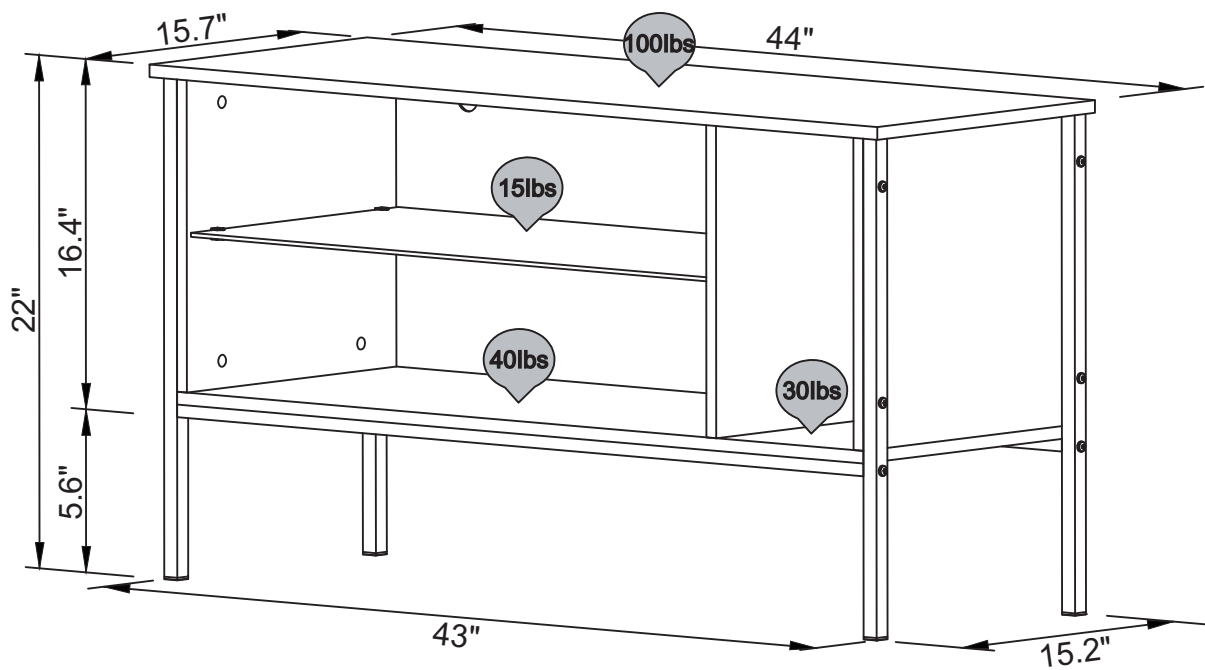
- People needed for assembly: 1-2
- Estimated assembly time: 0.5-1.5h

! CAUTION

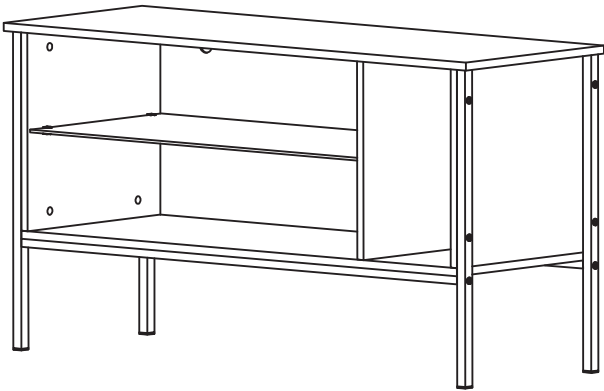

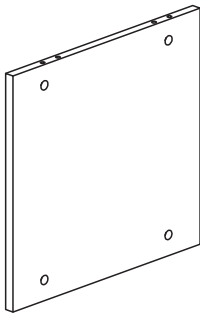
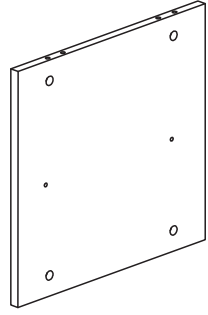
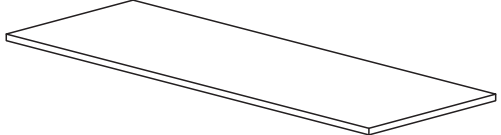
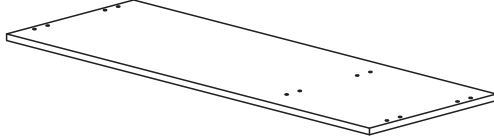
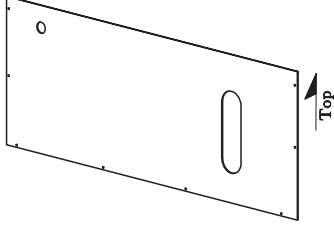
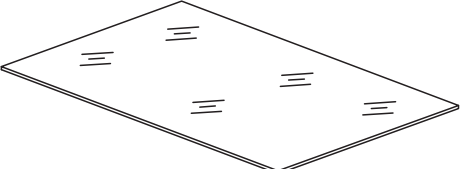
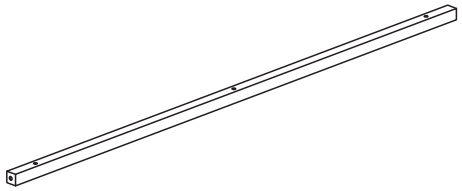
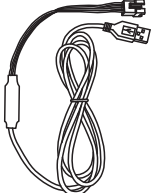

- Be cautious when using a power drill or power screwdriver.
- Please be aware to slow down and stop when screw is nearly tight.
- Do Not use any harsh chemicals or abrasive cleaners for this item.
- Push, pull or drag this item carefully.

DETAILS

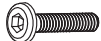
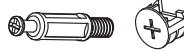









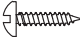

UNIT: INCH

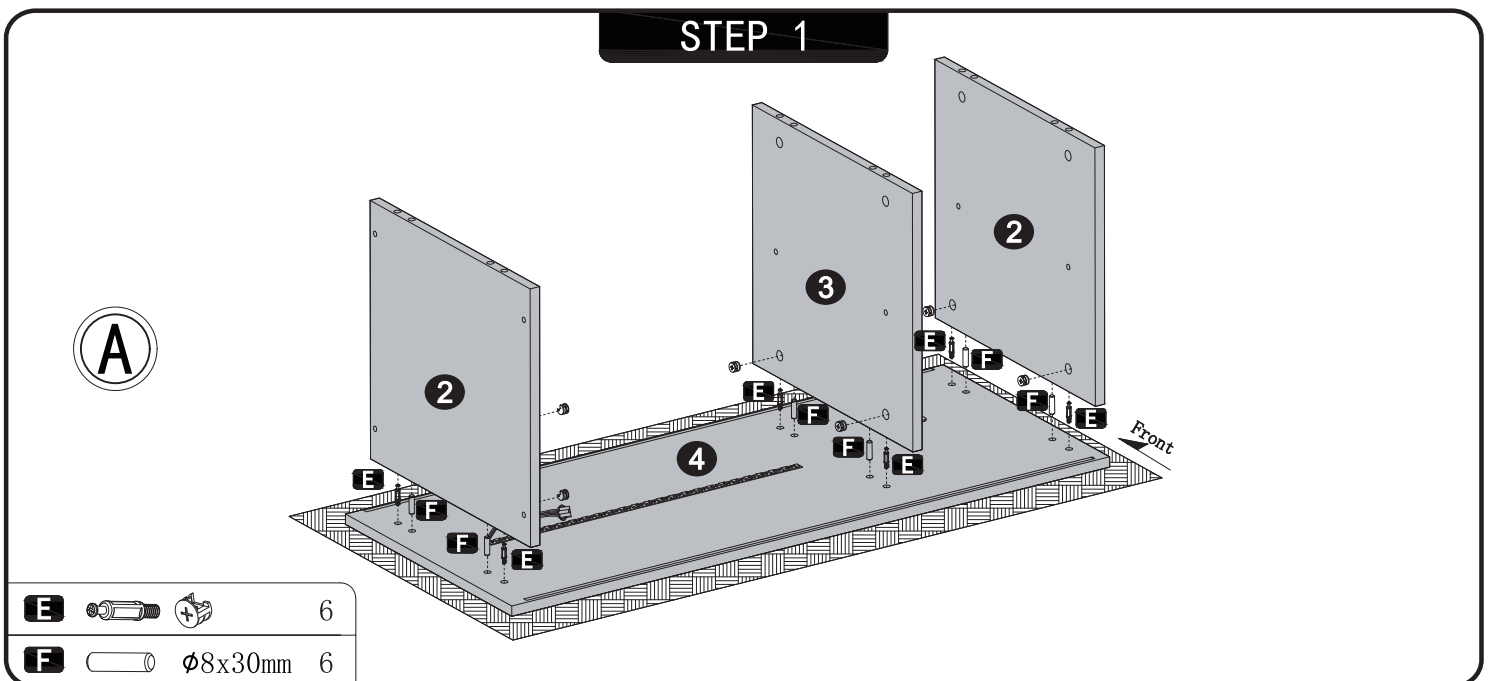
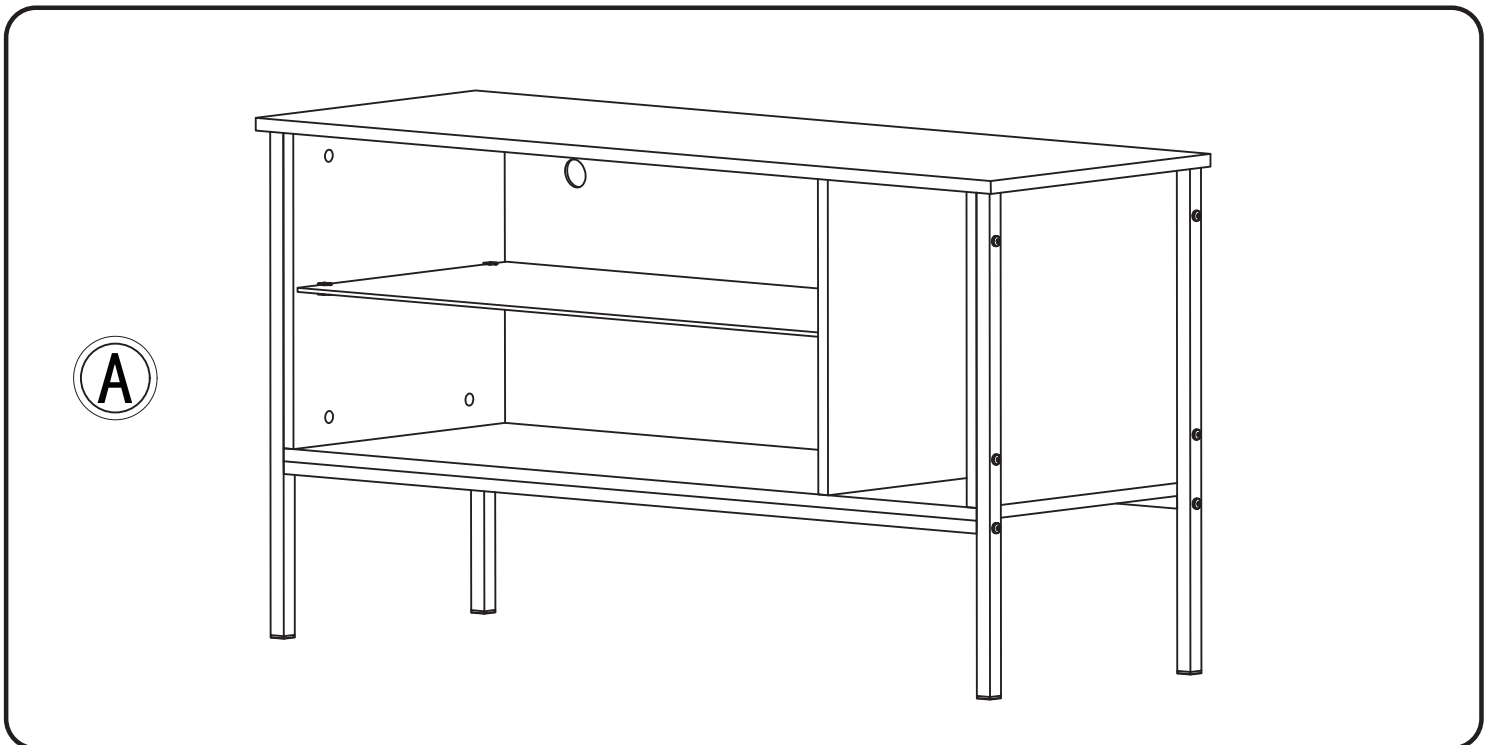


PART LIST

	<p>1</p>  <p>X4</p>	
<p>2</p>  <p>X2</p>	<p>3</p>  <p>X1</p>	<p>4</p>  <p>X1</p>
<p>5</p>  <p>X1</p>	<p>6</p>  <p>X1</p>	
<p>7</p>  <p>X1</p>	<p>8</p>  <p>X2</p>	
<p>9</p>  <p>X1</p>	<p>10</p>  <p>X1</p>	

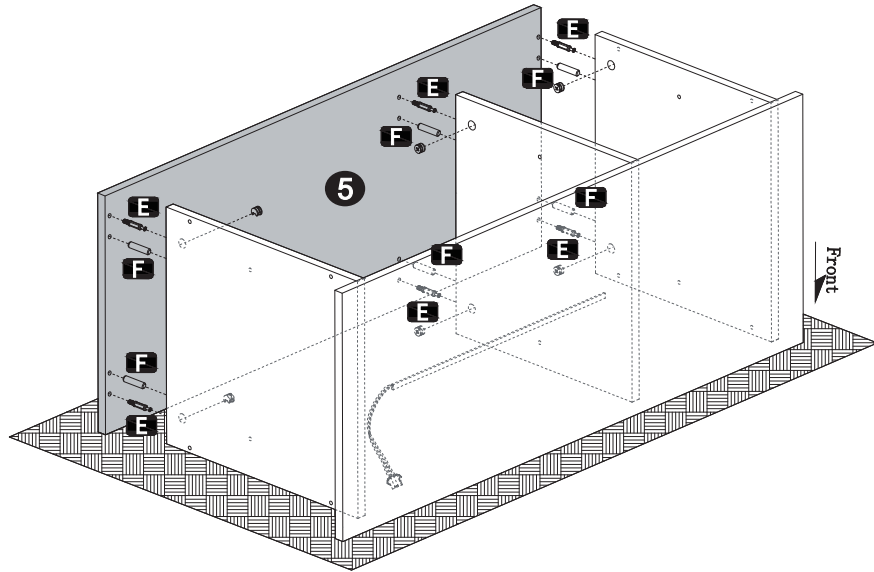
ACCESSORY LIST

No.	PICTURE	SIZE	QTY	No.	PICTURE	SIZE	QTY
A		M6x30mm	6	E			12
B		M6x35mm	8	F		∅8x30mm	12
C		M6x40mm	4	G			4
D		ST3.5x16mm	8	H			1
WA		ST3.5x38mm	2	WD			2
WB			2	WE		ST3.5x16mm	2
WC			4	※Screw WE is not needed throughout installation, please just keep it.			




STEP 2

A

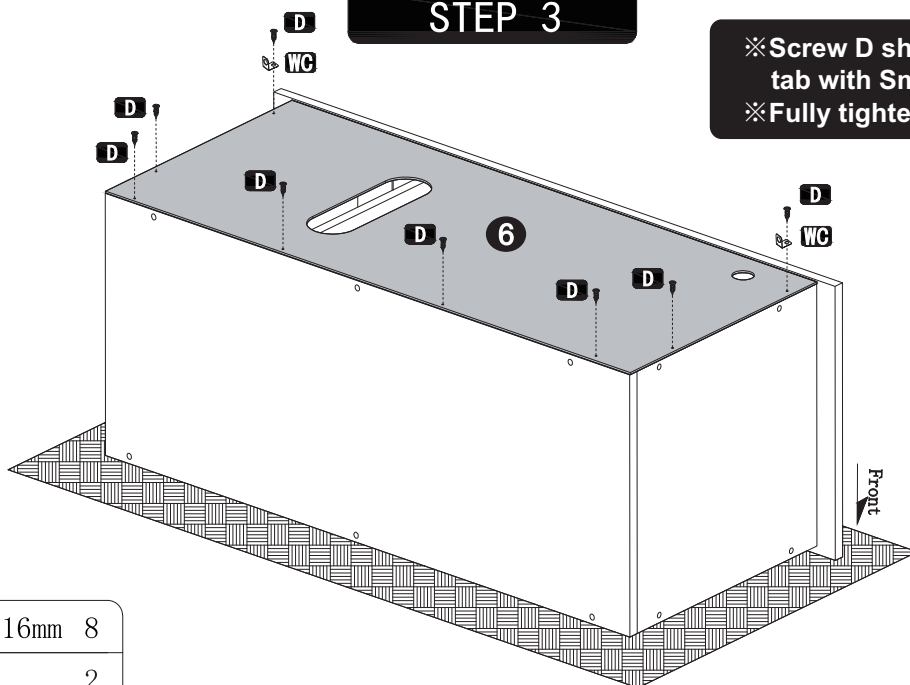


E  6

F  $\phi 8 \times 30 \text{mm}$ 6

STEP 3

A



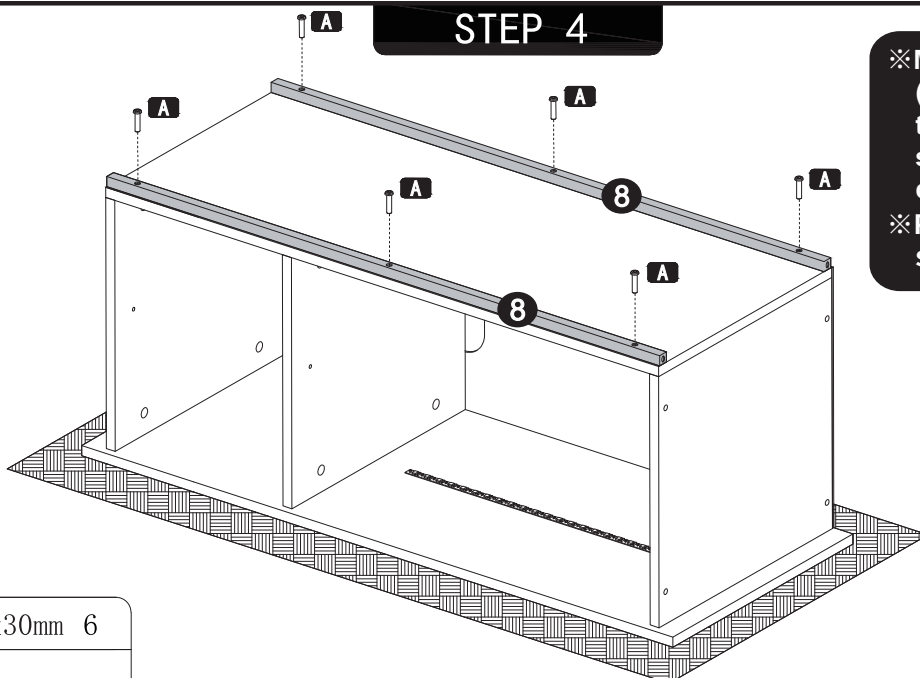
※Screw D should go through the tab with Smaller Hole of WC.
 ※Fully tighten the screws.

D  ST3.5x16mm 8

WC  2

STEP 4

A



※Make sure Screw A (M6x30mm) is used in this step. Wrong/Longer screws will cause damages for the boards.
 ※Partially tighten the screws.

A  M6x30mm 6

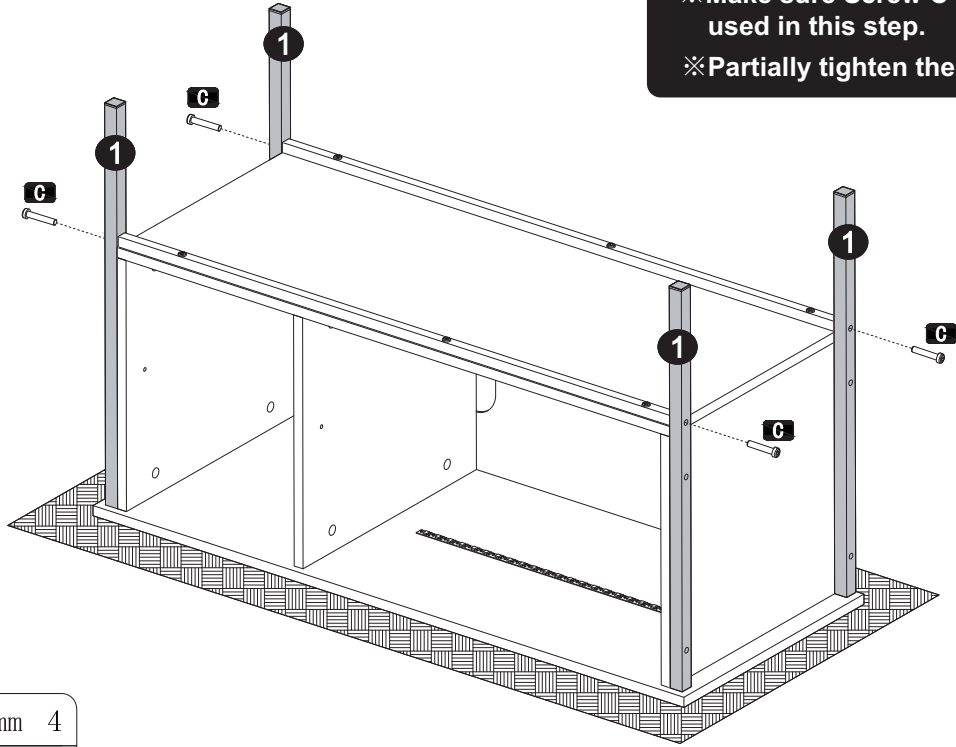
8 

STEP 5

※Make sure Screw C (M6×40mm) is used in this step.

※Partially tighten the screws.

A



C  M6x40mm 4

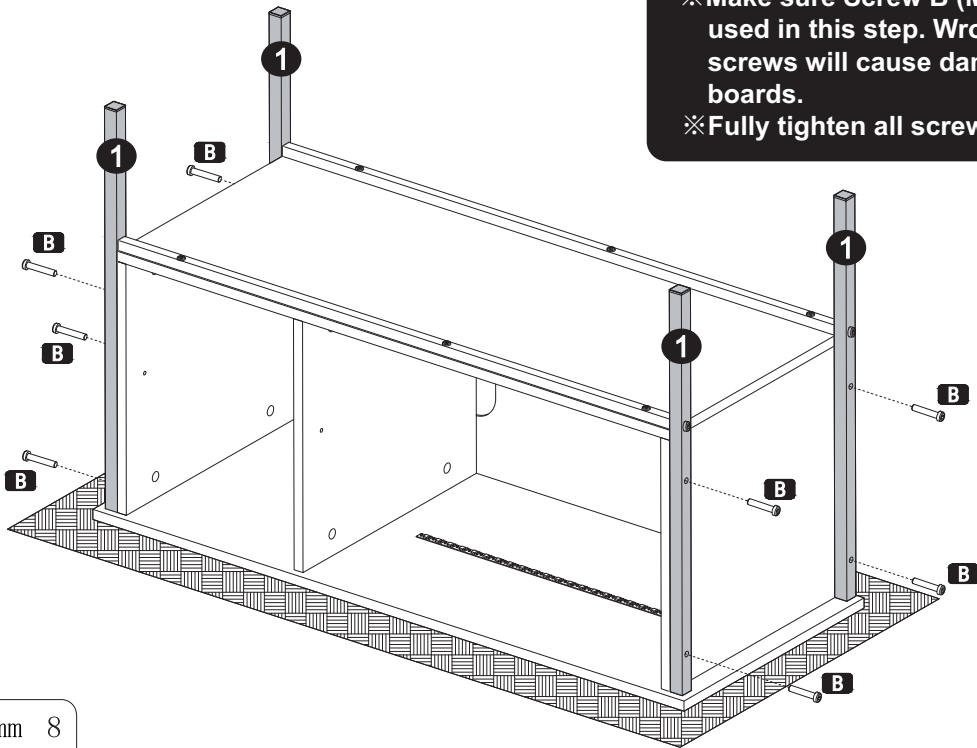


STEP 6

※Make sure Screw B (M6×35mm) is used in this step. Wrong/Longer screws will cause damages for the boards.

※Fully tighten all screws.

A



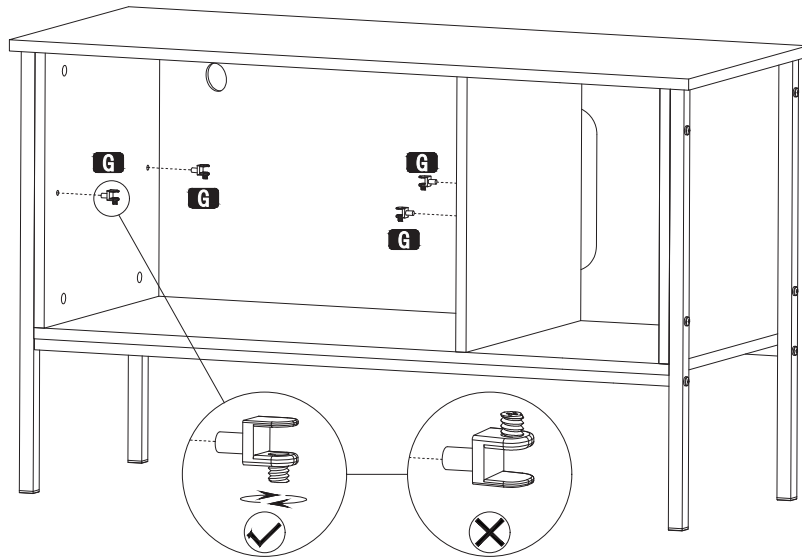
B  M6x35mm 8



STEP 7

※In order to place the glass board, partially loosen the white plastic bolt of Accessory G until it is flushed with the lower metal part.

A

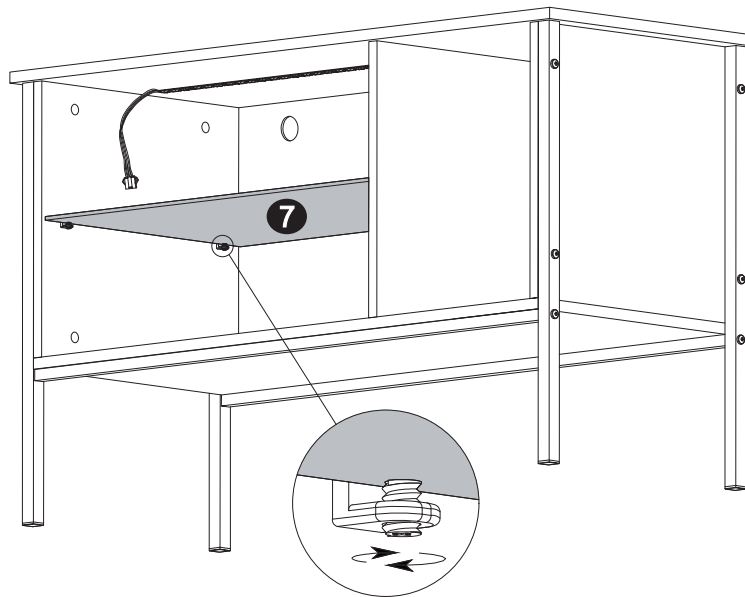


G  4

STEP 8

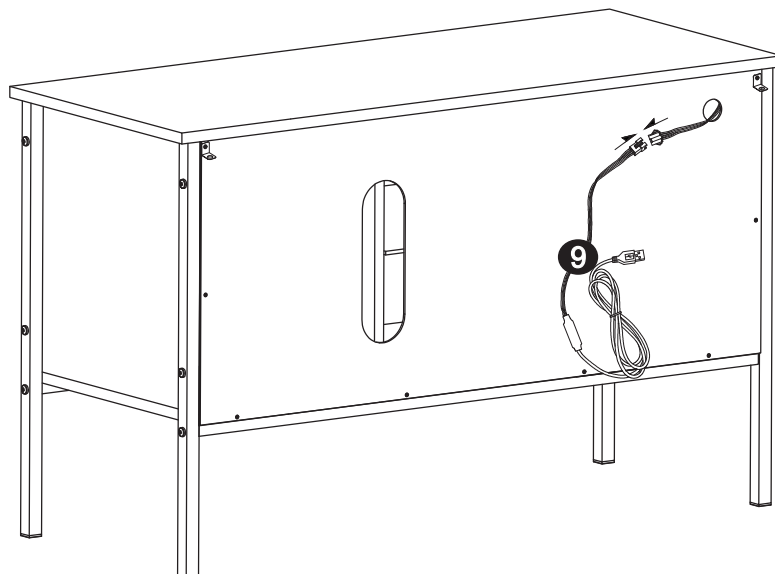
※Please carefully put into the glass board. Tighten up all white plastic bolts to make sure the glass board is clamped.

A



STEP 9

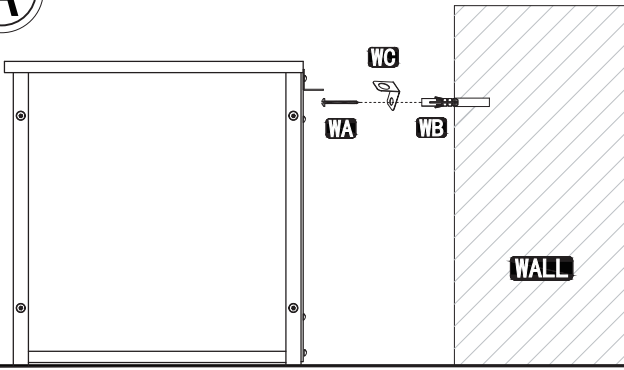
A



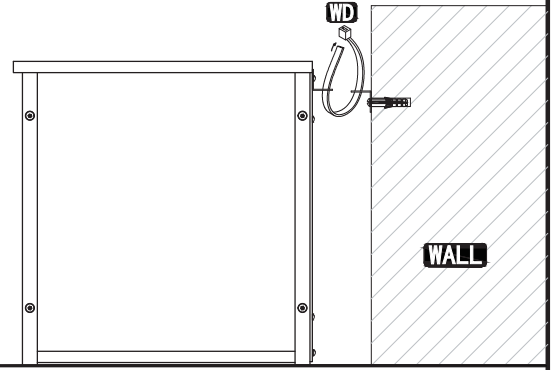
STEP 10

A

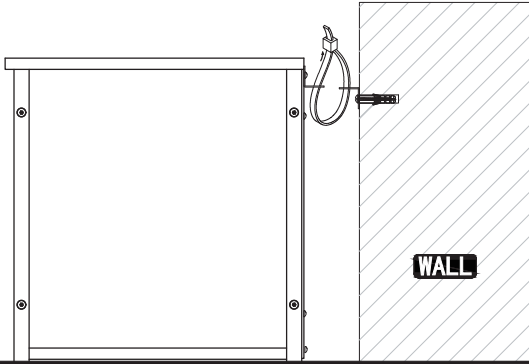
1



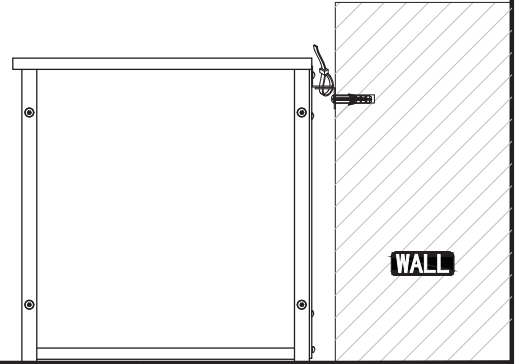
2



3



4



WA  ST3.5x38mm 2

WB  2

WC  2

WD  2

※Please fasten the TV stand to your wall for protection and safety.

1. Drill 2 holes (dia 5/16") in the wall and insert WB into holes.

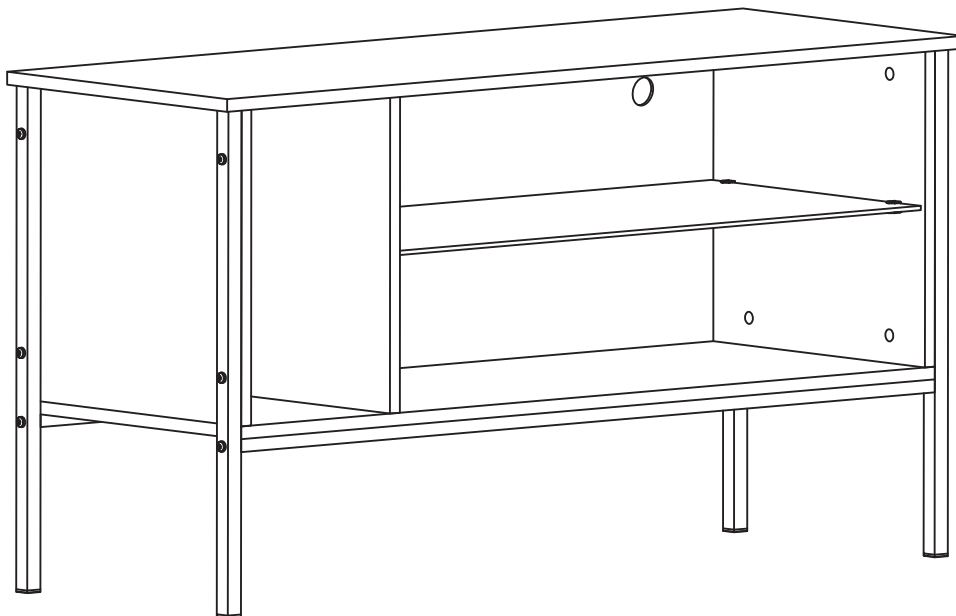
Hole position: approximately 2" BELOW the corresponding positions of WC installed on the TV stand.

※You may need to use rubber mallet for tapping WB.

2. Use WA to connect WB with WC.

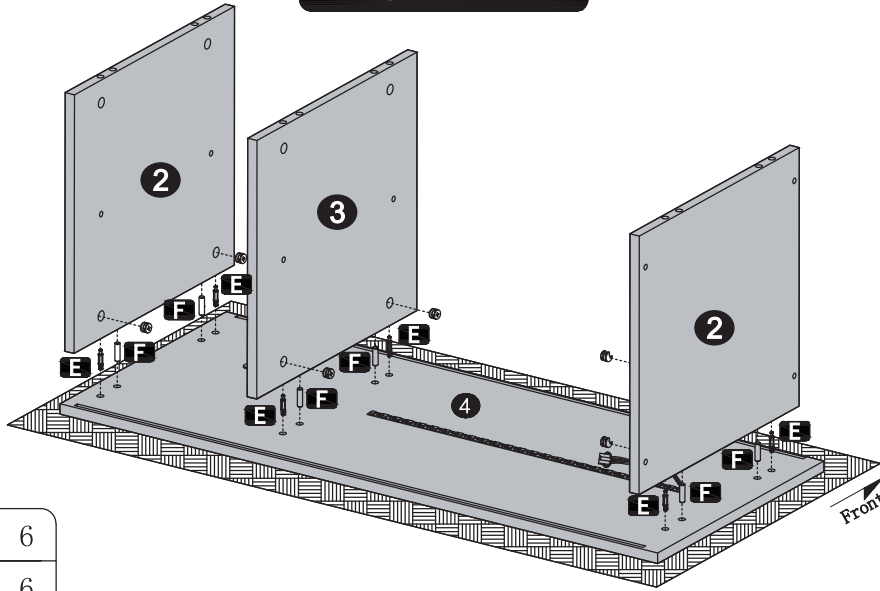
※WA must go through the smaller hole of WC and make sure the tab with larger hole is UPWARD.

3. Use WD to connect the corresponding WCs and tighten them as desired before locking in place.



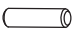
B

STEP 1

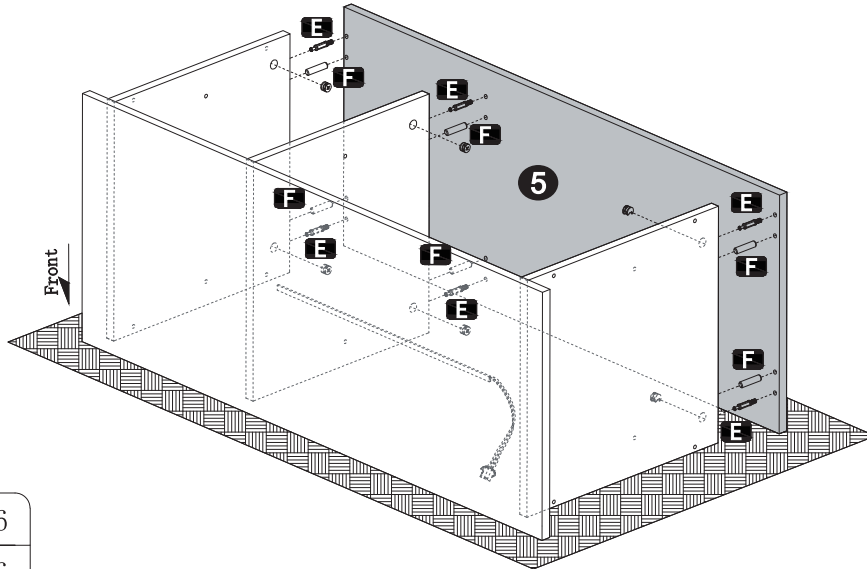


Ⓑ

E   6


F  $\phi 8 \times 30 \text{mm}$ 6

STEP 2



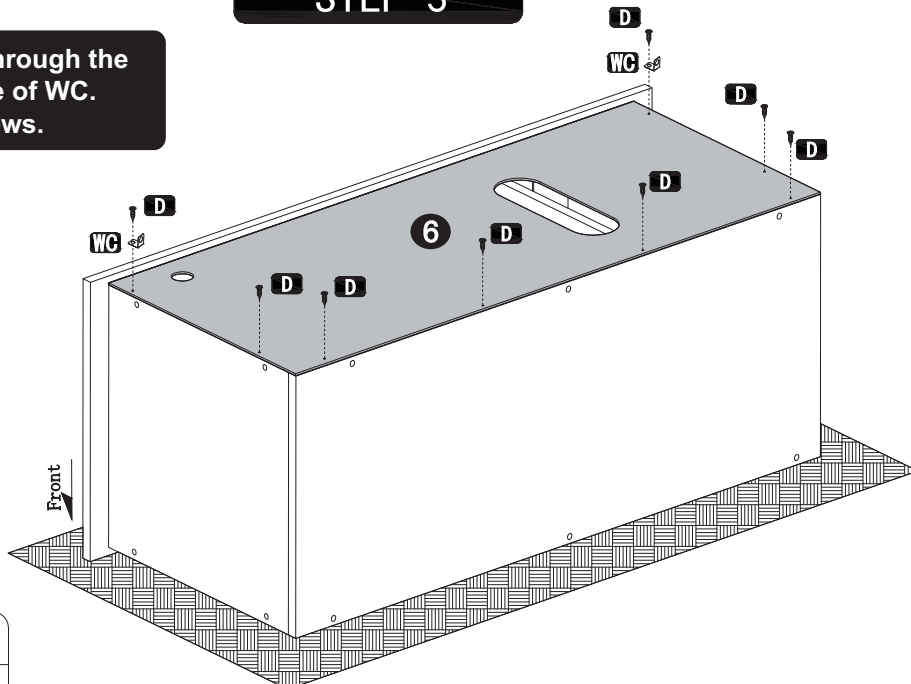
Ⓑ

E   6

F  $\phi 8 \times 30 \text{mm}$ 6


STEP 3

- ※Screw D should go through the tab with Smaller Hole of WC.
- ※Fully tighten the screws.



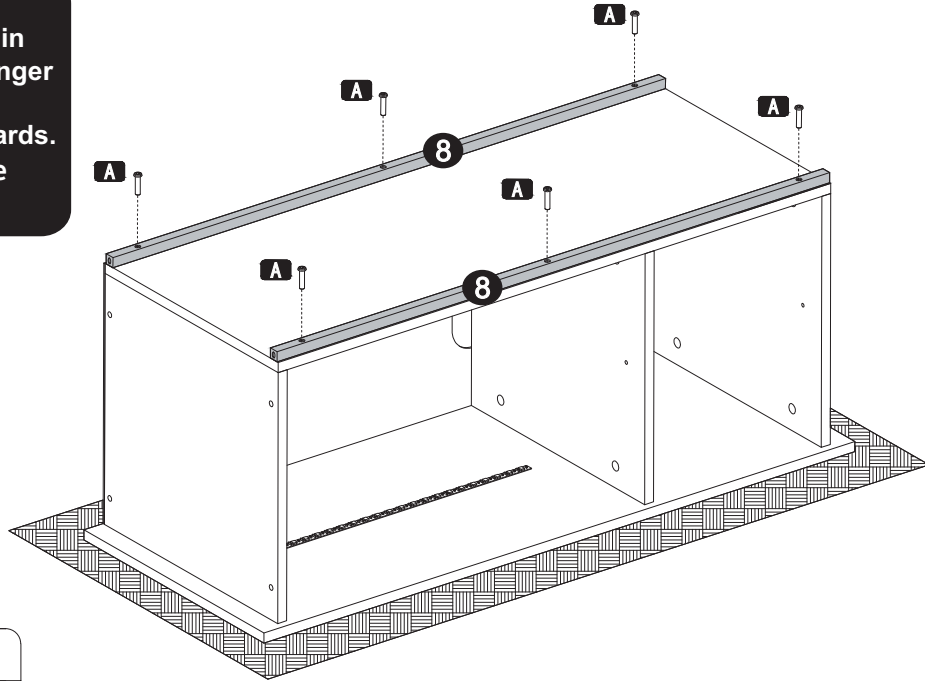
Ⓑ

D  ST3. 5x16mm 8

WC  2

STEP 4

- ※ Make sure Screw A (M6×30mm) is used in this step. Wrong/Longer screws will cause damages for the boards.
- ※ Partially tighten the screws.

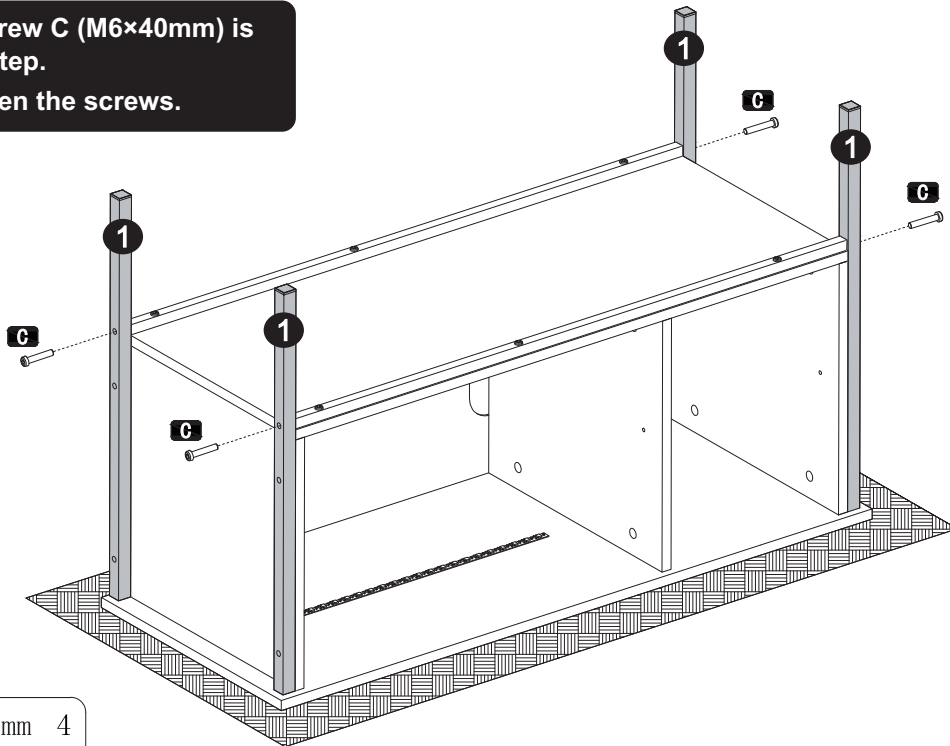


A  M6x30mm 6



STEP 5

- ※ Make sure Screw C (M6×40mm) is used in this step.
- ※ Partially tighten the screws.

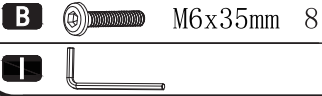
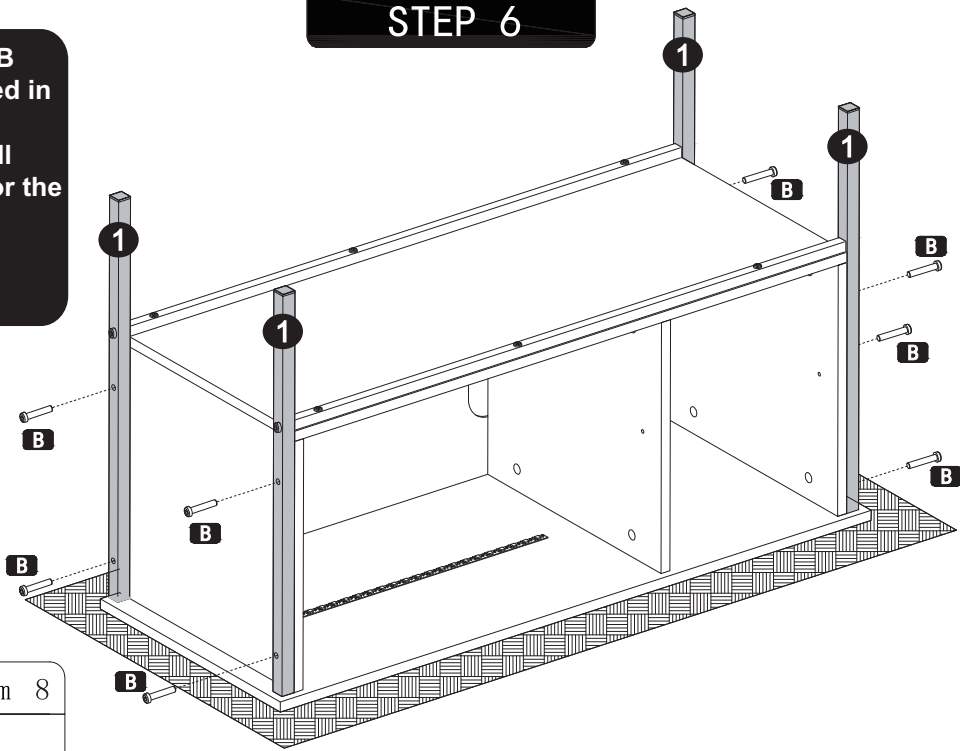


C  M6x40mm 4



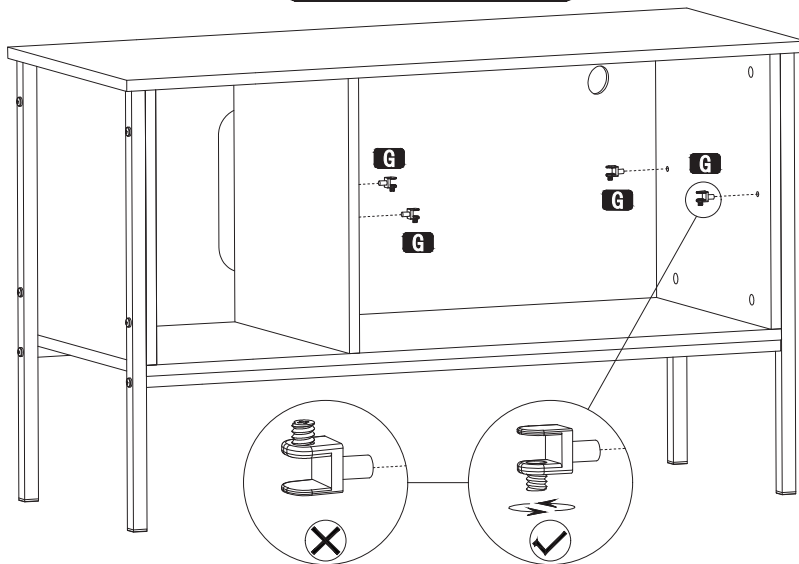
STEP 6

- ※Make sure Screw B (M6×35mm) is used in this step. Wrong/ Longer screws will cause damages for the boards.
- ※Fully tighten all screws.



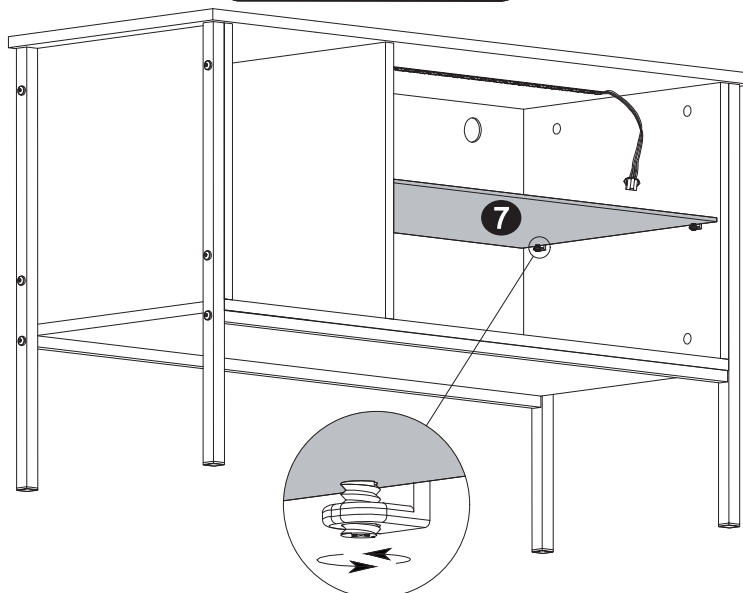
STEP 7

- ※In order to place the glass board, partially loosen the white plastic bolt of Accessory G until it is flushed with the lower metal part.

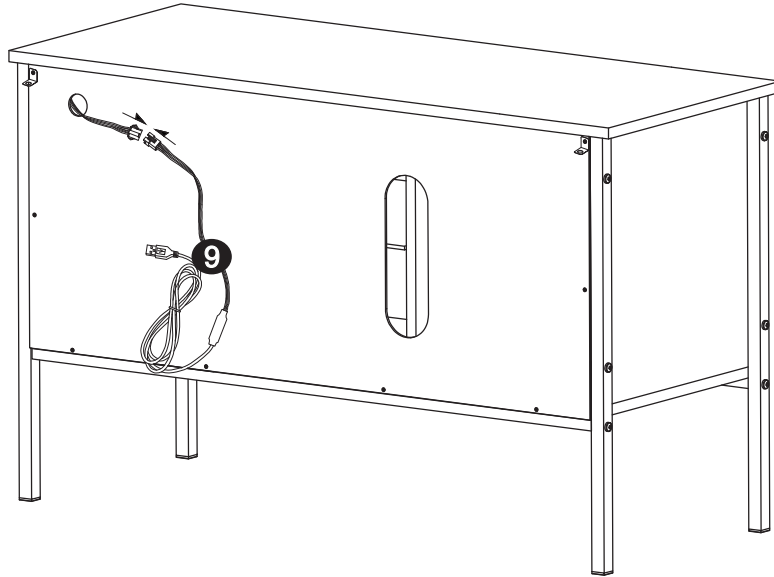


STEP 8

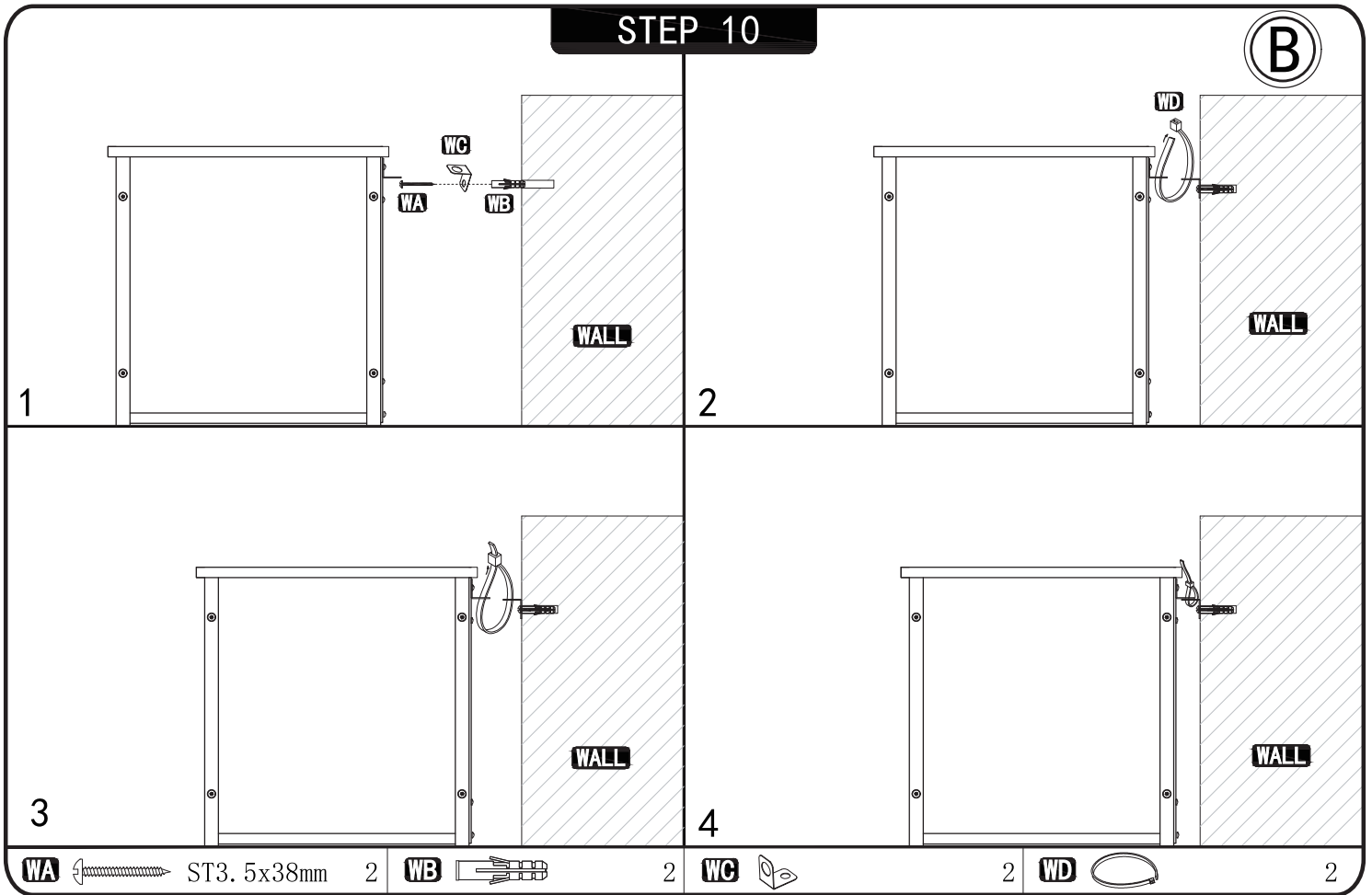
- ※Please carefully put into the glass board. Tighten up all white plastic bolts to make sure the glass board is clamped.



STEP 9



STEP 10



※Please fasten the TV stand to your wall for protection and safety.

1. Drill 2 holes (dia 5/16") in the wall and insert WB into holes.
 Hole position: approximately 2" BELOW the corresponding positions of WC installed on the TV stand.

※You may need to use rubber mallet for tapping WB.

2. Use WA to connect WB with WC.

※WA must go through the smaller hole of WC and make sure the tab with larger hole is UPWARD.

3. Use WD to connect the corresponding WCs and tighten them as desired before locking in place.