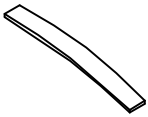


# ASSEMBLY INSTRUCTION

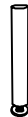
## KING BED - EURO SLATS PARTS

**A** Wooden Slat



39pcs

**B** Support Leg



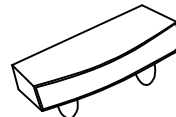
8pcs

**C** Iron Pipe



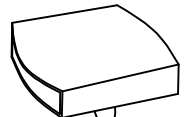
2pcs

**D** Single-Sided Cover



26pcs

**E** Double-Sided Cover



26pcs

**F** Flat Washer



28pcs

**G** Lock Washer



24pcs

**H** Bolt  
1/4" x 30mm



4pcs

**I** Bolt  
1/4" x 50mm



16pcs

**J** Allen Wrench



1pc

**K** Iron Pipe



1pc

**L** Bolt  
1/4" x 65mm



4pcs

**M** Nut



4pcs

**N** Wrench

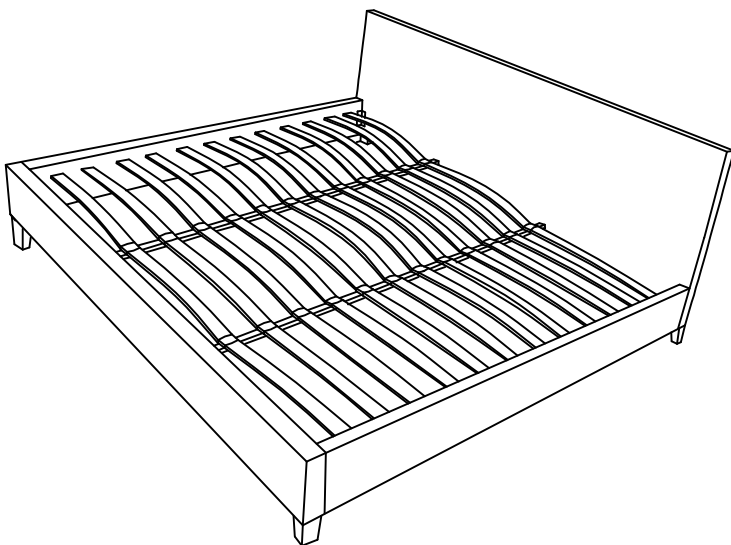


1pc

**O** Iron Pipe



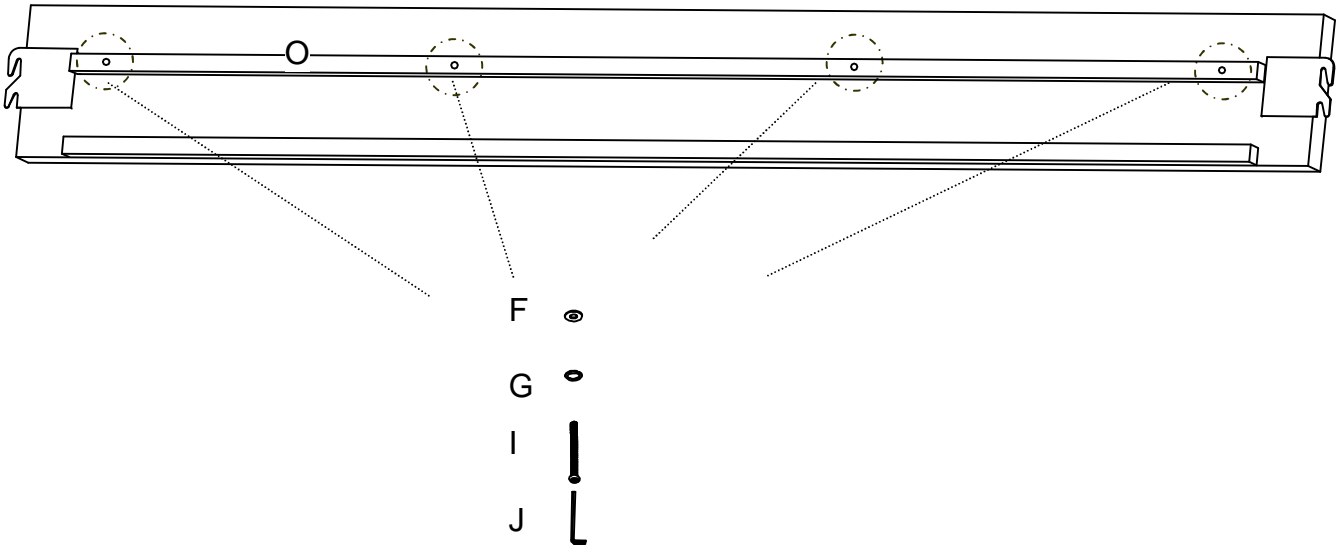
2pcs



This page lists all the contents included in the box. Please take the time to identify the hardware as well as the individual components to this product. As you unpack and prepare for assembly, place the contents on a carpeted or padded area to protect them from damage

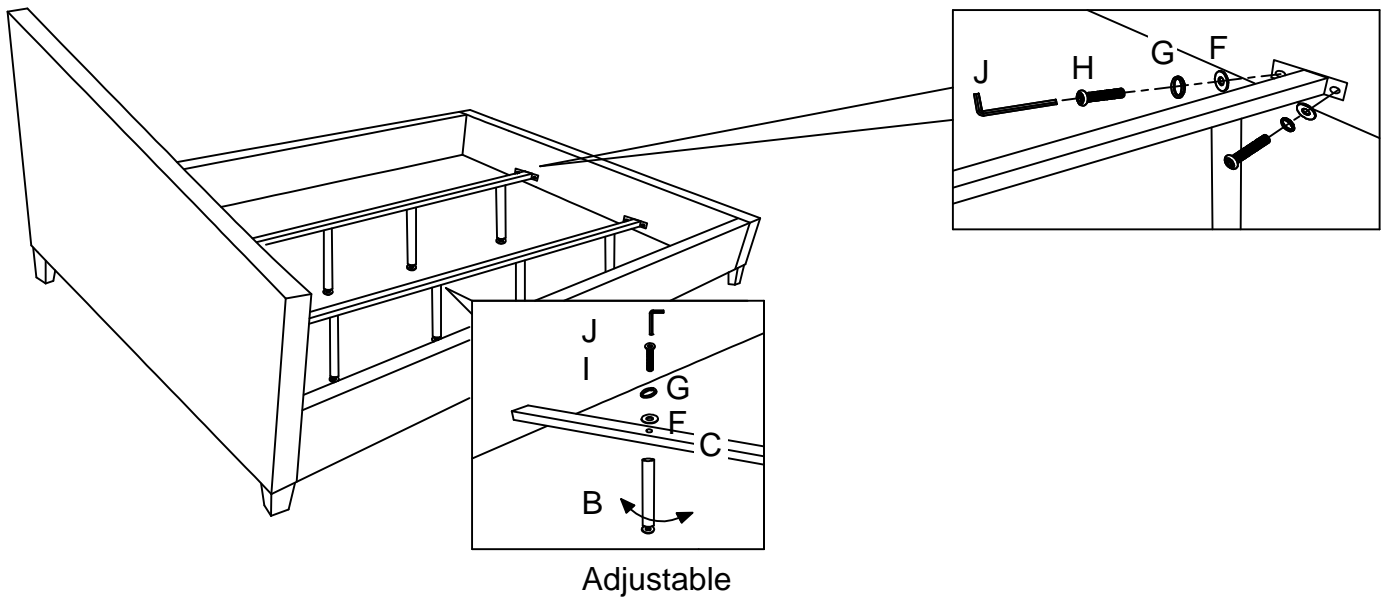
1

Attached Iron Pipe(O) to the both Side Rails use Bolt(I), Flat Washer(F), Lock Washer(G) by Allen Wrench(J).



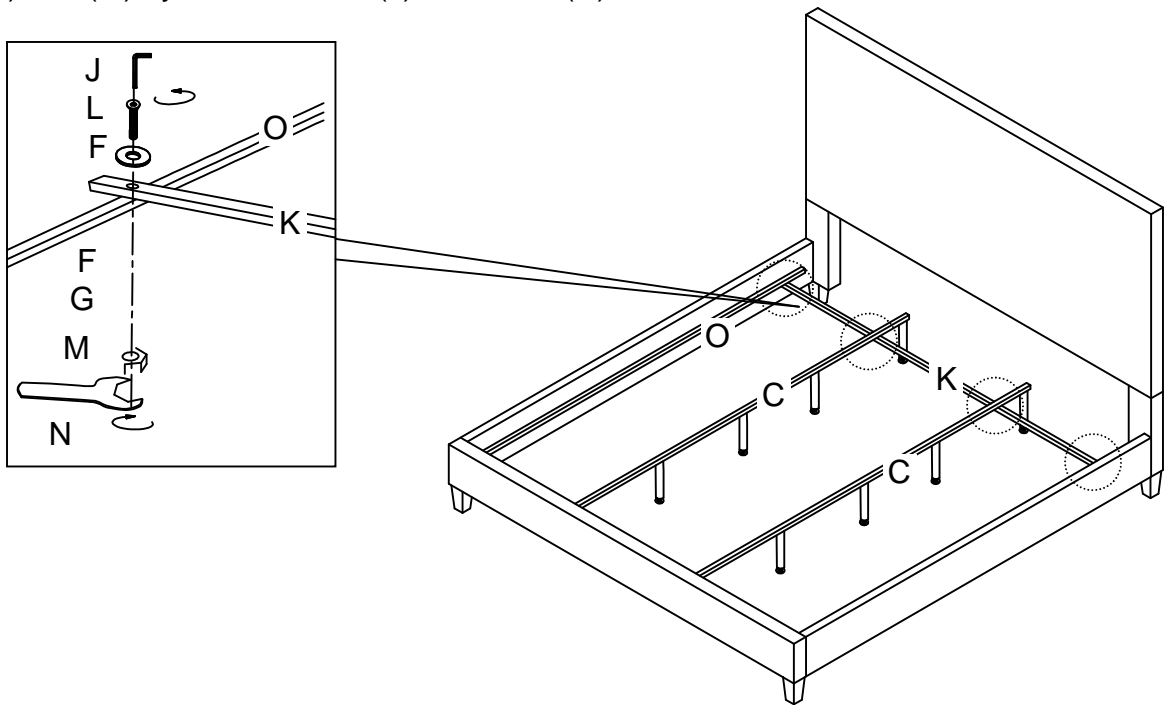
2

Attached Support Leg(B) to the Iron Pipe(C) use Bolt(I), Flat Washer(F), Lock Washer(G) by Allen Wrench(J). Then assembly Iron Pipe(C) to Footboard use Bolt(H), Flat Washer(F), Lock Washer(G) by Allen Wrench(J).

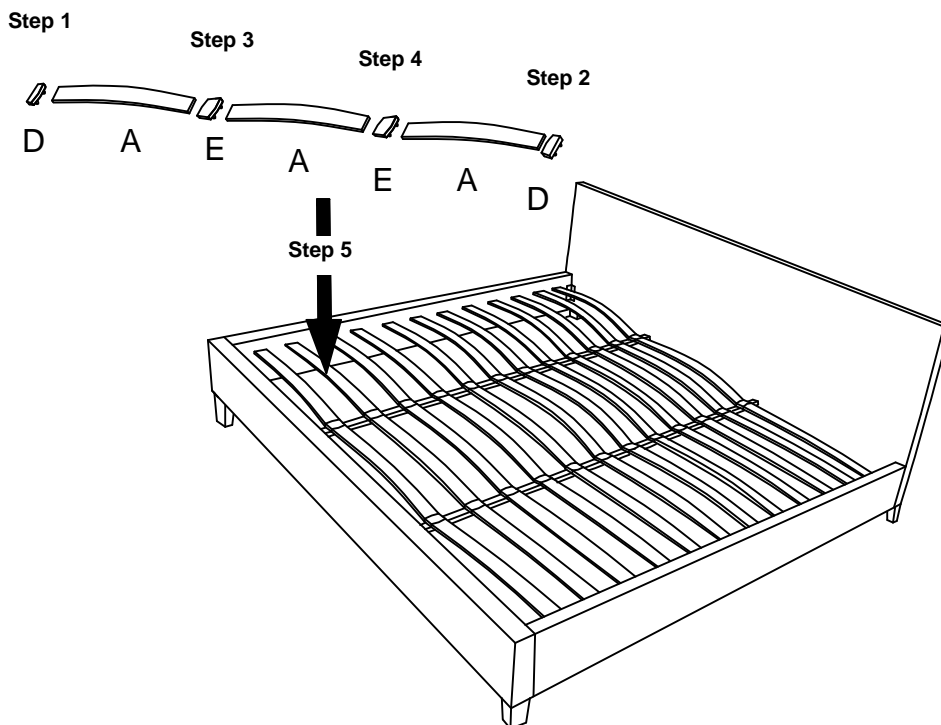


**3**

Assembly Iron Pipe(K) to Iron Pipe(O) and Iron Pipe(C) with Bolt(L), Flat Washer(F), Lock Washer(G), Nut(M) by Allen Wrench(J) & Wrench(N).

**4**

Attach Wooden Slat(A) with Single-Sided Cover(D) at both end, then attach the Wooden Slat(A) into Double-Sided Cover(E) and press downward Double-Sided Cover(E) lock in the hole on the center metal rail.



### Cleaning & Care

Treat surface with care. Surface is resistant to scratches but is not scratch resistant. Clean surfaces with a dry or damp soft cloth. Do not use abrasive cleaners. Hardware may loosen over time. Periodically check that all connections are tight