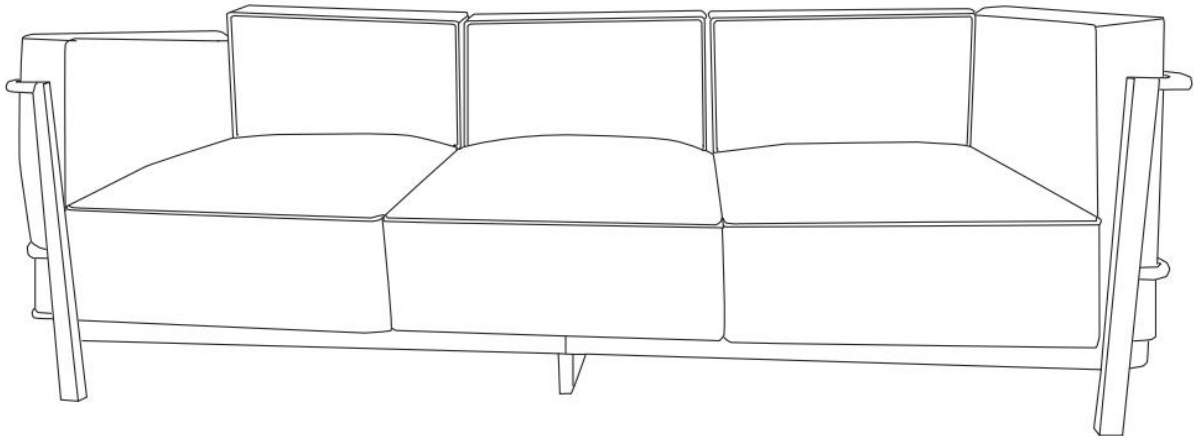


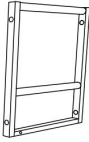
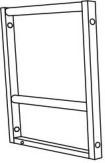
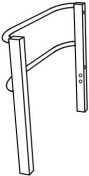
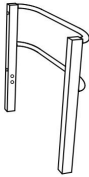
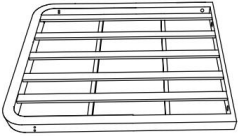
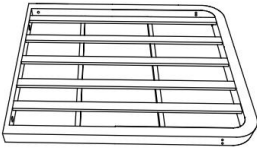

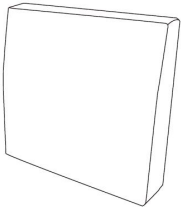
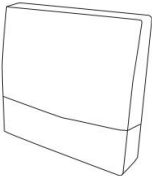
# Assembly Instructions

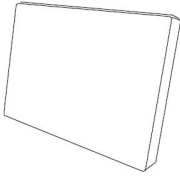
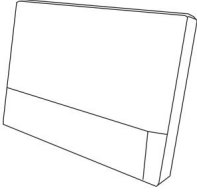
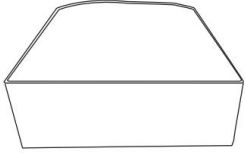
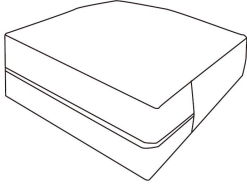
**Note: Please help to read my instruction before you ready to assemble.**

## SOFA





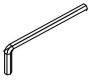




## **Part List**

<b>Label</b>	<b>Picture</b>	<b>Description</b>	<b>QTY (PCS)</b>
A		Left Back Frame	1
B		Right Back Frame	1
C		Left Armrest	1
D		Right Armrest	1
E		Left Seat Frame	1
F		Right Seat Frame	1
G		Connect Piece	1
H		Inner Back Cushion	3
H -Cover		Fabric Cover	3

I		Inner Armrest Cushion	2
I-Cover		Fabric Cover	2
J		Inner Seat Cushion	3
J-Cover		Fabric Cover	3

## Hardware

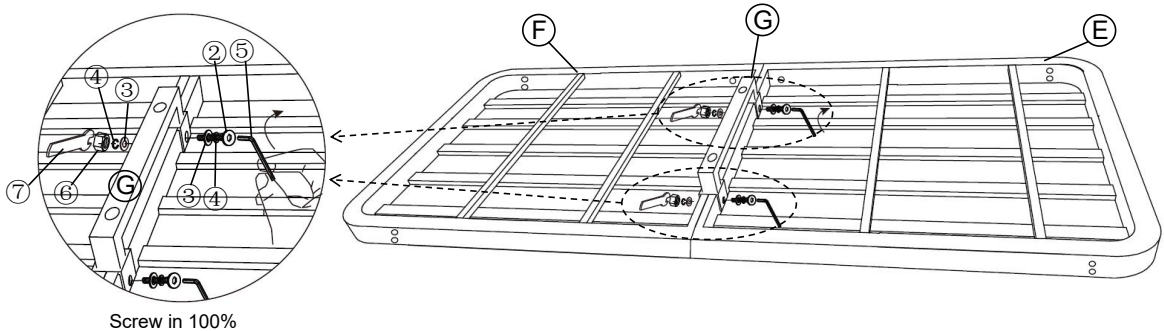
①		Bolt (M6*35)	17
②		Bolt (M6*60)	3
③		Flat Washer	21
④		Spring Washer	19
⑤		Allen Wrench (S4)	1
⑥		Nut (M6)	3
⑦		Spanner	1

## NOTICE:

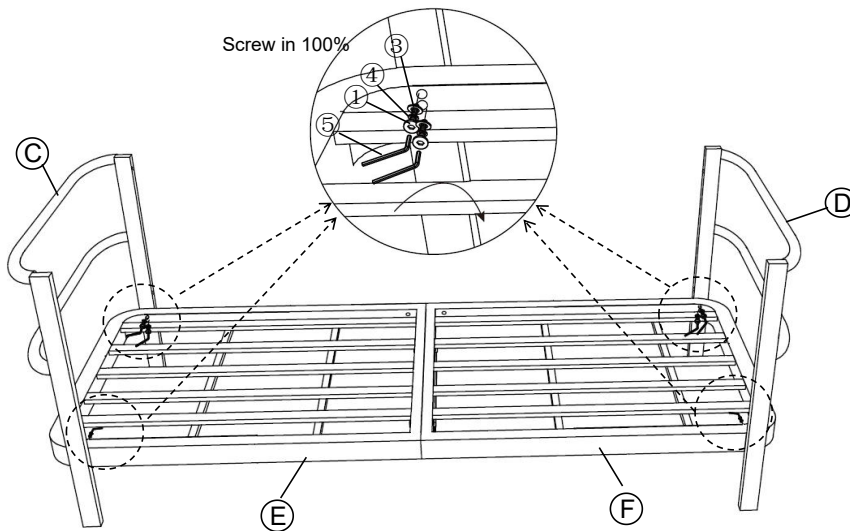
- Please read the instruction from cover to cover in detail.Thanks.
- Installed by at least two adults
- To avoid damaging your furniture , Please don't assemble on flooring or carpet.
- Please assemble on a clean non-marring surface, example for packing foam.
- Saving all packaging until have finished.

## Assembly Steps:

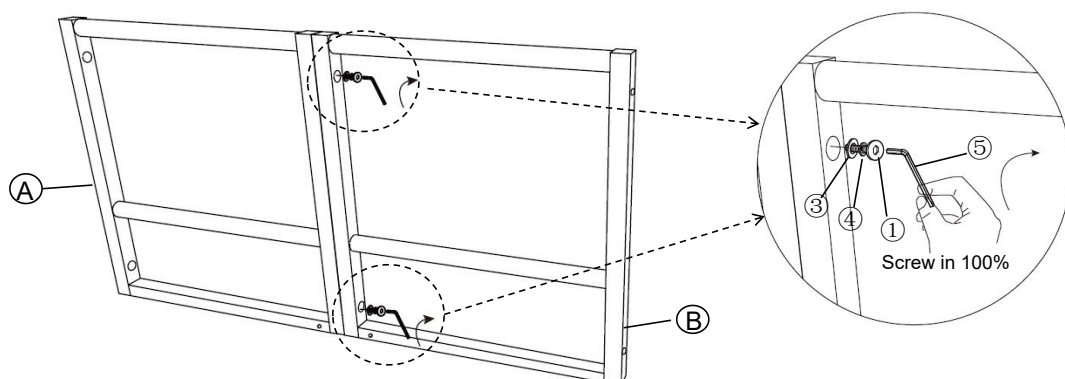
### Step 01



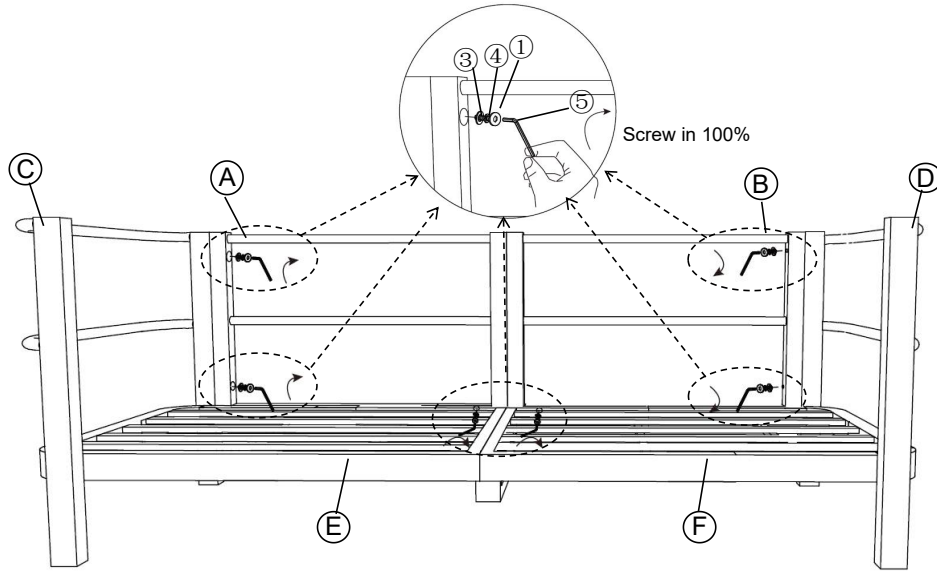
### Step 02



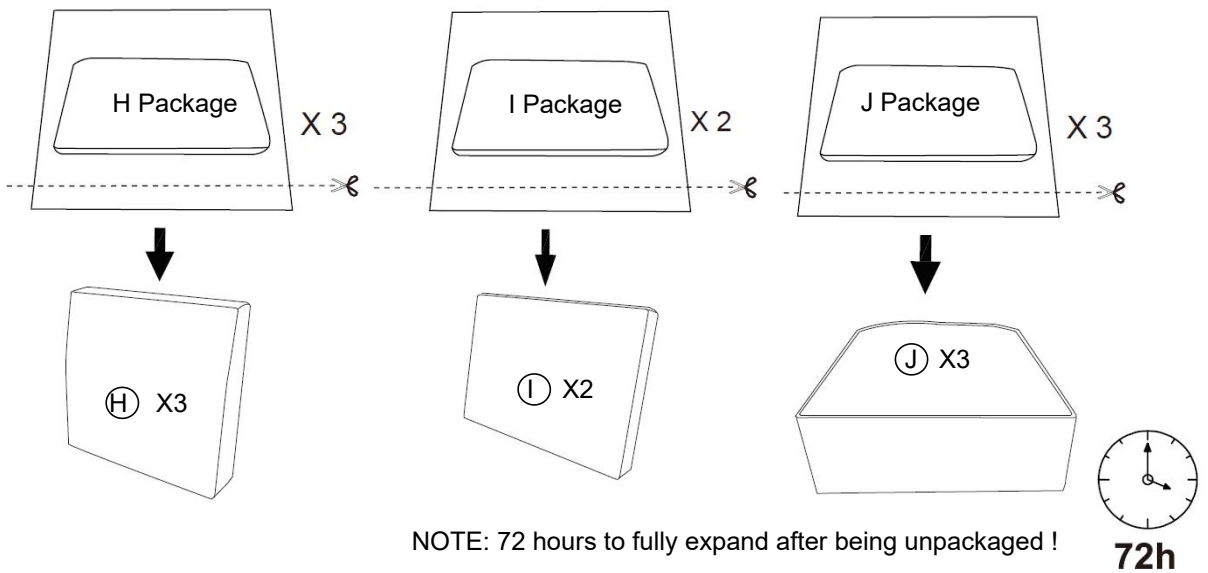
### Step 03



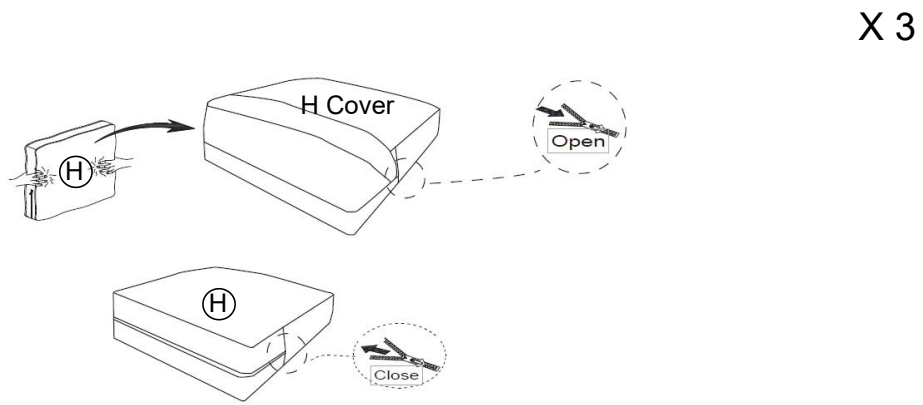
**Step 04**



**Step 05**

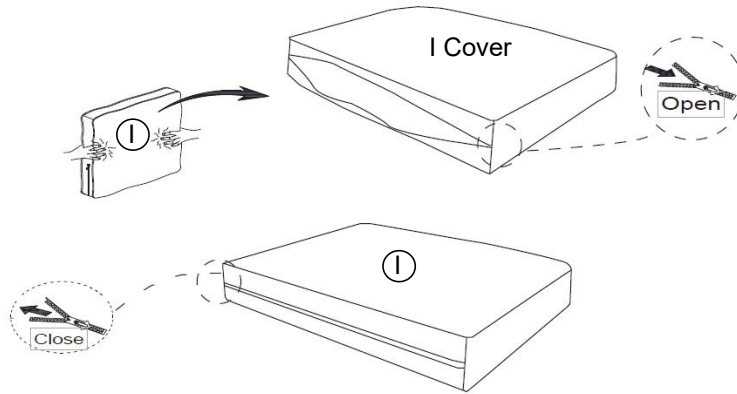


**Step 06**



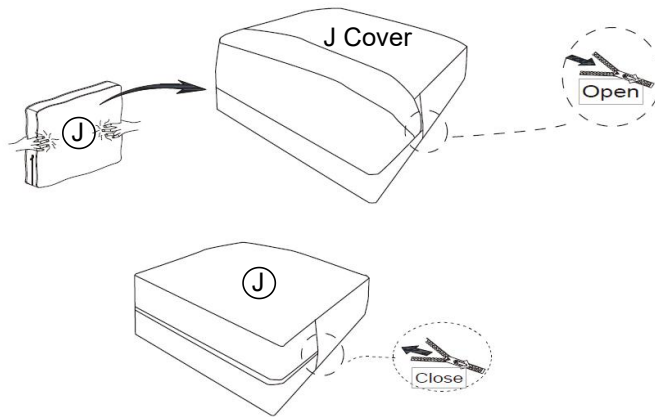
Step 07

X 2

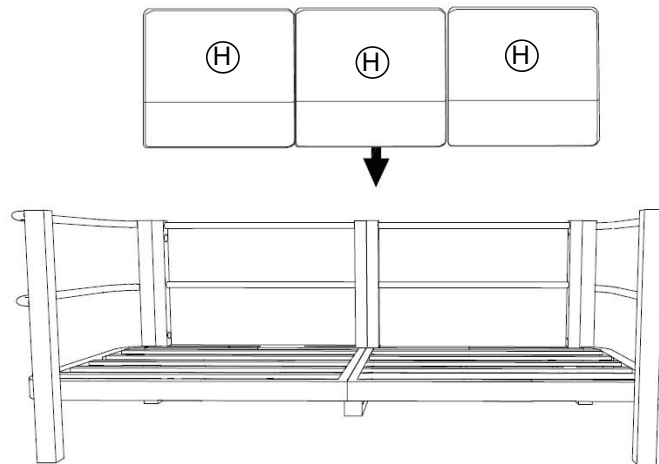


Step 08

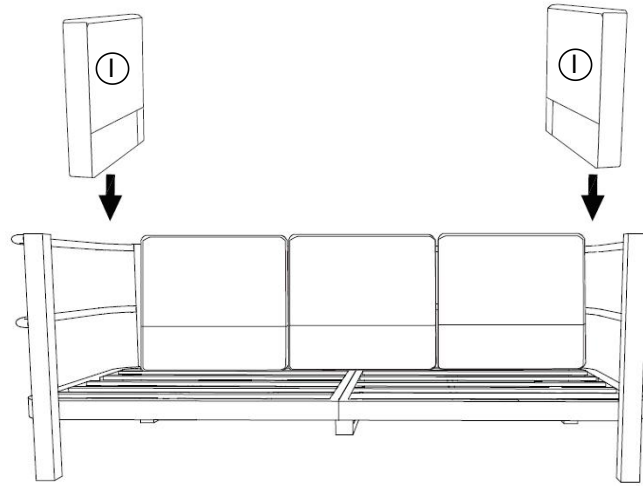
X 3



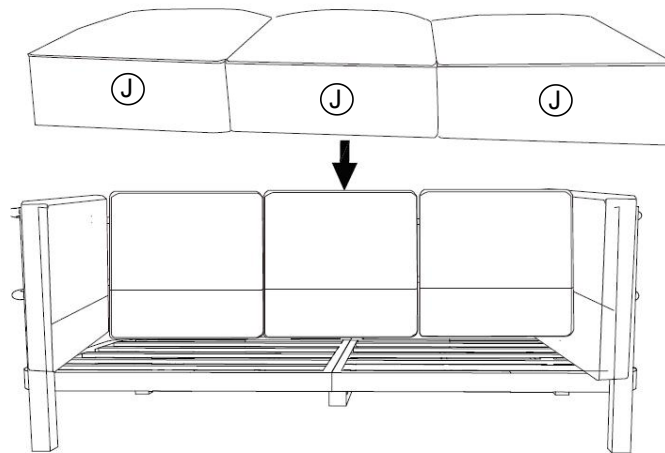
Step 09



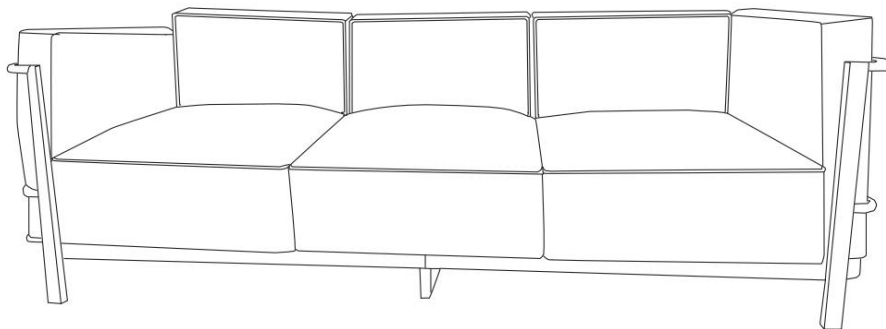
Step 10

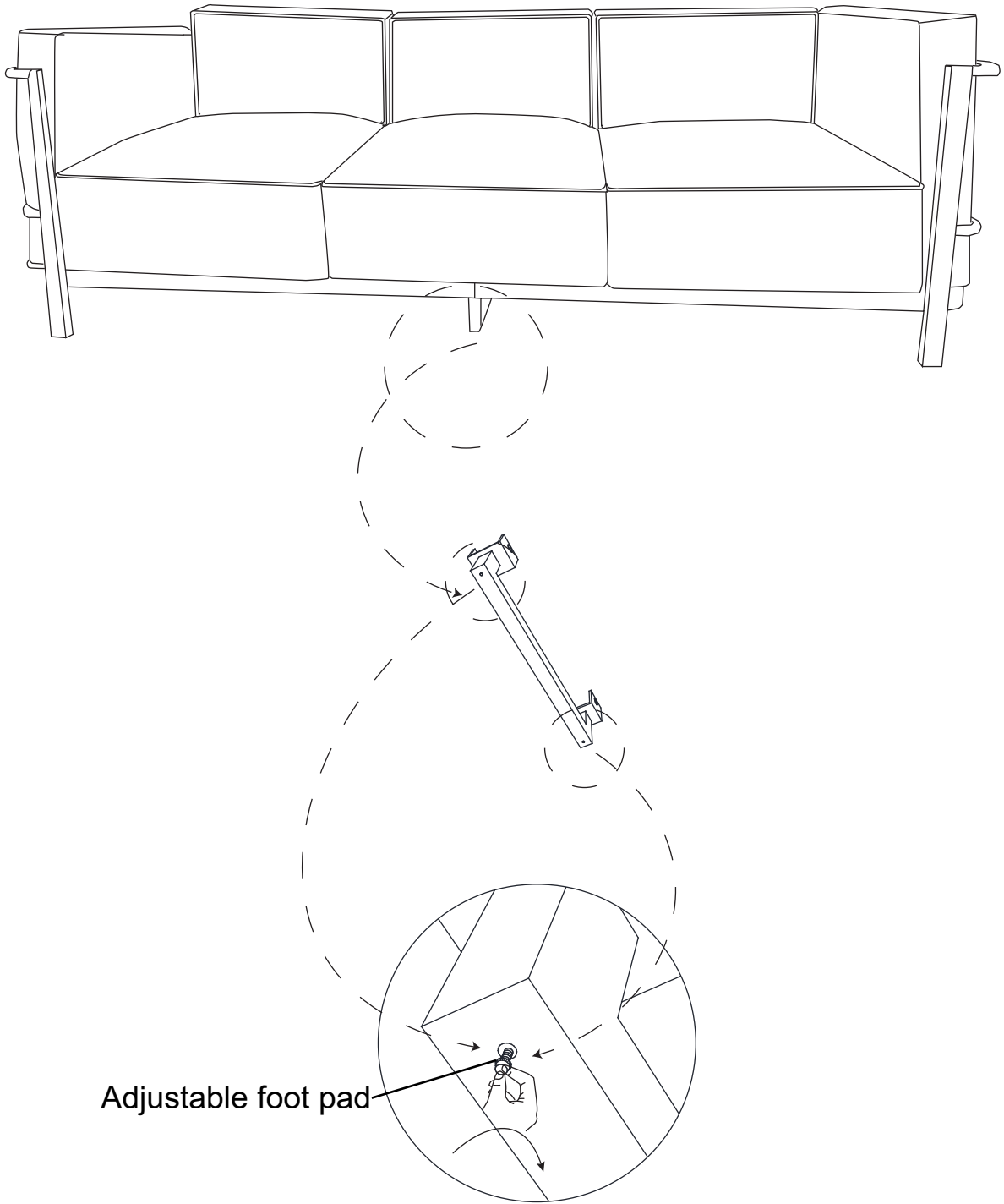


Step 11



Step 12





Please adjust the sofa with the adjustable foot pads when the floor is uneven.