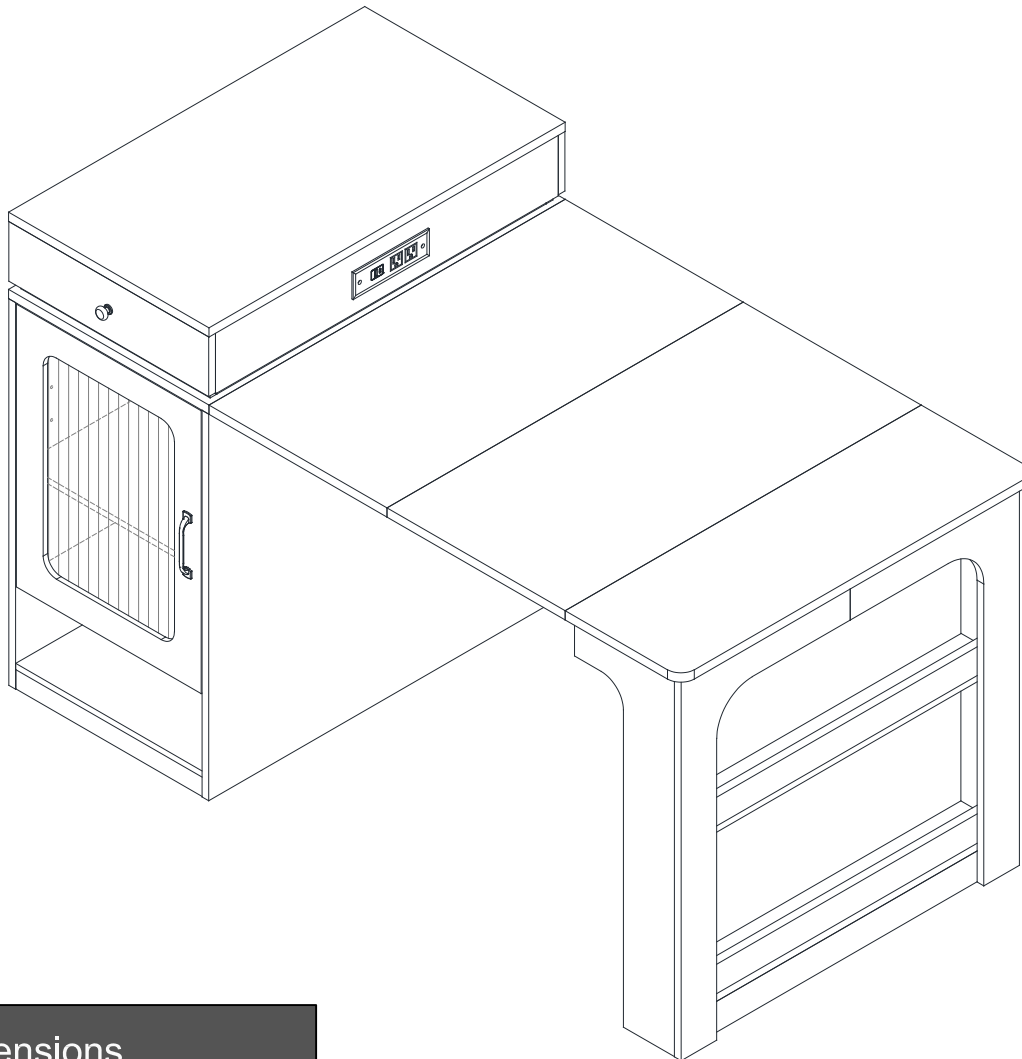


Extendable Kitchen Island

Assembly Instructions - Please keep for future reference



Dimensions

Width-31.5inch

Depth-59.5inch+28inch

Height-36.2inch

Important – Please read these instructions fully before starting assembly

Issue 1 - 12/08/25



Safety and Care Advice

Important – Please read these instructions fully before starting assembly

- Check you have all the components and tools listed on the following pages.
- Remove all fittings from the plastic bags and separate them into their groups.
- Keep children and animals away from the work area, small parts could choke if swallowed.
- Make sure you have enough space to layout the parts before starting.

- During assembly do not stand or put weight on the product, this could cause damage.
- Assemble the item as close to its final position (in the same room) as possible.
- Assemble on a soft level surface to avoid damaging the unit or your floor.
- Parts of the assembly will be easier with 2 people.



power drill is set on a low torque setting.

- To reduce the likelihood of damaging your product please ensure that your

Care and maintenance

- Only clean using a damp cloth and mild detergent, do not use bleach or abrasive cleaners.
- From time to time check that there are no loose screws on this unit.
- This product should not be discarded with household waste. Take to your local authority waste disposal centre.

Handy Hints

- Assemble all parts and bolts loosely during assembly, only once the product is complete should you fully tighten the bolts
- Regularly check and ensure That all bolts and fittings are tightened properly.

WARNING In order to help prevent overturning – please follow these instructions

To help prevent product toppling over please follow the below steps:-

Use the anti tip strap or wall fixing method provided (if applicable)
Do not allow children to climb or hang on the furniture
Do not open more than one drawer at a time
Do not place heavy items in the top drawers
Do not place heavy items on top of the furniture, unless the furniture has been designed for this purpose

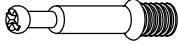

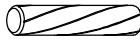
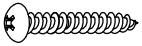

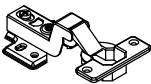

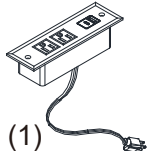
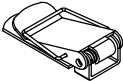
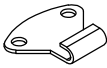




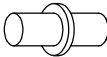
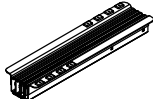
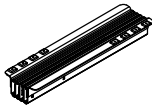




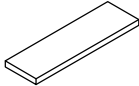
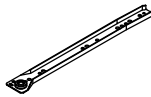
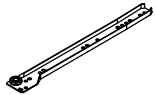
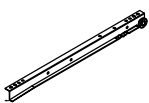
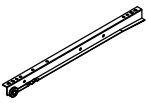
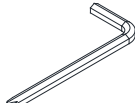
Please note that only the anti tip strap is provided.

You will need to provide wall plugs and screws applicable for your wall type

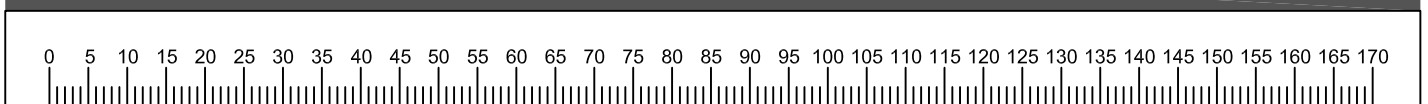
Components - Fittings

Please check you have all the panels listed below

Note: The quantities below are the correct amount to complete the assembly. In some cases more fittings may be supplied than are required.

<p>(A)</p>  <p>Cam Bolt x (79+2)</p>	<p>(B)</p>  <p>Cam lock x (79+2)</p>	<p>(C)</p>  <p>6*30mm Dowel x (46+2)</p>	<p>(D)</p>  <p>4*30mm Screw x (24+2)</p>
<p>(E)</p>  <p>4*25mm Screw x (8+1)</p>	<p>(F)</p>  <p>Soft close hinges x (2)</p>	<p>(G)</p>  <p>4*12mm Screw x (36+2)</p>	<p>(H)</p>  <p>Pulley x (1)</p>
<p>(I)</p>  <p>Spring catch x (6)</p>	<p>(J)</p>  <p>Spring catch x (6)</p>	<p>(K)</p>  <p>3*12mm Screw x (29+2)</p>	<p>(L)</p>  <p>Handle x (1)</p>
<p>(M)</p>  <p>Handle x (2)</p>	<p>(N)</p>  <p>4*16mm Bolt x (4+1)</p>	<p>(O)</p>  <p>Pivot x (8+1)</p>	<p>(P)</p>  <p>Left slide rail x (1)</p>
<p>(Q)</p>  <p>Right slide rail x (1)</p>	<p>(R)</p>  <p>5*16mm Screw x (16+1)</p>	<p>(S)</p>  <p>Caster x (2)</p>	<p>(T)</p>  <p>4*14mm Screw x (8+1)</p>
<p>(U)</p>  <p>Outlet cover x (1)</p>	<p>(V)</p>  <p>Felt pad x (6+1)</p>	<p>(CL)</p>  <p>Runner 300mm x (2)</p>	<p>(CR)</p>  <p>Runner 300mm x (2)</p>
<p>(DL)</p>  <p>Runner 300mm x (2)</p>	<p>(DR)</p>  <p>Runner 300mm x (2)</p>	<p>(X)</p>  <p>Allen wrench x (1)</p>	

Ruler - Use this ruler to help correctly identify the screws



The screws length is measured from the head to the point (35mm screw shown).

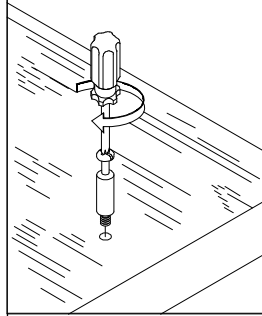
Using Camlocks

Step 1

Connect the male camlock as directed in the assembly instructions using a screwdriver.

1

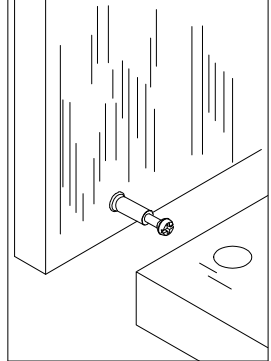
DO NOT OVER TIGHTEN.
NE PAS SERRER EXCESSIVEMENT.



Step 2

Push the male camlock into the entry hole.

2

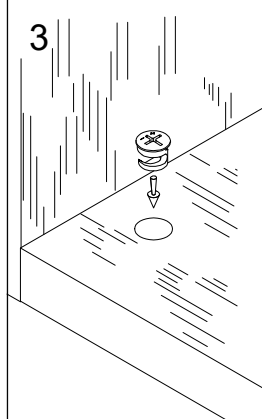


Step 3

Insert the female camlock as shown in the instruction.

Note: ensure that the arrow on the top of the camlock points towards the entry hole for the male camlock.

3



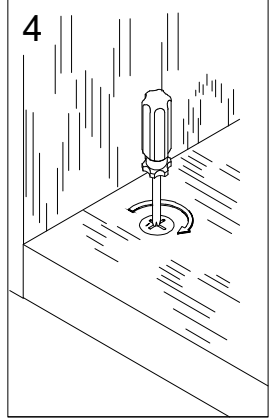
Step 4

Turn the female camlock clockwise with a screwdriver.

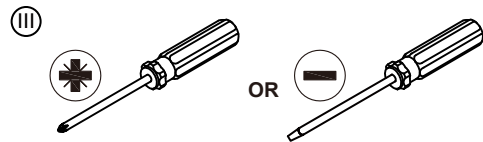
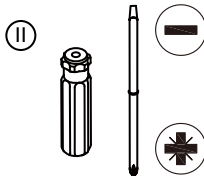
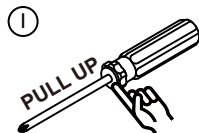
You should feel a click when the camlock is locked in place.

The joint is now secure.

4

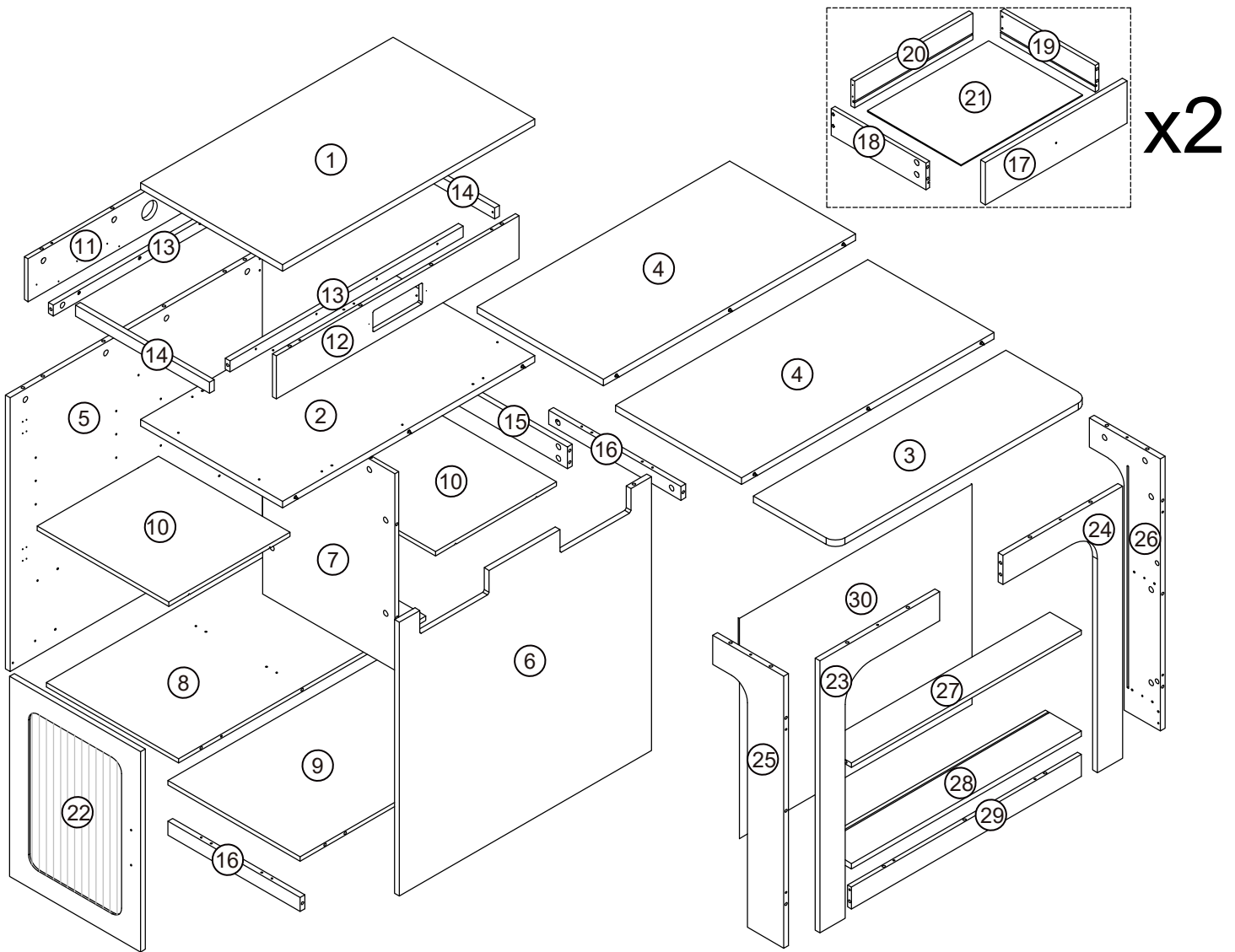


Tools required

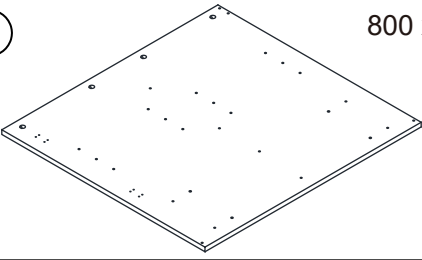
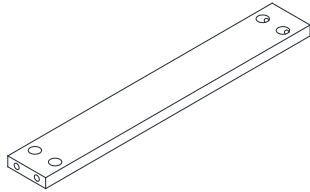
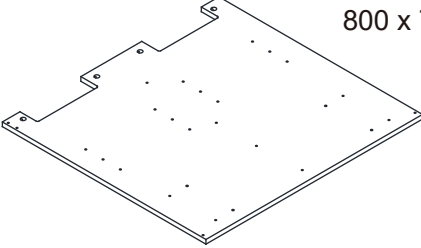
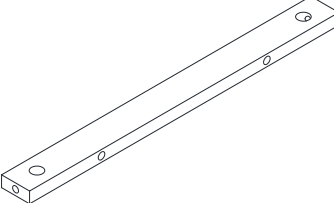
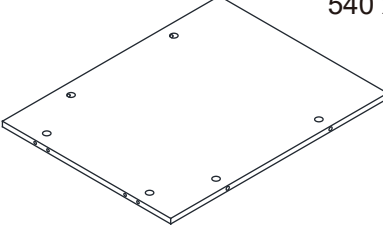
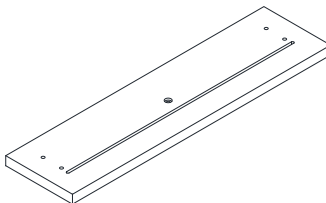
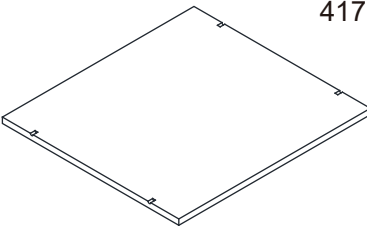
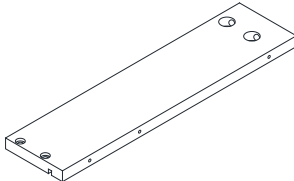
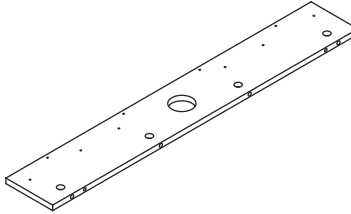
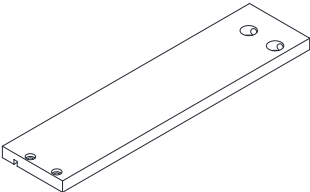
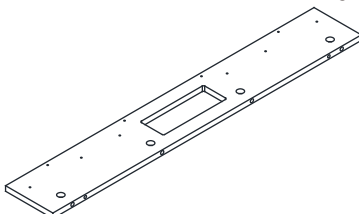
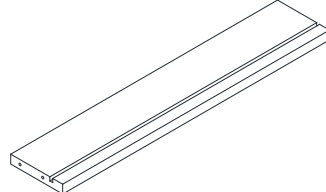
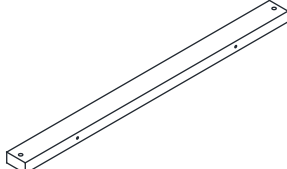
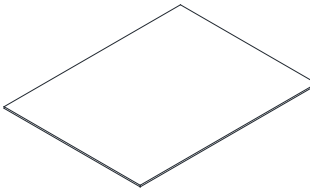


Screwdrivers can be converted to Phillips and Slotted.

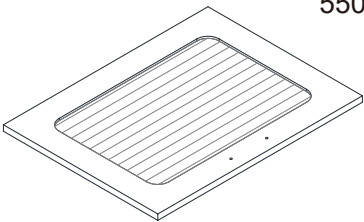
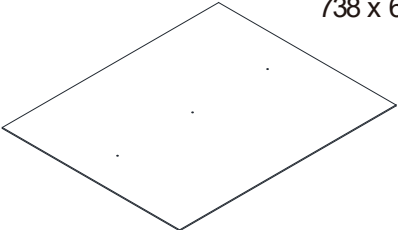
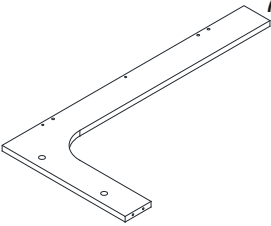
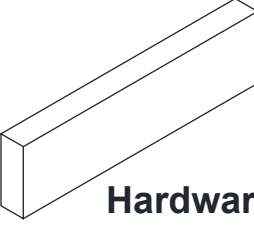
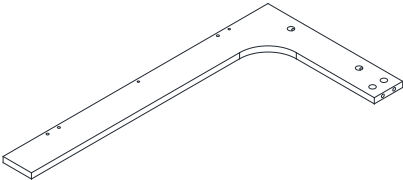
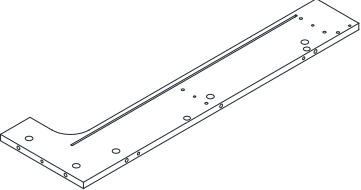
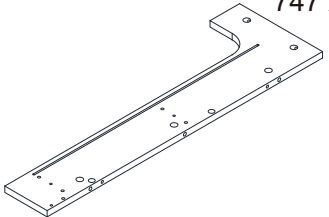
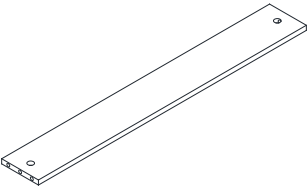
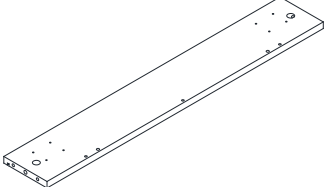
Assembly Instructions



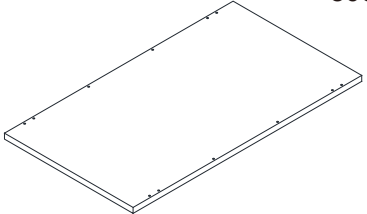
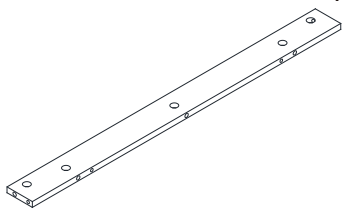
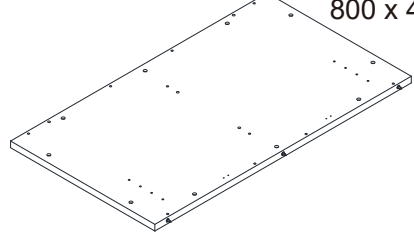
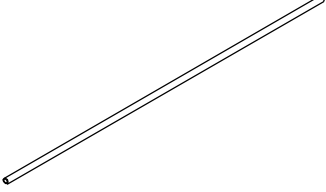
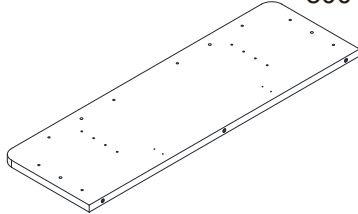
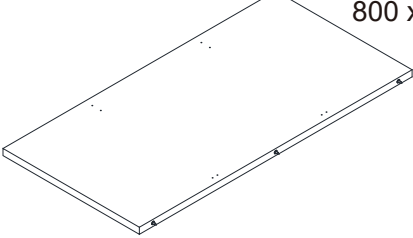
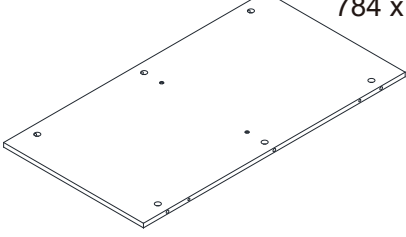
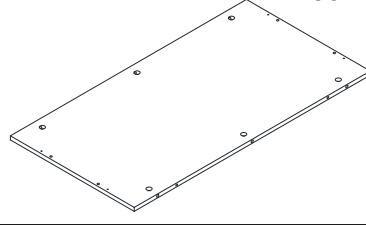
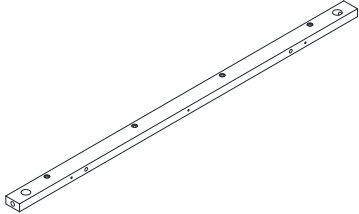
Assembly Instructions

<p>⑤ 800 x 752 x 15 mm</p>  <p>1</p>	<p>⑮ 419 x 60 x 15 mm</p>  <p>1</p>
<p>⑥ 800 x 752 x 15 mm</p>  <p>1</p>	<p>⑯ 419 x 38 x 15 mm</p>  <p>2</p>
<p>⑦ 540 x 419 x 12 mm</p>  <p>1</p>	<p>⑰ 449 x 116 x 15 mm</p>  <p>2</p>
<p>⑩ 417 x 384 x 12 mm</p>  <p>2</p>	<p>⑱ 300 x 73 x 12 mm</p>  <p>2</p>
<p>⑪ 770 x 118 x 12 mm</p>  <p>1</p>	<p>⑲ 300 x 73 x 12 mm</p>  <p>2</p>
<p>⑫ 770 x 118 x 12 mm</p>  <p>1</p>	<p>⑳ 375 x 73 x 12 mm</p>  <p>2</p>
<p>⑭ 425 x 30 x 15 mm</p>  <p>2</p>	<p>㉑ 384 x 297 x 3 mm</p>  <p>2</p>

Assembly Instructions

<p>22</p> <p>550 x 415 x 15 mm</p>  <p>1</p>	<p>30</p> <p>738 x 605 x 3 mm</p>  <p>1</p>
<p>23</p> <p>747 x 380 x 15 mm</p>  <p>1</p>	 <p>Hardware Kit</p> <p>2</p>
<p>24</p> <p>747 x 380 x 15 mm</p>  <p>1</p>	
<p>25</p> <p>747 x 225 x 15 mm</p>  <p>1</p>	
<p>26</p> <p>747 x 225 x 15 mm</p>  <p>1</p>	
<p>27</p> <p>729 x 100 x 12 mm</p>  <p>1</p>	
<p>28</p> <p>729 x 115 x 15 mm</p>  <p>1</p>	

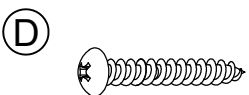
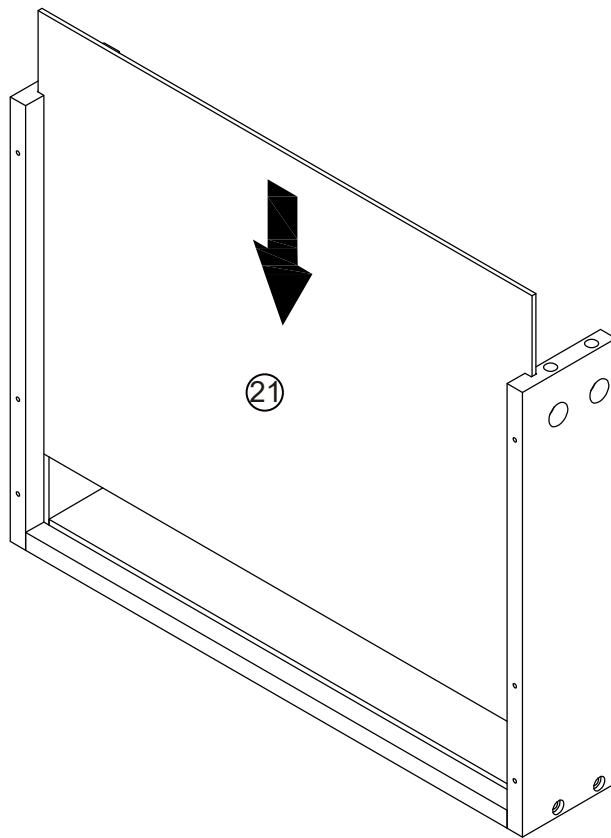
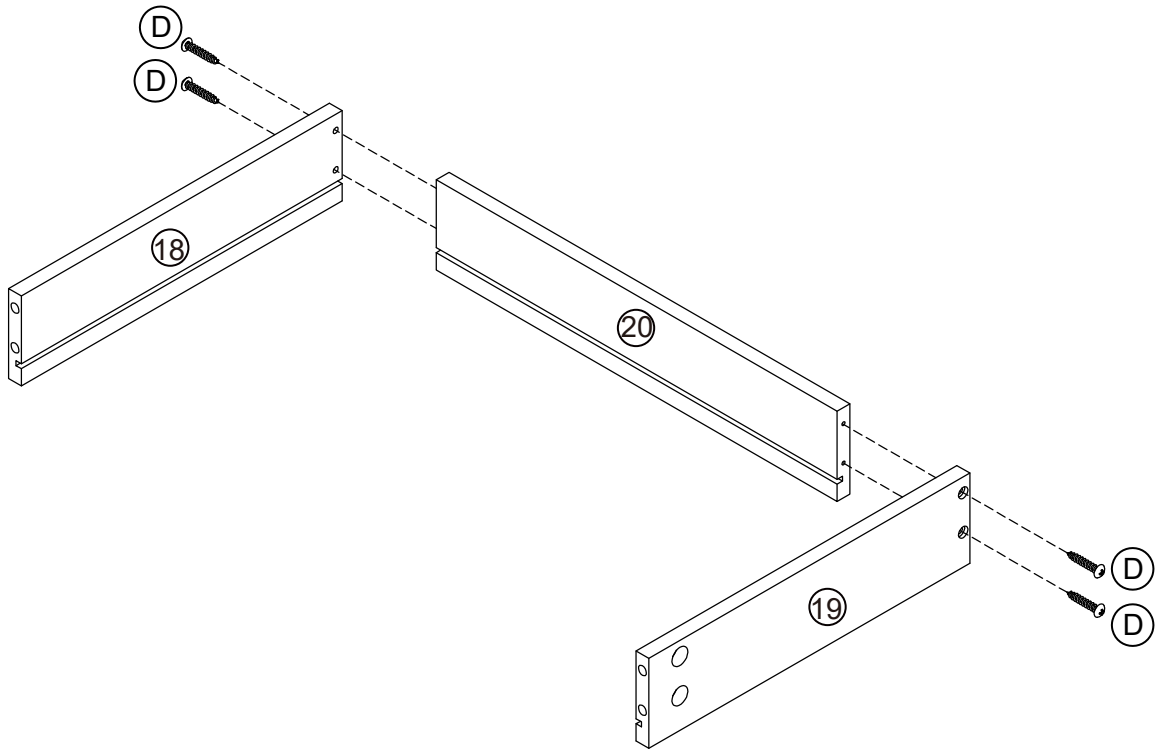
Assembly Instructions

<p>① 800 x 450 x 18 mm</p>  <p>1</p>	<p>⑳ 729 x 60 x 12 mm</p>  <p>1</p>
<p>② 800 x 450 x 18 mm</p>  <p>1</p>	<p>Ⓜ 740 x Ø12 mm</p>  <p>2</p>
<p>③ 800 x 260 x 18 mm</p>  <p>1</p>	
<p>④ 800 x 400 x 18 mm</p>  <p>2</p>	
<p>⑧ 784 x 419 x 12 mm</p>  <p>1</p>	
<p>⑨ 799 x 419 x 12 mm</p>  <p>1</p>	
<p>⑬ 740 x 30 x 15 mm</p>  <p>2</p>	

Assembly Instructions

Step 1

x2

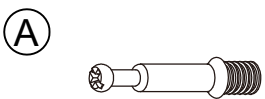
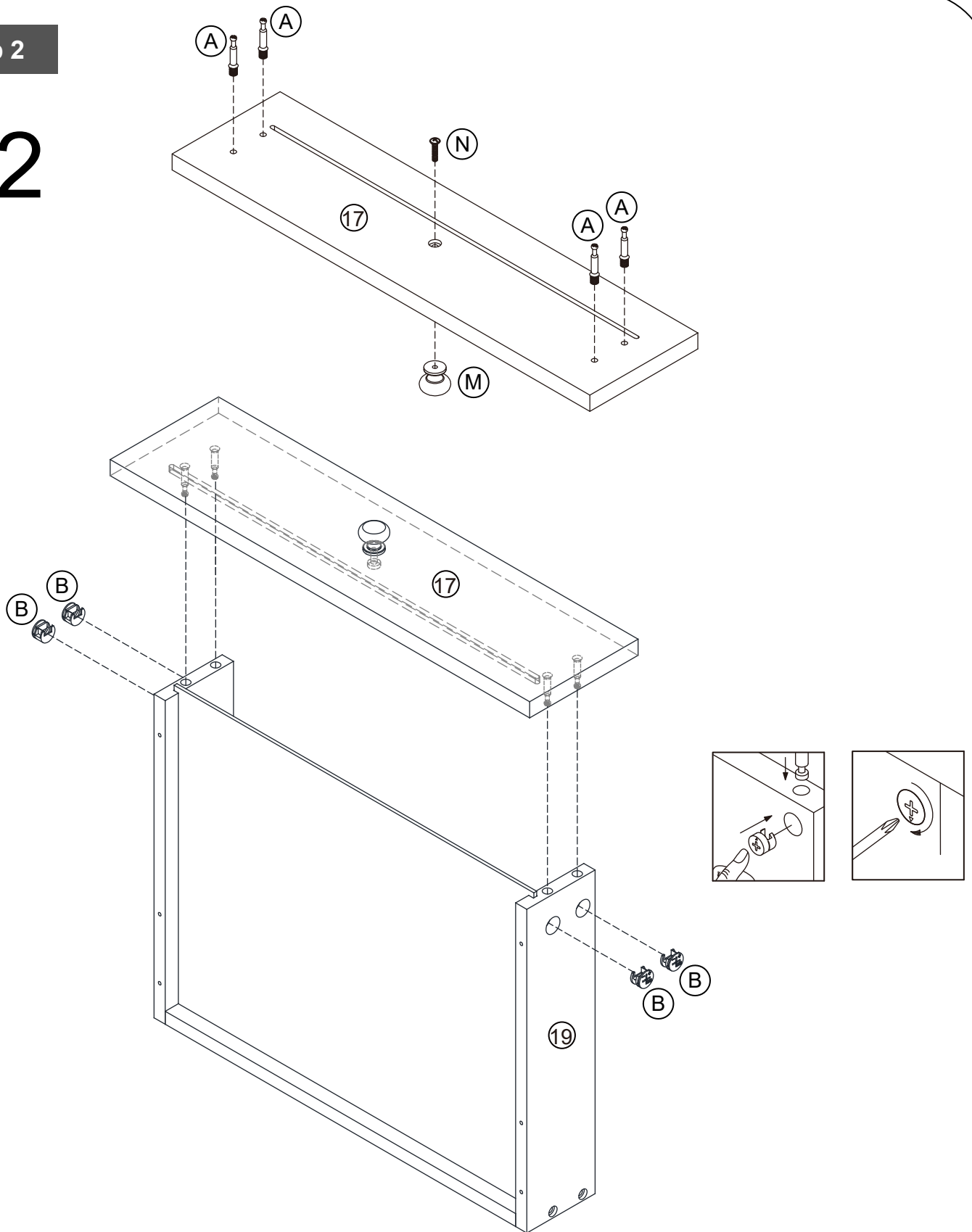


4*30 Screw x 8

Assembly Instructions

Step 2

x2



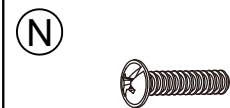
Cam Bolt x 8



Cam lock x 8



Handle x 2

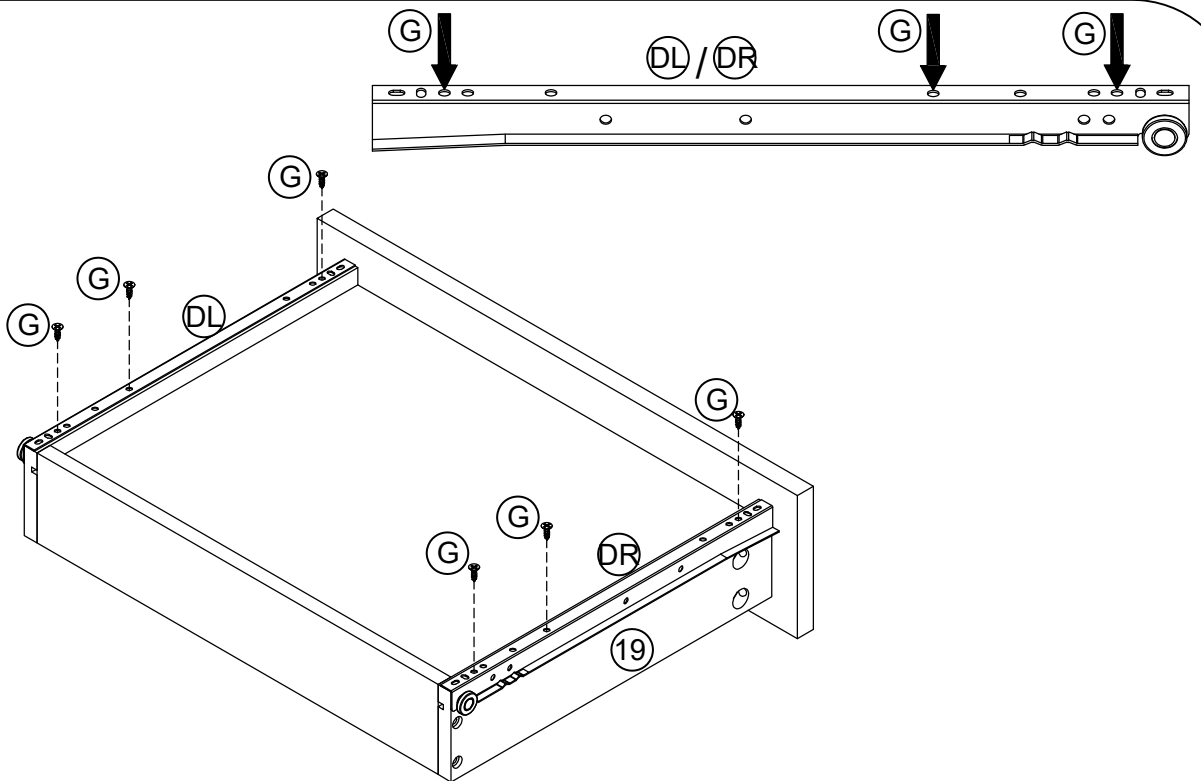


4*16mm Blot x 2

Assembly Instructions

Step 3

x2

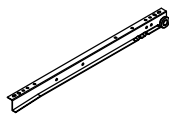


G



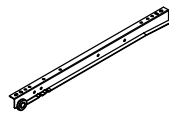
4*12mm Screw x 12

DL



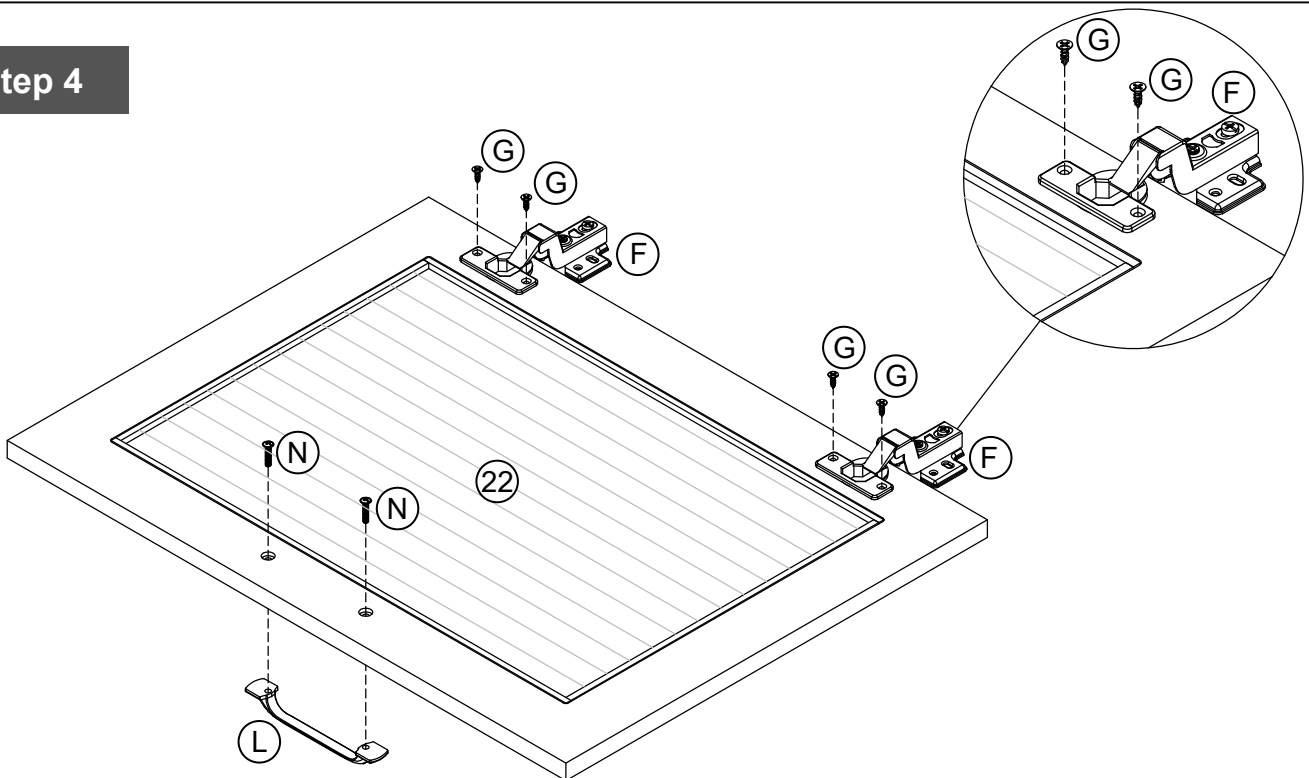
Runner 300mm x 2

DR

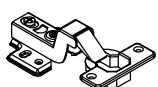


Runner 300mm x 2

Step 4



F



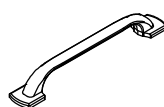
Soft close hinges x 2

G



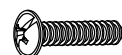
4*12mm Screw x 4

L



Handle x 1

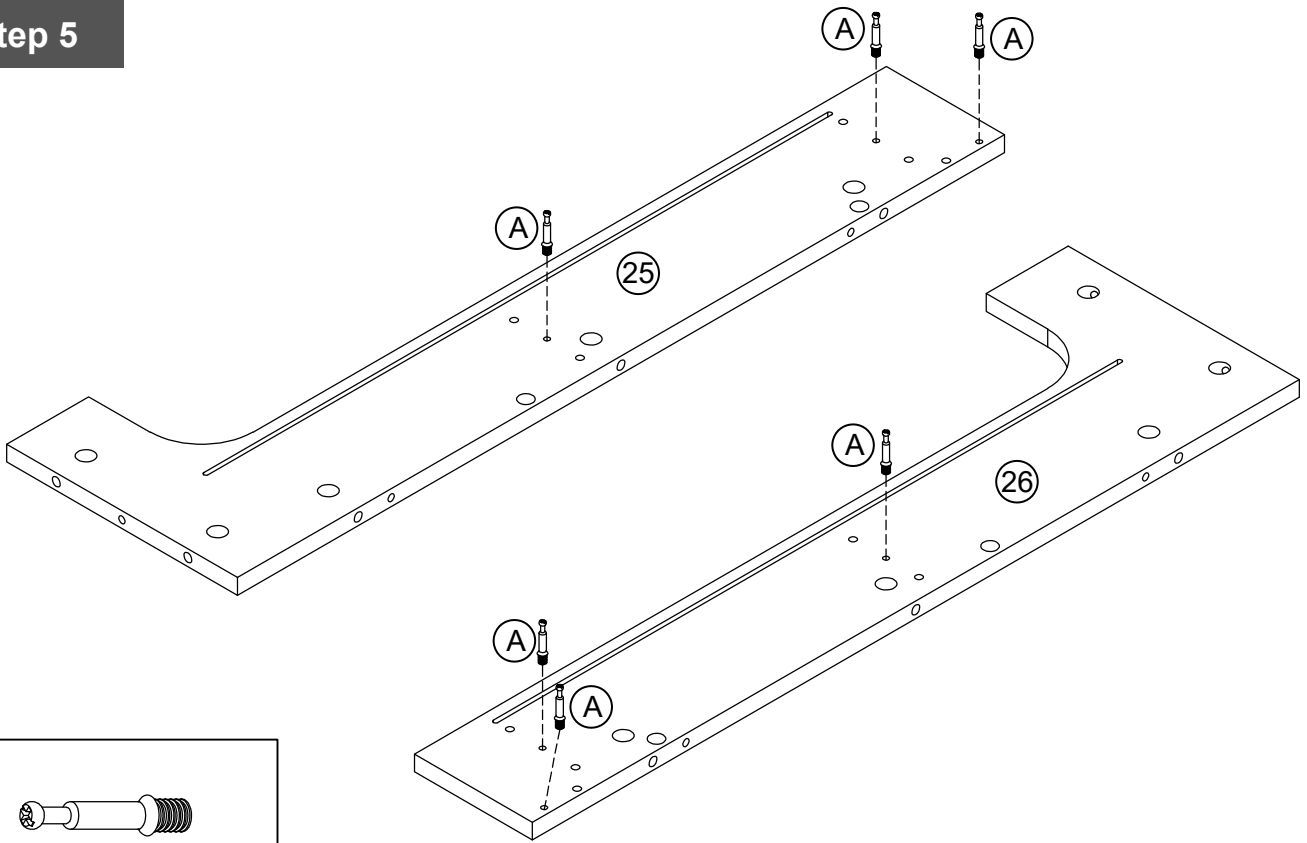
N



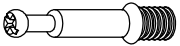
4*16mm Blot x 2

Assembly Instructions

Step 5

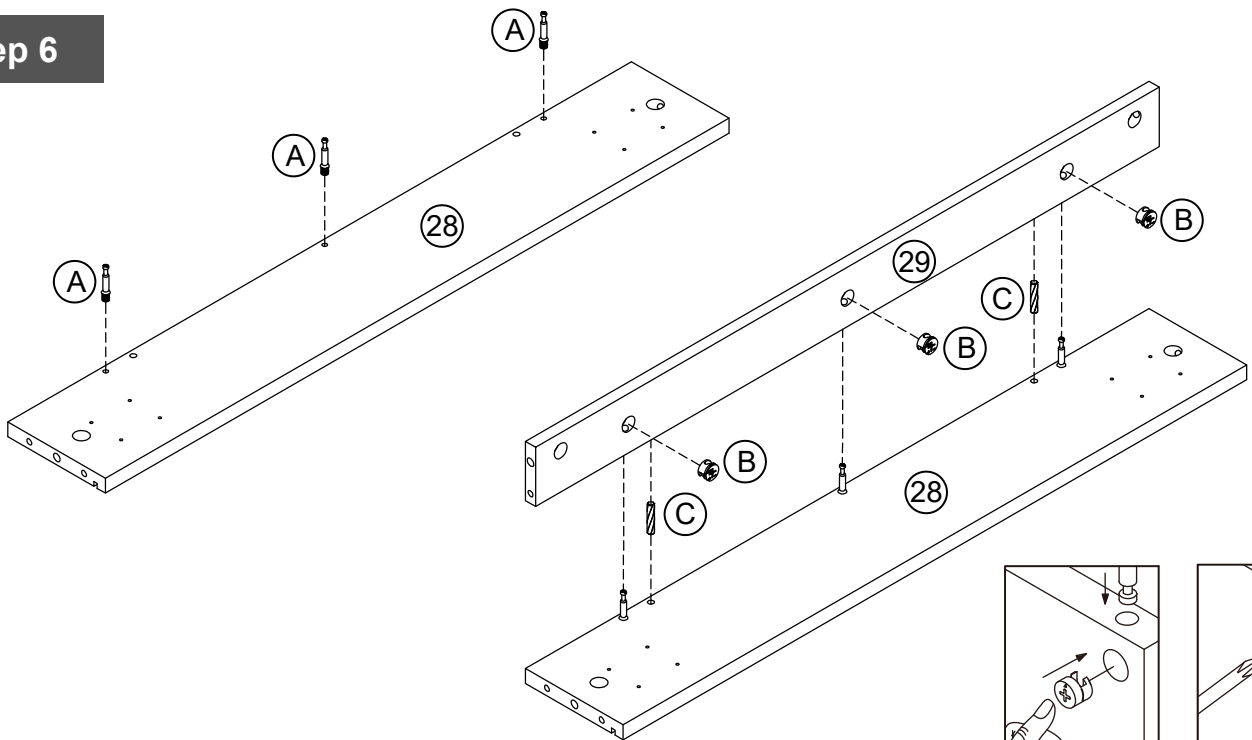


(A)

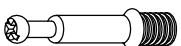


Cam Bolt x 6

Step 6



(A)



Cam Bolt x 3

(B)



Cam lock x 3

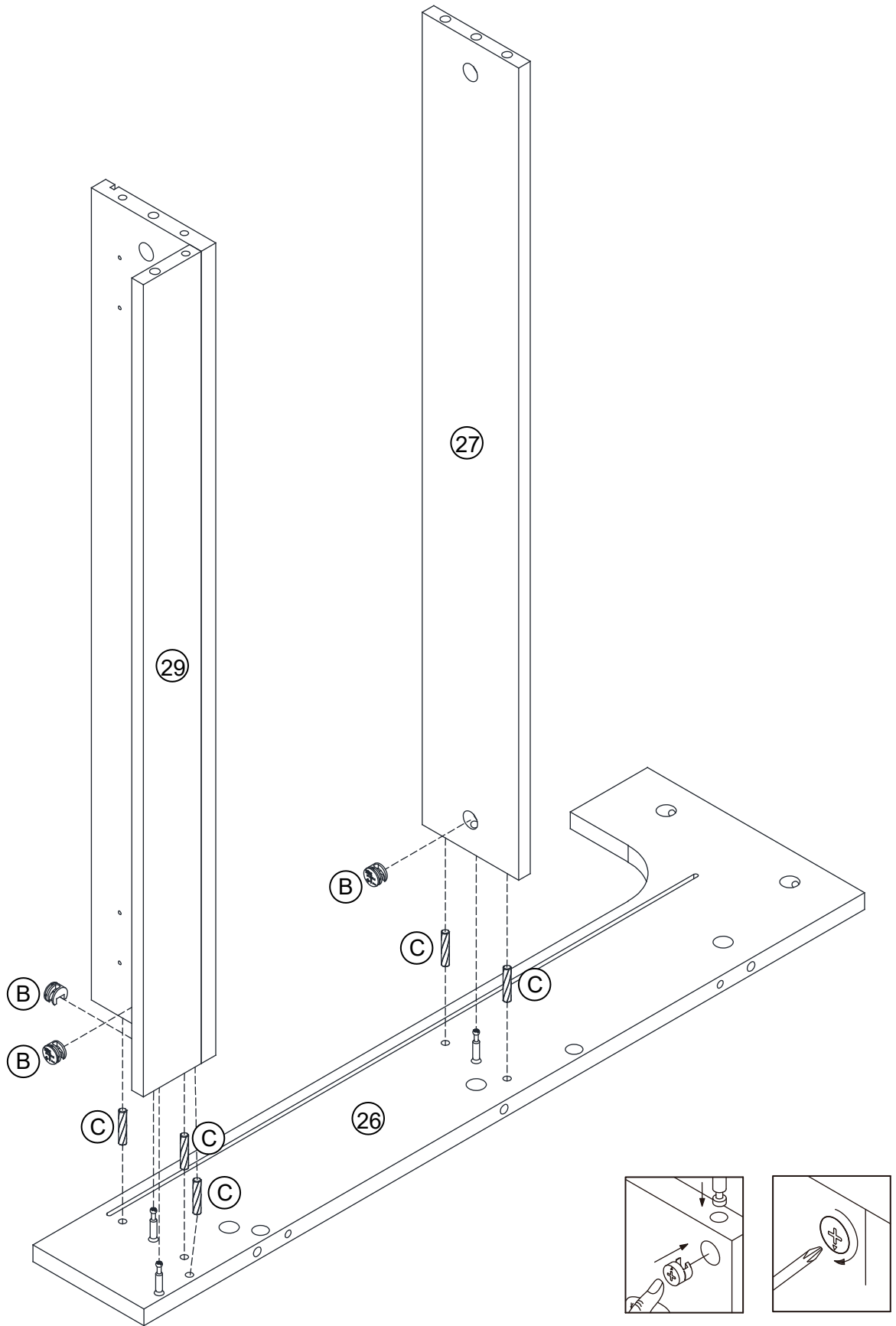
(C)



6*30mm Dowel x 2

Assembly Instructions

Step 7



(B)



Cam lock x 3

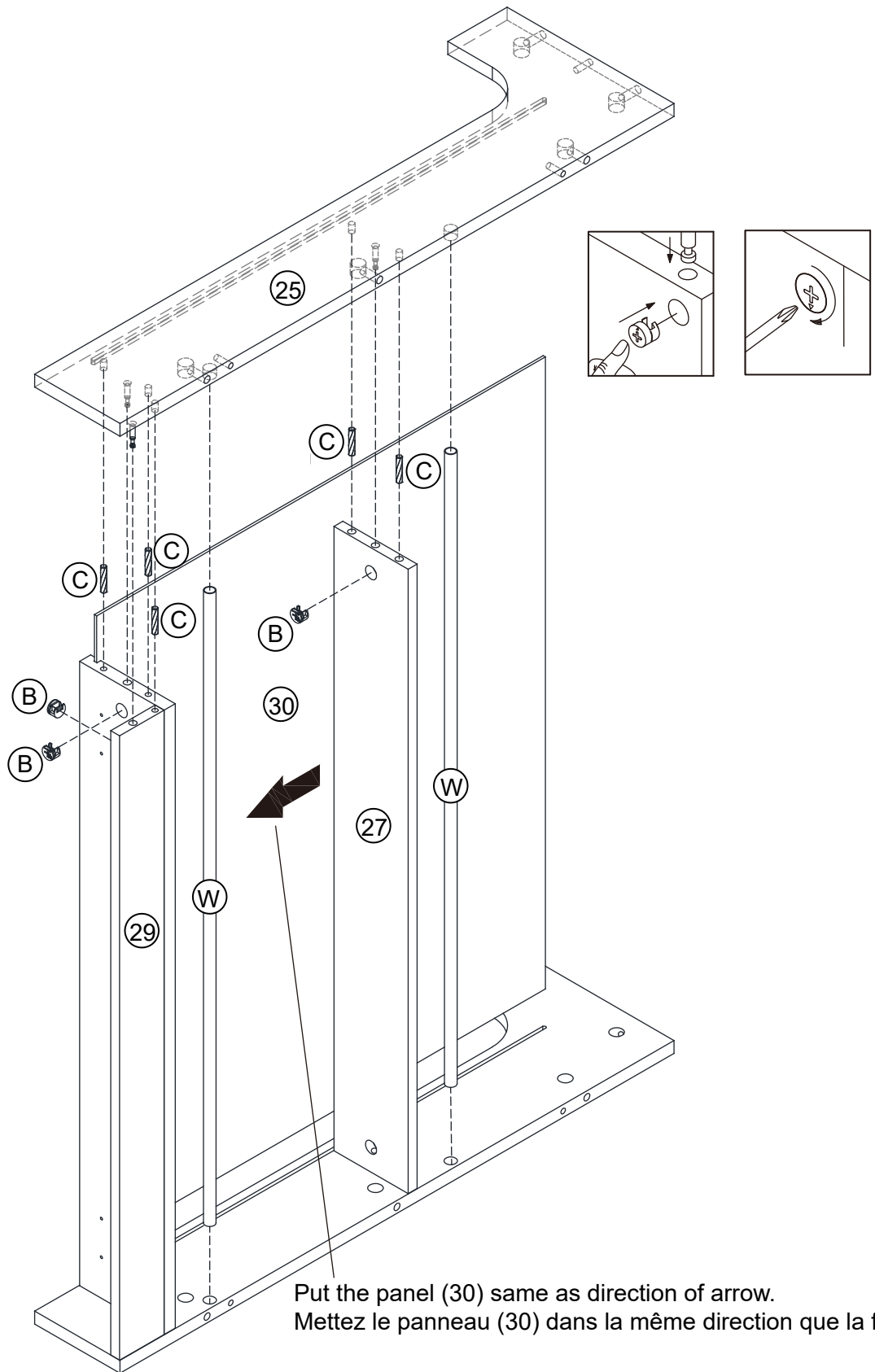
(C)



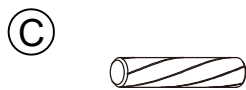
6*30mm Dowel x 5

Assembly Instructions

Step 8



Cam lock x 3



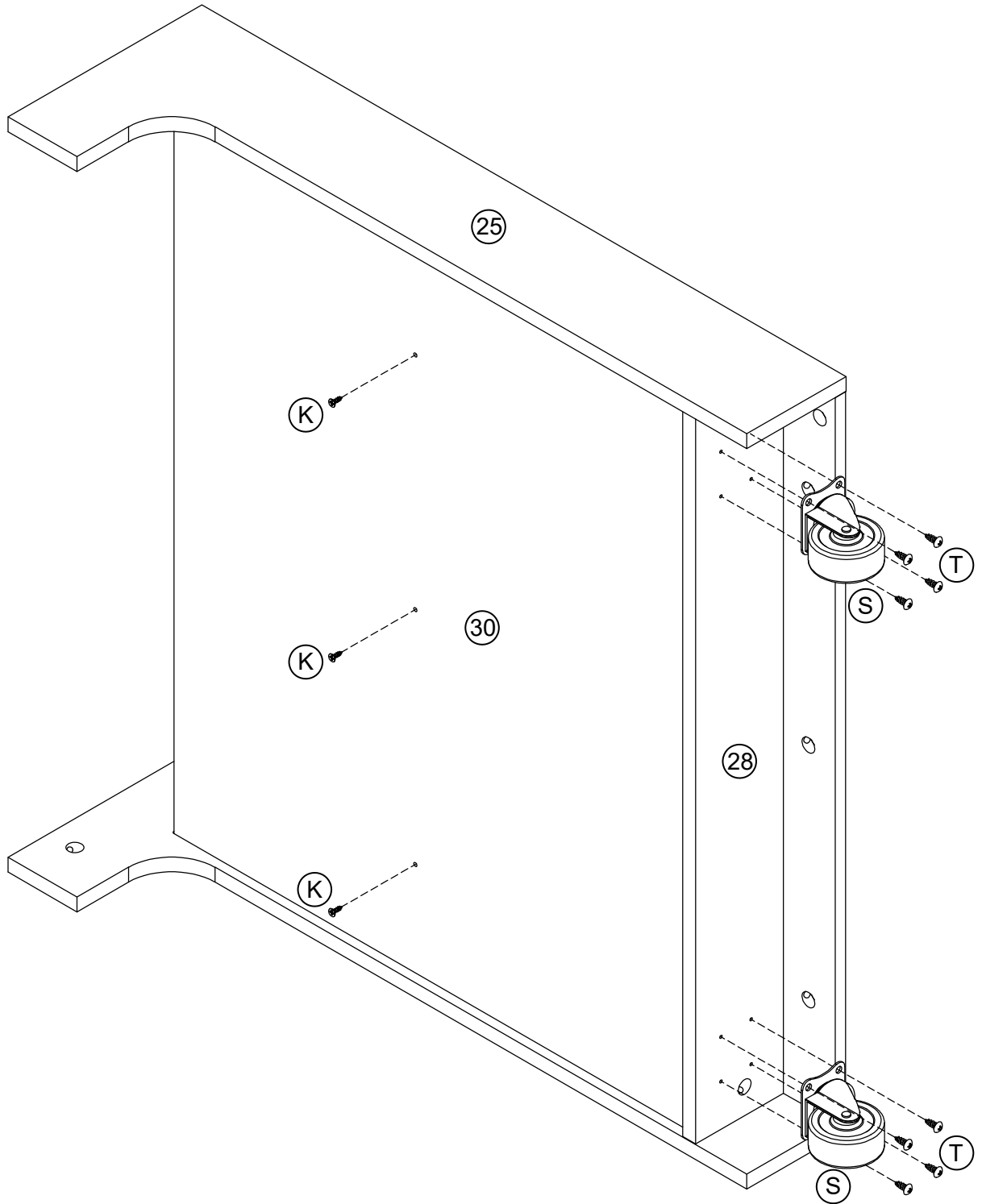
6*30mm Dowel x 5



Steel pipe x 2

Assembly Instructions

Step 9



(K)



3*12mm Screw x 3

(S)



Caster x 2

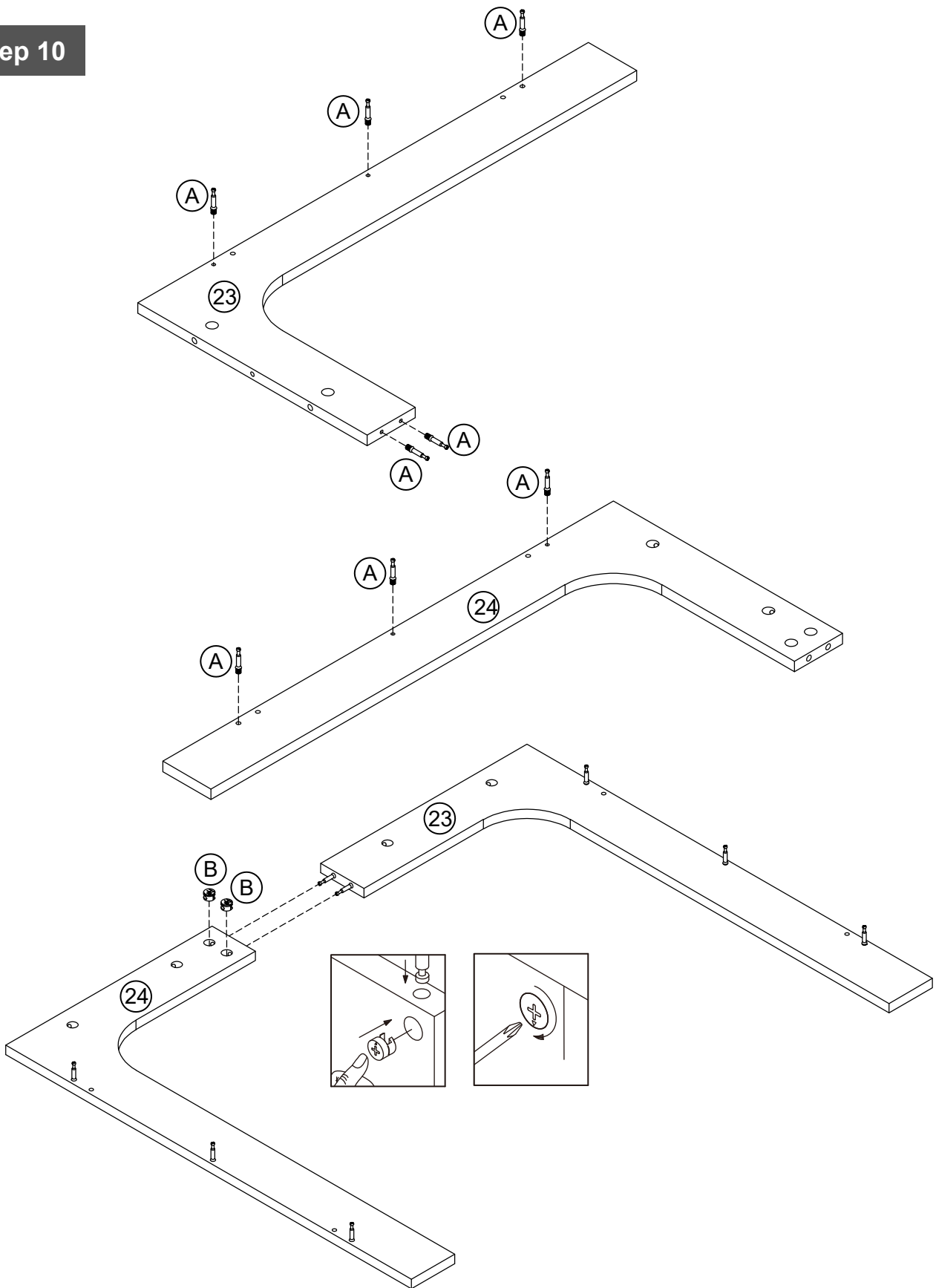
(T)



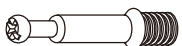
4*14mm Screw x 8

Assembly Instructions

Step 10



A



Cam Bolt x 8

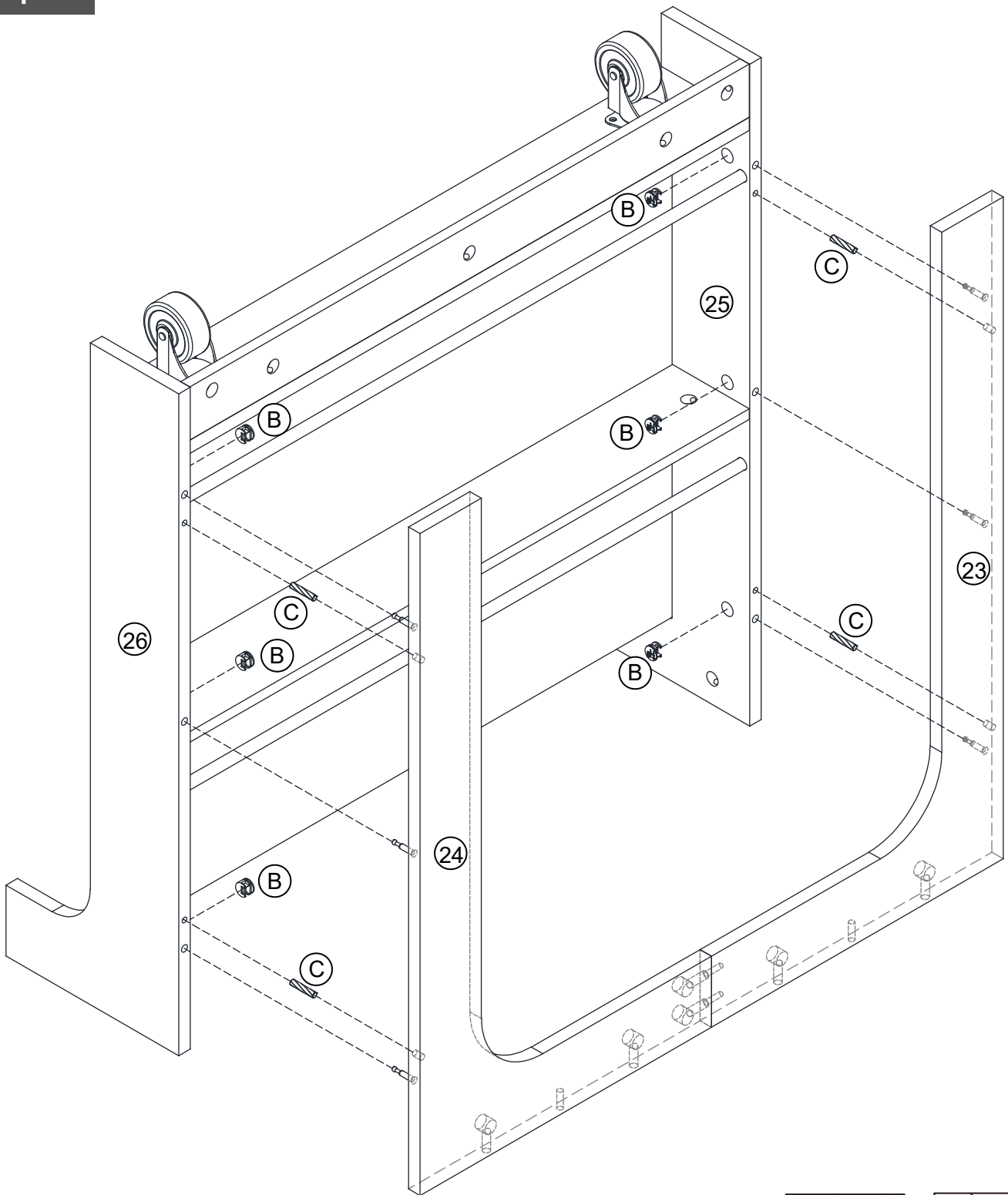
B



Cam lock x 2

Assembly Instructions

Step 11



B

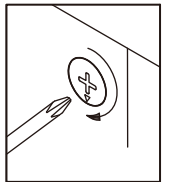
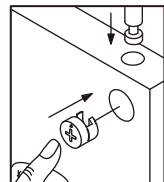


Cam lock x 6

C

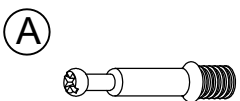
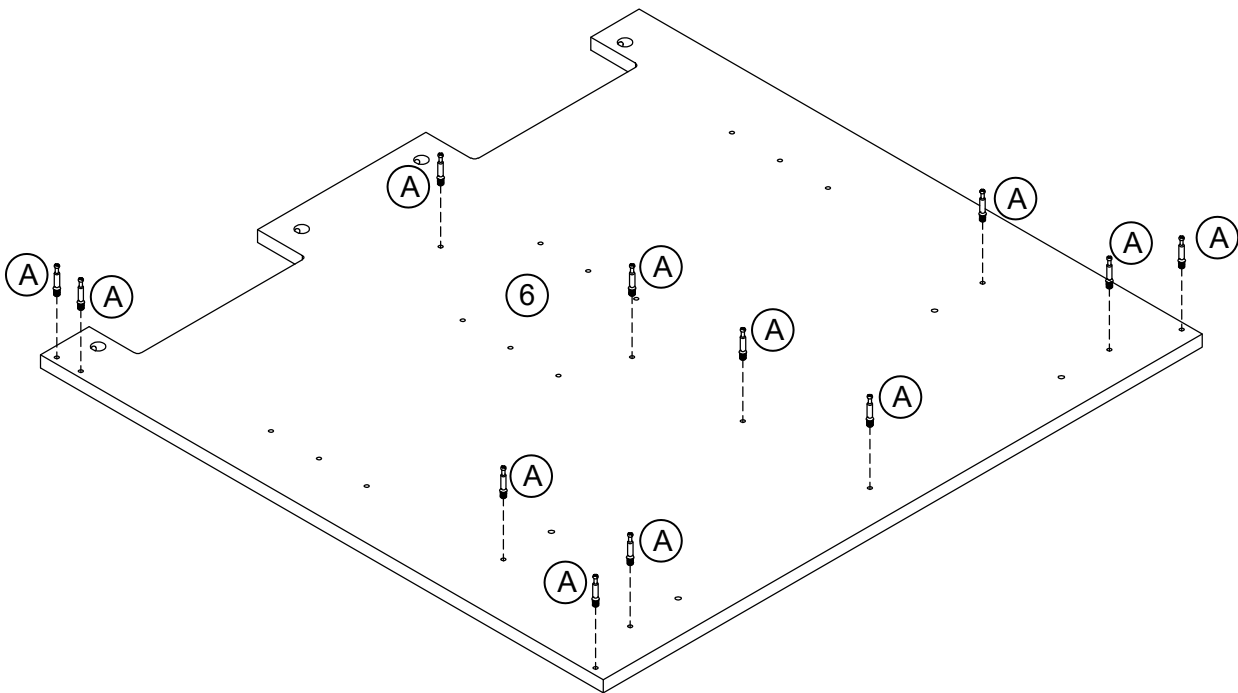
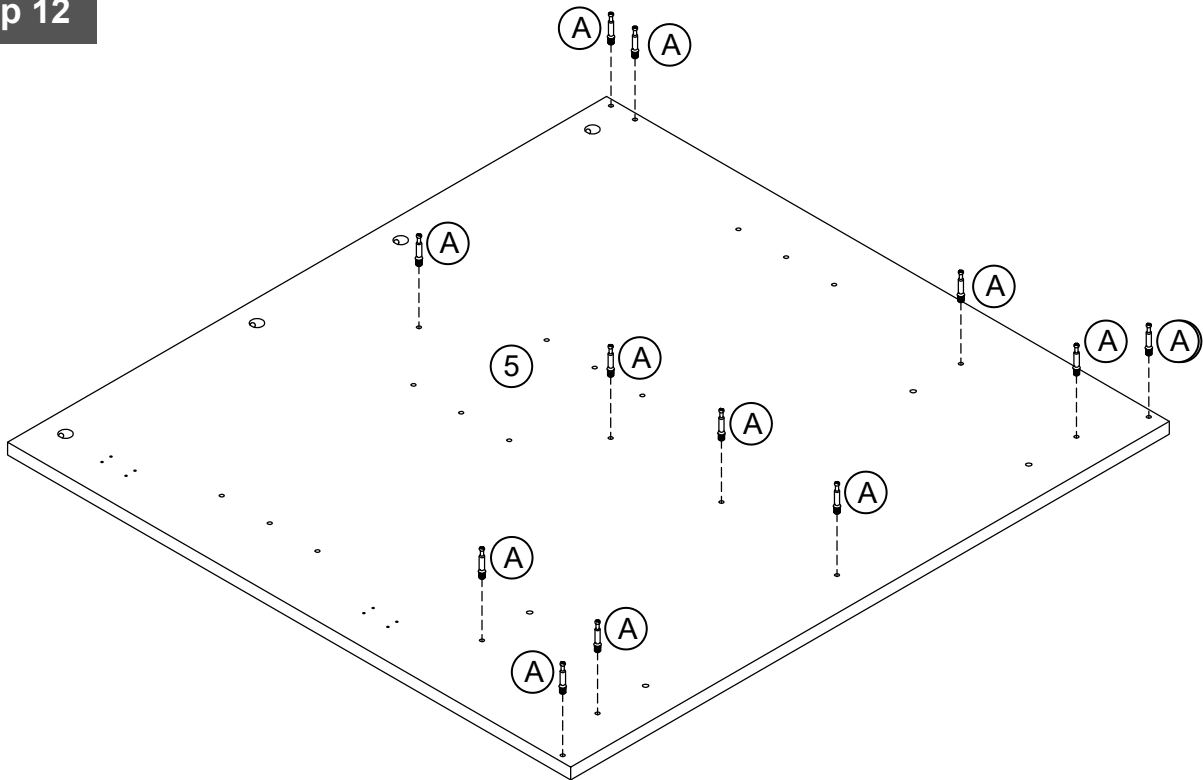


6*30mm Dowel x 4



Assembly Instructions

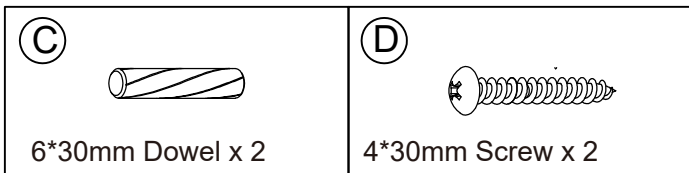
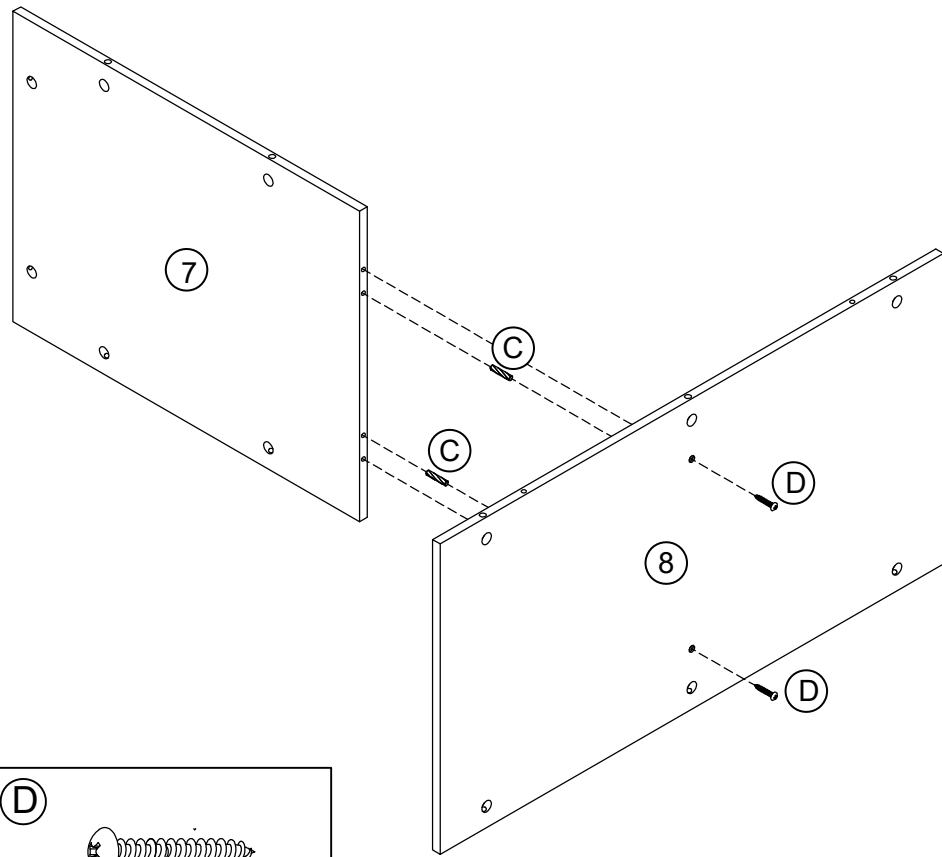
Step 12



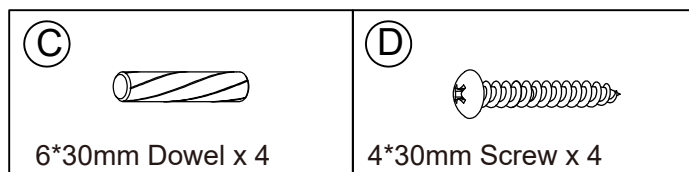
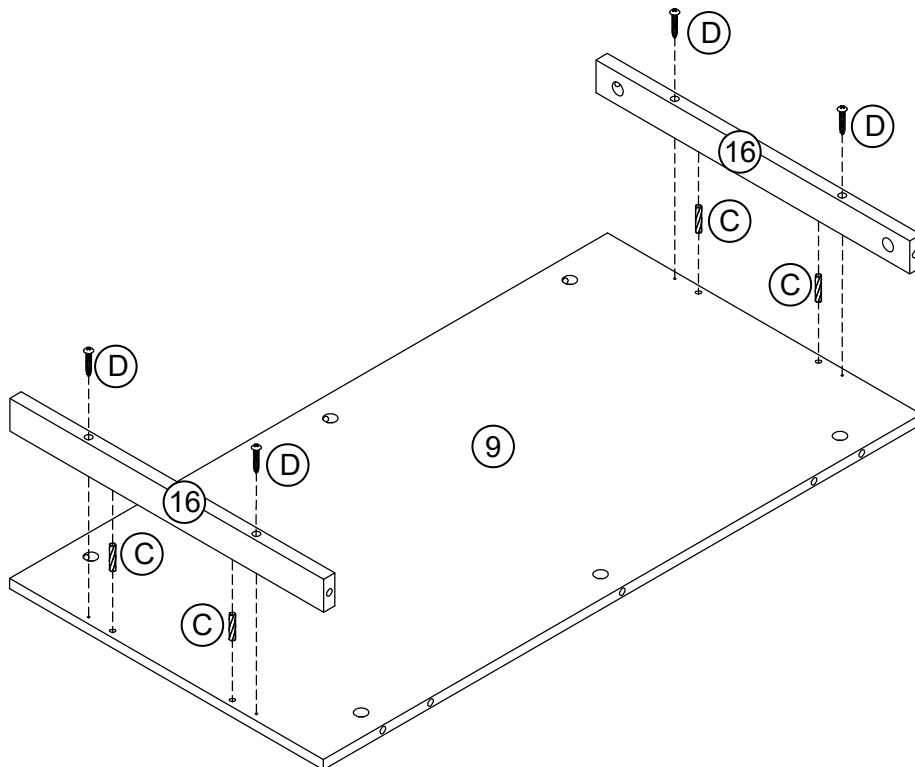
Cam Bolt x 24

Assembly Instructions

Step 13

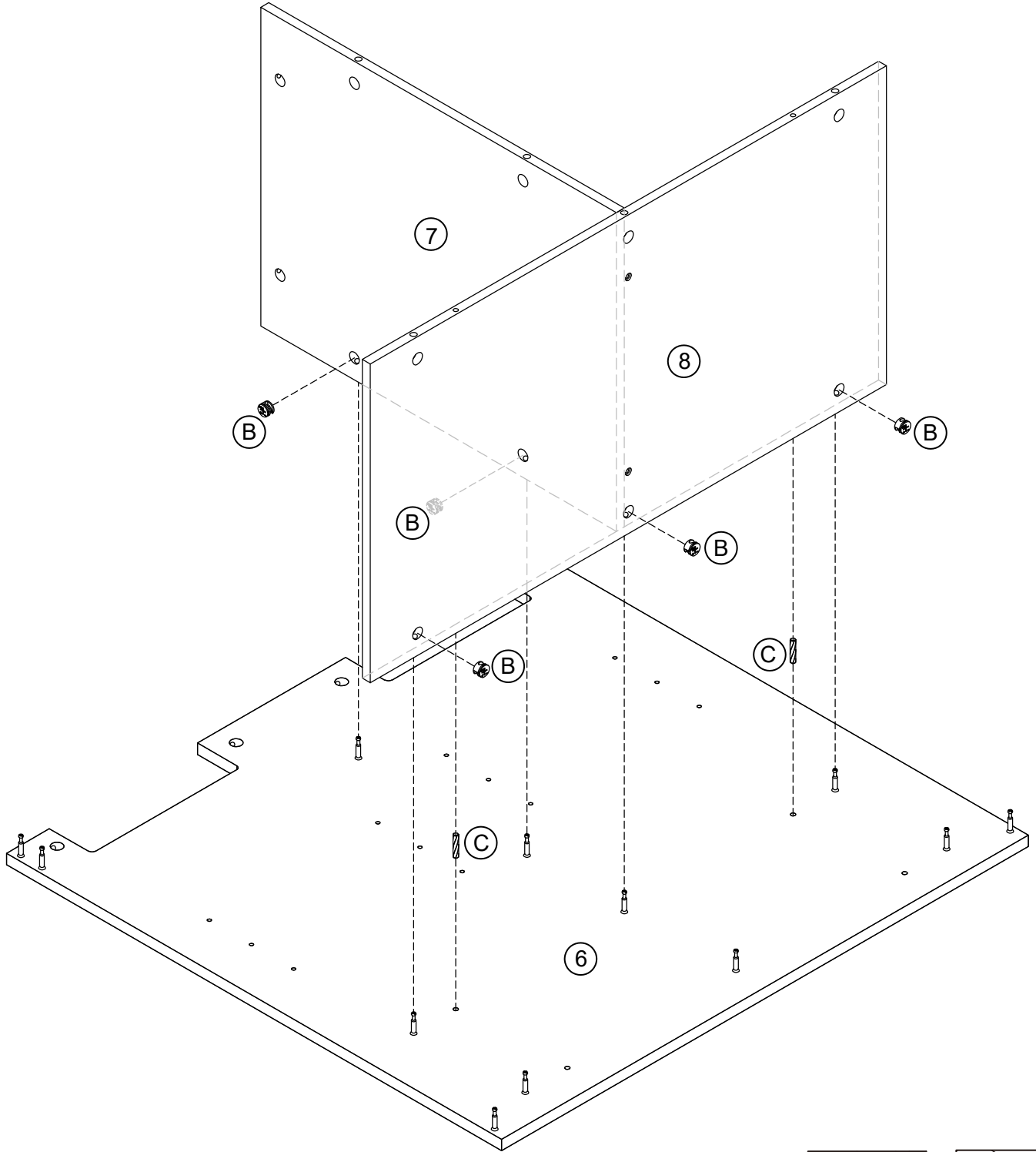


Step 14



Assembly Instructions

Step 15



(B)

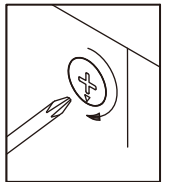
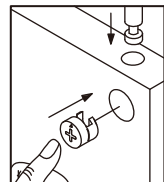


Cam lock x 5

(C)

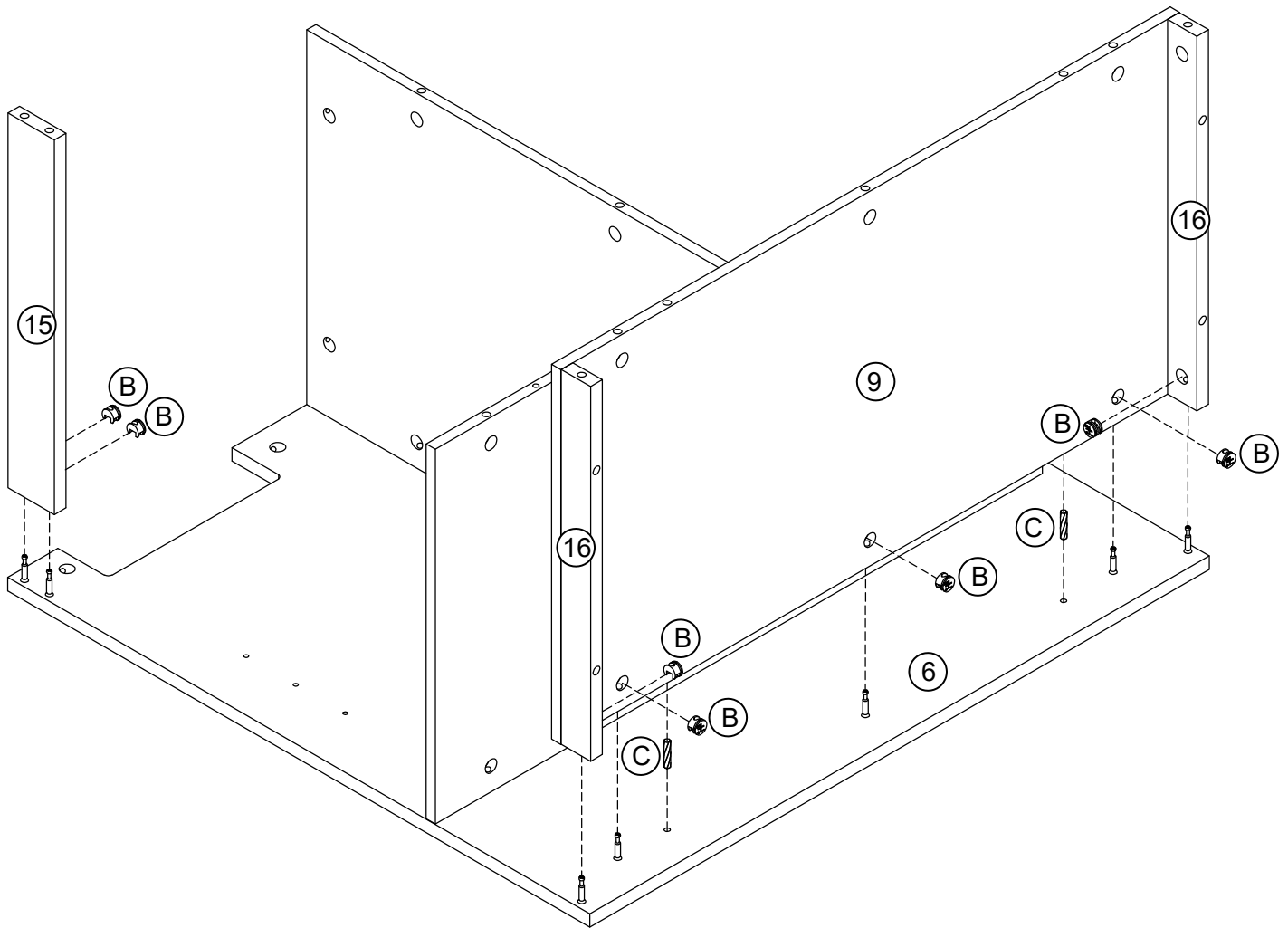


6*30mm Dowel x 2



Assembly Instructions

Step 16



B

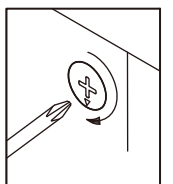
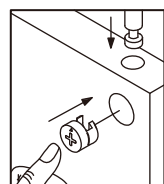


Cam lock x 7

C

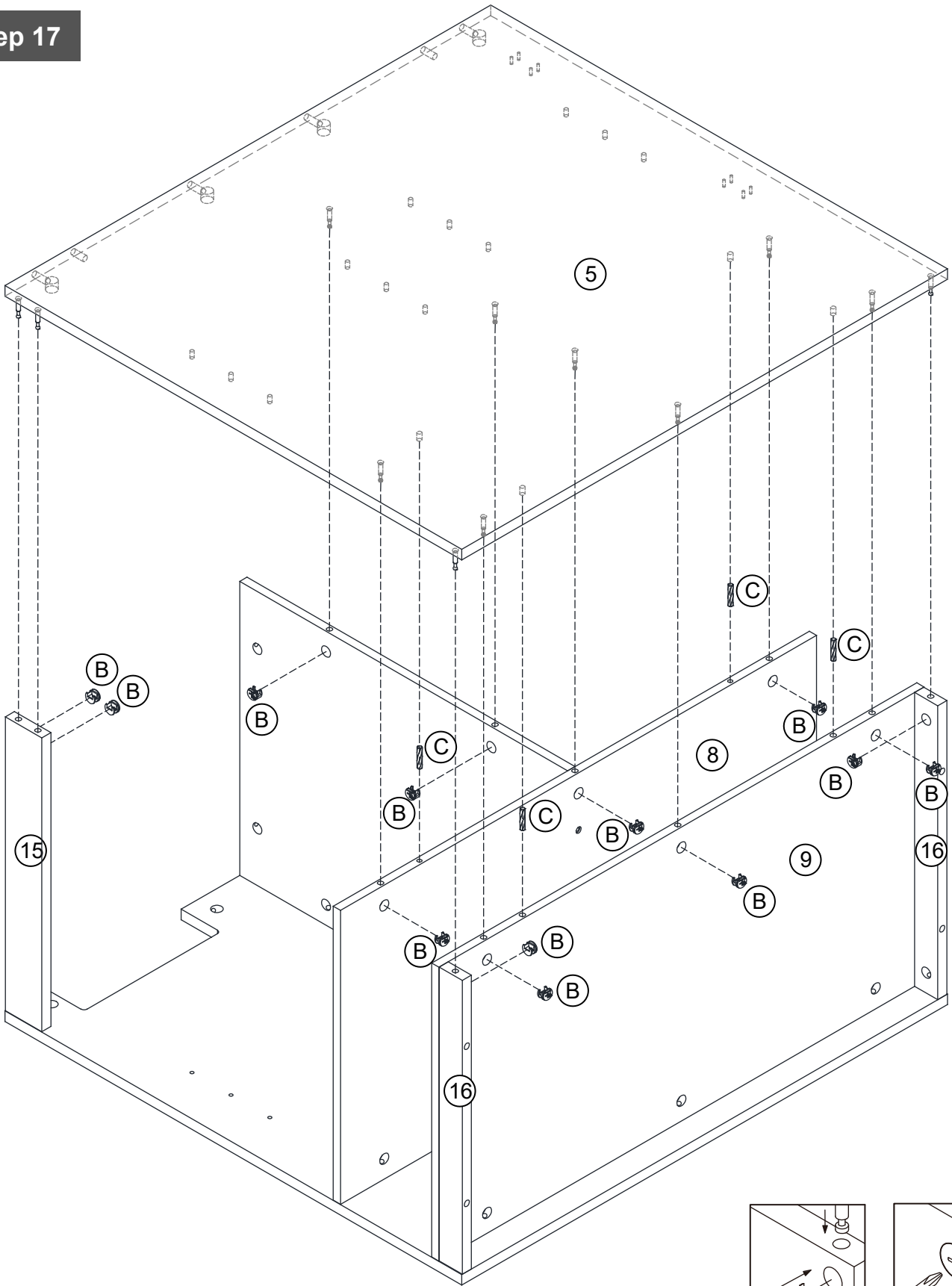


6*30mm Dowel x 2



Assembly Instructions

Step 17



(B)

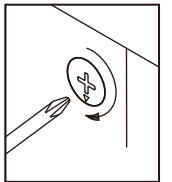
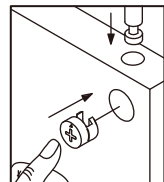


Cam lock x 12

(C)

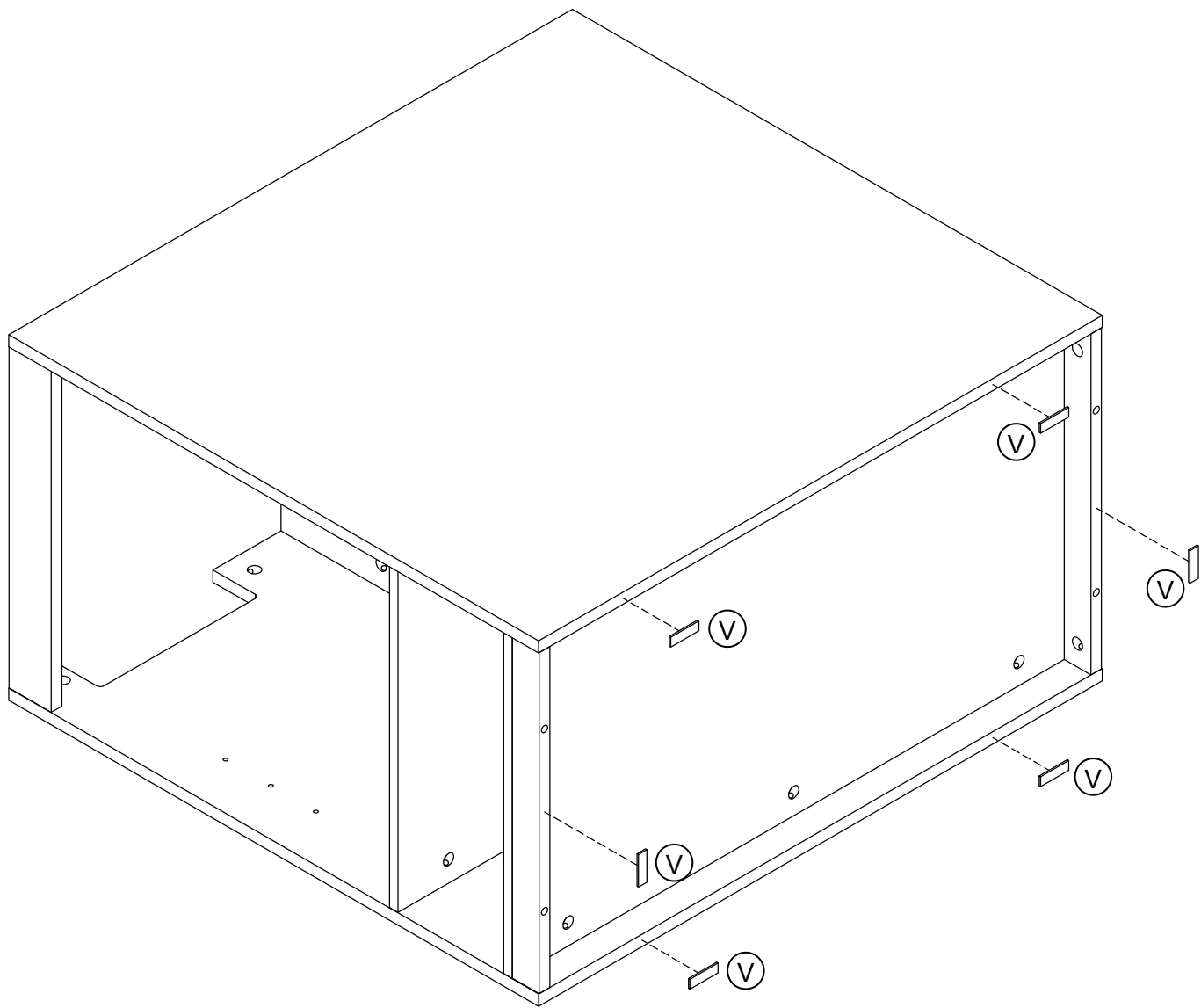


6*30mm Dowel x 4

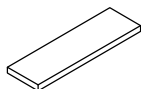


Assembly Instructions

Step 18



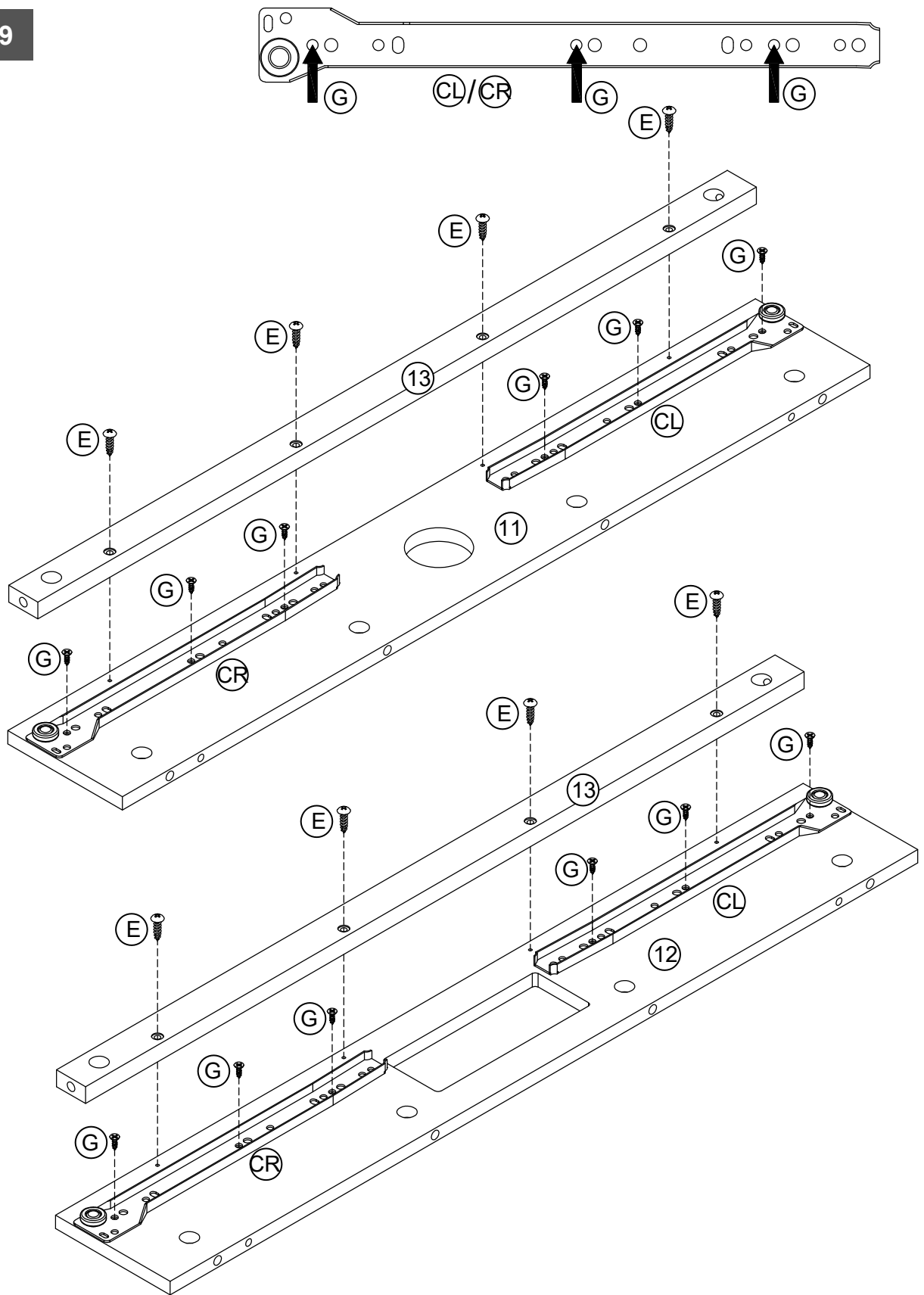
V



Felt pad x 6

Assembly Instructions

Step 19



(E)



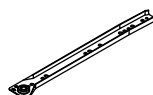
4*25mm Screw x 8

(G)



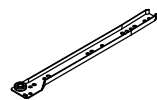
4*12mm Screw x 12

(CL)



Runner 300mm x 2

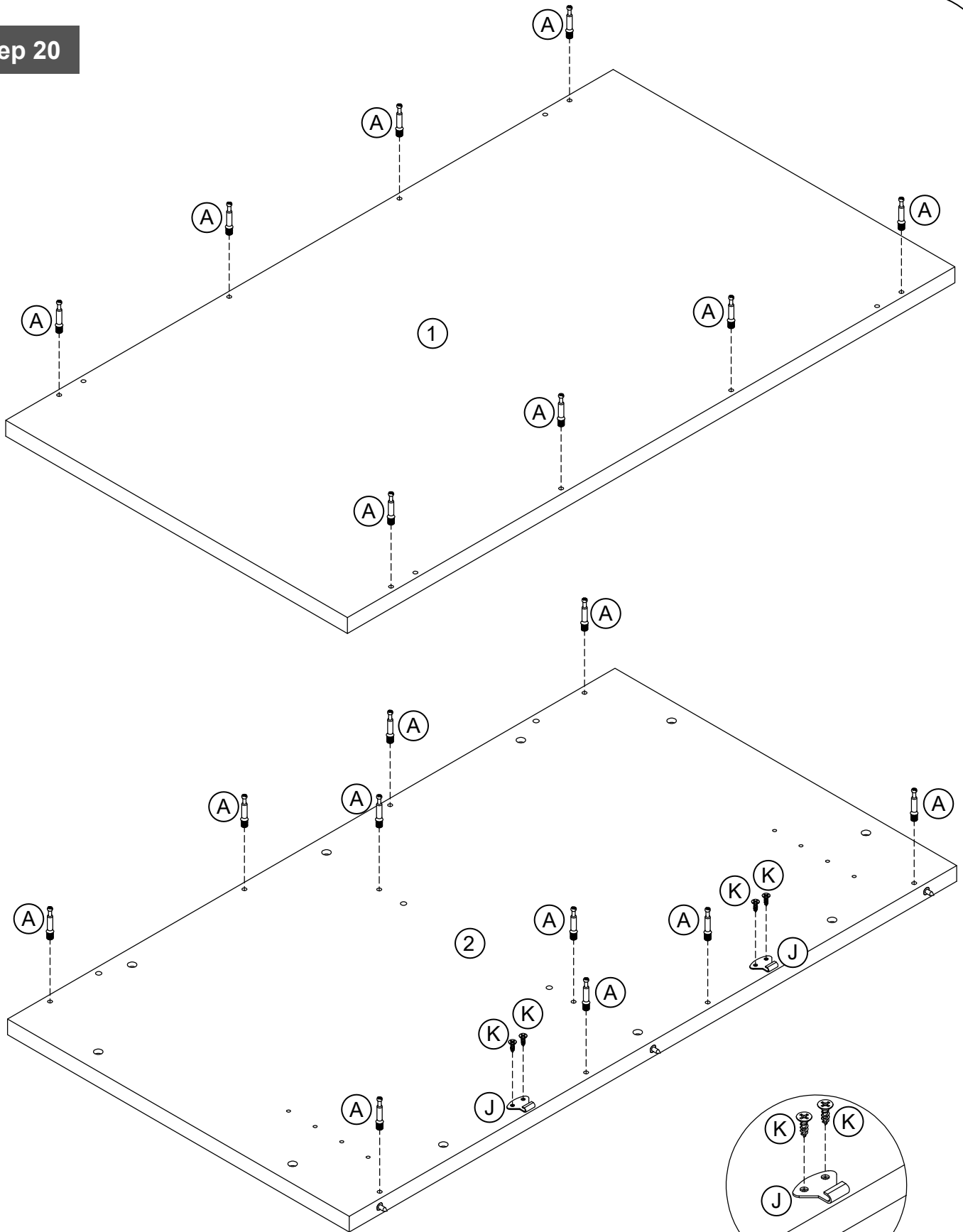
(CR)



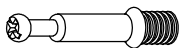
Runner 300mm x 2

Assembly Instructions

Step 20



(A)



Cam Bolt x 18

(J)



Spring catch x 2

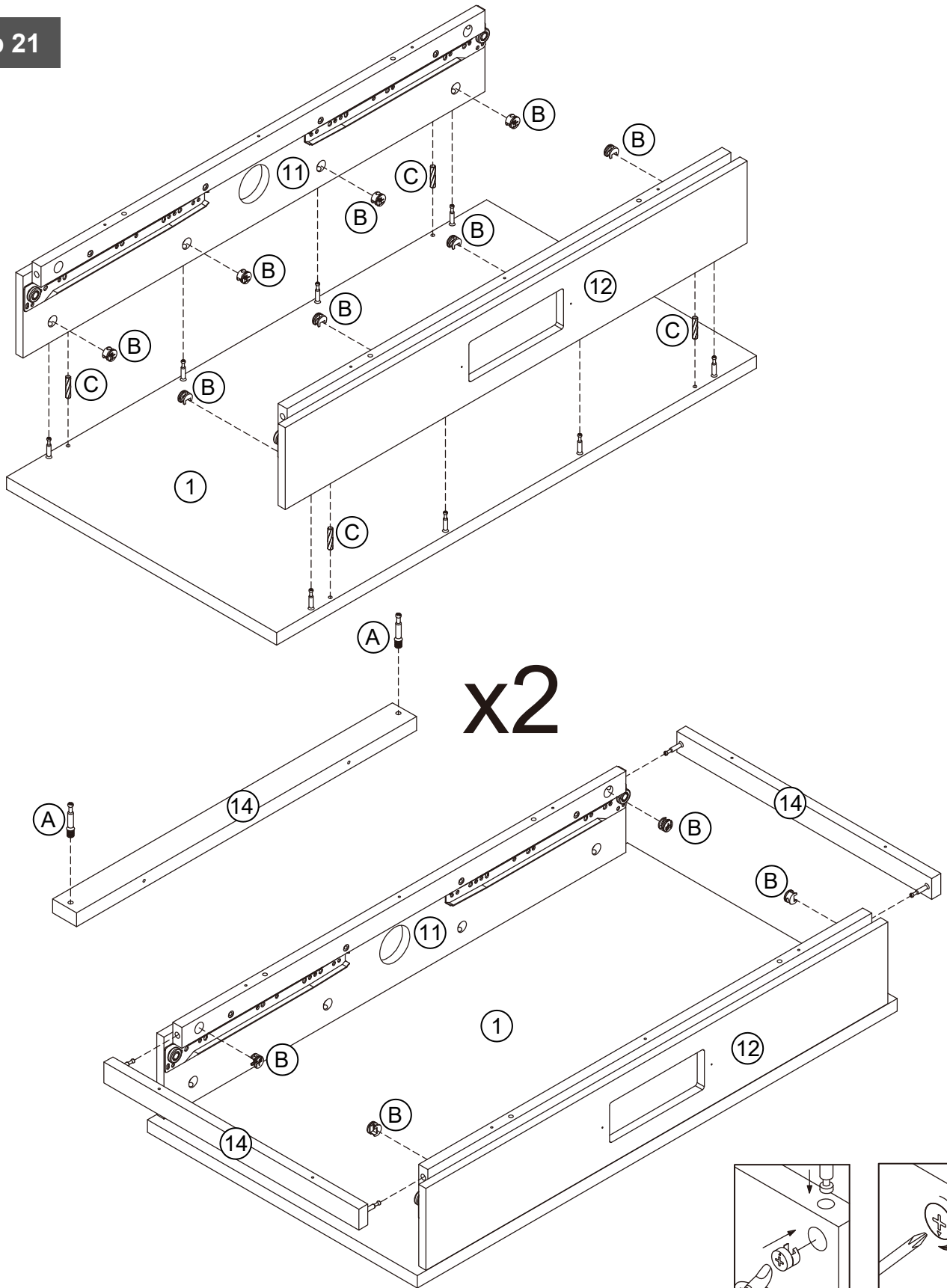
(K)



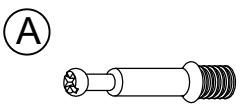
3*12mm Screw x 4

Assembly Instructions

Step 21



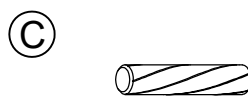
x2



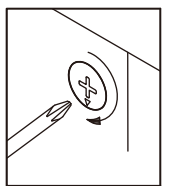
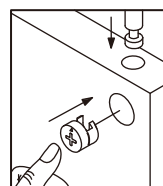
Cam Bolt x 4



Cam lock x 12

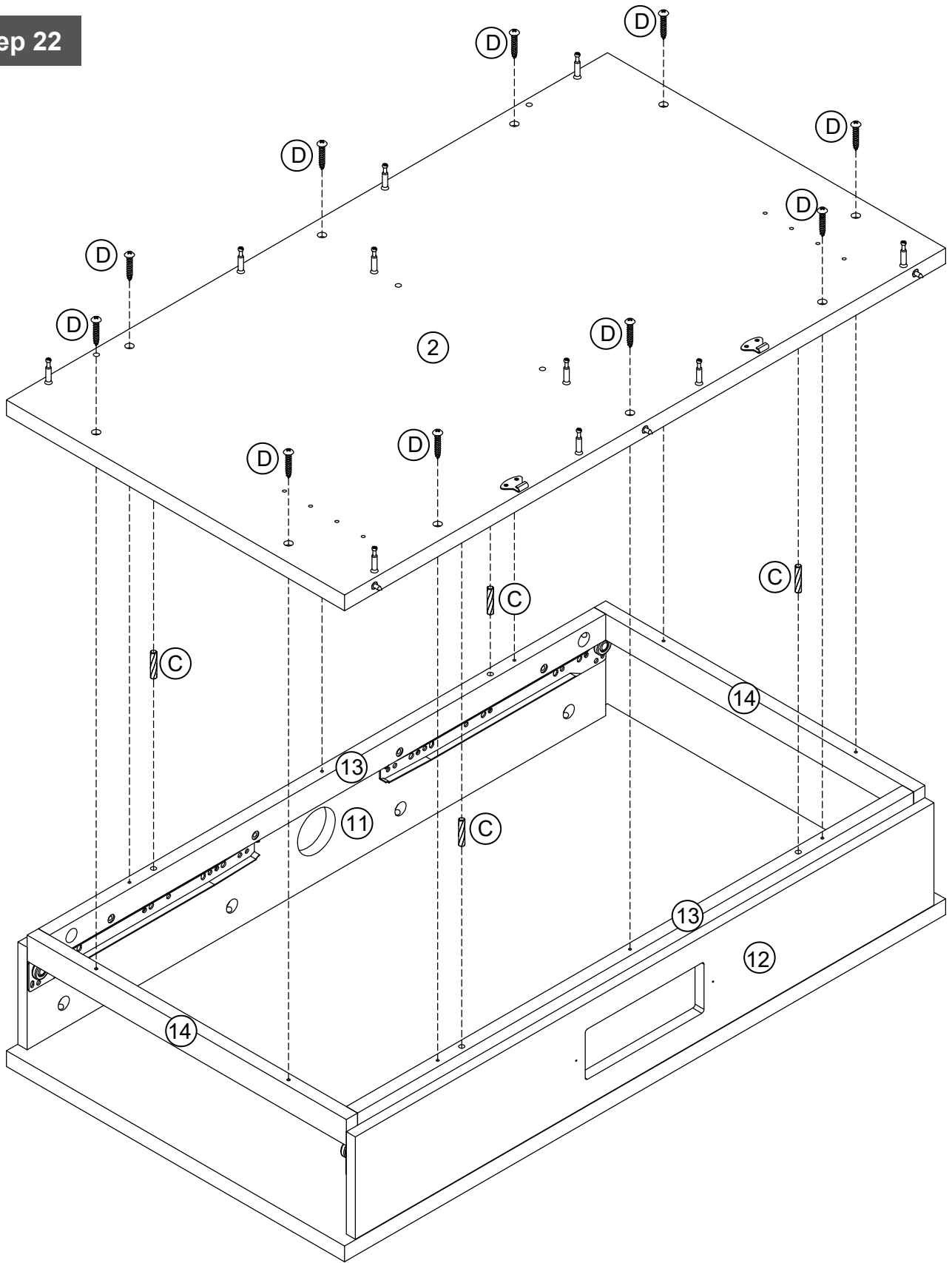


6*30mm Dowel x 4

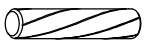


Assembly Instructions

Step 22



(C)



6*30mm Dowel x 4

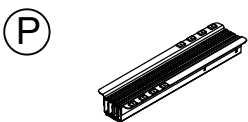
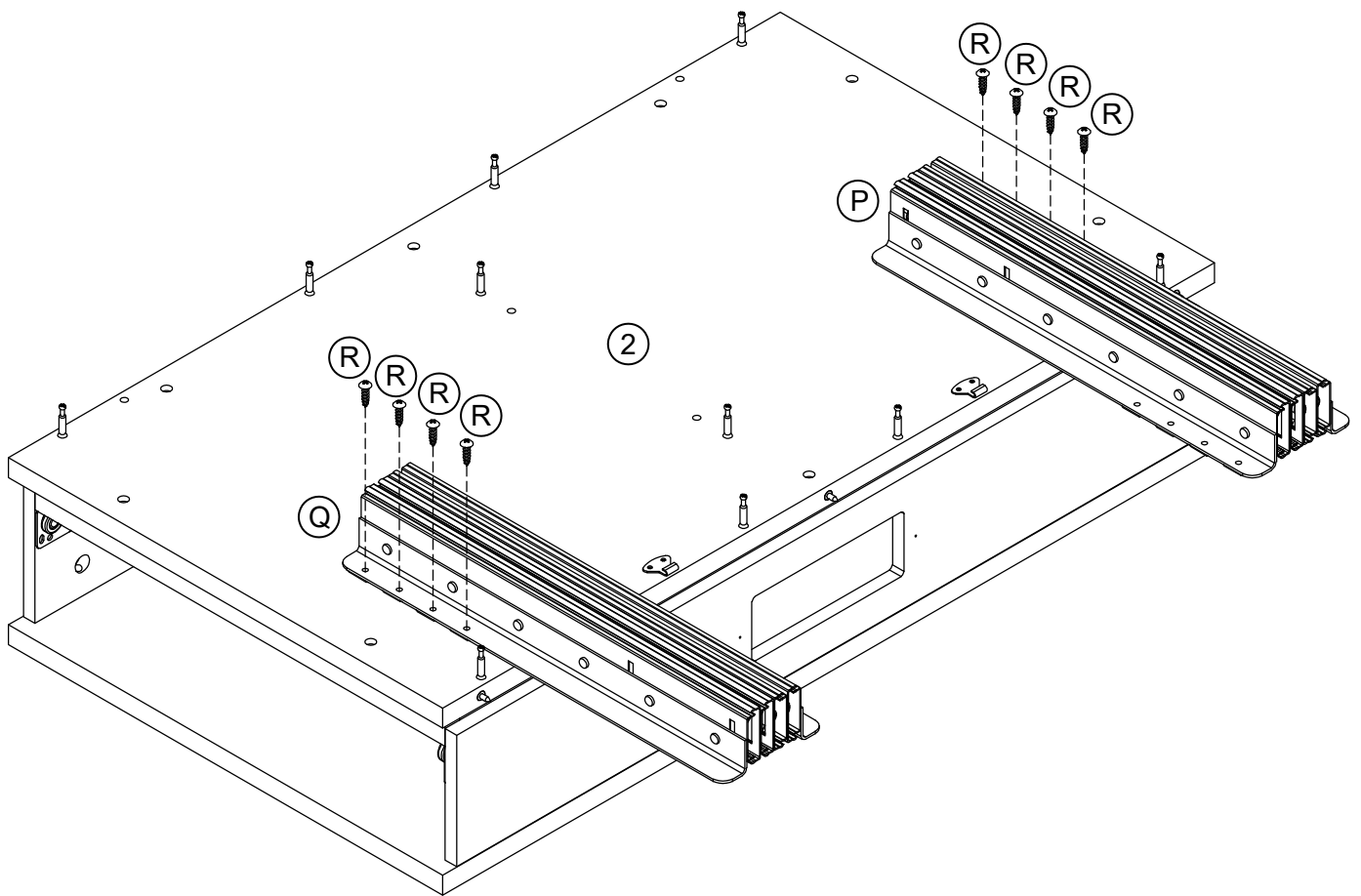
(D)



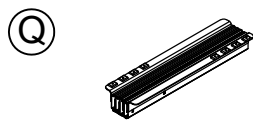
4*30mm Screw x 10

Assembly Instructions

Step 23



Left slide rail x 1



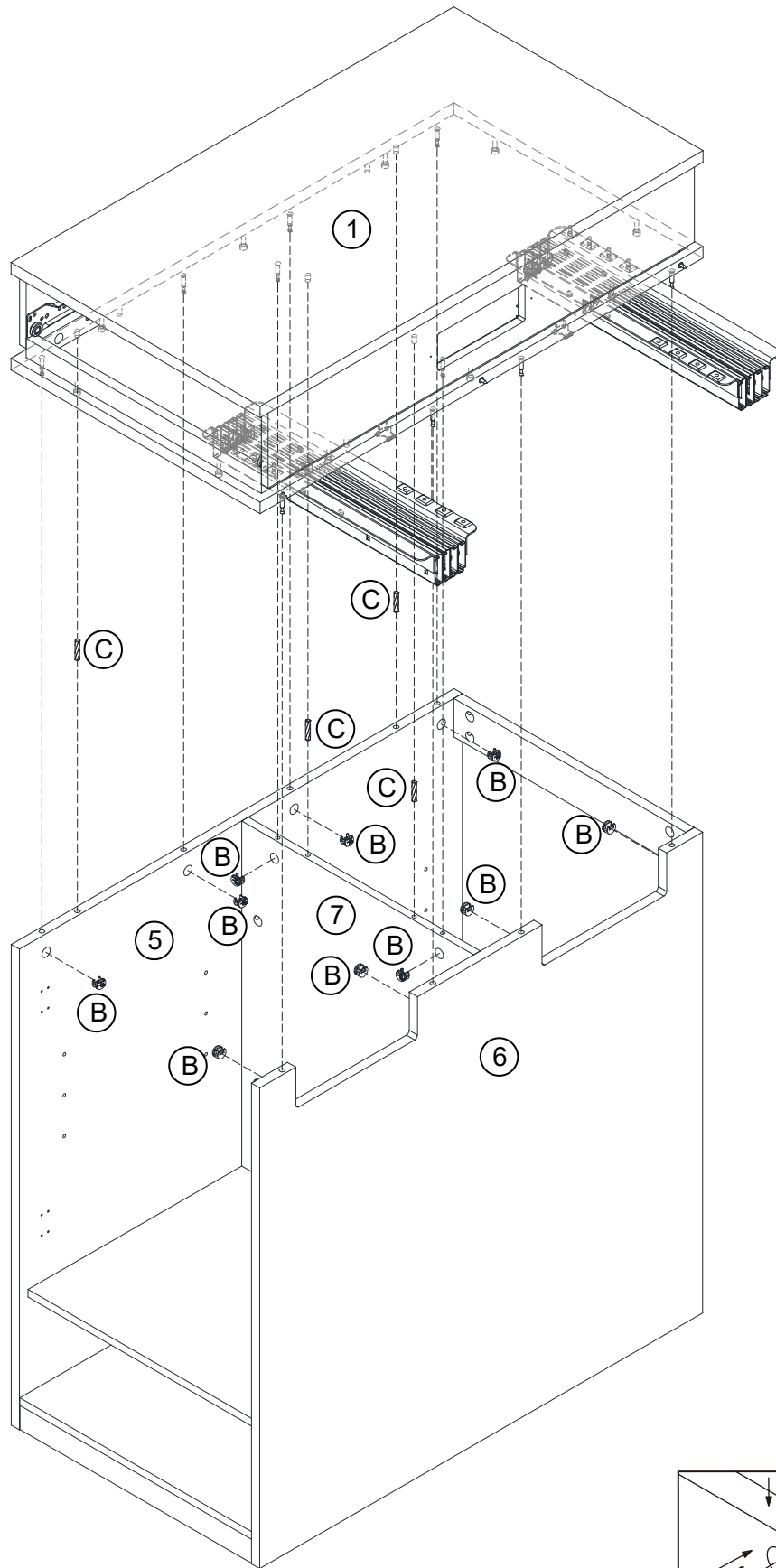
Right slide rail x 1



5*16mm Screw x 8

Assembly Instructions

Step 24



B

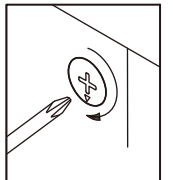
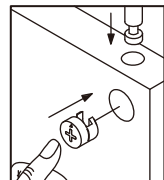


Cam lock x 10

C

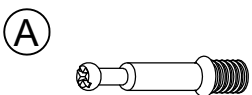
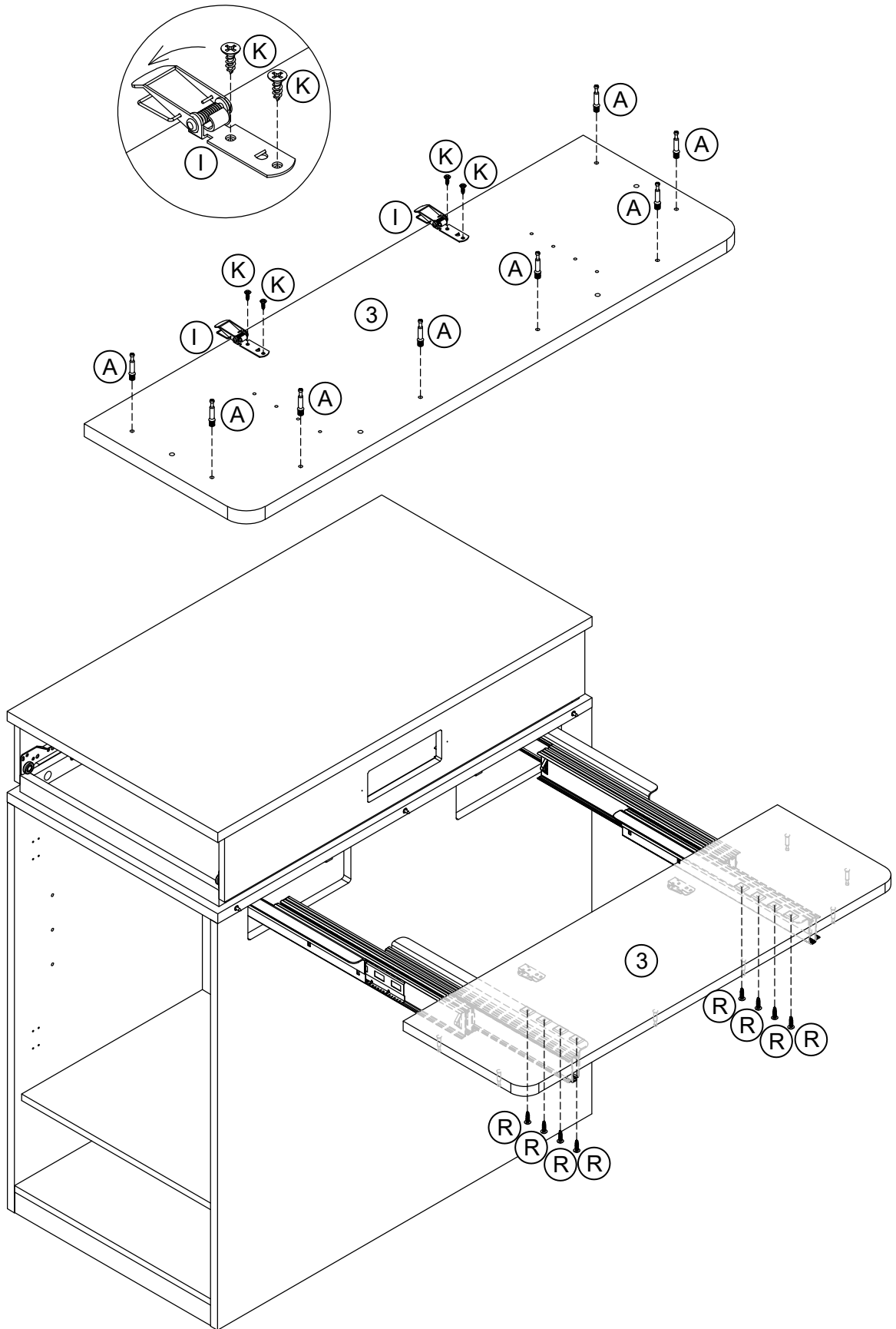


6*30mm Dowel x 4

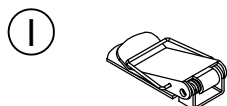


Assembly Instructions

Step 25



Cam Bolt x 8



Spring catch x 2



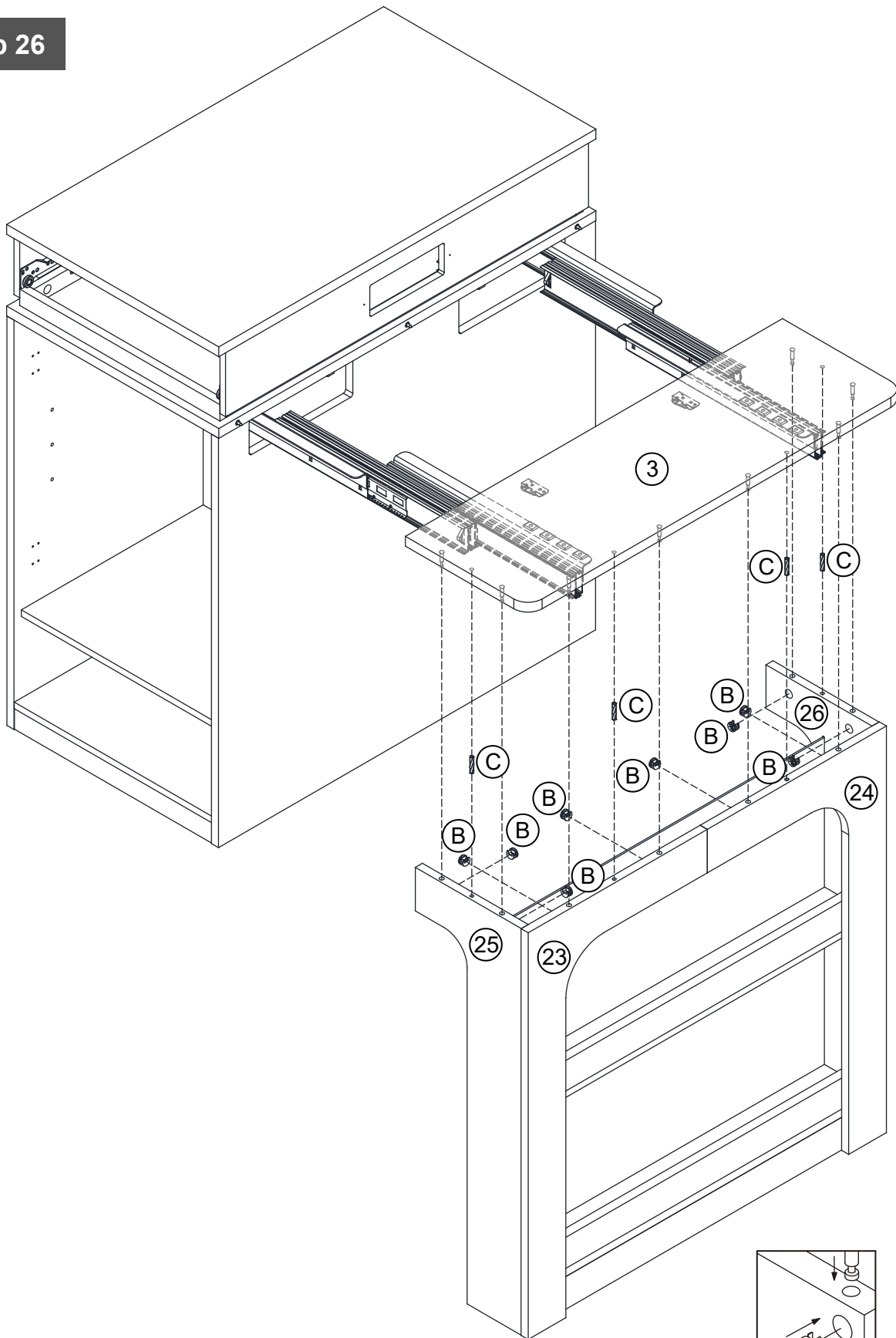
3*12mm Screw x 4



5*16mm Screw x 8

Assembly Instructions

Step 26



(B)

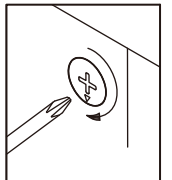
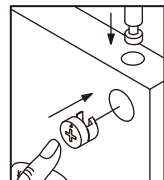


Cam lock x 8

(C)

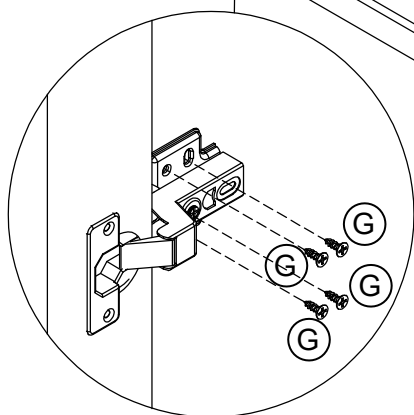
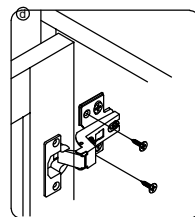
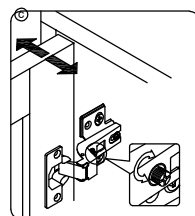
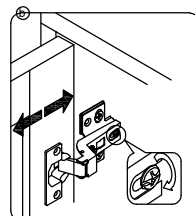
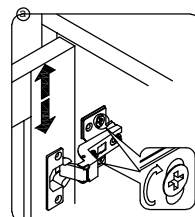
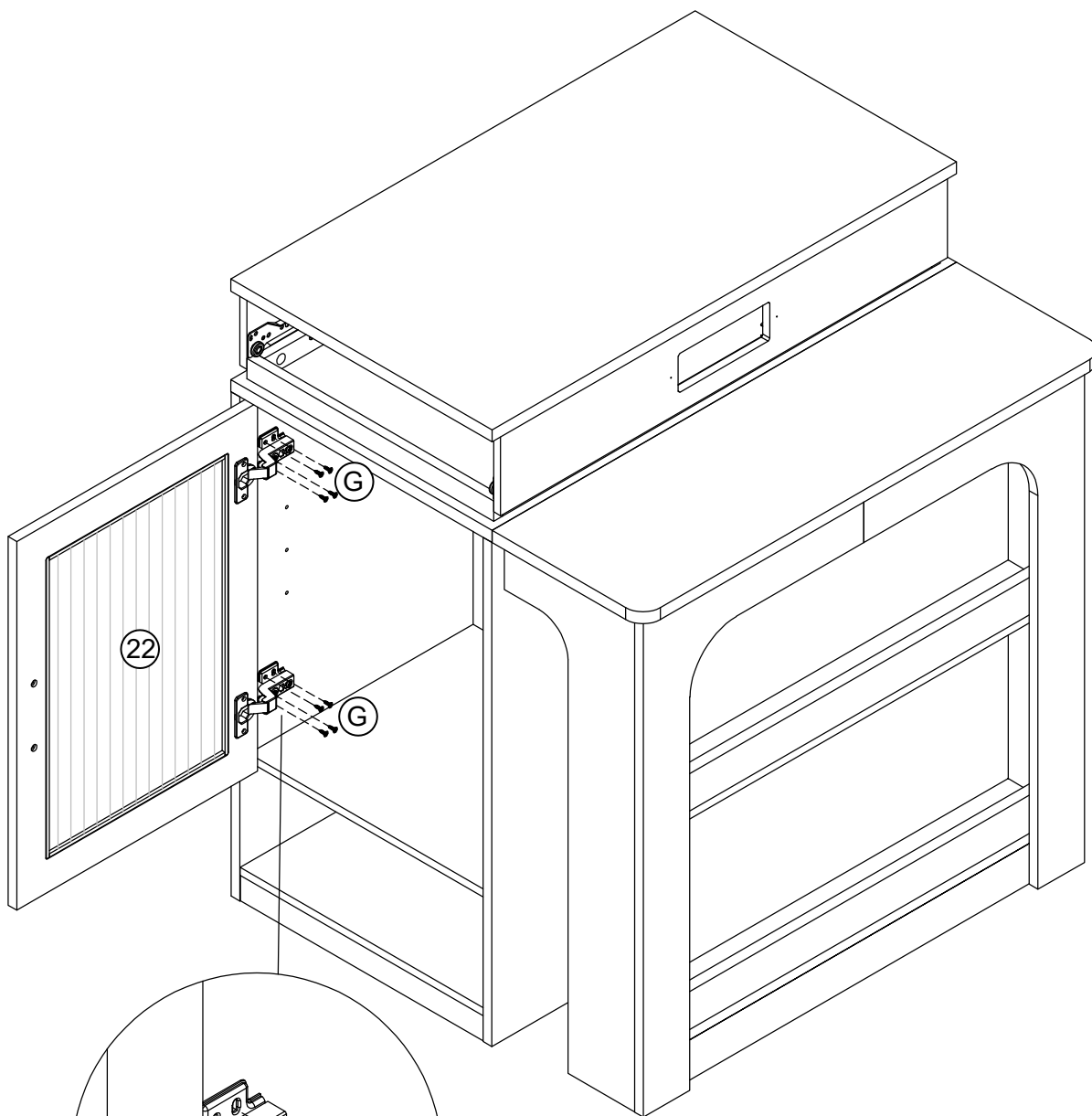


6*30mm Dowel x 4



Assembly Instructions

Step 27



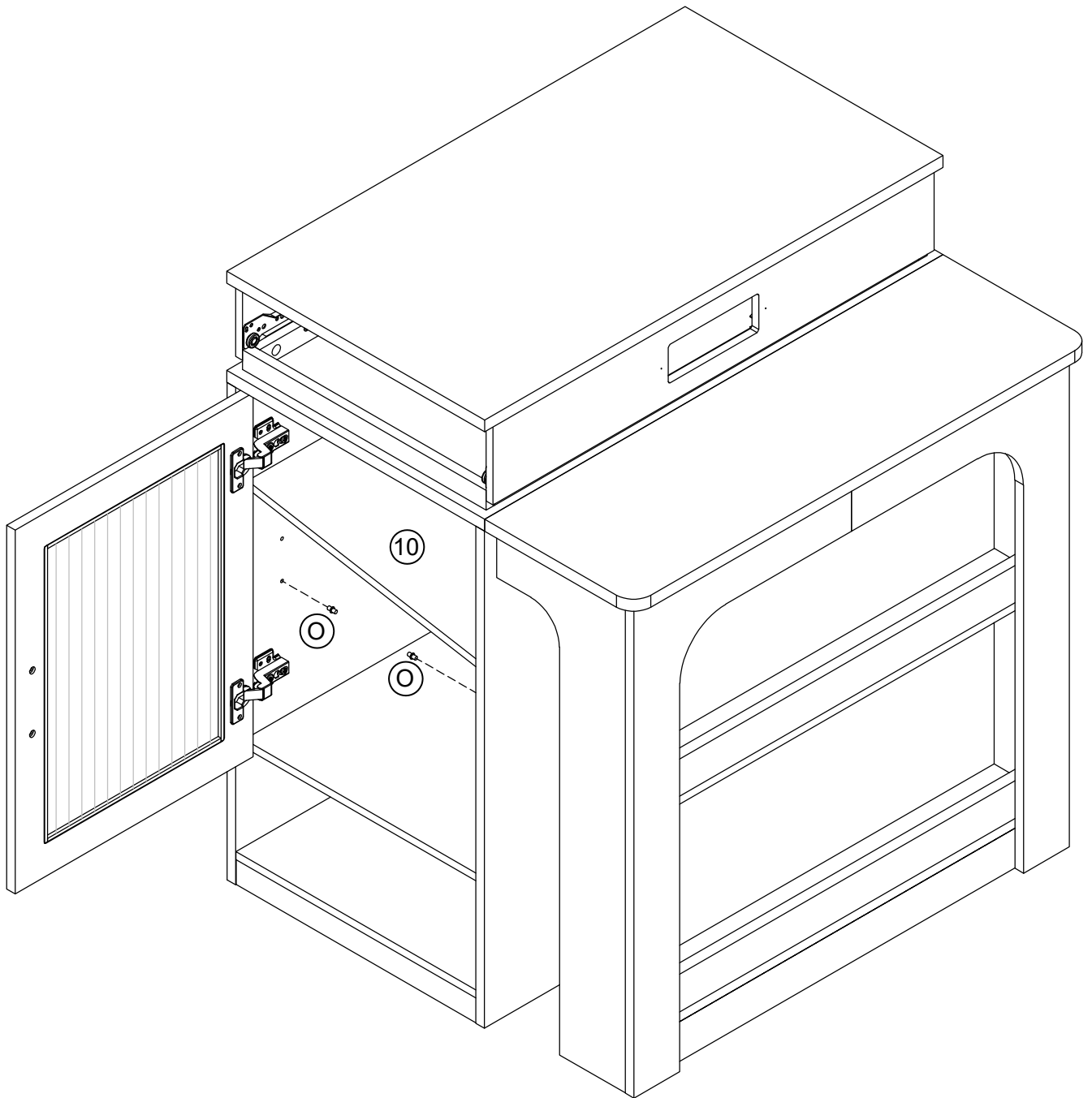
G



4*12mm Screw x 8

Assembly Instructions

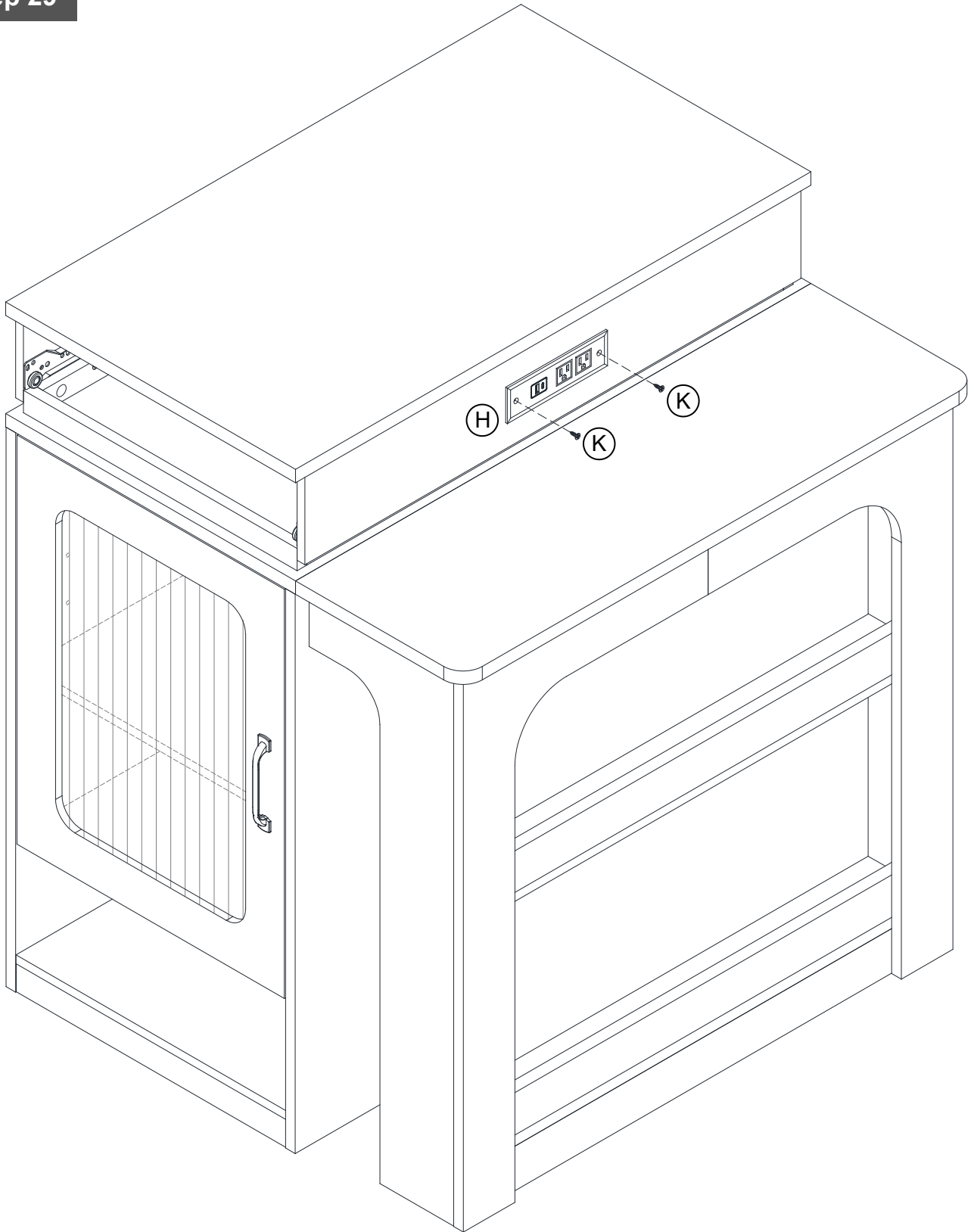
Step 28



Pivot x 4

Assembly Instructions

Step 29



H



Pulley x 1

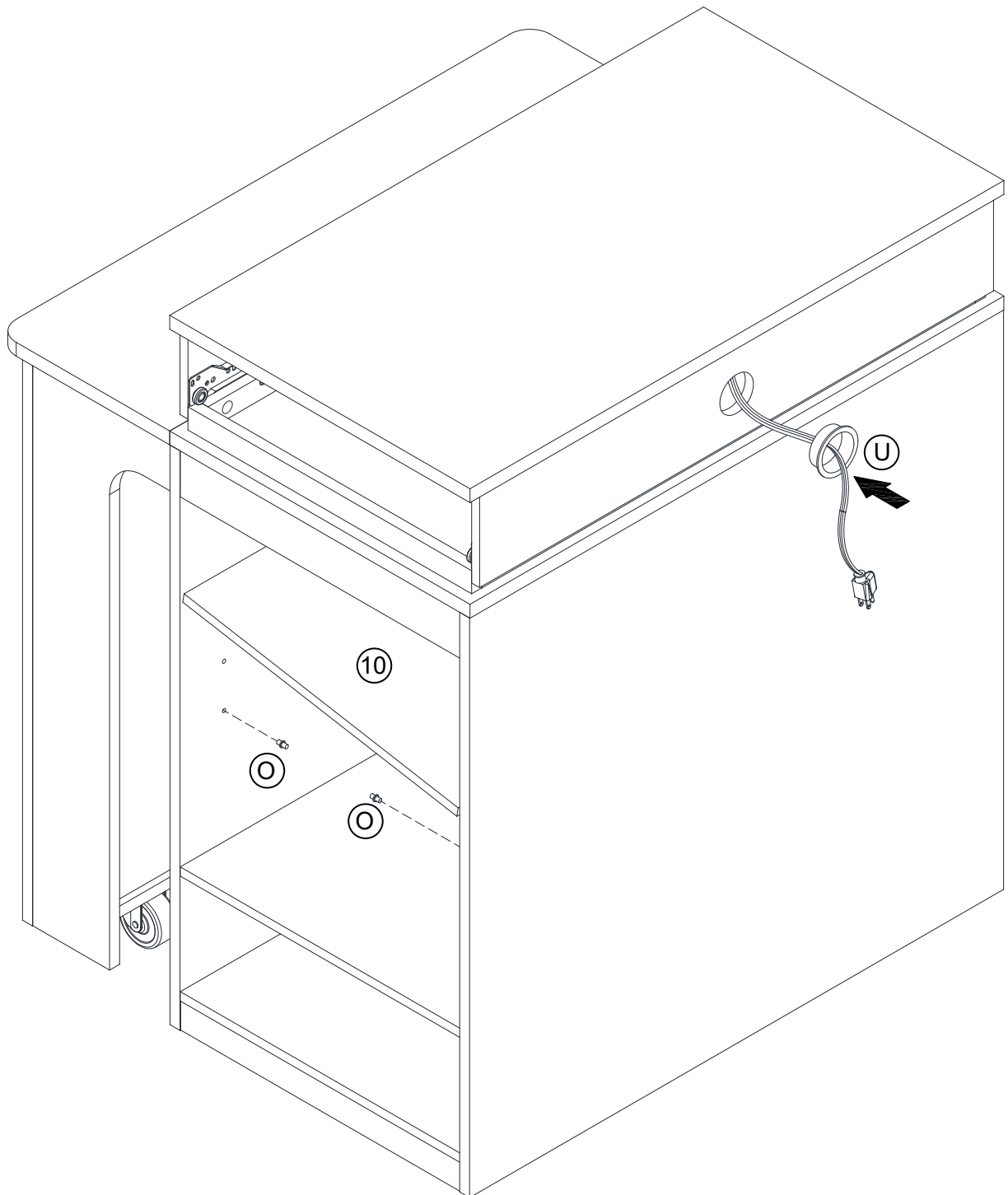
K



3*12mm Screw x 2

Assembly Instructions

Step 30



⊙



Pivot x 4

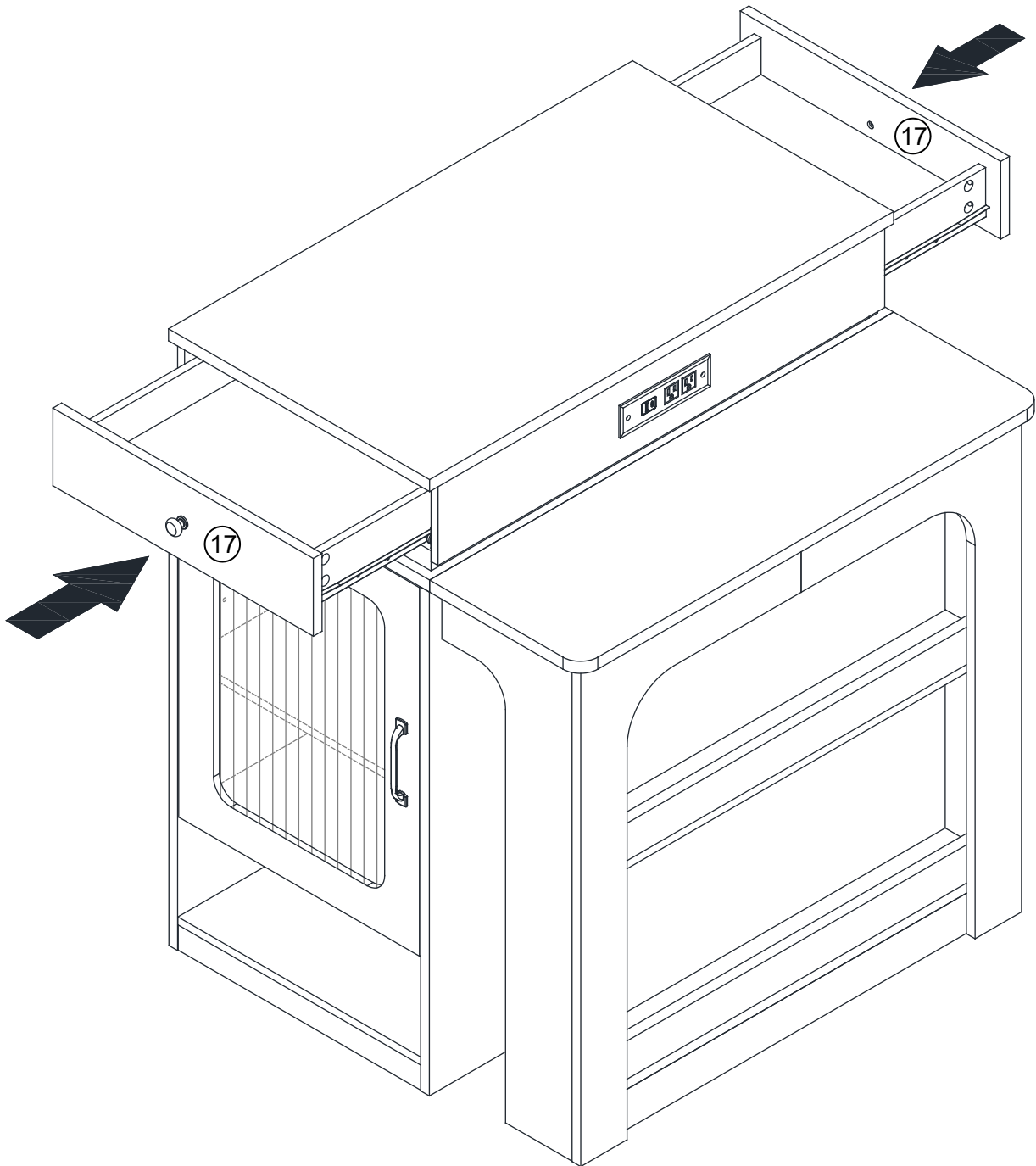
Ⓚ



Outlet cover x 1

Assembly Instructions

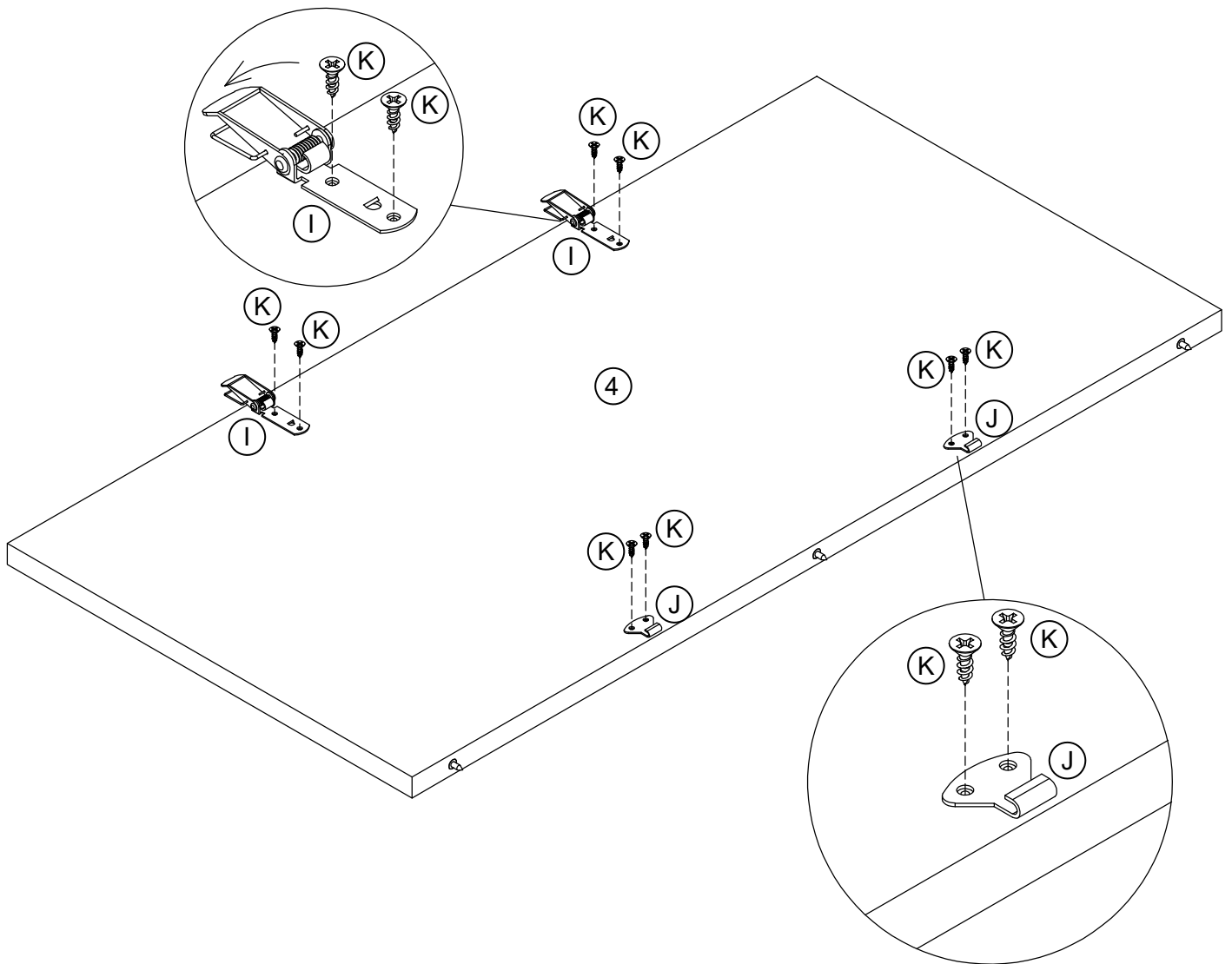
Step 31



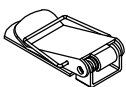
Assembly Instructions

Step 32

x2



I



Spring catch x 4

J



Spring catch x 4

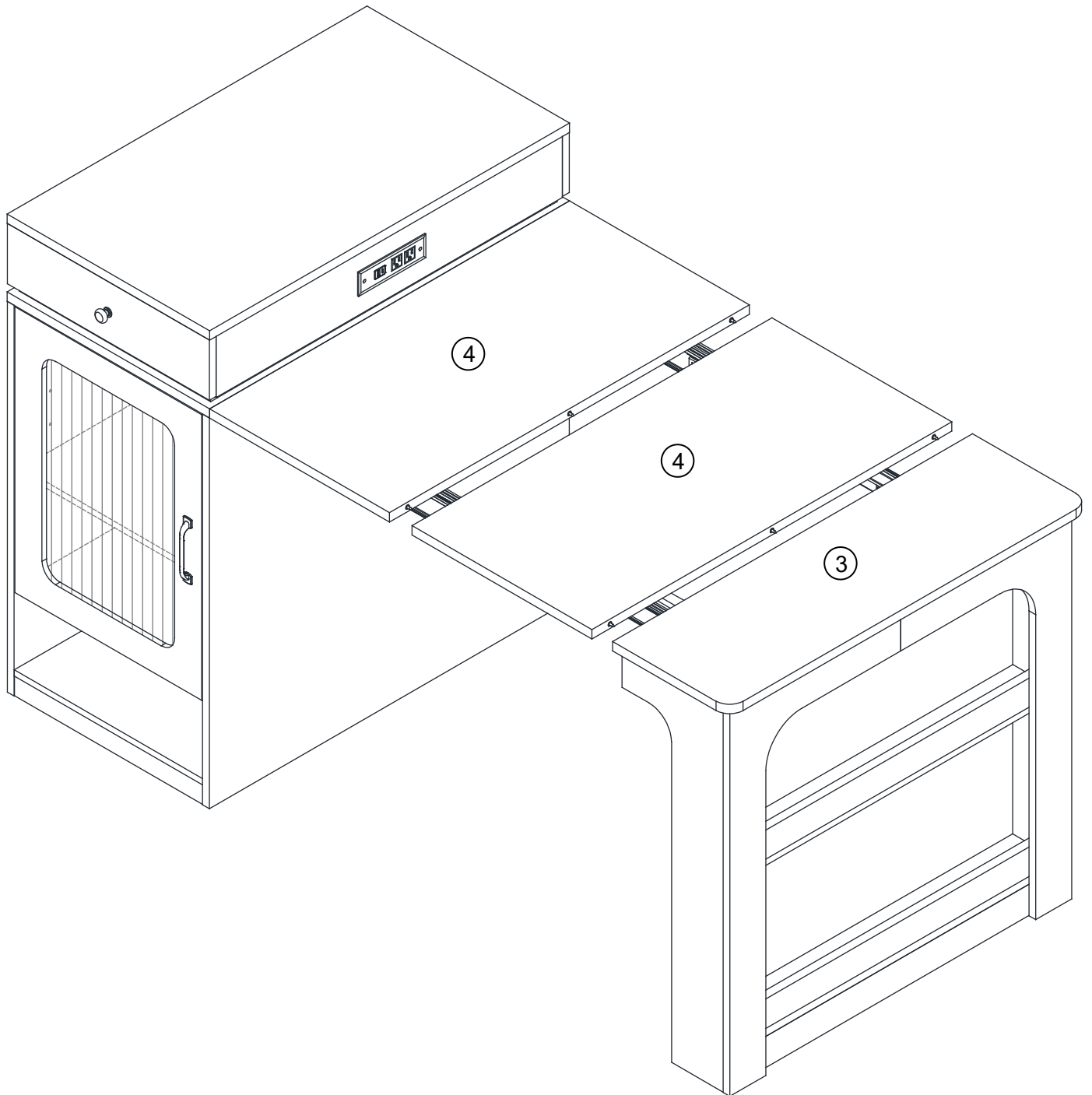
K



3*12mm Screw x 16

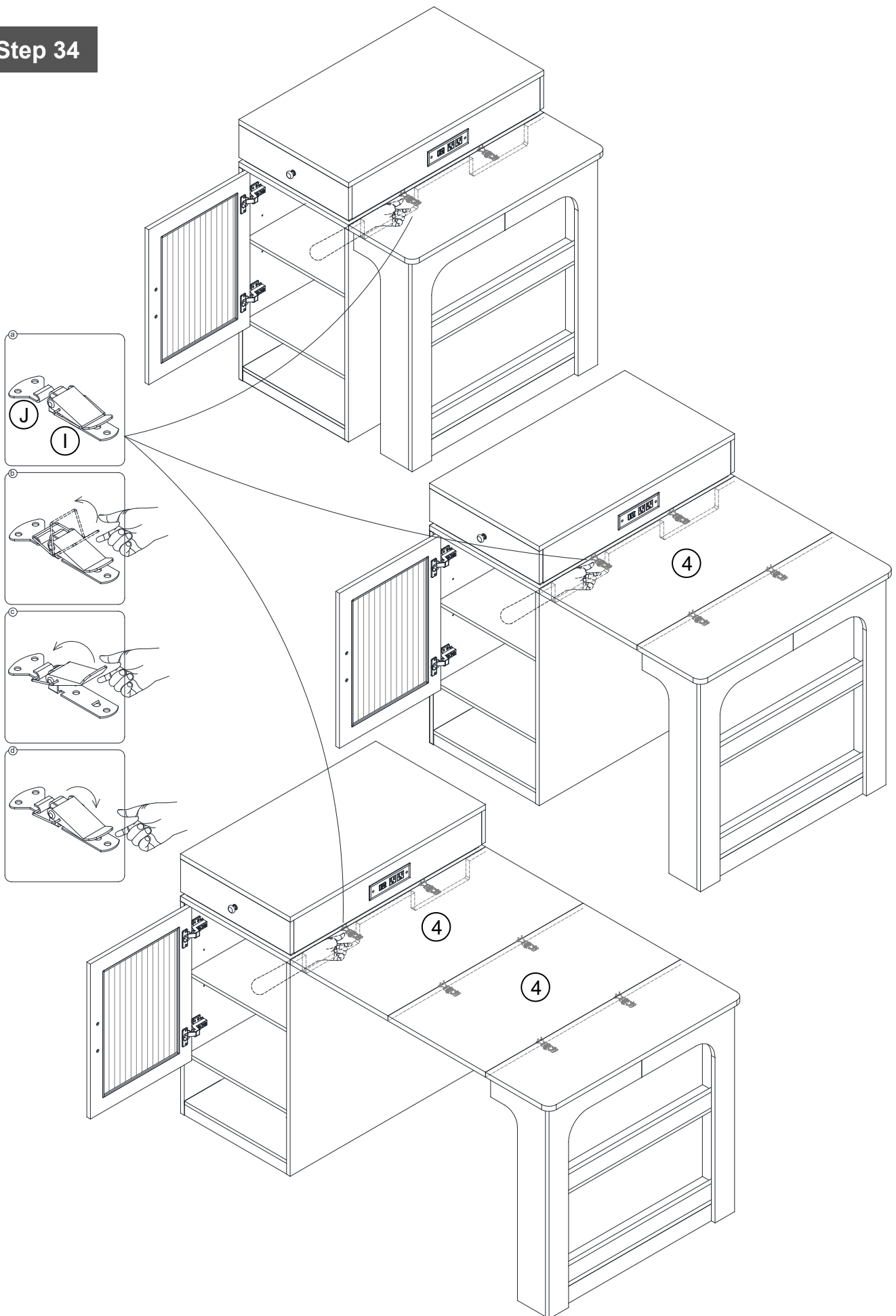
Assembly Instructions

Step 33



Assembly Instructions

Step 34



Assembly Instructions

Step 35

