

Instructions

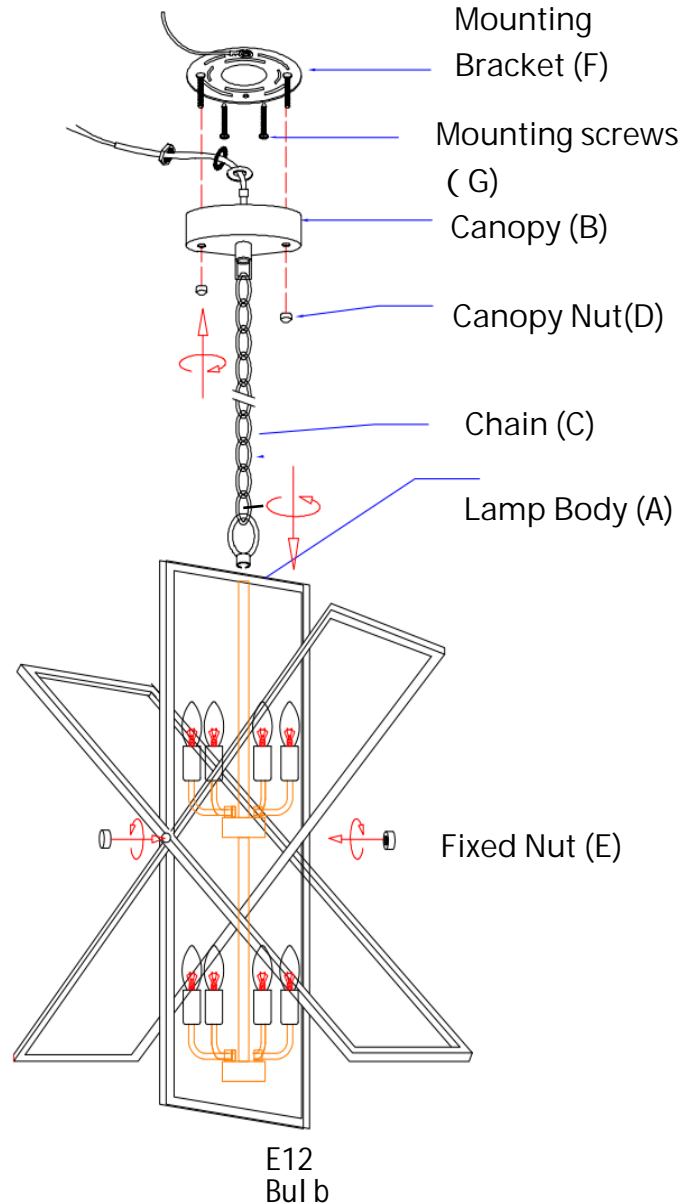
⚠ WARNING



- Check for electric, gas, & plumbing lines before drilling or consult a professional.
- Turn off your electricity at the circuit breaker or main fuse box before installation. Do not restore power to the line until the light has been fully installed.
- Do not use with bulbs exceeding the recommended wattage.
- Always switch off the electricity supply and allow bulbs to cool for 10 minutes before changing it.
- Do not look directly at lit bulb.

ASSEMBLY

It is recommended to use two or more persons during the assembly process.

1. Connect the Lamp Body (a) to Connecting the Chain (C)
2. Select the length required for Connecting Chain (C)
3. Fix the Bracket Mounting (F) to the Junction Box
4. Refer to the Wiring diagram and connect the power cord using Wiring terminals (B) . Pay attention to distinguishing positive and negative Poles
5. Cover the Canopy (b) and tighten them using Canopy Nut (D)
6. After turning the lights on and adjusting them to their preferred position, tighten the Fixed Nut (E)
7. Adjust the lamp head assembly and install the E12 bulb
8. After installation is completed, turn on the power switch and test whether the lighting fixtures are on Due to the large size of the lamp body and the relatively complex installation, it is recommended to have a professional electrician complete it!



d1		x 3
d2		x 2

E12 Socket Max
.60W Bulbs
(not included)

Instructions

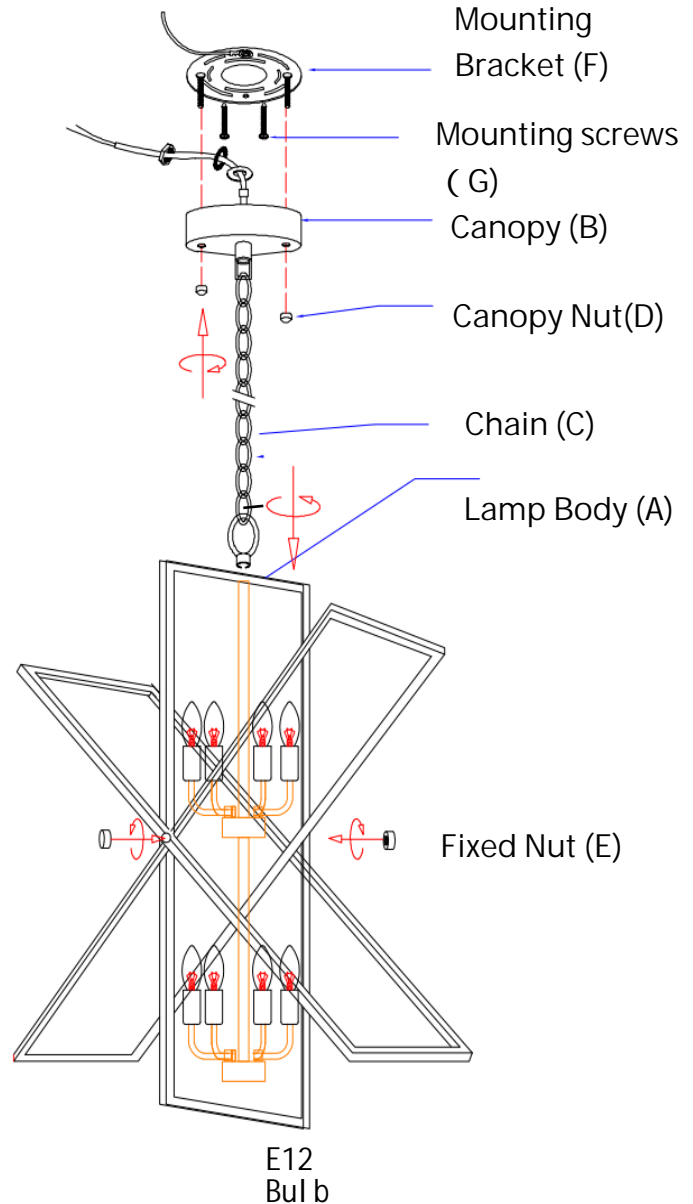
WARNING



- Check for electric, gas, & plumbing lines before drilling or consult a professional.
- Turn off your electricity at the circuit breaker or main fuse box before installation. Do not restore power to the line until the light has been fully installed.
- Do not use with bulbs exceeding the recommended wattage.
- Always switch off the electricity supply and allow bulbs to cool for 10 minutes before changing it.
- Do not look directly at lit bulb.

ASSEMBLY

It is recommended to use two or more persons during the assembly process.

1. Connect the Lamp Body (a) to Connecting the Chain (C)
2. Select the length required for Connecting Chain (C)
3. Fix the Bracket Mounting (F) to the Junction Box
4. Refer to the Wiring diagram and connect the power cord using Wiring terminals (B) . Pay attention to distinguishing positive and negative Poles
5. Cover the Canopy (b) and tighten them using Canopy Nut (D)
6. After turning the lights on and adjusting them to their preferred position, tighten the Fixed Nut (E)
7. Adjust the lamp head assembly and install the E12 bulb
8. After installation is completed, turn on the power switch and test whether the lighting fixtures are on Due to the large size of the lamp body and the relatively complex installation, it is recommended to have a professional electrician complete it!



d1		x 3
d2		x 2

E12 Socket Max
.60W Bulbs
(not included)